



Husqvarna®



KLIPPO LB 448S, KLIPPO LB 453S, KLIPPO LB 448SQ,
KLIPPO LB 453SQ, KLIPPO LB 548SQe

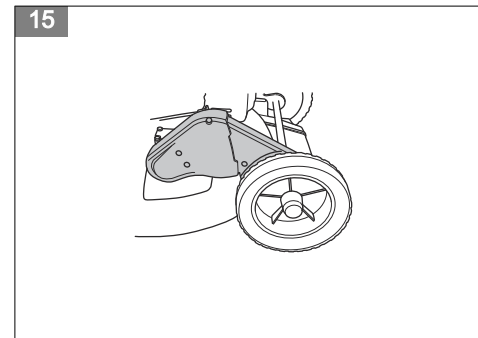
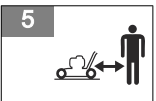
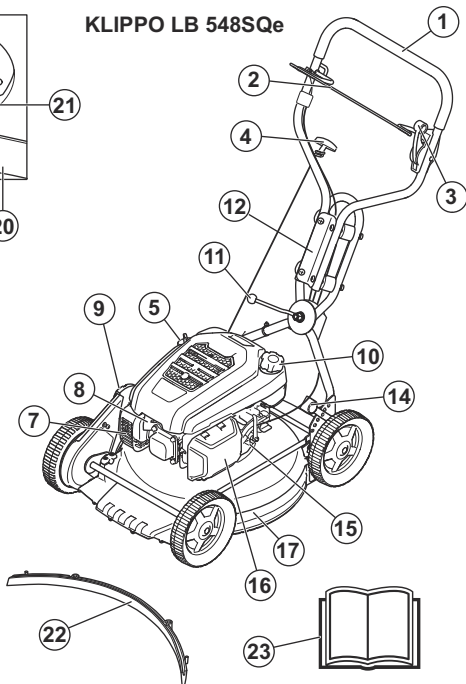
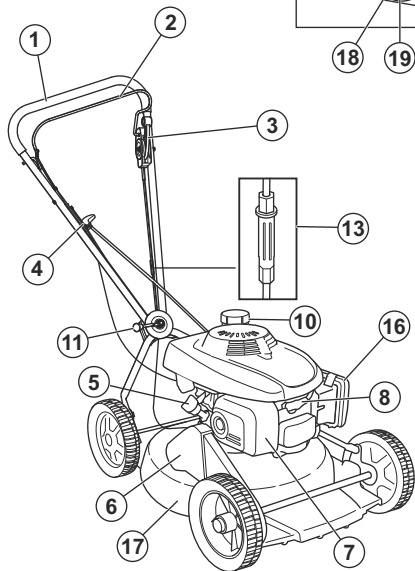


EN	Operator's manual	8-21
BG	Ръководство за експлоатация	22-36
CS	Návod k použití	37-49
DA	Bruksanvisning	50-62
DE	Bedienungsanweisung	63-76
EL	Οδηγίες χρήσης	77-90
ES	Manual de usuario	91-104
ET	Kasutusjuhend	105-117
FI	Käyttöohje	118-130
FR	Manuel d'utilisation	131-144
HR	Priručnik za korištenje	145-157
HU	Használati utasítás	158-170
IT	Manuale dell'operatore	171-184
JA	取扱説明書	185-197
LT	Operatoriaus vadovas	198-210
LV	Lietošanas pamācība	211-223
NL	Gebruiksaanwijzing	224-237
NO	Bruksanvisning	238-250
PL	Instrukcja obsługi	251-264
PT	Manual do utilizador	265-278
RO	Instrucțiuni de utilizare	279-292
RU	Руководство по эксплуатации	293-307
SK	Návod na obsluhu	308-320
SL	Navodila za uporabo	321-333
SR	Priručnik za rukovaoca	334-346
SV	Bruksanvisning	347-359
TR	Kullanım kılavuzu	360-372
UK	Посібник користувача	373-386
ZH	操作手册	387-397

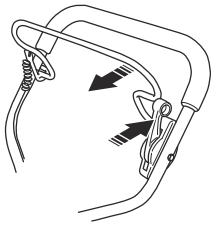
1

KLIPPO LB 448S
KLIPPO LB 448SQ
KLIPPO LB 453S
KLIPPO LB 453SQ

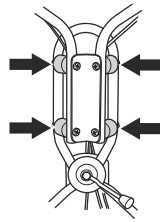
KLIPPO LB 548SQe



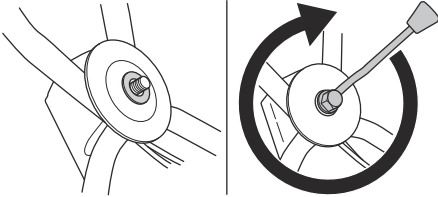
16



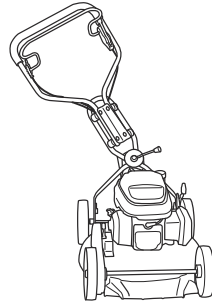
17



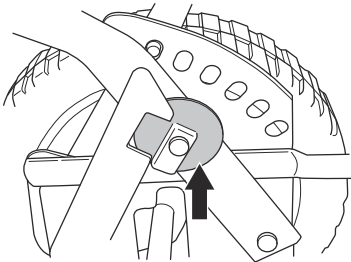
18



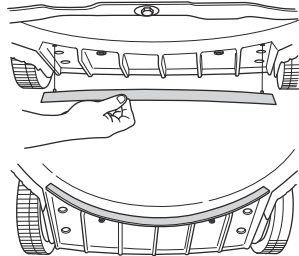
19



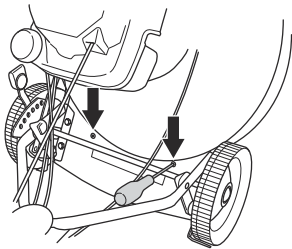
20



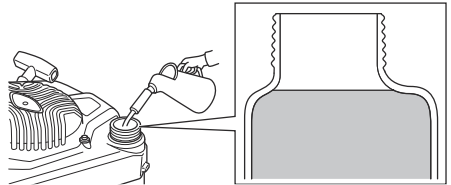
21



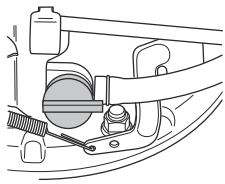
22



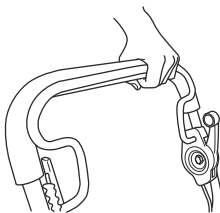
23



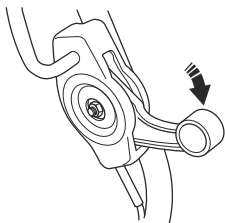
24



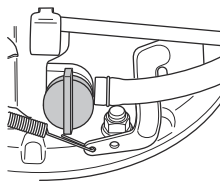
25



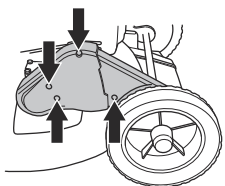
26



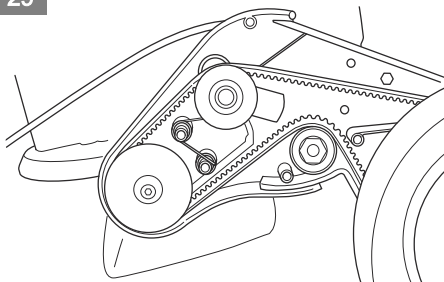
27



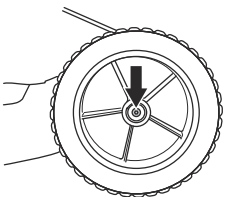
28



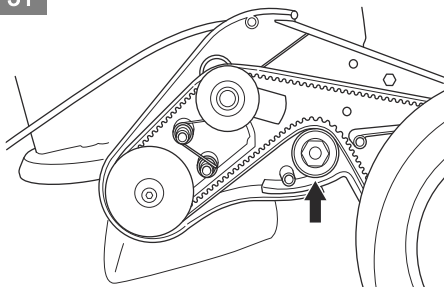
29



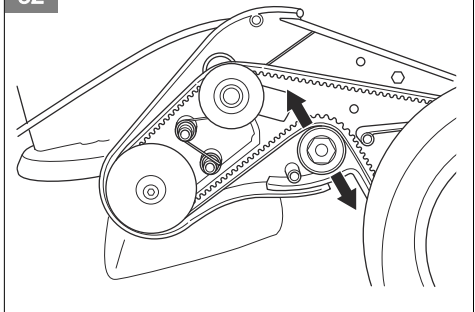
30



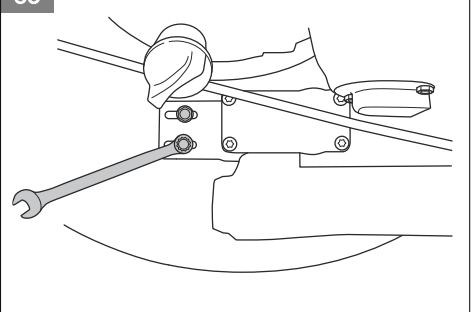
31



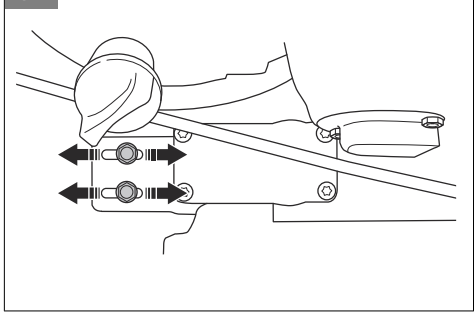
32



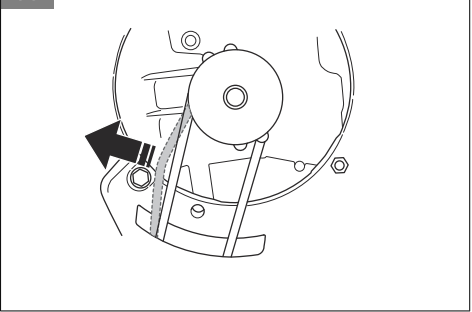
33



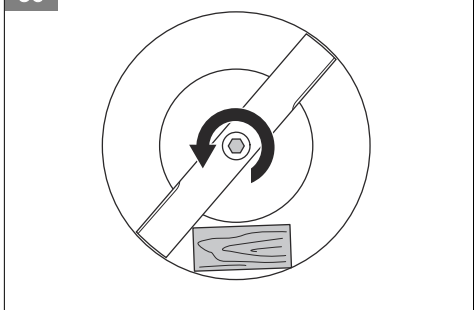
34



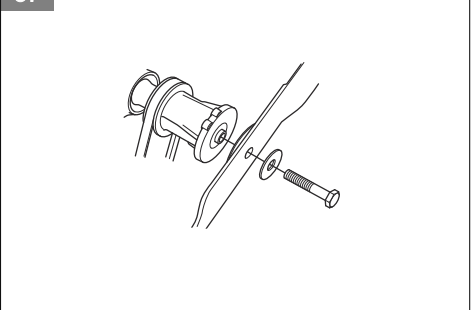
35



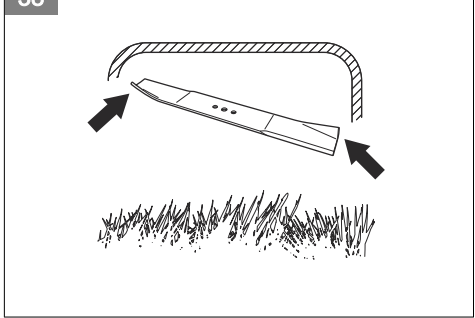
36



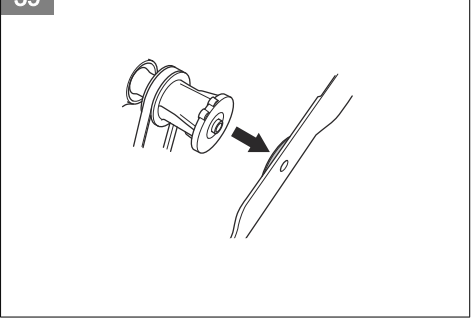
37



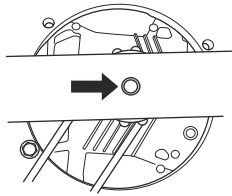
38



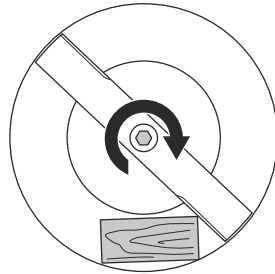
39



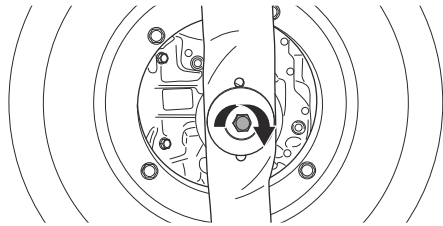
40



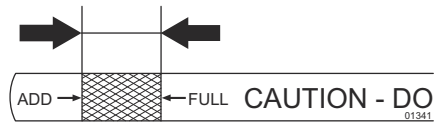
41



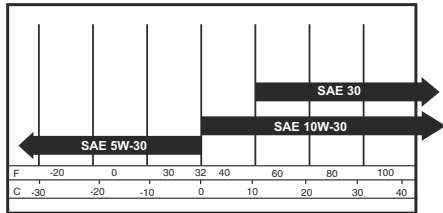
42



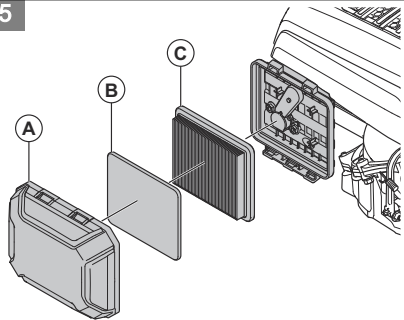
43



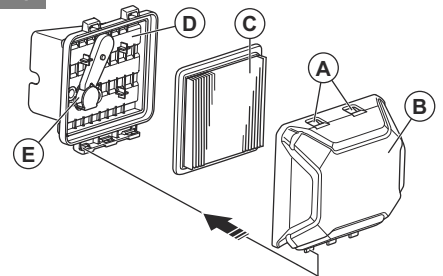
44



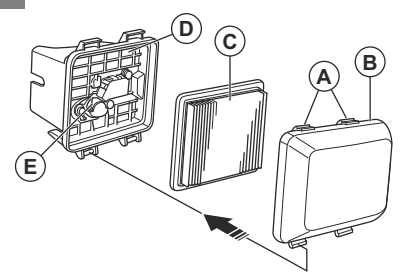
45



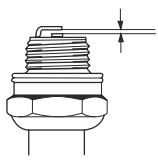
46



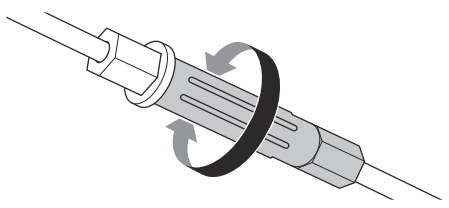
47



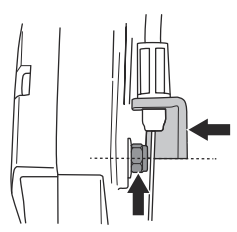
48



49



50



Contents

Introduction.....	8	Maintenance.....	13
Safety.....	9	Transportation, storage and disposal.....	17
Assembly.....	12	Technical data.....	17
Operation.....	12	Declaration of Conformity.....	20

Introduction

Product description

The product is a pedestrian-controlled rotary lawn mower that uses BioClip® to cut the grass into fertilizer.

Product overview

(Fig. 1)

1. Handle / handlebar
2. Engine brake handle
3. Drive lever
4. Starter rope handle
5. Oil cap
6. Belt guard
7. Muffler
8. Spark plug
9. Belt guard
10. Fuel tank
11. Lever for angle adjustment of the handle
12. Vibration damping system
13. Clutch wire adjustment
14. Cutting height lever
15. Fuel valve
16. Air filter
17. Cutting cover
18. Spring washer
19. Blade bolt
20. Blade
21. Blade support
22. Mulch plug KLIPPO LB 448S, KLIPPO LB 448SQ, KLIPPO LB 548SQe
23. Operator's manual

Symbols on the product

- (Fig. 2) WARNING: Careless or incorrect use can result in injury or death to the operator or others.
- (Fig. 3) Please read the operator's manual carefully and make sure that you understand the instructions before use.
- (Fig. 4) Look out for thrown objects and ricochets.

Intended use

Use the product to cut grass. Do not use the product for other tasks.

- (Fig. 5) Keep persons and animals at a safe distance from the work area.
- (Fig. 6) Stop the engine and remove the ignition cable before repairs or maintenance.
- (Fig. 7) Warning: Keep hands and feet away from rotating parts.
- (Fig. 8) Warning: Keep hands and feet away from the rotating blade.
- (Fig. 9) This product is in accordance with applicable EC directives.
- (Fig. 10) This product conforms to applicable UK regulations.
- (Fig. 11) The product agrees with applicable Eurasian Customs Union directives. Only valid for KLIPPO LB 448S & KLIPPO LB 453S.
- (Fig. 12) Noise emission to the environment label as per EU and UK directives and regulations, and New South Wales legislation "Protection of the Environment Operations (Noise Control) Regulation 2017". The guaranteed sound power level of the product is specified in *Technical data on page 17* and on the label.
- (Fig. 13) Scannable code.

Note: Other symbols/decals on the product refer to market specific legal requirements.

Decal on the product, for Australia and New Zealand only

(Fig. 14)

Keep hands and feet away from the rotating blade.

Euro V Emissions



WARNING: Tampering with the engine voids the EU type-approval of this product.

Product liability

As referred to in the product liability laws, we are not liable for damages that our product causes if:

- the product is incorrectly repaired.
- the product is repaired with parts that are not from the manufacturer or not approved by the manufacturer.
- the product has an accessory that is not from the manufacturer or not approved by the manufacturer.
- the product is not repaired at an approved service center or by an approved authority.

Safety

Safety definitions

Warnings, cautions and notes are used to point out specially important parts of the manual.



WARNING: Used if there is a risk of injury or death for the operator or bystanders if the instructions in the manual are not obeyed.



CAUTION: Used if there is a risk of damage to the product, other materials or the adjacent area if the instructions in the manual are not obeyed.

Note: Used to give more information that is necessary in a given situation.

General safety instructions



WARNING: Read the warning instructions that follow before you use the product.

- This product is dangerous if used incorrectly or if you are not careful. Injury or death can occur if you do not obey the safety instructions.
- This product produces an electromagnetic field during operation. This field may under some circumstances interfere with active or passive medical implants. To reduce the risk of serious or fatal injury we recommend persons with medical implants to consult their physician and the medical implant manufacturer before operating this product.
- Always be careful and use your common sense. If you are not sure how to operate the product in a special situation, stop and speak to your Husqvarna dealer before you continue.
- Keep in mind that the operator will be held responsible for accidents that involve other persons or their property.

- Keep the product clean. Make sure that you can clearly read signs and decals.
- Do not let a person use the product unless you make sure that they read and understand the contents of the operator's manual.
- Do not let a child operate the product.
- Keep children away from the work area. A responsible adult must be there at all times.
- Do not let a person, without knowledge of the instructions, operate the product.
- Always monitor a person, with decreased physical capacity or mental capacity, that uses the product. A responsible adult must be there at all times.
- Do not use the product if you are tired, ill, or under the influence of alcohol, drugs or medicine. This has a negative effect on your vision, alertness, coordination and judgment.
- Do not use a product that is damaged or does not operate correctly.
- Do not change this product or use it if it is possible that it has been changed by others.
- Do not change the adjustment for the engine speed control.

Work area safety



WARNING: Read the warning instructions that follow before you use the product.

- Remove objects such as branches, twigs and stones from the work area before you use the product.
- Objects that hit against the cutting equipment can eject and cause damage to persons and objects. Keep bystanders and animals at a safe distance from the product.
- Never use the product in bad weather such as fog, rain, strong winds, intense cold and risk of lightning. To use the product in bad weather or in moist or wet locations is tiring. Bad weather can cause dangerous conditions, such as slippery surfaces.
- Look out for persons, objects and situations that can prevent safe operation of the product.

- Look out for obstacles, such as roots, stones, twigs, pits and ditches. Long grass can hide obstacles.
- To cut grass on slopes can be dangerous. Do not use the product on ground that slopes more than 15°.
- Operate the product across the face of slopes. Do not move up and down.
- Be careful when you go near hidden corners and objects that prevent a clear view.

Work safety



WARNING: Read the warning instructions that follow before you use the product.

- Use this product to cut grass lawns only. It is not permitted to use it for other tasks.
- Use personal protective equipment. Refer to *Personal protective equipment on page 10*.
- Make sure that you know how to stop the engine quickly in an emergency.
- Never start the engine in a closed space or near flammable material. The exhaust fumes from the engine are hot and can contain sparks which can start a fire.
- Do not operate the product unless the blade and all covers are attached correctly. An incorrectly attached blade can come loose and cause personal injury.
- Make sure that the blade does not hit objects such as stones and roots. This can do damage to the blade and bend the engine shaft. A bent axle causes heavy vibration and a very high risk that the blade becomes loose.
- If the blade hits an object or if vibrations occur, stop the product immediately. Disconnect the ignition cable from the spark plug. Examine the product for damages. Repair damages or let an authorised service agent do the repair.
- Never attach the engine brake handle permanently to the handle when the engine is started.
- Put the product on a stable, flat surface and start it. Make sure that the blade does not hit the ground or other objects.
- Always stay behind the product when you operate it.
- Let all the wheels stay on the ground and keep 2 hands on the handle when you operate the product. Keep your hands and feet away from the rotating blades.
- Do not tilt the product when the engine is started.
- Be careful when you pull the product rearward.
- Never lift up the product when the engine is started. If you must lift the product, first stop the engine and disconnect the ignition cable from the spark plug.
- Do not walk rearward when you operate the product.

- Stop the engine when you move across areas without grass, for example paths made of gravel, stone and asphalt.
- Do not run with the product when the engine is started. Always walk when you operate the product.
- Stop the engine before you change the cutting height. Never make adjustments with the engine started.
- Never let the product stay out of view with the engine started. Stop the engine and make sure that the cutting equipment does not rotate.

Safety instructions for operation

Personal protective equipment



WARNING: Read the warning instructions that follow before you use the product.

- Personal protective equipment cannot fully prevent injury but it decreases the degree of injury if an accident does occur. Let your dealer help you select the right equipment.
- Use hearing protection if the noise level is higher than 85 dB.
- Use heavy-duty slip-resistant boots or shoes. Do not use open shoes or go with bare feet.
- Use heavy, long pants.
- Use protective gloves when necessary, for example when you attach, examine or clean the cutting equipment.

Safety devices on the product



WARNING: Read the warning instructions that follow before you use the product.

- Do not use a product with safety devices that are damaged or do not operate correctly.
- Do a check of the safety devices regularly. If the safety devices are damaged or do not operate correctly, speak to your Husqvarna service agent.
- Do not make modifications to safety devices.

To do a check of the cutting cover

The cutting cover decreases vibrations in the product and decreases the risk of injury from the blade.

- Examine the cutting cover to make sure that there are no damages such as cracks.

To do a check of the belt guard

The belt guard decreases the risk of injury and makes sure that a broken drive belt does not eject.

- Make sure that the belt guard does not have damages and that it is correctly attached. (Fig. 15)

Engine brake handle

The engine brake handle stops the engine. When the engine brake handle is released, the engine stops.

To do an inspection of the engine brake, start the engine and then release the engine brake handle. If the engine does not stop in 3 seconds, let an approved Husqvarna service agent adjust the engine brake.

(Fig. 16)

To do a check of the vibration damping system



WARNING: Overexposure to vibration can cause circulatory damage or nerve damage to persons with decreased blood circulation. Get medical aid if you have symptoms of overexposure to vibration. These symptoms include numbness, loss of feeling, tingling, pricking, pain, loss of strength, changes in skin color or condition. These symptoms usually show in the fingers, hands or wrists.

The vibration damping system decreases vibration in the handle during operation.

The steel tube in the handlebar and the cutting cover decrease vibration. KLIPPO LB 548Sqe also has 4 vibration damping units attached to the handlebar.

- Examine the handlebar and the vibration damping units to make sure that there are no damages. (Fig. 17)

Blade support

The blade support decreases the risk that the engine shaft bends. If the blade hits an object, the blade moves against the blade support. The movement causes wear on the surface of the blade support. The wear shows that the protection of the engine shaft functions correctly.

Muffler

The muffler keeps the noise levels to a minimum and sends the exhaust fumes away from the operator.

Do not use the product if the muffler is missing or damaged. A damaged muffler increases the noise level and the risk of fire.



WARNING: The muffler becomes very hot during and after use and when the engine operates at idle speed. Be careful near flammable materials and/or fumes to prevent fire.

To do a check of the muffler

- Examine the muffler regularly to make sure that it is attached correctly and not damaged.

Fuel safety



WARNING: Read the warning instructions that follow before you use the product.

- Do not start the product if there is fuel or engine oil on the product. Remove the unwanted fuel/oil and let the product dry.
- If you spill fuel on your clothing, change clothing immediately.
- Do not get fuel on your body, it can cause injury. If you get fuel on your body, use soap and water to remove the fuel.
- Do not start the product if the engine has a leak. Examine the engine for leaks regularly.
- Be careful with fuel. Fuel is flammable and the fumes are explosive and can cause injuries or death.
- Do not breathe in the fuel fumes, it can cause injury. Make sure that there is a sufficient airflow.
- Do not smoke near the fuel or the engine.
- Do not put warm objects near the fuel or the engine.
- Do not add the fuel when the engine is on.
- Make sure that the engine is cool before you refuel.
- Before you refuel, open the fuel tank cap slowly and release the pressure carefully.
- Do not add fuel to the engine in an indoor area. Not sufficient airflow can cause injury or death because of asphyxiation or carbon monoxide.
- Tighten the fuel tank cap fully. If the fuel tank cap is not tightened, there is a risk of fire.
- Move the product a minimum of 3 m / 10 ft from the position where you filled the tank before a start.
- Do not fill the fuel tank fully. Heat causes the fuel to expand. Keep a space at the top of the fuel tank.

Safety instructions for maintenance



WARNING: Read the warning instructions that follow before you use the product.

- The exhaust fumes from the engine contain carbon monoxide, an odourless, poisonous and very dangerous gas. Do not start the engine indoors or in closed spaces.
- Before you do the maintenance on the product, stop the engine and remove the ignition cable from the spark plug.
- Use protective gloves when you do maintenance on the cutting equipment. The blade is very sharp and cuts can easily occur.
- Accessories and changes to the product that are not approved by the manufacturer, can cause serious injury or death. Do not change the product. Always use accessories that are approved by the manufacturer.

- If the maintenance is not done correctly and regularly, the risk of injury and damage to the product increases.
- Only do the maintenance as given in this owner's manual. All other servicing must be done by an approved Husqvarna service agent.

- Let an approved Husqvarna service agent do servicing on the product regularly.
- Replace damaged, worn or broken parts.

Assembly

Introduction



WARNING: Before you assemble the product, you must read and understand the safety chapter.



WARNING: Remove the spark plug cable from the spark plug before you assemble the product.

To assemble and adjust the handle

1. Remove the handle nut and the washer from the plate on the upper handle.
2. Put the upper handle in position on top of the lower handle.



CAUTION: Make sure that the wires are not caught or become damaged.

3. Attach the washer and the handle nut. (Fig. 18)
4. Turn the handle to the side for a good operation position when you operate the product near a wall. (Fig. 19)
5. Turn the adjustment wheels on the chassis to adjust the handle vertically. (Fig. 20)

To assemble the mulch plug (KLIPPO LB 448S, KLIPPO LB 448SQ, KLIPPO LB 548SQe)

1. Tilt the product rearward with the spark plug up.
2. Put the pins of the mulch plug into the holes from the inner side of the cutting cover. (Fig. 21)
3. Attach the screws for the mulch plug from the outer side of the cutting cover. (Fig. 22)

Operation

Introduction



WARNING: Before you operate the product, you must read and understand the safety chapter.

Husqvarna Connect

Husqvarna Connect is a free app for your mobile device. The Husqvarna Connect app gives extended functions for your Husqvarna product:

- Extended product information.
- Information about, and help with, product parts and servicing.

To start to use Husqvarna Connect

1. Download the Husqvarna Connect app on your mobile device.
2. Register in the Husqvarna Connect app.
3. Do the instruction steps in the Husqvarna Connect app to connect and register the product.

Before you operate the product

1. Read the operator's manual carefully and make sure that you understand the instructions.
2. Examine the cutting equipment to make sure that it is correctly attached and adjusted. See *To examine the cutting equipment on page 15*.
3. Fill the fuel tank. See *To fill fuel on page 12*.
4. Fill the oil tank and do a check of the oil level. See *To do a check of the oil level on page 15*.

To fill fuel

If available, use low-emission/alkylate gasoline. If low-emission/alkylate gasoline is not available, use good quality unleaded gasoline or leaded gasoline with octane number not less than 90.



CAUTION: Do not use gasoline with an octane number less than 90 RON (87 AKI). This can cause damage to the product.

1. Open the fuel tank cap slowly to release the pressure.

2. Fill slowly with a fuel can. If you spill fuel, remove it with a cloth and let remaining fuel dry off. (Fig. 23)
3. Clean the area around the fuel tank cap.
4. Tighten the fuel tank cap fully. If the fuel tank cap is not tightened, there is a risk of fire.
5. Move the product a minimum of 3 m (10 ft) from the position where you filled the tank before a start.

To set the cutting height

The cutting height can be adjusted in 6 levels.

1. Move the cutting height lever forward to increase the cutting height.
2. Move the cutting height lever rearward to decrease the cutting height.



CAUTION: Do not set the cutting height too low. The blades can hit the ground if the surface of the lawn is not level.

To start the product

1. Make sure that the ignition cable is connected to the spark plug.
2. Open the fuel valve. (Fig. 24)
3. Stay behind the product.
4. Hold the engine brake handle against the handlebar. (Fig. 25)
5. Hold the starter rope handle with your right hand.
6. Slowly pull out the starter rope until you feel some resistance.
7. Pull with force to start the engine.



WARNING: Do not twist the starter rope around your hand.



CAUTION: Do not extend the starter rope fully. Do not release the starter rope handle when the starter rope is extended.

To use the drive on the wheels

- Push the drive lever down. (Fig. 26)
- Before you pull the product rearward, disengage the drive and push the product forward approximately 10cm.
- Release the engine brake handle a small distance to disengage the drive, for example when you go near an obstacle.

To stop the product

- To stop the drive only, release the engine brake handle a small distance.
- To stop the engine, release the engine brake handle fully.
- Close the fuel valve. (Fig. 27)

To get a good result

- Always use a sharp blade. A blunt blade gives an irregular result and the cut surface of the grass becomes yellow. A sharp blade also uses less energy than a blunt blade.
- Do not cut more than $\frac{1}{3}$ of the length of the grass. Cut first with the cutting height set high. Examine the result and lower the cutting height to an applicable level. If the grass is very long, drive slowly and cut 2 times if necessary.
- Cut in different directions each time to prevent stripes in the lawn.
- Keep the cutting cover clean. Buildup from grass and dirt on the inner side of the cutting cover can decrease the cutting result. Refer to *To clean the product externally on page 14*.

Maintenance

Introduction



WARNING: Before you do maintenance, you must read and understand the safety chapter.

For all servicing and repair work on the product, special training is necessary. We guarantee the availability of professional repairs and servicing. If your dealer is not a service agent, speak to them for information about the nearest service agent.

For more detailed information, refer to www.husqvarna.com.

Maintenance schedule

The maintenance intervals are calculated from daily use of the product. The intervals change if the product is not used daily.

For maintenance identified with * see instructions in *Safety devices on the product on page 10*.

Maintenance	Daily	Weekly	Monthly
Do a general inspection	X		
Examine the oil level	X		

Maintenance	Daily	Weekly	Monthly
Clean the product	X		
Clean the air filter	X		
Examine the cutting equipment	X		
Examine the cutting cover*	X		
Examine the engine brake handle*	X		
Examine the muffler*		X	
Examine the spark plug		X	
Examine the drive belt for damages			X
Clean the gear housing			X
For KLIPPO LB 448S, KLIPPO LB 453S. Replace the oil (the first time after 5 h use, then after each 25 h use and yearly)			X
For KLIPPO LB 448SQ, KLIPPO LB 453SQ, KLIPPO LB 548SQe. Replace the oil (the first time after 5 h use, then after each 100 h use and yearly)			X
Replace the air filter			X
Examine the fuel system			X
Examine and adjust the drive (clutch wire)			X

To do a general inspection

- Make sure that all nuts and screws on the product are tightened correctly.

To clean the product externally

- Use a brush to remove leaves, grass and dirt.
- Make sure that the air intake on the top of the engine is not blocked.
- Do not use a high pressure washer to clean the product.
- If you use water to clean the product, do not flush water directly on the engine.

To clean the inner surface of the cutting cover

1. Put the product on its side with the muffler down.



CAUTION: If the product is put with the air filter down, the engine can become damaged.

2. Hose down the inner surface of the cutting cover with water.

To examine the drive belt and clean the gear housing

1. Remove the 4 screws on the belt guard and remove the belt guard. (Fig. 28)

2. Examine the drive belt and belt pulley for damages.
3. Use a brush to remove leaves, grass and dirt from the gear housing. (Fig. 29)

To replace and adjust the drive belt

1. Remove the 4 screws on the belt guard and remove the belt guard. (Fig. 28)
2. Put a flat screwdriver between the hubcap and the wheel on the right front wheel of the product.
3. Twist the screwdriver carefully to remove the hubcap.
4. Remove the wheel bolt and remove the wheel. (Fig. 30)
5. Remove the drive belt from the belt pulleys.
6. Make sure that the belt pulleys move easily on the axle.
7. If it is necessary, spray penetrating oil between and behind the belt pulleys and lubricate the axle.
8. Install a new drive belt and attach it correctly at the ball bearing before you adjust the drive belt. (Fig. 31)
9. Move the ball bearing up or down to adjust the drive belt. (Fig. 32)

Note: A new drive belt becomes longer after use. Adjust the drive belt again after some hours of operation.

10. Attach the belt guard.

11. Operate the product to make sure that the drive belt is correctly installed and adjusted.

To replace and adjust the center belt

1. Remove the blade.

Note: This step is not necessary when you only adjust the center belt.

2. Loosen the adjustment screws some turns, but do not remove them. (Fig. 33)
3. Replace the center belt and moderately tighten the adjustment screws.

Note: This step is not necessary when you only adjust the center belt.

4. Move the gear forward or rearward to adjust the center belt. (Fig. 34)
5. Use a hook scale to examine the tension of the center belt. The belt has the correct tension when it can move 6–10 mm in the center. That is equal to a pull of 3 kg. (Fig. 35)
6. Tighten the adjustment screws fully with a torque of 3 Nm.
7. Operate the product to make sure that the drive belt is correctly installed and adjusted.

To examine the cutting equipment



WARNING: To prevent accidental start remove the ignition cable from the spark plug.



WARNING: Use protective gloves when you do maintenance on the cutting equipment. The blade is very sharp and cuts can easily occur.

1. Examine the cutting equipment for damage or cracks. Always replace a damaged cutting equipment.
2. Look at the blade to see if it is damaged or blunt.

Note: It is necessary to balance the blade after it is sharpened. Let a service center sharpen, replace and balance the blade. If you hit an obstacle that causes the product to stop, replace the damaged blade. Let the service center estimate if the blade can be sharpened or must be replaced.

To replace the blade

1. Lock the blade with a block of wood. (Fig. 36)
2. Remove the blade bolt, the spring washer and the blade. (Fig. 37)

3. Examine the blade support and blade bolt for damages.
 - a) If you replace the blade or the blade support, also replace the blade bolt, the spring washer and the friction washer.
4. Examine the engine shaft to make sure that it is not bent.
5. When you attach the new blade, make sure that the bent ends point in the direction of the cutting cover. (Fig. 38)
6. Put the friction washer and the blade against the blade support. (Fig. 39)
7. Make sure that the blade aligns with the center of the engine shaft. (Fig. 40)
8. Lock the blade with a block of wood. (Fig. 41)
9. Attach the spring washer and tighten the bolt with a torque of 80 Nm. (Fig. 42)
10. Pull the blade around by hand and make sure that it turns freely.



WARNING: Use protective gloves. The blade is very sharp and cuts can easily occur.

11. Start the product to do a test of the blade. If the blade is not correctly attached, there is vibration in the product or the cutting result is unsatisfactory.

To do a check of the oil level



CAUTION: A too low oil level can do damage to the engine. Do a check of the oil level before you start the product.

1. Put the product on level ground.
2. Remove the oil tank cap with the attached dipstick.
3. Clean the oil from the dipstick.
4. Put the dipstick fully into the oil tank. Tighten the oil tank cap to make sure to give a correct picture of the oil level.
5. Remove the dipstick.
6. Examine the oil level on the dipstick.
7. If the oil level is low, fill with engine oil and do a check of the oil level again.

(Fig. 43)

Note: Use a funnel to prevent spill.

To replace the engine oil



WARNING: Engine oil is very hot directly after the engine is stopped. Let the engine become cool before you drain the

engine oil. If you spill engine oil on your skin, clean with soap and water.

A damaged air filter causes damage to the engine.

(Fig. 44)

1. Remove the ignition cable from the spark plug.
2. Remove the oil tank cap.
3. Drain the engine oil.
 - a) For models with an oil drain plug: Put a container below the oil drain plug, to collect the engine oil in.
 - b) For models without an oil drain plug or if it is not possible to put a container below the oil drain plug: Use an oil pump (accessory) to drain the engine oil from the oil tank.
4. Fill with new engine oil of the type recommended in *Technical data on page 17*.
5. Do a check of the oil level. Refer to *To do a check of the oil level on page 15*.

1. Push the latch tabs (A), remove the air filter cover (B) and remove the air filter (C). (Fig. 46)
2. Hit the air filter against a hard surface or blow compressed air through the air filter from the clean side of the air filter.



CAUTION: Do not use a brush to remove dirt as this pushes the dirt into the air filter.

3. Clean the air filter holder (D) and the air filter cover with a moist cloth.



CAUTION: Make sure that no dirt goes into the air duct (E).

4. Install the air filter. Make sure that the air filter fully seals against the air filter holder.
5. Install the air filter cover with the bottom tabs first.

To clean the air filter (KLIPPO LB 448S, KLIPPO LB 453S)



CAUTION: Do not operate the engine without an air filter attached or if the air filter is dirty.



CAUTION: Replace the air filter if it cannot be fully cleaned or if it is damaged. A damaged air filter causes damage to the engine.

1. Push the latch tabs (A), remove the air filter cover (B) and remove the air filter (C). (Fig. 47)
2. Hit the air filter against a hard surface or blow compressed air through the air filter from the clean side of the air filter.



CAUTION: Do not use a brush to remove dirt as this pushes the dirt into the air filter.

3. Clean the air filter holder (D) and the air filter cover with a moist cloth.



CAUTION: Make sure that no dirt goes into the air duct (E).

4. Install the air filter. Make sure that the air filter fully seals against the air filter holder.
5. Install the air filter cover with the bottom tabs first.



WARNING: Use protective gloves.

1. Push the clips on the air filter cover.
2. Carefully remove the air filter cover (A) from the engine.
3. Remove the air filter (B) and the foam filter (C). (Fig. 45)
4. Examine the air filter for damages. Replace a damaged air filter.
5. Clean and examine the air filter. Refer to *To clean the air filter (KLIPPO LB 448SQ, KLIPPO LB 453SQ, KLIPPO LB 548Qe) on page 16*.
6. Install in the opposite sequence.

To clean the air filter (KLIPPO LB 448SQ, KLIPPO LB 453SQ, KLIPPO LB 548Qe)



CAUTION: Do not operate the engine without an air filter attached or if the air filter is dirty.



CAUTION: Replace the air filter if it cannot be fully cleaned or if it is damaged.

To examine the spark plug



CAUTION: Always use the recommended spark plug type. Incorrect spark plug type can cause damage to the product.

- Examine the spark plug if the engine is low on power, is not easy to start or does not operate correctly at idle speed.
- To decrease the risk of unwanted material on the spark plug electrodes, obey these instructions:
 - a) Make sure that the idle speed is correctly adjusted.
 - b) Make sure that the fuel mixture is correct.
 - c) Make sure that the air filter is clean.
- If the spark plug is dirty, clean it and make sure that the electrode gap is correct, refer to *Technical data on page 17*. (Fig. 48)

- Replace the spark plug if it is necessary.

To examine the fuel system

- Examine the fuel tank cap and the seal for the fuel tank cap to make sure that there are no damages.
- Examine the fuel hose to make sure that there are no leaks. If the fuel hose is damaged, let a service agent replace it.

To adjust the clutch wire

If the drive feels slow, it is necessary to adjust the clutch wire.

- Turn the adjuster screw. (Fig. 49)

The clutch wire is correctly adjusted when the clutch wire bracket aligns with the nut.

(Fig. 50)

Transportation, storage and disposal

Transportation and storage

- For storage and transportation of the product and fuel, make sure that there are no leaks or fumes. Sparks or open flames, for example from electrical devices or boilers, can start a fire.
- Always use approved containers for storage and transportation of fuel.
- Empty the fuel tank before you put the product in storage for a long period of time. Discard the fuel at an applicable disposal location
- Safely attach the product during transportation to prevent damage and accidents.

- Keep the product in a locked area to prevent access for children or persons that are not approved.
- Keep the product in a dry and frost free area.

Disposal

- Obey the local recycling requirements and applicable regulations.
- Discard all chemicals, such as engine oil or fuel, at a service center or at an applicable disposal location.
- When the product is no longer in use, send it to a Husqvarna dealer or discard it at a recycling location.

Technical data

Technical data

	KLIppo LB 448S	KLIppo LB 448SQ	KLIppo LB 453S	KLIppo LB 453SQ	KLIppo LB 548SQe
Engine					
Brand	Honda	Husqvarna	Honda	Husqvarna	Husqvarna
Model	GCVX-145	HS 166AP	GCVx-170	HS 166AP	HS 166AP
Engine type	Single cylinder, 4-Stroke, Forced Air Cooling, OHV	Single cylinder, 4-Stroke, Forced Air Cooling, OHV	Single cylinder, 4-Stroke, Forced Air Cooling, OHV	Single cylinder, 4-Stroke, Forced Air Cooling, OHV	Single cylinder, 4-Stroke, Forced Air Cooling, OHV
Displacement, cm ³	145	166	166	166	166
Speed, rpm	2900	2900	2900	2900	2900

	KLIPPO LB 448S	KLIPPO LB 448SQ	KLIPPO LB 453S	KLIPPO LB 453SQ	KLIPPO LB 548SQe
Nominal engine output, kW ¹	2.7	2.75	3.3	2.75	2.75
Ignition system					
Spark plug	NGK BPR5ES	Husqvarna HQT-7	NGK BPR5ES	Husqvarna HQT-7	Husqvarna HQT-7
Electrode gap, mm	0.7–0.8	0.7-0.8	0.7–0.8	0.7-0.8	0.7-0.8
Fuel and lubrication system					
Engine lubrication type	Splash	Splash	Splash	Splash	Splash
Fuel tank capacity, litre	0.9	1.5	0.9	1.5	1.5
Oil tank capacity, litre	0.5	0.5	0.55	0.5	0.5
Engine oil ²	Husqvarna SAE 30	Husqvarna SAE 30	Husqvarna SAE 30/SAE 10W-30	Husqvarna SAE 30/SAE 10W-30	Husqvarna SAE 30/SAE 10W-30
Weight					
With empty tanks, kg	30.5	32.5	33	33.5	34.5
Noise emissions ³					
Sound power level, measured dB (A)	90	93	91	94	92
Sound power level, guaranteed L _{WA} dB (A)	91	93	94	95	93
Sound levels ⁴					
Sound pressure level at the op- erator's ear, dB (A)	77	79	78	81	79
Vibration levels, a_{hveq} ⁵					
Handle, m/s ²	4.5	4.2	5.3	6.4	4.0
Cutting equipment					
Cutting height, mm	30–60	30–60	30–60	30–60	30–60
Cutting width, mm	480	480	530	530	480

¹ The power rating of the engine indicated is the average net output (at specified rpm) of a typical production engine for the engine model measured to SAE standard J1349/ISO1585. Mass production engines may differ from this value. Actual power output for the engine installed on the final product will depend on the operating speed, environmental conditions and other values.

² If SAE-30 oil is used at temperature lower than +5 °C, there is a risk that it does not lubricate the engine sufficiently. This can cause engine damage. Refer to *To replace the engine oil on page 15* for the correct oil for low temperatures.

³ Noise emissions in the environment measured as sound power (L_{WA}) in conformity with EC directive 2000/14/EC.

⁴ Noise pressure level according to ISO 5395. Reported data for noise pressure level has a typical statistical dispersion (standard deviation) of 1.2 dB (A).

⁵ Vibration level according to ISO 5395. Reported data for vibration level has a typical statistical dispersion (standard deviation) of 0.2 m/s².

	KLIPPO LB 448S	KLIPPO LB 448SQ	KLIPPO LB 453S	KLIPPO LB 453SQ	KLIPPO LB 548SQe
Blade	Mulch - 48 cm 5028813-10	Mulch - 48 cm 5028813-10	Mulch - 53 cm 5028814-10	Mulch - 53 cm 5028814-10	Mulch - 48 cm 5028813-10
Drive					
Speed, km/h	4.5	4.5	4.5	4.5	4.5

Declaration of Conformity

EU Declaration of conformity

We, **Husqvarna AB**, SE-561 82 Huskvarna, Sweden, tel: +46-36-146500, declare on our sole responsibility that the product:

Description	Lawn mower
Brand	Husqvarna
Type / Model	KLIPPO LB 448S, KLIPPO LB 453S, KLIPPO LB 448SQ, KLIPPO LB 453SQ, KLIPPO LB 548SQe
Identification	Serial numbers dating from 2022 and onwards

complies fully with the following EU directives and regulations:

Directive/Regulation	Description
2006/42/EC	"relating to machinery"
2014/30/EU	"relating to electromagnetic compatibility"
2000/14/EC	"relating to the noise emissions in the environment"
2011/65/EU	"on the restriction of the use of certain hazardous substances in electrical and electronic equipment"

and that the following standards and/or technical specifications are applied: EN ISO 5395-1:2013/A1:2018, EN ISO 5395-2:2013/A1:2016/A2:2017, EN ISO 14982:2009, EN IEC 63000:2018.

Notified body: 0404, RISE SMP Svensk Maskinprovning AB, Box 4053, SE-904 03 Umeå, Sweden. has certified conformity with the council's directive 2000/14/EC, conformity assessment procedure: Annex VI.

For information relating to noise emissions, refer to *Technical data on page 17.*

Huskvarna, 2023-02-07



Claes Losdal, Development Manager/Garden Products, Husqvarna AB

Responsible for technical documentation



UK Declaration of Conformity

We, **Husqvarna AB**, SE-561 82 Huskvarna, Sweden, tel: +46-36-146500, declare on our sole responsibility that the product:

Description	Lawn Mower
Brand	Husqvarna
Type / Model	KLIPPO LB 448S, KLIPPO LB 453S, KLIPPO LB 448SQ, KLIPPO LB 453SQ, KLIPPO LB 548SQe
Identification	Serial numbers dating from 2022 and onwards

complies fully with the following UK regulations:

Description
The Restriction of the Use of Certain Hazardous Substances in Electrical and Electronic Equipment Regulations 2012
The Supply of Machinery (Safety) Regulations 2008
Electromagnetic Compatibility Regulations 2016
The Noise Emission in the Environment by Equipment for use Outdoors Regulations 2001, schedule 9

and that the following standards and/or technical specifications are applied: EN ISO 5395-1:2013/A1:2018, EN ISO 5395-2:2013/A1:2016/A2:2017, EN ISO 14982:2009, EN IEC 63000:2018

UK Importer:
Husqvarna UK Ltd
Preston Road, Co. Durham
DL5 6UP

Approved Body: 0888, HORIBA MIRA Certification Ltd. Watling Street, Nuneaton, Warwickshire, CV10 0TU, UK, has carried out certified conformity according to the Outdoor Noise Regulations of 2001, conformity assessment procedure: Schedule 9.

For information relating to noise emissions, refer to *Technical data on page 17*.

Husqvarna, 2023-07-04



Claes Losdal, Development Manager/Garden Products
Husqvarna AB

Responsible for technical documentation



Съдържание

Въведение.....	22	Поддръжка.....	28
Безопасност.....	23	Транспортиране, съхранение и изхвърляне.....	33
Монтаж.....	27	Технически данни.....	33
Операция.....	27	Декларация за съответствие.....	36

Въведение

Описание на продукта

Продуктът е пешеходно управлявана ротационна косачка за трева, която използва BioClip® за нарязване на тревата и превръщането ѝ в изкуствен тор.

Общ преглед на продукта

(Фиг. 1)

1. Ръкохватка/управление
2. Ръчка за спирачката на двигателя
3. Задвижващ лост
4. Ръкохватка на въжето на стартера
5. Капачка за маслото
6. Предпазител на ремъка
7. Ауслух
8. Запалителна свещ
9. Предпазител на ремъка
10. Резервоар за гориво
11. Лост за регулиране на ъгъла на ръчката
12. Антивибрационна система
13. Регулиране на кабела на съединителя
14. Лост за височината на рязане
15. Горивен клапан
16. Въздушен филтър
17. Капак на режещите части
18. Пружинна шайба
19. Придържател болт на ножовете
20. Нож
21. Носач на нож
22. Приставка за мулчиране KLIPPO LB 448S, KLIPPO LB 448SQ, KLIPPO LB 548SQe
23. Ръководство за оператора

Символи върху продукта

(Фиг. 2) ПРЕДУПРЕЖДЕНИЕ: Непредпазливото или неправилното използване може да доведе до нараняване или смърт на оператора или други хора.

(Фиг. 3) Прочетете внимателно ръководството за оператора и се уверете, че разбирате инструкциите, преди да използвате машината.

Предназначение

Използвайте продукта за косене на трева. Не използвайте продукта за други задачи.

(Фиг. 4) Пазете се от отскачащи предмети и рикошети.

(Фиг. 5) Дръжте хората и животните на безопасно разстояние от работната площ.

(Фиг. 6) Спрете двигателя и отстранете запалителния кабел преди ремонти или техническо обслужване.

(Фиг. 7) Предупреждение: Дръжте ръцете и краката си далеч от въртящи се части.

(Фиг. 8) Предупреждение: Дръжте ръцете и краката си далеч от въртящия се нож.

(Фиг. 9) Този продукт отговаря на изискванията на приложимите директиви на ЕО.

(Фиг. 10) Този продукт съответства на приложимите регламенти на Обединеното кралство.

(Фиг. 11) Този продукт е в съответствие с приложимите директиви на Евразийския икономически съюз. Валидно само за KLIPPO LB 448S & KLIPPO LB 453S.

(Фиг. 12) Етикет за шумовите емисии за околната среда съгласно директивите и регламентите на ЕС и Обединеното кралство и законодателството на Нов Южен Уелс "Регламент 2017 относно защитата от дейности, оказващи влияние на околната среда (контрол на шума)". Гарантираното ниво на звуковата мощност на продукта е

посочено в *Технически данни на страница 33* и на етикета.

(Фиг. 13) Код с възможност за сканиране.

Забележка: Останалите символи/стикери върху продукта се отнасят до специфичните за пазара законови изисквания.

Лепенка на продукта само за Австралия и Нова Зеландия

(Фиг. 14)

Дръжте ръцете и краката си далеч от въртящия се нож.

Емисии Euro V



ПРЕДУПРЕЖДЕНИЕ: Намесата в двигателя прави невалидно ЕС одобрението на тип на този продукт.

Безопасност

Дефиниции за безопасност

Предупреждения, знаци за внимание и бележки се използват за указване на особено важни части на инструкцията.



ПРЕДУПРЕЖДЕНИЕ: Използва се, ако има опасност от нараняване или смърт за оператора или за околните, ако не се спазват инструкциите в ръководството.



ВНИМАНИЕ: Използва се, ако има опасност от повреждане на машината, други материали или съседната зона, ако не се спазват инструкциите в ръководството.

Забележка: Използва се за предоставяне на повече информация, която е необходима в дадена ситуация.

Общи инструкции за безопасност



ПРЕДУПРЕЖДЕНИЕ: Прочетете следващите предупредителни инструкции, преди да използвате продукта.

- Този продукт е опасен, ако се използва неправилно или ако не сте внимателни.

Отговорност за продукта

Както е посочено в законите за отговорност за вреди, причинени от стоки, ние не носим отговорност за щети, причинени от нашия продукт, ако:

- продуктът е неправилно ремонтиран.
- продуктът е ремонтиран с части, които не са от производителя или не са одобрени от производителя.
- продуктът има принадлежност, която не е от производителя или не е одобрена от производителя.
- продуктът не е ремонтиран в одобрен сервизен център или от одобрен орган.

Неспазването на инструкциите за безопасност може да доведе до нараняване или смърт.

- Този продукт създава електромагнитно поле по време на работа. При някои условия това поле може да предизвика смущения в активни или пасивни медицински импланти. За да намалите риска от тежко или смъртоносно нараняване, ние препоръчваме лицата с медицински импланти да говорят с лекаря си и производителя на медицинския имплант, преди да започнат да работят с този продукт.
- Винаги бъдете внимателни и подхождайте разумно. Ако не сте сигурни как да работите с продукта при специална ситуация, спрете и се обърнете към Вашия дилър на Husqvarna, преди да продължите.
- Имайте предвид, че операторът носи отговорност за злополуки, включващи други лица или тяхното имущество.
- Поддържайте продукта чист. Уверете се, че разчитате ясно знаците и стикерите.
- Не позволявайте на лице да работи с продукта, освен ако не се уверите, че е прочело и разбрало съдържанието на ръководството за оператора.
- Не позволявайте на дете да работи с продукта.
- Дръжте децата далеч от работната зона. През цялото време трябва да присъства отговорен възрастен.
- Не позволявайте на лице, което не е запознато с инструкциите, да работи с продукта.
- Винаги наблюдавайте лице с намален физически или умствен капацитет, което използва продукта.

През цялото време трябва да присъства отговорен възрастен.

- Не използвайте продукта, ако сте уморени, болни или под въздействието на алкохол, наркотици или лекарства. Това състояние оказва отрицателно въздействие върху Вашето зрение, бдителност, координация и преценка.
- Не използвайте продукт, който е повреден или не работи правилно.
- Не променяйте този продукт и не го използвайте, ако има вероятност той да е бил променен от други лица.
- Не променяйте регулировката за управление на оборотите на двигателя.

Безопасност на работната област



ПРЕДУПРЕЖДЕНИЕ: Прочетете следващите предупредителни указания, преди да използвате машината.

- Отстранете препятствия като клони, пръчки и камъни от работната зона, преди да използвате продукта.
- Обектите, които се удрят в режещото оборудване, могат да бъдат изхвърлени и да причинят нараняване на лицата и щети на предметите. Дръжте страничните наблюдатели и животните на безопасно разстояние от продукта.
- Никога не използвайте продукта в лошо време – например при мъгла, дъжд, силни ветрове, много силен студ и риск от мъгливи. Използването на продукта в лошо време или върху влажни или мокри терени е изморително. Лошото време може да създаде опасни условия, като например хлъзгави повърхности.
- Внимавайте за лица, предмети и ситуации, които могат да са причина за намаляване на безопасната работа на продукта.
- Внимавайте за препятствия като корени, камъни, клони, ями и канавки. Дългата трева може да крие препятствия.
- Косенето на трева на склон може да бъде опасно. Не работете с продукта, когато наклонът на повърхността е повече от 15°.
- Използвайте продукта напречно на склона. Не се движете нагоре и надолу.
- Внимавайте, когато преминавате покрай закриватъгли и предмети, които скриват зрителното Ви поле.

Безопасност при работа



ПРЕДУПРЕЖДЕНИЕ: Прочетете следващите предупредителни указания, преди да използвате машината.

- Използвайте този продукт само за косене на морави. Не се допуска използването му за други цели.
- Използвайте лични предпазни средства. Вижте *Лични предпазни средства на страница 25*.
- Уверете се, че знаете как бързо да спрете двигателя при аварийна ситуация.
- Никога не стартирайте двигателя в затворено пространство или близо до запалими материали. Отработените газове от двигателя са горещи и могат да съдържат искри, които да предизвикат пожар.
- Не работете с продукта, докато ножът и всички капаци не се монтират правилно. Неправилно монтираният нож може да се разхлаби и да причини телесна повреда.
- Уверете се, че ножът няма да се удря в обекти, като например камъни и корени. Това може да доведе до повреда на ножа и до огъване на двусекционния вал на двигателя. Огънатата ос предизвиква силни вибрации и има много голяма опасност ножът да се разхлаби.
- Ако ножът се удари в някакъв обект или се получат вибрации, спрете веднага продукта. Изключете запалителния кабел от запалителната свещ. Проверете продукта за повреда. Ремонттирайте повредите или потърсете оторизиран сервиз за това.
- Никога не прикрепяйте ръчката на спирачката на двигателя за постоянно върху дръжката, когато двигателят е стартиран.
- Поставете продукта върху стабилна, равна повърхност и го стартирайте. Уверете се, че ножът не се допира в земята или в други предмети.
- Винаги стойте зад продукта, когато го използвате.
- Всички колела трябва да бъдат на земята и да държите дръжката с 2 ръце, когато работите с продукта. Дръжте ръцете и краката си далеч от въртящите се остриета.
- Не наклоняйте продукта при стартиран двигател.
- Бъдете внимателни, когато дърпате продукта назад.
- Никога не повдигайте продукта при стартиран двигател. Ако се налага да вдигнете продукта, първо спрете двигателя и изключете запалителния кабел от запалителната свещ.
- Не се движете назад при работа с продукта.
- Спрете двигателя, когато преминавате през области без трева, например пътеки от чакъл, камък или асфалт.
- Не тичайте с продукта, когато двигателят работи. Винаги ходете, когато работите с продукта.
- Спрете двигателя, преди да промените височината на рязане. Никога не регулирайте при стартиран двигател.

- Никога не оставяйте продукта без надзор, когато двигателят работи. Спрете двигателя и се уверете, че режещото оборудване не се върти.

Инструкции за безопасност за работа

Лични предпазни средства



ПРЕДУПРЕЖДЕНИЕ: Прочетете следващите предупредителни указания, преди да използвате машината.

- Личните предпазни средства не изключват изцяло риска от нараняване, но намаляват степента на нараняването при злополука. Нека вашият дилър Ви помогне да изберете подходящото оборудване.
- Използвайте антени, ако нивото на шума е по-високо от 85 dB.
- Носете ботуши или обувки, устойчиви на хлъзгане. Не носете отворени обувки и не ходете боси.
- Използвайте дълги панталони от здрав плат.
- Когато е необходимо, носете защитни ръкавици, например, когато закрепвате, проверявате или почиствате режещото оборудване.

Устройства за безопасност на продукта



ПРЕДУПРЕЖДЕНИЕ: Прочетете следващите предупредителни инструкции, преди да използвате продукта.

- Не използвайте продукт с устройства за безопасност, които са повредени или не работят правилно.
- Извършвайте редовно проверка на устройствата за безопасност. Ако устройствата за безопасност са повредени или не работят правилно, говорете с Вашия сервиз на Husqvarna.
- Не правете модификации по устройствата за безопасност.

За проверка на капака срещу порязване

Капакът срещу порязване намалява вибрациите в продукта и опасността от нараняване, причинени от острието.

- Проверете капака срещу порязване, за да се уверите, че няма повреди, като например пукнатини.

За проверка на защитата на ремъка

Защитата на ремъка намалява опасността от нараняване и гарантира, че скъсаният задвижващ ремък няма да изскочи.

- Уверете се, че по защитата на ремъка няма повреди и че е правилно закрепена. (Фиг. 15)

Ръчка за спирачката на двигателя

Ръчката за спирачката на двигателя спира двигателя. Когато ръчката за спирачката на двигателя бъде пусната, двигателят спира.

За да проверите дали спирачката на двигателя работи, стартирайте двигателя и след това отпуснете ръчката на спирачката на двигателя. Ако двигателят не спре след 3 секунди, позволете на одобрен Husqvarna сервиз да регулира спирачката на двигателя.

(Фиг. 16)

За проверка на антивибрационната система



ПРЕДУПРЕЖДЕНИЕ:

Прекаленото излагане на вибрации може да причини поражения върху кръвоносната система и нервната система на лица със затруднено кръвообращение. Потърсете медицинска помощ, ако се появят симптоми, които могат да са резултат от прекалено излагане на вибрации. Такива симптоми са например изтръпване, загуба на чувствителност, „иглички“, „боджежи“, болки, физическо отпускане, промяна на цвета или състоянието на кожата. Тези симптоми се появяват обикновено на пръстите, ръцете или китките.

Антивибрационната система намалява вибрациите в дръжката по време на работа.

Стоманената тръба в управлението, а също и капакът срещу порязване намаляват вибрациите. KLIPPO LB 548SQe има и 4 антивибрационни части, прикрепени към управлението.

- Проверете управлението и частите на антивибрационната система, за да се уверите, че няма повреди. (Фиг. 17)

Носач на нож

Носачът на ножа намалява опасността от огъване на двусекционния вал на двигателя. Ако ножът се удари в предмет, ножът се премества към носача на ножа. Движението причинява износване на повърхността на носача на ножа. Износването показва, че защитата на двусекционния вал на двигателя функционира правилно.

Ауспух

Ауспухът е предназначен за максимално намаляване на нивата на шума и за отвеждане на отработените газове настрана от оператора.

Не използвайте продукта, ако ауспухът липсва или е повреден. Повреденият ауспух повишава нивото на шума и риска от пожар.



ПРЕДУПРЕЖДЕНИЕ: Ауспухът се нагрява много по време на и след употреба и също при обороти на празен ход на двигателя. Бъдете внимателни близо до запалими материали и/или газове, за да предотвратите възникването на пожар.

За проверка на ауспуха

- Проверявайте ауспуха редовно, за да сте сигурни, че е закрепен правилно и не е повреден.

Безопасност при работа с гориво



ПРЕДУПРЕЖДЕНИЕ: Прочетете следващите предупредителни указания, преди да използвате машината.

- Не включвайте продукта, ако върху него има гориво или моторно масло. Отстранете нежеланото гориво/масло и оставете продукта да изсъхне.
- Ако разлеете гориво по дрехите си, сменете ги незабавно.
- Внимавайте да не попадне гориво върху тялото Ви, това може да доведе до телесни увреждания. Ако гориво попадне върху тялото Ви, използвайте сапун и вода, за да го отстраните.
- Не стартирайте продукта, ако от двигателя има теч. Проверявайте редовно двигателя за течове.
- Внимавайте с горивото. Горивото е запалимо, изпаренията са взривоопасни и могат да причинят телесни увреждания или смърт.
- Не вдъшвайте горивните изпарения, това може да доведе до телесни увреждания. Уверете се, че има достатъчен въздушен поток.
- Не пушете близо до горивото или двигателя.
- Не поставяйте топли предмети близо до горивото или двигателя.
- Не добавяйте гориво, когато двигателят работи.
- Уверете се, че двигателят е изстинал преди зареждане с гориво.
- Преди зареждане с гориво отворете бавно капачката на резервоара за гориво и освободете внимателно налягането.

- Не добавяйте гориво към двигателя на закрито. Недостатъчният въздушен поток може да доведе до нараняване или смърт поради задушаване или въглероден окис.
- Затегнете капачката на резервоара за гориво докрай. Ако капачката на резервоара за гориво не е затегната, има риск от злополука.
- Преди да включите двигателя, преместете продукта най-малко на 3 m/10 ft от мястото, където сте заредили резервоара.
- Не зареждайте резервоара за гориво догоре. Топлината причинява увеличаване на обема на горивото. Оставете място в горната част на резервоара за гориво.

Инструкции за безопасност при техническо обслужване



ПРЕДУПРЕЖДЕНИЕ: Прочетете следващите предупредителни указания, преди да използвате машината.

- Отработените газове от двигателя съдържат въглероден окис – много опасен, отровен газ без миризма. Не стартирайте двигателя на закрито или в затворени пространства.
- Преди техническо обслужване на продукта спрете двигателя и изключете запалителния кабел от запалителната свещ.
- Носете защитни ръкавици, когато ще изпълнявате дейности, свързани с техническото обслужване на режещото оборудване. Ножът е много остър и можете лесно да се порежете.
- Аксесоари и промени на продукта, които не са одобрени от производителя, могат да доведат до сериозно нараняване или смърт. Не правете промени по продукта. Винаги използвайте само аксесоари, които са одобрени от производителя.
- Ако техническото обслужване не се изпълнява правилно и редовно, рискът от нараняване и повреда на продукта се увеличава.
- Изпълнявайте техническото обслужване само както е посочено в това ръководство на собственика. Всички останали сервизни дейности трябва да се извършват от одобрен Husqvarna сервиз.
- Позволете одобрен Husqvarna сервиз редовно да обслужва продукта.
- Заменете повредени, износени или счупени части.

Монтаж

Въведение



ПРЕДУПРЕЖДЕНИЕ: Преди сглобяване на продукта трябва да прочетете и разберете главата за безопасност.



ПРЕДУПРЕЖДЕНИЕ: Отстранете кабела на запалителната свещ от запалителната свещ, преди да сглобите продукта.

За монтиране и регулиране на ръчката

1. Отстранете гайката на ръчката и шайбата от плочата върху горната ръчка.
2. Поставете горната ръчка на позиция отгоре спрямо долната ръчка.



ВНИМАНИЕ: Уверете се, че кабелите не са заплетени и няма да се повредят.

3. Закрепете шайбата и гайката на ръчката. (Фиг. 18)
4. Завъртете ръчката настрани за добра работна позиция, когато работите с продукта близо до стена. (Фиг. 19)
5. Завъртете колелата за регулиране върху шасито, за да регулирате вертикално ръчката. (Фиг. 20)

За да монтирате приставката за мулчиране (KLIPPO LB 448S, KLIPPO LB 448SQ, KLIPPO LB 548SQe)

1. Наклонете продукта назад, като запалителната свещ е насочена нагоре.
2. Поставете щифтовете на приставката за мулчиране в отворите от вътрешната страна на капака срещу порязване. (Фиг. 21)
3. Закрепете винтовете за приставката за мулчиране от външната страна на капака срещу порязване. (Фиг. 22)

Операция

Въведение



ПРЕДУПРЕЖДЕНИЕ: Преди работа с продукта трябва да прочетете и разберете главата за безопасност.

Husqvarna Connect

Husqvarna Connect е безплатно приложение за Вашето мобилно устройство. Приложението Husqvarna Connect осигурява разширени функции за Вашия продукт на Husqvarna:

- Разширена продуктова информация.
- Информация и помощ за частите на продукта и сервисното обслужване.

За да започнете да използвате Husqvarna Connect

1. Изтеглете приложението Husqvarna Connect на Вашето мобилно устройство.
2. Регистрирайте се в приложението Husqvarna Connect.
3. Изпълнете стъпките с инструкции в приложението Husqvarna Connect, за да свържете и регистрирате продукта.

Преди да започнете работа с продукта

1. Прочетете внимателно ръководството за оператора и се уверете, че разбирате инструкциите.
2. Проверете режещото оборудване, за да се уверите, че то е правилно монтирано и регулирано. Вижте *За проверка на режещото оборудване на страница 30*.
3. Напълнете резервоара за гориво. Вижте *За наливане на гориво на страница 27*.
4. Напълнете резервоара за масло и проверете нивото на маслото. Вижте *За извършване на проверка на нивото на маслото на страница 31*.

За наливане на гориво

Ако има наличен, използвайте нискоемисионен/алкалитен бензин. Ако няма наличен нискоемисионен/алкалитен бензин, използвайте висококачествен безоловен бензин или оловен бензин с октаново число не по-малко от 90.



ВНИМАНИЕ: Не използвайте бензин с октаново число по-малко от 90

RON (87 AKI). Това може да повреди продукта.



ПРЕДУПРЕЖДЕНИЕ: Не навивайте стартерното въже около ръката си.



ВНИМАНИЕ: Не изтегляйте напълно стартерното въже. Не пускайте дръжката на стартерното въже, когато то е изтеглено.

1. Отворете бавно капачката на резервоара за гориво, за да освободите налягането.
2. Заредете бавно резервоара от туба с гориво. Ако разлеете гориво, поийте го с кърпа и оставете горивото, което остане да изсъхне. (Фиг. 23)
3. Почистете областта около капачката на резервоара за гориво.
4. Затегнете капачката на резервоара за гориво докрай. Ако капачката на резервоара за гориво не е затегната, има риск от злополука.
5. Преди да включите двигателя, преместете продукта най-малко на 3 m (10 ft) от мястото, където сте заредили резервоара.

За регулиране на височината на рязане

Височината на рязане може да бъде регулирана в 6 нива.

1. Преместете напред лоста за височина на рязане, за да увеличите височината на рязане.
2. Преместете назад лоста за височина на рязане, за да намалите височината на рязане.



ВНИМАНИЕ: Не настройвайте твърде ниска височина на рязане. Ножовете могат да се ударят в земята, ако повърхността на моравата не е равна.

За стартиране на продукта

1. Уверете се, че запалителният кабел е свързан към запалителната свещ.
2. Отворете горивния клапан. (Фиг. 24)
3. Оставете зад продукта.
4. Задръжте ръчката на спирачката на двигателя до управлението. (Фиг. 25)
5. Дръжте дръжката на стартерното въже с дясната си ръка.
6. Бавно издърпайте стартерното въже, докато почувствате някакво съпротивление.
7. Издърпайте силно шнура, докато двигателят запали.

За да използвате задвижването на колелата

- Натиснете надолу задвижващия лост. (Фиг. 26)
- Преди да издърпате продукта назад, изключете задвижването и натиснете продукта напред на приблизително 10cm.
- Освободете малко ръчката на спирачката на двигателя, за да изключите задвижването, например когато приближите препятствие.

Спиране на продукта

- За да спрете само задвижването, освободете малко ръчката на спирачката на двигателя.
- За да спрете двигателя, освободете напълно ръчката за спирачката на двигателя.
- Затворете горивния клапан. (Фиг. 27)

За получаване на добър резултат

- Винаги използвайте остър нож. Косенето със затъпен нож е неравномерно и окосената повърхност пожълтява. При работа с остър нож също така се използва по-малко енергия отколкото при работа със затъпен нож.
- Не отрязвайте повече от 1/3 от дължината на тревата. Първо, косете със зададена висока височина на рязане. Вижте какъв е резултатът и намалете височината на рязане до подходящо ниво. Ако тревата е много висока, карайте бавно и – ако е необходимо – окосете два пъти.
- Режете всеки път в различни посоки, за да избегнете образуването на линии в моравата.
- Поддържайте капака за рязане чист. Натрупването на трева и замърсявания по вътрешната страна на капака за рязане могат да намалят резултата от рязането. Вижте *За външно почистване на машината на страници 29*.

Поддръжка

Въведение



ПРЕДУПРЕЖДЕНИЕ: Преди да извършите техническо обслужване,

трябва да прочетете и разберете главата за безопасност.

За всички работи по обслужването и поправката на продукта е необходимо специално обучение. Осигуряваме предлагане на професионални

ремонти и обслужване. Ако Вашият дилър не предлага сервизно обслужване, се свържете с него, за да Ви даде информация за най-близкия сервиз.

За по-подробна информация направете справка с www.husqvarna.com.

Разписание за техническо обслужване

Интервалите за техническо обслужване са изчислени в зависимост от ежедневната употреба на

продукта. Интервалите се променят, ако продуктът не се използва ежедневно.

За техническо обслужване, маркирано със *, вижте инструкциите в *Устройства за безопасност на продукта на страница 25*.

Техническо обслужване	Ежедневно	Всяка седмица	Всеки месец
Извършване на обща проверка	X		
Проверка на нивото на маслото	X		
Почистване на продукта	X		
Почистване на въздушния филтър	X		
Преглед на режещото оборудване	X		
Проверка на капака на режещите части*	X		
Проверка на ръкохватката за спирачката на двигателя*	X		
Проверка на ауслуха*		X	
Преглед на запалителната свещ		X	
Проверка на задвижващия ремък за повреди			X
Почистване на корпуса на скоростната кутия			X
За KLIPPO LB 448S, KLIPPO LB 453S. Смяна на маслото (първи път след 5 ч употреба, след това на всеки 25 ч употреба и годишно)			X
За KLIPPO LB 448SQ, KLIPPO LB 453SQ, KLIPPO LB 548SQe. Смяна на маслото (първи път след 5 ч употреба, след това на всеки 100 ч употреба и годишно)			X
Смяна на въздушния филтър			X
Преглед на горивната система			X
Проверка и регулиране на задвижването (кабела на съединителя)			X

За извършване на обща проверка

- Уверете се, че всички гайки и винтове на продукта са затегнати правилно.

За външно почистване на машината

- За отстраняване на листа, трева и прах използвайте четка.
- Уверете се, че смукателният въздухопровод в горната част на двигателя не е блокиран.
- Не мийте продукта с устройство за миене под високо налягане.

- Ако използвате вода за почистване на продукта, не насочвайте струята вода директно върху двигателя.

За почистване на вътрешната повърхност на капака на режещите части

- Поставете продукта да легне настрани с ауслуха надолу.



ВНИМАНИЕ: Ако продуктът се постави с въздушния филтър надолу, двигателят може да се повреди.

2. Промийте вътрешната повърхност на капака на режещите части с вода.

За проверка на задвижващия ремък и за почистване на корпуса на скоростната кутия

1. Отстранете 4-те винта на защитата на ремъка и свалете защитата на ремъка. (Фиг. 28)
2. Проверете задвижващия ремък и ремъчната шайба за повреди.
3. За почистване на листа, трева и замърсяване от корпуса на скоростната кутия използвайте четка. (Фиг. 29)

За подмяна и регулиране на задвижващия ремък

1. Отстранете 4-те винта на защитата на ремъка и свалете защитата на ремъка. (Фиг. 28)
2. Поставете плоска отвертка между капачката на оста и колелото на дясното предно колело на продукта.
3. Завъртете внимателно отвертката, за да отстраните капачката на оста.
4. Отстранете колесния болт и отстранете колелото. (Фиг. 30)
5. Свалете задвижващия ремък от ремъчните шайби.
6. Уверете се, че ремъчните шайби се движат лесно върху оста.
7. Ако е необходимо, напръскайте проникващо масло между и зад ремъчните шайби и смажете оста.
8. Монтирайте нов задвижващ ремък и го закрепете правилно при сачмения лагер, преди да регулирате задвижващия ремък. (Фиг. 31)
9. Преместете сачмения лагер нагоре или надолу, за да регулирате задвижващия ремък. (Фиг. 32)

Забележка: Новият задвижващ ремък става по-дълъг след използване. Регулирайте отново задвижващия ремък след няколко часа работа.

10. Закрепете защитата на ремъка.
11. Работете с продукта, за да се уверите, че задвижващият ремък е правилно монтиран и регулиран.

За подмяна и регулиране на централния ремък

1. Свалете ножа.

Забележка: Тази стъпка не е необходима, когато регулирате само централния ремък.

2. Разхлабете регулиращите винтове с няколко оборота, но не ги отстранявайте. (Фиг. 33)
3. Подменете централния ремък и умерено затегнете регулиращите винтове.

Забележка: Тази стъпка не е необходима, когато регулирате само централния ремък.

4. Преместете зъбното колело напред или назад, за да регулирате централния ремък. (Фиг. 34)
5. Използвайте кантар на кука, за да проверите обтягането на централния ремък. Ремъкът има правилно обтягане, когато може да се движи 6 – 10 mm в центъра. Това отговаря на дърпане от 3 kg. (Фиг. 35)
6. Затегнете регулиращите винтове докрай с въртящ момент от 3 Nm.
7. Работете с продукта, за да се уверите, че задвижващият ремък е правилно монтиран и регулиран.

За проверка на режещото оборудване



ПРЕДУПРЕЖДЕНИЕ: За предотвратяване на случайно стартиране извадете запалителния кабел от запалителната свещ.



ПРЕДУПРЕЖДЕНИЕ: Носете защитни ръкавици, когато ще изпълнявате дейности, свързани с техническото обслужване на режещото оборудване. Ножът е много остър и можете лесно да се порежете.

1. Проверете режещото оборудване за повреди или пукнатини. Винаги заменяйте повреденото режещо оборудване.
2. Погледнете ножа, за да разберете дали не е повреден или затъпен.

Забележка: Необходимо е да балансирате ножа след заточване. Ножът се заточва, сменя и балансира от сервизен център. Ако ударите препятствие и вследствие на това продуктът спре, сменете повредения нож. Оставете специалистите в сервиза да преценят дали ножът ще трябва да се заточи, или да се смени.

За сменяне на ножовете

1. Застопорете ножа с дървен блок. (Фиг. 36)

- Отстранете придържания болт на ножовете, пружинната шайба и ножа. (Фиг. 37)
- Проверете носача на ножа и придържания болт на ножовете за повреди.
 - Ако замените ножа или носача на ножа, също така заменете придържания болт на ножовете, пружинната шайба и фриксионната шайба.
- Проверете дали двусекционният вал на двигателя не е огънат.
- Когато поставяте новия нож, уверете се, че извитите краища сочат по посока на капака срещу порязване. (Фиг. 38)
- Поставете фриксионната шайба и ножа към носача на ножа. (Фиг. 39)
- Уверете се, че ножът е подравнен с центъра на двусекционния вал на двигателя. (Фиг. 40)
- Застопорете ножа с дървен блок. (Фиг. 41)
- Поставете пружинната шайба и затегнете болта с въртящ момент от 80 Nm. (Фиг. 42)
- Раздвижете ножа на ръка и се уверете, че той се върти свободно.



ПРЕДУПРЕЖДЕНИЕ:

Използвайте защитни ръкавици. Ножът е много остър и можете лесно да се порежете.

- Стартирайте продукта, за да тествате ножа. Ако ножът не е поставен правилно, продуктът вибира или резултатът от косенето е незадоволителен.

За извършване на проверка на нивото на маслото



ВНИМАНИЕ: Твърде ниското ниво на маслото може да доведе до повреда на двигателя. Извършете проверка на нивото на маслото, преди да стартирате продукта.

- Поставете продукта на равна повърхност.
- Отстранете капачката на резервоара за масло със закрепената мерителна пръчка.
- Почистете маслото от мерителната пръчка.
- Поставете мерителната пръчка изцяло в резервоара за масло. Затегнете капачката на резервоара за масло, за да сте сигурни, че ще получите правилното ниво на маслото.
- Отстранете мерителната пръчка.
- Проверете какво е нивото на маслото на мерителната пръчка.

- Ако нивото на маслото е ниско, заредете моторно масло и отново извършете проверка на нивото му.

(Фиг. 43)

Забележка: Използвайте фуния, за да предотвратите разливане.

За смяна на моторното масло



ПРЕДУПРЕЖДЕНИЕ:

Моторното масло е много горещо непосредствено след спирането на двигателя. Оставете двигателя да изстине, преди да източите моторното масло. Ако разлеее моторно масло върху кожата си, почистете със сапун и вода.

(Фиг. 44)

- Отстранете запалителния кабел от запалителната свещ.
- Отстранете капачката на резервоара за масло.
- Източете моторното масло.
 - За модели с изпускателна пробка за масло: поставете съд под изпускателната пробка за масло, в който да се събере моторното масло.
 - За модели без изпускателна пробка за масло или ако не е възможно да се постави съд под изпускателната пробка за масло: използвайте маслена помпа (принадлежност), за да източите моторното масло от резервоара за масло.
- Заредете с новото моторно масло от типа, препоръчан в *Технически данни на страница 33*.
- Извършете проверка на нивото на моторното масло. Направете справка с *За извършване на проверка на нивото на маслото на страница 31*.

Въздушен филтър

Забележка: Въздушен филтър, който е използван дълго време, не може да се изчисти напълно. Подменяйте въздушния филтър редовно. Винаги заменяйте повреден въздушен филтър.

За отстраняване и монтиране на въздушния филтър (KLIPPO LB 488SQ, KLIPPO LB 453SQ, KLIPPO LB 548Qe)



ПРЕДУПРЕЖДЕНИЕ:

Използвайте защитни ръкавици.

1. Натиснете щипките на капака на въздушния филтър.
2. Внимателно отстранете капака на въздушния филтър (А) от двигателя.
3. Отстранете въздушния филтър (В) и порестия филтър (С). (Фиг. 45)
4. Проверете въздушния филтър за повреди. Сменете повреден въздушен филтър.
5. Почистете и проверете въздушния филтър. Направете справка с *За почистване на въздушния филтър (KLIPPO LB 448SQ, KLIPPO LB 453SQ, KLIPPO LB 548Qe)* на страница 32.
6. Извършете монтаж в обратната последователност.

За почистване на въздушния филтър (KLIPPO LB 448SQ, KLIPPO LB 453SQ, KLIPPO LB 548Qe)



ВНИМАНИЕ: Не включвайте двигателя без закрепен въздушен филтър или ако въздушният филтър е замърсен.



ВНИМАНИЕ: Сменете въздушния филтър, ако той не може да се почисти или ако е повреден. Повреден въздушен филтър причинява повреда на двигателя.

1. Натиснете заключващите уши (А), отстранете капака на въздушния филтър (В) и отстранете въздушния филтър (С). (Фиг. 46)
2. Ударете въздушния филтър в твърда повърхност или продухайте състен въздух през въздушния филтър от чистата страна на въздушния филтър.



ВНИМАНИЕ: Не използвайте четка, за да отстраните замърсяванията, тъй като това ще ги набие навътре във въздушния филтър.

3. Почистете държача на въздушния филтър (D) и капака на въздушния филтър с влажна кърпа.



ВНИМАНИЕ: Уверете се, че във въздуховода (Е) не попада мръсотия.

4. Монтирайте въздушния филтър. Уверете се, че въздушният филтър напълно прилепва към държача на въздушния филтър.
5. Монтирайте капака на въздушния филтър, като първо поставите долните уши.

За почистване на въздушния филтър (KLIPPO LB 448S, KLIPPO LB 453S)



ВНИМАНИЕ: Не включвайте двигателя без закрепен въздушен филтър или ако въздушният филтър е замърсен.



ВНИМАНИЕ: Сменете въздушния филтър, ако той не може да се почисти или ако е повреден. Повреден въздушен филтър причинява повреда на двигателя.

1. Натиснете заключващите уши (А), отстранете капака на въздушния филтър (В) и отстранете въздушния филтър (С). (Фиг. 47)
2. Ударете въздушния филтър в твърда повърхност или продухайте състен въздух през въздушния филтър от чистата страна на въздушния филтър.



ВНИМАНИЕ: Не използвайте четка, за да отстраните замърсяванията, тъй като това ще ги набие навътре във въздушния филтър.

3. Почистете държача на въздушния филтър (D) и капака на въздушния филтър с влажна кърпа.



ВНИМАНИЕ: Уверете се, че във въздуховода (Е) не попада мръсотия.

4. Монтирайте въздушния филтър. Уверете се, че въздушният филтър напълно прилепва към държача на въздушния филтър.
5. Монтирайте капака на въздушния филтър, като първо поставите долните уши.

За проверка на запалителната свещ



ВНИМАНИЕ: Използвайте винаги запалителните свещи от препоръчания вид. Използването на запалителна свещ от неправилен тип може да повреди продукта.

- Проверете запалителната свещ, ако двигателят е с понижена мощност, стартира трудно или работи неправомерно при обороти на празен ход.
- За да намалите опасността от попадане на нежелани материали върху електродите на запалителната свещ, следвайте тези инструкции:
 - a) Проверете дали оборотите на празния ход са правилно регулирани.
 - b) Уверете се, че горивната смес е правилна.
 - c) Уверете се, че въздушният филтър е чист.

- Ако запалителната свещ е замърсена, почистете я и проверете дали разстоянието между електродите е правилно, направете справка с *Технически данни на страница 33*. (Фиг. 48)
- Сменете запалителната свещ, ако е необходимо.

За проверка на горивната система

- Проверете капачката на резервоара за гориво и уплътнението на капачката на резервоара за гориво, за да се уверите, че не са повредени.
- Проверете маркуча за горивото, за да се уверите, че не тече. Ако маркучът за горивото е повреден, той трябва да се смени от сервиз.

За регулиране на кабела на съединителя

Ако Ви се струва, че задвижването е бавно, необходимо е да регулирате кабела на съединителя.

- Завъртете регулиращия винт. (Фиг. 49)

Кабелът на съединителя е правилно регулиран, когато скобата на кабела на съединителя се подравни с гайката.

(Фиг. 50)

Транспортиране, съхранение и изхвърляне

Транспорт и съхранение

- При съхранението и транспортирането на продукта и горивото се уверете, че няма течове или изпарения. Искри или открит огън, например от електрически уреди или котли може да възникне пожар.
- Винаги използвайте одобрени контейнери за съхранение и транспортиране на гориво.
- Изпразнете резервоара за гориво, преди да приберете продукта за съхранение за дълъг период от време. Изхвърлете горивото на подходящо за целта място
- Прикрепете продукта по безопасен начин по време на транспортирането, за да се предотвратят повреди и злополуки.

- Съхранявайте продукта под ключ, за да предотвратите достъпа до него на деца или лица, които не са упълномощени да го използват.
- Съхранявайте продукта на сухо и незамръзващо място.

Изхвърляне

- Съблюдавайте местните изисквания за рециклиране и приложимите разпоредби.
- Изхвърлете всички химикали, като например двигателно масло или гориво, в сервизен център или на подходящо за целта място.
- Когато продуктът вече не се използва, изпратете го на Husqvarna дилър или го изхвърлете на място за рециклиране.

Технически данни

Технически характеристики

	KLIPPO LB 448S	KLIPPO LB 448SQ	KLIPPO LB 453S	KLIPPO LB 453SQ	KLIPPO LB 548SQe
Двигател					
Марка	Honda	Husqvarna	Honda	Husqvarna	Husqvarna
Модел	GCVX-145	HS 166AP	GCVx-170	HS 166AP	HS 166AP
Тип на двигателя	Едноцилиндров, 4-тактов, принудително въздушно охлаждане, OHV	Едноцилиндров, 4-тактов, принудително въздушно охлаждане, OHV	Едноцилиндров, 4-тактов, принудително въздушно охлаждане, OHV	Едноцилиндров, 4-тактов, принудително въздушно охлаждане, OHV	Едноцилиндров, 4-тактов, принудително въздушно охлаждане, OHV
Работен обем, cm ³	145	166	166	166	166
Скорост, об./мин	2900	2900	2900	2900	2900

	KLIPPO LB 448S	KLIPPO LB 448SQ	KLIPPO LB 453S	KLIPPO LB 453SQ	KLIPPO LB 548SQe
Номинална изходна мощност на двигателя, kW ⁶	2,7	2,75	3,3	2,75	2,75
Запалителна система					
Запалителна свещ	NGK BPR5ES	Husqvarna HQT-7	NGK BPR5ES	Husqvarna HQT-7	Husqvarna HQT-7
Разстояние между електродите, mm	0,7-0,8	0,7 – 0,8	0,7-0,8	0,7 – 0,8	0,7 – 0,8
Горивна и смазочна система					
Тип на смазването на двигателя	Разпръскване	Разпръскване	Разпръскване	Разпръскване	Разпръскване
Капацитет на резервоара за гориво, литър	0,9	1,5	0,9	1,5	1,5
Капацитет на резервоара за масло, литър	0,5	0,5	0,55	0,5	0,5
Моторно масло ⁷	Husqvarna SAE 30	Husqvarna SAE 30	Husqvarna SAE 30/SAE 10W-30	Husqvarna SAE 30/SAE 10W-30	Husqvarna SAE 30/SAE 10W-30
Тегло					
С празни резервоари, kg	30,5	32,5	33	33,5	34,5
Шумови емисии ⁸					
Ниво на звуковата мощност, измерено, измерена dB (A)	90	93	91	94	92
Ниво на звуковата мощност, гарантирано L _{WA} dB (A)	91	93	94	95	93
Нива на шума ⁹					
Ниво на звуковото налягане при ухото на оператора, dB (A)	77	79	78	81	79
Нива на вибрациите, a_{hveq} ¹⁰					
Ръкохватка, m/s ²	4,5	4,2	5,3	6,4	4,0

⁶ Номиналната мощност на двигателя е средната нетна мощност (при указаните об/мин) на стандартен двигател за модела двигател, измерен спрямо SAE стандарта J1349/ISO1585. Двигателите масово производство може да се отклоняват от тази стойност. Действителната изходна мощност за двигателя, инсталиран на крайния продукт, ще зависи от работната скорост, условията на околната среда и други стойности.

⁷ Ако се използва масло SAE-30 при температура, по-ниска от +5°C, съществува риск двигателят да не бъде смазан достатъчно. Това може да причини повреда на двигателя. Направете справка с *Замяна на моторното масло на страница 31* за правилното масло за ниски температури.

⁸ Емисии на шума в околната среда, измерени като звукова мощност (L_{WA}) в съответствие с директива на ЕО 2000/14/ЕО.

⁹ Ниво на звуковото налягане съгласно EN ISO 5395. Отчетените данни за нивото на звуковото налягане имат типична статистическа дисперсия (стандартно отклонение) от 1,2 dB (A).

¹⁰ Ниво на вибрациите съгласно ISO 5395. Отчетените данни за нивото на вибрациите имат типична статистическа дисперсия (стандартно отклонение) от 0,2 m/s².

	KLIPPO LB 448S	KLIPPO LB 448SQ	KLIPPO LB 453S	KLIPPO LB 453SQ	KLIPPO LB 548SQe
Режещо оборудване					
Височина на рязане, mm	30-60	30-60	30-60	30-60	30-60
Ширина на рязане, mm	480	480	530	530	480
Нож	Мулчиране – 48 cm	Мулчиране – 48 cm	Мулчиране – 53 cm	Мулчиране – 53 cm	Мулчиране – 48 cm
	5028813-10	5028813-10	5028814-10	5028814-10	5028813-10
Задвижване					
Скорост, km/h	4,5	4,5	4,5	4,5	4,5

Декларация за съответствие

Декларация за съответствие на ЕС

Ние, **Husqvarna AB**, SE-561 82 Huskvarna, Швеция,
тел.: +46-36-146500, декларираме на своя собствена
отговорност, че продуктът:

Описание	Косачка за трева
Марка	Husqvarna
Тип/модел	KLIPPO LB 448S, KLIPPO LB 453S, KLIPPO LB 448SQ, KLIPPO LB 453SQ, KLIPPO LB 548SQe
Идентификация	Серийни номера от 2022 и нататък

отговаря напълно на следните директиви и
регламенти на ЕС:

Директива/регламент	Описание
2006/42/EO	"относно машините"
2014/30/EC	"относно електромагнитната съвместимост"
2000/14/EO	"относно шумовите емисии в околната среда"
2011/65/EC	"по отношение на ограничението за използване на определени опасни вещества в електрическо и електронно оборудване"

и че следните стандарти и/или технически
спецификации са приложени: EN ISO 5395-1:2013/
A1:2018, EN ISO 5395-2:2013/A1:2016/A2:2017, EN
ISO 14982:2009, EN IEC 63000:2018.

Упълномощен орган: 0404, RISE SMP Svensk
Maskinprovning AB, Box 4053, SE-904 03 Umeå,
Sweden., сертифицира за съответствие с Директива
на съвета 2000/14/EO, процедура за оценка на
съответствието: приложение VI.

За информация относно шумови емисии направете
справка с *Технически данни на страница 33.*

Huskvarna, 2023-02-07



Claes Losdal, мениджър "Разработки и развитие/
градински продукти", Husqvarna AB

Отговорен за техническата документация



Obsah

Úvod.....	37	Údržba.....	43
Bezpečnost.....	38	Přeprava, skladování a likvidace.....	46
Montáž.....	41	Technické údaje.....	47
Provoz.....	41	Prohlášení o shodě.....	49

Úvod

Popis výrobku

Výrobek je rotační sekačka na trávu s pěší obsluhou, která pomocí funkce BioClip® umožňuje využít posečenou trávu jako hnojivo.

Popis výrobku

(Obr. 1)

1. Řídítka
2. Páka brzdy motoru
3. Páčka pojezdu
4. Rukojeť startovací šňůry
5. Víčko nádrže na olej
6. Kryt řemene
7. Tlumič výfuku
8. Zapalovací svíčka
9. Kryt řemene
10. Palivová nádrž
11. Páka pro seřízení úhlu řídítek
12. Systém tlumení vibrací
13. Seřízení lanka spojky
14. Páka pro nastavení výšky sečení
15. Palivový ventil
16. Vzduchový filtr
17. Kryt žacího ústrojí
18. Pružná podložka
19. Šroub nože
20. Nůž
21. Unášec nože
22. Mulčovací vložka KLIPPO LB 448S, KLIPPO LB 448SQ, KLIPPO LB 548SQe
23. Návod k používání

Symboly na výrobku

- (Obr. 2) **VAROVÁNÍ:** Nepozorné nebo nesprávné použití může vést ke zranění nebo usmrcení obsluhy a dalších osob.
- (Obr. 3) Před použitím si pozorně prostudujte tento návod k používání a nepoužívejte výrobek, pokud návodu zcela nerozumíte.
- (Obr. 4) Pozor na odvržené a odražené předměty.

Zamýšlené použití

Výrobek použijte k sečení trávy. K jiným činnostem výrobek nepoužívejte.

- (Obr. 5) Zajistěte, aby se v pracovní oblasti a jejím okolí nezdržovaly nepovolané osoby či zvířata.
- (Obr. 6) Před prováděním oprav a údržby vypněte motor a odpojte kabel zapalování.
- (Obr. 7) Varování: Ruce a nohy udržujte mimo dosah rotujících částí.
- (Obr. 8) Varování: Ruce a nohy udržujte mimo dosah rotujícího nože.
- (Obr. 9) Tento výrobek vyhovuje příslušným směrnícím ES.
- (Obr. 10) Tento výrobek vyhovuje platným předpisům Spojeného království.
- (Obr. 11) Výrobek odpovídá příslušným směrnícím Eurasijské celní unie. Platí pouze pro KLIPPO LB 448S & KLIPPO LB 453S.
- (Obr. 12) Štítek s emisemi hluku do okolí podle směrnic a předpisů Evropské unie a Spojeného království a nařízení o regulaci hluku v australském Novém Jižním Walesu „Protection of the Environment Operations (Noise Control) Regulation 2017“. Garantovaná hladina akustického výkonu tohoto výrobku je uvedena v části *Technické údaje na straně 47* a na štítku.
- (Obr. 13) Skenovatelný kód.

Povšimněte si: Další symboly/štítky na výrobku se vztahují k zákonným požadavkům specifickým pro daný trh.

Štítek na výrobku, pouze pro Austrálii a Nový Zéland

(Obr. 14)

Ruce a nohy udržujte mimo dosah rotujícího nože.

Emise Euro V



VÝSTRAHA: Manipulace s motorem vede k zneplatnění typového schválení EU tohoto výrobku.

Odpovědnost za výrobek

Jak uvádí zákon o odpovědnosti za výrobek, neneseme odpovědnost za žádnou škodu způsobenou našim výrobkem, pokud:

- byl výrobek nesprávně opraven.
- byl výrobek opraven pomocí součástí od jiného výrobce nebo součástí, které nejsou výrobcem schváleny.
- má výrobek příslušenství od jiného výrobce nebo příslušenství, které není výrobcem schváleno.
- výrobek nebyl opraven ve schváleném servisním středisku nebo schváleným odborníkem.

Bezpečnost

Definice týkající se bezpečnosti

Varování, upozornění a poznámky slouží jako upozornění na specifické důležité části návodu.



VÝSTRAHA: Používá se v případě nebezpečí úrazu nebo usmrcení obsluhy nebo okolních osob, pokud nejsou dodrženy pokyny uvedené v této příručce.



VAROVÁNÍ: Používá se v případě nebezpečí poškození výrobku, dalších materiálů či škod na majetku v blízkém okolí, pokud nejsou dodrženy pokyny uvedené v této příručce.

Povšimněte si: Používá se k poskytnutí dalších informací, které jsou nezbytné v dané situaci.

Obecné bezpečnostní pokyny



VÝSTRAHA: Před použitím výrobku si přečtěte následující varování.

- Tento výrobek je nebezpečný, nepoužívá-li se správně nebo není-li věnována provozu řádná pozornost. Nedodržení bezpečnostních pokynů může vést ke zranění nebo usmrcení.
- Tento výrobek vytváří během provozu elektromagnetické pole. Toto pole může za určitých okolností narušovat funkci aktivních či pasivních implantovaných lékařských přístrojů. Za účelem snížení rizika možného zranění nebo smrtelného úrazu doporučujeme osobám s implantovanými lékařskými přístroji poradit se před použitím výrobku

s lékařem a s výrobcem implantovaného lékařského přístroje.

- Buďte stále opatrní a používejte zdravý rozum. Pokud si nejste jisti, jak výrobek ovládat ve zvláštních situacích, vypněte jej a obraťte se na prodejce Husqvarna, než budete pokračovat v práci.
- Mějte na paměti, že obsluha je odpovědná za nehody a škody vzniklé jiným osobám nebo na jejich majetku.
- Udržujte výrobek čistý. Ujistěte se, že jsou značky a štítky dobře čitelné.
- Nedovolte osobám používat výrobek, nejste-li si jisti, že si přečetly návod k používání a porozuměly jeho obsahu.
- Nedovolte dětem používat výrobek.
- Udržujte děti mimo pracovní oblast. Vždy musí být přítomna zodpovědná dospělá osoba.
- Nedovolte, aby výrobek obsluhovala osoba, která nezná pokyny.
- Vždy dohlížejte na osoby s fyzickým nebo mentálním postižením při práci s výrobkem. Vždy musí být přítomna zodpovědná dospělá osoba.
- Nepoužívejte výrobek, jste-li unavení, nemocní nebo pod vlivem alkoholu, drog nebo léků. To by mohlo ovlivnit váš zrak, ostražitost, koordinaci a úsudek.
- Nepoužívejte výrobek, který je poškozený nebo nefunguje správně.
- Nikdy neupravujte výrobek a nepoužívejte jej, pokud je možné, že jej upravil někdo jiný.
- Neměňte nastavení regulace otáček motoru.

Bezpečnost pracovního prostoru



VÝSTRAHA: Před použitím výrobku si přečtěte následující varování.

- Před použitím výrobku, odklíďte z pracovní oblasti předměty, jako jsou větve, větvičky a kameny.
- Předměty, které mohou být zachyceny žacími ústrojími mohou být odmrštěny a způsobit zranění osob a poškození předmětů. Udržujte osoby v okolí a zvířata v bezpečné vzdálenosti od výrobku.
- Nikdy nepoužívejte výrobek za špatného počasí, jako je mlha, déšť, silný vítr, intenzivní chlad a nebezpečí blesku. Použití výrobku za špatného počasí nebo ve vlhkých či mokrych podmínkách je namáhavé. Nepříznivé počasí může vytvořit nebezpečné podmínky, např. kluzký povrch.
- Dávejte pozor na osoby, předměty a situace, které mohou bránit bezpečnému provozu výrobku.
- Dávejte pozor na překážky, jako jsou kořeny, kameny, větve, díry a příkopy. Vysoká tráva může překážky skrýt.
- Sečení trávy na svazích může být nebezpečné. Nepoužívejte výrobek na svahu se sklonem větším než 15°.
- S výrobkem jezdíte po vrstevnicích. Nepohybujte se na svahu nahoru a dolů.
- Postupujte opatrně v blízkosti skrytých rohů a objektů, které mohou bránit ve výhledu.
- Umístěte výrobek na stabilní, rovný povrch a nastartujte jej. Zkontrolujte, zda nůž nemůže přijít do kontaktu se zemí nebo cizími objekty.
- Při provozu vždy stůjte za výrobkem.
- Při provozu nechte všechna kola spočívat na zemi a držte rukojeť oběma rukama. Ruce a nohy udržujte mimo dosah rotujících nožů.
- Nenaklánějte výrobek, když je spuštěný motor.
- Dávejte pozor při tažení výrobku dozadu.
- Nikdy nezvedejte výrobek, když je spuštěný motor. Pokud musíte výrobek zvednout, nejprve vypněte motor a odpojte kabel zapalování od zapalovací svíčky.
- Při provozování výrobku nechoďte směrem dozadu.
- Před přejezdem ploch bez trávy, jako jsou cesty vytvořené ze šterku, kamenů nebo asfaltu, vypněte motor.
- Neběhejte s výrobkem, když je spuštěný motor. Při provozu výrobku vždy pouze choďte.
- Před změnou výšky sečení vypněte motor. Nikdy neprovádějte seřizování při spuštěném motoru.
- Nikdy nenechte výrobek se spuštěným motorem bez dozoru. Vypněte motor a ujistěte se, že se žací ústrojí neotáčí.

Bezpečnost práce



VÝSTRAHA: Před použitím výrobku si přečtěte následující varování.

- Tento výrobek používejte výhradně k sečení trávy. Není dovoleno používat výrobek k jiným činnostem.
- Používejte osobní ochranné prostředky. Další informace naleznete v části *Osobní ochranné prostředky na strani 39*.
- Ujistěte se, že víte, jak v případě nouze rychle zastavit motor.
- Nikdy nespustíte motor v uzavřených prostorech nebo v blízkosti hořlavého materiálu. Výfukové plyny z motoru jsou horké a mohou obsahovat jiskry, které by mohly zažehnout požár.
- Neprovazujte výrobek, pokud není správně namontovaný nůž a všechny kryty. V opačném případě by se mohli nůž uvolnit a způsobit zranění osob.
- Zajistěte, aby nůž nenarazil do předmětů, jako jsou kameny a kořeny. Mohlo by dojít k poškození nože a ohnutí hřídele motoru. Ohnutý hřídel způsobuje velké vibrace a hrozí velmi vysoké riziko uvolnění nože.
- Pokud nůž narazí do nějakého předmětu nebo se objeví vibrace, okamžitě zastavte výrobek. Odpojte kabel zapalování od zapalovací svíčky. Zkontrolujte, zda není výrobek poškozený. Opravte poškozené díly nebo svěřte opravu schválenému servisnímu pracovníkovi.
- Po nastartování motoru nikdy nepřipevňujte páku brzdy motoru trvale k rukojeti sekačky.

Bezpečnostní pokyny pro provoz

Osobní ochranné prostředky



VÝSTRAHA: Před použitím výrobku si přečtěte následující varování.

- Osobní ochranné prostředky nemohou zcela eliminovat nebezpečí úrazu, ale v případě nehody pomáhají snížit míru poranění. Požádejte prodejce, aby vám pomohl vybrat správné vybavení.
- Používejte ochranu sluchu, pokud je hladina hluku vyšší než 85 dB.
- Používejte odolnou obuv s protiskluzovou podrážkou. Nepoužívejte otevřenou obuv ani neppracujte naboso.
- Používejte silné, dlouhé kalhoty.
- Při určitých činnostech používejte ochranné rukavice, například při nasazování, prohlídce nebo čištění žacího ústrojí.

Bezpečnostní zařízení na produktu



VÝSTRAHA: Před použitím výrobku si přečtěte následující varování.

- Nepoužívejte výrobek s poškozenými bezpečnostními zařízeními nebo se zařízeními, která nefungují správně.
- Pravidelně kontrolujte bezpečnostní zařízení. Pokud jsou bezpečnostní zařízení poškozená nebo

nefungují správně, obraťte se na schválený servis Husqvarna.

- Neprovádějte úpravy bezpečnostních zařízení.

Kontrola krytu žacího ústrojí

Kryt žacího ústrojí snižuje vibrace výrobku a snižuje nebezpečí poranění nožem.

- Zkontrolujte kryt žacího ústrojí, aby bylo zajištěno, že nevykazuje známky poškození, např. praskliny.

Kontrola krytu řemene

Kryt řemene snižuje nebezpečí poranění a zajišťuje, že nevyletí přetřžený hnací řemen.

- Zkontrolujte, zda není kryt řemene poškozený a zda je správně upevněný. (Obr. 15)

Páka brzdy motoru

Páka brzdy motoru slouží k zastavení motoru. Když uvolníte páku brzdy motoru, motor se zastaví.

Chcete-li zkontrolovat brzdu motoru, nastartujte motor a uvolněte páku brzdy motoru. Pokud se motor ne vypne během 3 sekund, požádejte schváleného servisního pracovníka Husqvarna o seřízení brzdy motoru.

(Obr. 16)

Kontrola systému tlumení vibrací



VÝSTRAHA: Přílišné vystavení vibracím může u osob se zhoršenou funkcí krevního oběhu vést k poruchám oběhového nebo nervového systému. Pokud pocítíte příznaky obtíží způsobených nadměrným vystavením vibracím, vyhledejte lékařskou pomoc. Mezi tyto příznaky může patřit znecitlivění některých částí těla, ztráta citu v rukou, brnění, píchání, bolest, ztráta síly, změna barvy nebo stavu kůže. Tyto příznaky se obvykle objevují v prstech, na rukou nebo v zápěstí.

Systém tlumení vibrací snižuje vibrace v řídítkách během provozu.

Ocelová trubka v řídítkách a kryt žacího ústrojí snižují vibrace. Model KLIPPO LB 548SQe má také 4 antivibrační prvky, které jsou připevněné k řídítkům.

- Zkontrolujte řídítka a antivibrační prvky, aby bylo zajištěno, že nejsou poškozené. (Obr. 17)

Unášec nože

Unášec nože snižuje nebezpečí ohnutí hřídele motoru. Pokud nůž narazí do nějakého předmětu, bude se pohybovat proti unášeci nože. Tento pohyb způsobí opotřebení na povrchu unášече nože. Opotřebení ukazuje, že ochrana hřídele motoru funguje správně.

Tlumič výfuku

Tlumič výfuku je určen k omezení úrovně hluku na minimum a k usměrnění výfukových plynů směrem od obsluhy.

Nepoužívejte výrobek bez tlumiče výfuku nebo s poškozeným tlumičem. Poškozený tlumič zvyšuje úroveň hluku a nebezpečí požáru.



VÝSTRAHA: Tlumič výfuku je během provozu a po použití velmi horký, i když motor pracuje na volnoběžné otáčce. Aby se zabránilo požáru, dbejte zvýšené opatrnosti v blízkosti hořlavých materiálů a plynů.

Kontrola tlumiče výfuku

- Pravidelně kontrolujte tlumič výfuku, aby bylo zajištěno, že je řádně upevněný a že není poškozený.

Bezpečnost při manipulaci s palivem



VÝSTRAHA: Před použitím výrobku si přečtěte následující varování.

- Pokud je na výrobku palivo nebo olej, nespouštějte ho. Nechtěně palivo/olej z výrobku odstraňte a nechte výrobek uschnout.
- Pokud si palivem polijete oblečení, okamžitě se převlékněte.
- Zabraňte styku paliva s tělem, může způsobit zranění. Pokud se polijete palivem, omyjte zasažené místo vodou a mýdlem.
- Nepouštějte motor, pokud z něj něco uniká. Pravidelně kontrolujte, jestli z motoru nic neuniká.
- Při manipulaci s palivem buďte opatrní. Palivo je hořlavé a výpary jsou výbušné a mohou způsobit zranění nebo smrt.
- Nevdechujte palivové výpary, mohou způsobit zranění. Zajistěte dostatečný průtok vzduchu.
- V blízkosti paliva ani motoru nekuřte.
- Do blízkosti paliva ani motoru neumístejte horké předměty.
- Když je spuštěný motor, nedoplňujte palivo.
- Než začnete doplňovat palivo, přesvědčte se, že je motor studený.
- Než doplníte palivo, pomalu otevřete uzávěr palivové nádrže a opatrně uvolněte tlak.
- Palivo do motoru nedoplňujte ve vnitřních prostorech. Nedostatečné proudění vzduchu může způsobit zranění nebo smrt udušením nebo otravou kyslíkem uhelnatým.
- Pevně dotáhněte víčko palivové nádrže. Není-li víčko palivové nádrže dotažené, hrozí nebezpečí požáru.
- Než výrobek spustíte, přejděte s ním minimálně 3 m (10 stop) od místa, kde jste doplňovali palivo.

- Nenaplňujte palivovou nádrž na maximum. Teplem dochází k rozpinání paliva. V horní části palivové nádrže udržujte volný prostor.

Bezpečnostní pokyny pro údržbu



VÝSTRAHA: Před použitím výrobku si přečtěte následující varování.

- Výfukové plyny obsahují oxid uhelnatý, jedovatý a velmi nebezpečný plyn bez zápachu. Nenechávejte motor spuštěný ve vnitřních nebo uzavřených prostorech.
- Před prováděním údržby výrobku nejprve vypněte motor a odpojte kabel zapalování od zapalovací svíčky.

- Při provádění údržby žacího ústrojí používejte ochranné rukavice. Nůž je velmi ostrý a může snadno dojít k pořezání.
- Příslušenství a změny výrobku, které neschválí výrobce, mohou způsobit vážné zranění nebo úmrtí. Neprovádějte změny na výrobku. Vždy používejte výhradně příslušenství schválené výrobcem.
- Při nesprávném nebo nepravidelném provádění údržby se zvyšuje nebezpečí poranění a poškození výrobku.
- Provádějte pouze údržbu uvedenou v tomto návodu k používání. Veškerý ostatní servis musí provést schválený servisní pracovník Husqvarna.
- Servis výrobku by měl provádět schválený servisní pracovník Husqvarna v pravidelných intervalech.
- Poškozené, opotřebené či prasklé součásti vyměňte.

Montáž

Úvod



VÝSTRAHA: Před montáží výrobku je třeba, abyste si přečetli a porozuměli kapitole o bezpečnosti.



VÝSTRAHA: Před montáží výrobku sejměte koncovku kabelu zapalovací svíčky ze zapalovací svíčky.

Montáž a seřízení řídítek

1. Odmontujte matici řídítek a podložku z destičky na horní části řídítek.
2. Umístěte horní část řídítek do polohy nad dolní část řídítek.



VAROVÁNÍ: Zkontrolujte, zda se nezachytila lanka a zda nejsou poškozená.

3. Namontujte podložku a matici řídítek. (Obr. 18)
4. Pokud pracujete s výrobkem v blízkosti stěny, otočte řídítka do strany do vhodné provozní polohy. (Obr. 19)
5. Chcete-li nastavit řídítka do svislé polohy, otočte nastavovací kolečka na podvozku. (Obr. 20)

Montáž mulčovací vložky (KLIPPO LB 448S, KLIPPO LB 448SQ, KLIPPO LB 548SQe)

1. Nakloňte výrobek dozadu se zapalovací svíčkou směrem nahoru.
2. Vložte kolíky mulčovací vložky do otvorů z vnitřní strany krytu žacího ústrojí. (Obr. 21)
3. Namontujte šrouby pro mulčovací vložku z vnější strany krytu žacího ústrojí. (Obr. 22)

Provoz

Úvod



VÝSTRAHA: Před používáním produktu je třeba, abyste si přečetli a porozuměli kapitole o bezpečnosti.

Husqvarna Connect

Husqvarna Connect je bezplatná aplikace pro mobilní zařízení. Aplikace Husqvarna Connect dodá vašemu výrobku Husqvarna doplňkové funkce:

- Rozšířené informace o výrobku.

- Informace o dílech a servisu a nápověda pro tyto položky.

Jak začít používat aplikaci Husqvarna Connect

1. Stáhněte si aplikaci Husqvarna Connect do svého mobilního zařízení.
2. V aplikaci Husqvarna Connect se zaregistrujte.
3. Při připojování a registraci výrobku postupujte podle pokynů v aplikaci Husqvarna Connect.

Před použitím výrobku

1. Pozorně si prostudujte tento návod k používání a nepoužívejte výrobek, pokud návodu zcela nerozumíte.
2. Zkontrolujte žací ústrojí, aby bylo zajištěno, že je řádně připevněné a nastavené. Viz *Kontrola žacího ústrojí na strani 44*.
3. Naplňte palivovou nádrž. Viz *Doplňování paliva na strani 42*.
4. Doplňte olej do olejové nádrže a zkontrolujte hladinu oleje. Viz *Kontrola hladiny oleje na strani 45*.

Doplňování paliva

Pokud možno použijte alkylátový benzín s nízkými emisemi. Není-li k dostání alkylátový benzín s nízkými emisemi, používejte kvalitní bezolovnatý benzín nebo olivnatý benzín s oktanovým číslem nejméně 90.



VAROVÁNÍ: Nepoužívejte benzín s oktanovým číslem nižším než 90 RON (87 AKI). Můžete tím výrobek poškodit.

1. Víčko palivové nádrže otevřete pomalu, aby se uvolnil tlak.
2. Palivo doplňte pomalu z kanystru. Dojde-li k rozliti paliva, odstraňte jej utěrkou a zbývající palivo nechte vypařit. (Obr. 23)
3. Očistěte plochu kolem víčka palivové nádrže.
4. Pevně dotáhněte víčko palivové nádrže. Není-li víčko palivové nádrže dotažené, hrozí nebezpečí požáru.
5. Než výrobek spustíte, přejděte s ním minimálně 3 m (10 stop) od místa, kde jste doplňovali palivo.

Nastavení výšky sečení

Výšku sečení lze nastavit v 6 úrovních.

1. Chcete-li výšku sečení zvýšit, posuňte páku pro nastavení výšky sečení dopředu.
2. Chcete-li výšku sečení snížit, posuňte páku pro nastavení výšky sečení dozadu.



VAROVÁNÍ: Nenastavujte výšku sečení příliš nízko. V případě, že není povrch trávníku rovný, mohou nože přijít do styku se zemí.

Spuštění výrobku

1. Zkontrolujte, zda je kabel zapalování připojený k zapalovací svíčke.

2. Otevřete ventil přívodu paliva. (Obr. 24)
3. Postavte se za výrobek.
4. Držte páku motorové brzdy přitisknutou k rukojeti sekačky. (Obr. 25)
5. Uchopte rukojeť startovací šňůry pravou rukou.
6. Pomalu vytáhněte startovací šňůru, dokud neucítíte odpor.
7. Nastartujte motor silným zatáhnutím za šňůru.



VÝSTRAHA: Nikdy si neomotávejte startovací šňůru kolem ruky.



VAROVÁNÍ: Nevytahujte zcela startovací šňůru. Když je startovací šňůra vytažená, nepouštějte rukojeť.

Použití pohonu kol ()

- Zatačte páčku pojezdu dolů. (Obr. 26)
- Pokud chcete táhnout výrobek dozadu, odpojte pohon a zatačte výrobek dopředu přibližně 10cm.
- V blízkosti překážek uvolněte částečně rukojeť motorové brzdy, aby se deaktivoval pohon.

Zastavení výrobku

- Chcete-li zastavit pouze pojezd, uvolněte částečně rukojeť motorové brzdy.
- Motor zastavíte kompletním uvolněním rukojeti motorové brzdy.
- Zavřete ventil přívodu paliva. (Obr. 27)

Jak docílit dobrých výsledků

- Používejte vždy ostrý nůž. Při použití tupého nože je stříh nepravidelný a posečený povrch trávy žlutne. Ostrý nůž také vyžaduje méně energie než tupý nůž.
- Nesekejte více než 1/3 výšky trávy. Nejprve sekejte se žacím ústrojím nastaveným vysoko. Zkontrolujte výsledek a případně snižte výšku sečení na požadovanou úroveň. Pokud je tráva velmi vysoká, jezděte pomalu a v případě potřeby sekejte 2krát.
- Sekejte vždy v jiném směru, aby na trávníku nevznikly pruhy.
- Udržujte kryt žacího ústrojí čistý. Nahromaděná tráva a nečistoty na vnitřní straně krytu žacího ústrojí mohou snížit výsledek sečení. Další informace jsou uvedeny v části *Čištění výrobku znečistěnou na strani 43*.

Údržba

Úvod



VÝSTRAHA: Před prováděním údržby je třeba, abyste si přečetli kapitolu o bezpečnosti a porozuměli jí.

Pro servis a opravy výrobku je nezbytné speciální školení. Garantujeme dostupnost profesionálních oprav a servisu. Pokud prodejce neposkytuje servisní služby, požádejte jej o informace o nejbližším servisu.

Podrobnější informace jsou uvedeny v části www.husqvarna.com.

Plán údržby

Intervaly údržby se vypočítávají na základě každodenního používání výrobku. Intervaly se mění, není-li výrobek používán denně.

U údržby označené symbolem * vyhledejte pokyny v části *Bezpečnostní zařízení na produktu na strani 39*.

Údržba	Denně	Týdně	Měsíčně
Proveďte běžnou kontrolu.	X		
Zkontrolujte hladinu oleje.	X		
Vyčistěte výrobek.	X		
Vyčistěte vzduchový filtr.	X		
Zkontrolujte žací ústrojí.	X		
Zkontrolujte kryt žacího ústrojí.*	X		
Zkontrolujte páku brzdy motoru.*	X		
Zkontrolujte tlumič výfuku.*		X	
Zkontrolujte zapalovací svíčku.		X	
Zkontrolujte, zda není poškozen hnací řemen.			X
Vyčistěte skříň převodovky.			X
Pro model KLIPPO LB 448S, KLIPPO LB 453S: Vyměňte olej (poprvé po 5 h použití, poté po každých 25 h použití a jednou ročně).			X
Pro model KLIPPO LB 448SQ, KLIPPO LB 453SQ, KLIPPO LB 548SQe: Vyměňte olej (poprvé po 5 h použití, poté po každých 100 h použití a jednou ročně).			X
Vyměňte vzduchový filtr.			X
Zkontrolujte palivový systém.			X
Zkontrolujte a nastavte pohon (lanko spojky).			X

Provedení běžné kontroly

- Zajistěte, aby byly všechny matice a šrouby na výrobku správně dotaženy.

Čištění výrobku zvenjšku

- Pomocí kartáče odstraňte listí, trávu a nečistoty.
- Zkontrolujte, zda není přívod vzduchu v horní části motoru ucpaný.
- K čištění produktu nepoužívejte vodu pod vysokým tlakem.

- Pokud používáte vodu k čištění motoru, nestříkejte ji přímo na motor.

Čištění vnitřního povrchu krytu žacího ústrojí

1. Položte výrobek na bok s výfukem dole.



VAROVÁNÍ: Pokud byste položili výrobek se vzduchovým filtrem dole, mohl by se poškodit motor.

2. Opláchněte vodou z hadice vnitřní povrch krytu žacího ústrojí.

Kontrola hnacího řemene a čištění skříňné převodovky

1. Vyšroubujte 4 šrouby na krytu řemene a sejměte kryt. (Obr. 28)
2. Zkontrolujte, zda není poškozený hnací řemen a řemenice.
3. Pomocí kartáče ze skříňné převodovky odstraňte listí, trávu a nečistoty. (Obr. 29)

Výměna a seřízení hnacího řemene

1. Vyšroubujte 4 šrouby na krytu řemene a sejměte kryt. (Obr. 28)
2. Vložte plochý šroubovák mezi kryt náboje a kolo na pravém předním kole výrobku.
3. Otočte opatrně šroubovákem a sejměte kryt náboje.
4. Odmontujte šroub kola a sundejte kolo. (Obr. 30)
5. Sejměte hnací řemen z řemenic.
6. Zkontrolujte, zda se řemenice pohybují snadno na hřídelích.
7. V případě potřeby nastříkejte penetrační olej mezi řemenice a za řemenice a promažte hřídel.
8. Nasadte nový hnací řemen a připevněte jej správně na kuličkové ložisko ještě před seřízením hnacího řemene. (Obr. 31)
9. Posunem kuličkového ložiska nahoru nebo dolů seřídte hnací řemen. (Obr. 32)

Povšimněte si: Nový hnací řemen se použitím prodlužuje. Seřídte hnací řemen znovu po několika hodinách provozu.

10. Připevněte kryt řemene.
11. Použijte výrobek a ujistěte se, že je hnací řemen správně instalován a seřízen.

Výměna a seřízení prostředního řemene

1. Odmontujte nůž.

Povšimněte si: Tento krok není nezbytný, pokud seřizujete pouze prostřední řemen.

2. Povolte seřizovací šrouby o několik otáček, ale nevyšroubujte je zcela. (Obr. 33)
3. Vyměňte prostřední řemen a středně utáhněte seřizovací šrouby.

Povšimněte si: Tento krok není nezbytný, pokud seřizujete pouze prostřední řemen.

4. Pohybem ozubeného kolečka dopředu nebo dozadu seřídte prostřední řemen. (Obr. 34)

5. Pomocí hákové váhy zkontrolujte napnutí prostředního řemenu. Řemen je správně napnutý, pokud se může pohybovat v rozsahu 6–10 mm ve středu. To se rovná vytažení hmotností 3 kg. (Obr. 35)
6. Zcela dotáhněte seřizovací šrouby utahovacím momentem 3 Nm.
7. Použijte výrobek a ujistěte se, že je hnací řemen správně instalován a seřízen.

Kontrola žacího ústrojí



VÝSTRAHA: Aby se zabránilo náhodnému spuštění, odpojte kabel zapalování od zapalovací svíčky.



VÝSTRAHA: Při provádění údržby žacího ústrojí používejte ochranné rukavice. Nůž je velmi ostrý a může snadno dojít k pozezání.

1. Zkontrolujte žací ústrojí ohledně poškození a prasklin. Poškozené žací ústrojí vždy vyměňte.
2. Prohlédněte nůž a zkontrolujte, zda není poškozený nebo tupý.

Povšimněte si: Po ostření je nezbytné nůž vyvážit. Výměnu, ostření a vyvážení nože svěšte servisnímu středisku. Dojde-li k nárazu do překážky, po kterém dochází k vypínání výrobku, vyměňte poškozený nůž. O tom, zda je možné nůž nabrousit či zda je nutné ho vyměnit, rozhodne servisní středisko.

Postup výměny nože

1. Zajistěte nůž pomocí dřevěného špalíku. (Obr. 36)
2. Odmontujte šroub nože, pružnou podložku a nůž. (Obr. 37)
3. Zkontrolujte, zda nejsou unášec nože a šroub nože poškozené.
 - a) Při výměně nože nebo unášče nože rovněž vyměňte šroub nože, pružnou podložku a třecí podložku.
4. Prohlédněte hřídel motoru a ujistěte se, zda není ohnutý.
5. Při montáži nového nože se ujistěte, že jsou konce nože zahnuté ve směru krytu žacího ústrojí. (Obr. 38)
6. Nasadte třecí podložku a nůž na unášec nože. (Obr. 39)
7. Zkontrolujte, zda je nůž zarovnaný se středem hřídele. (Obr. 40)
8. Zajistěte nůž pomocí dřevěného špalíku. (Obr. 41)
9. Nasadte pružnou podložku a dotáhněte šroub utahovacím momentem 80 Nm. (Obr. 42)

- Otočte nožem rukou a zkontrolujte, zda se volně otáčí.



VÝSTRAHA: Používejte ochranné rukavice. Nůž je velmi ostrý a může snadno dojít k pořezání.

- Nastartujte výrobek a proveďte test nože. Pokud není nůž správně připevněn, výrobek vibruje a výsledky sečení nejsou uspokojivé.

Kontrola hladiny oleje



VAROVÁNÍ: Příliš nízká hladina oleje může způsobit poškození motoru. Před spuštěním výrobku zkontrolujte hladinu oleje.

- Umístěte výrobek na rovnou plochu.
- Sejměte víčko olejové nádrže s olejovou měrkou.
- Setřete olej z olejové měrky.
- Zasuňte měrku až na doraz do olejové nádrže. Utáhněte víčko olejové nádrže, abyste správně zjistili hladinu oleje.
- Vyjměte olejovou měrku.
- Zkontrolujte hladinu oleje na olejové měrce.
- Pokud je hladina nízká, doplňte motorový olej a znovu zkontrolujte hladinu oleje.

(Obr. 43)

Povšimněte si: Použijte trychtýř, aby nedošlo k rozlití.

Výměna motorového oleje



VÝSTRAHA: Motorový olej je bezprostředně po vypnutí motoru velmi horký. Před vypuštěním nechte motorový olej vychladnout. Pokud si potřísníte pokožku motorovým olejem, omyjte ji mýdlem a vodou.

(Obr. 44)

- Odmontujte kabel zapalování od zapalovací svíčky.
- Sejměte víčko olejové nádrže.
- Vypusťte motorový olej.
 - U modelů s vypouštěcí zátkou oleje: Umístěte nádobu pod vypouštěcí zátku oleje tak, aby do ní mohl vytéct motorový olej.
 - U modelů bez vypouštěcí zátky oleje nebo pokud není možné umístit pod vypouštěcí zátku oleje nádobu: Pomocí čerpadla oleje (příslušenství) vypusťte motorový olej z nádrže motorového oleje.

- Doplňte nový motorový olej typu doporučeného v části *Technické údaje na strani 47*.
- Zkontrolujte hladinu oleje. Viz část *Kontrola hladiny oleje na strani 45*.

Vzduchový filtr

Povšimněte si: Vzduchový filtr, který byl používán po delší dobu, již nelze zcela vyčistit. V pravidelných intervalech měňte vzduchový filtr. Poškozený vzduchový filtr vždy vyměňte.

Demontáž a montáž vzduchového filtru (KLIPPO LB 488SQ, KLIPPO LB 453SQ, KLIPPO LB 548Qe)



VÝSTRAHA: Používejte ochranné rukavice.

- Stiskněte spony na krytu vzduchového filtru.
- Opatrně sejměte kryt vzduchového filtru (A) z motoru.
- Demontujte vzduchový filtr (B) a pěnový filtr (C). (Obr. 45)
- Zkontrolujte, jestli není vzduchový filtr poškozený. Poškozený vzduchový filtr vyměňte.
- Vyčistěte a prohlédněte vzduchový filtr. Viz část *Čištění vzduchového filtru (KLIPPO LB 448SQ, KLIPPO LB 453SQ, KLIPPO LB 548Qe) na strani 45*.
- Montáž proveďte v opačném pořadí.

Čištění vzduchového filtru (KLIPPO LB 448SQ, KLIPPO LB 453SQ, KLIPPO LB 548Qe)



VAROVÁNÍ: Nepoužívejte motor bez namontovaného vzduchového filtru nebo se znečištěným vzduchovým filtrem.



VAROVÁNÍ: Pokud nelze vzduchový filtr zcela vyčistit nebo je poškozený, vyměňte jej. Poškozený vzduchový filtr může způsobit poškození motoru.

- Stiskněte úchytky západky (A), demontujte kryt vzduchového filtru (B) a vyjměte vzduchový filtr (C). (Obr. 46)
- Poklepejte vzduchovým filtrem o tvrdý povrch nebo jej profoukněte stlačeným vzduchem z čisté strany vzduchového filtru.



VAROVÁNÍ: K odstranění nečistot nepoužívejte kartáč, protože tak se špína zatlačí do vzduchového filtru.

3. Očistěte držák vzduchového filtru (D) a kryt vzduchového filtru navlhčeným hadříkem.



VAROVÁNÍ: Zajistěte, aby se do vzduchového kanálu (E) nedostaly nečistoty.

4. Namontujte vzduchový filtr. Zkontrolujte, zda vzduchový filtr dokonale těsní proti držáku vzduchového filtru.
5. Namontujte kryt vzduchového filtru spodními úchytkami napřed.

Čištění vzduchového filtru (KLIPPO LB 448S, KLIPPO LB 453S)



VAROVÁNÍ: Nepoužívejte motor bez namontovaného vzduchového filtru nebo se znečištěným vzduchovým filtrem.



VAROVÁNÍ: Pokud nelze vzduchový filtr zcela vyčistit nebo je poškozený, vyměňte jej. Poškozený vzduchový filtr může způsobit poškození motoru.

1. Stiskněte úchytky západky (A), demontujte kryt vzduchového filtru (B) a vyjměte vzduchový filtr (C). (Obr. 47)
2. Poklepejte vzduchovým filtrem o tvrdý povrch nebo jej profoukněte stlačeným vzduchem z čisté strany vzduchového filtru.



VAROVÁNÍ: K odstranění nečistot nepoužívejte kartáč, protože tak se špína zatlačí do vzduchového filtru.

3. Očistěte držák vzduchového filtru (D) a kryt vzduchového filtru navlhčeným hadříkem.



VAROVÁNÍ: Zajistěte, aby se do vzduchového kanálu (E) nedostaly nečistoty.

4. Namontujte vzduchový filtr. Zkontrolujte, zda vzduchový filtr dokonale těsní proti držáku vzduchového filtru.

5. Namontujte kryt vzduchového filtru spodními úchytkami napřed.

Kontrola zapalovací svíčky



VAROVÁNÍ: Vždy používejte doporučený typ zapalovacích svíček. Nesprávný typ zapalovací svíčky může způsobit poškození výrobku.

- Zkontrolujte zapalovací svíčku, pokud má motor malý výkon, špatně startuje nebo nefunguje správně ve volnoběžných otáčkách.
- Aby se snížilo nebezpečí přítomnosti nechtěných materiálů na elektrodách zapalovací svíčky, dodržujte tyto pokyny:
 - a) Zkontrolujte, zda jsou správně nastaveny volnoběžné otáčky.
 - b) Zkontrolujte správnost palivové směsi.
 - c) Zkontrolujte, zda je vzduchový filtr čistý.
- Jestliže je zapalovací svíčka znečištěná, vyčistěte ji a zkontrolujte, zda je vzdálenost elektrod zapalovací svíčky správná, viz část *Technické údaje na strani 47*. (Obr. 48)
- V případě potřeby zapalovací svíčku vyměňte.

Kontrola palivového systému

- Prohlédněte víčko palivové nádrže a těsnění víčka a ujistěte se, že nejsou poškozené.
- Prohlédněte hadici přívodu paliva a ujistěte se, že nedochází k úniku. Pokud je hadice přívodu paliva poškozená, požádejte servisního pracovníka o výměnu.

Seřízení lanka spojky

Pokud je pojezd pomalý, je nezbytné seřídit lanko spojky.

- Otočte seřizovacím šroubem. (Obr. 49)

Lanko spojky je správně seřízené, pokud je držák lanka spojky zarovnaný s maticí.

(Obr. 50)

Přeprava, skladování a likvidace

Přeprava a skladování

- Před uskladněním a přepravou výrobku či paliva zkontrolujte, zda nejsou přítomny známky úniku nebo výparů. Jiskry a otevřený oheň, například z elektrických zařízení nebo kotlů, mohou zažehnout požár.
- Vždy používejte schválené nádoby na skladování a přepravu paliva.

- Před dlouhodobým skladováním výrobku vyprázdněte palivovou nádrž. Odevzdejte palivo na příslušném sběrném místě
- Během přepravy musí být výrobek bezpečně upevněný, aby se zabránilo jeho poškození a nehodám.
- Skladujte výrobek na uzamčeném místě, aby se zamezilo přístupům dětí a neoprávněných osob.
- Uchovávejte výrobek na suchém a bezprašném místě.

Likvidace

- Dodržujte místní požadavky ohledně recyklace a platné předpisy.
- Odevzdejte všechny chemikálie, například motorový olej nebo palivo, v servisním středisku nebo na příslušném sběrném místě.

- Nehodláte-li výrobek dále používat, odešlete jej prodejci Husqvarna nebo jej dopravte do recyklační stanice.

Technické údaje

Technické údaje

	KLIPPO LB 448S	KLIPPO LB 448SQ	KLIPPO LB 453S	KLIPPO LB 453SQ	KLIPPO LB 548SQe
Motor					
Značka	Honda	Husqvarna	Honda	Husqvarna	Husqvarna
Model	GCVX-145	HS 166AP	GCVx-170	HS 166AP	HS 166AP
Typ motoru	Jednoválcový, čtyřdobý, nucené chlazení vzduchem, rozvod OHV	Jednoválcový, čtyřdobý, nucené chlazení vzduchem, rozvod OHV	Jednoválcový, čtyřdobý, nucené chlazení vzduchem, rozvod OHV	Jednoválcový, čtyřdobý, nucené chlazení vzduchem, rozvod OHV	Jednoválcový, čtyřdobý, nucené chlazení vzduchem, rozvod OHV
Zdvihový objem, cm ³	145	166	166	166	166
Rychlost, ot/min	2900	2900	2900	2900	2900
Jmenovitý výkon motoru, kW ¹¹	2,7	2,75	3,3	2,75	2,75
Systém zapalování					
Zapalovací svíčka	NGK BPR5ES	Husqvarna HQT-7	NGK BPR5ES	Husqvarna HQT-7	Husqvarna HQT-7
Elektrodová vzdálenost, mm	0,7–0,8	0,7–0,8	0,7–0,8	0,7–0,8	0,7–0,8
Systém mazání a palivový systém					
Typ mazání motoru	Rozstříkovací	Rozstříkovací	Rozstříkovací	Rozstříkovací	Rozstříkovací
Objem palivové nádrže, l	0,9	1,5	0,9	1,5	1,5
Objem olejové nádrže, l	0,5	0,5	0,55	0,5	0,5
Motorový olej ¹²	Husqvarna SAE 30	Husqvarna SAE 30	Husqvarna SAE 30/SAE 10W-30	Husqvarna SAE 30/SAE 10W-30	Husqvarna SAE 30/SAE 10W-30
Hmotnost					
S prázdnými nádržemi, kg	30,5	32,5	33	33,5	34,5

¹¹ Uvedený jmenovitý výkon motoru je průměrný čistý výkon (při specifikovaných ot/min) typického motoru pro model motoru měřený podle normy SAE J1349/ISO1585. Sériově vyráběné motory se od této hodnoty mohou lišit. Skutečný výstupní výkon motoru instalovaného na konečném výrobku závisí na provozních otáčkách, povětrnostních podmínkách a dalších hodnotách.

¹² Pokud použijete olej SAE-30 při teplotě nižší než +5 °C, hrozí nebezpečí nedostatečného promazání motoru. Může dojít k poškození motoru. Viz část *Výměna motorového oleje na strani 45* se správným olejem pro nízké teploty.

	KLIPPO LB 448S	KLIPPO LB 448SQ	KLIPPO LB 453S	KLIPPO LB 453SQ	KLIPPO LB 548SQe
Emise hluku ¹³					
Hladina akustického výkonu, změřená dB (A)	90	93	91	94	92
Hladina akustického výkonu, zaručená L _{WA} dB (A)	91	93	94	95	93
Hladiny hluku ¹⁴					
Hladina akustického tlaku na sluch obsluhy, dB (A)	77	79	78	81	79
Úrovně vibrací, a_{hveq} ¹⁵					
Říditka, m/s ²	4,5	4,2	5,3	6,4	4
Žací ústrojí					
Výška sečení, mm	30–60	30–60	30–60	30–60	30–60
Šířka sečení, mm	480	480	530	530	480
Nůž	Mulčovací – 48 cm 5028813-10	Mulčovací – 48 cm 5028813-10	Mulčovací – 53 cm 5028814-10	Mulčovací – 53 cm 5028814-10	Mulčovací – 48 cm 5028813-10
Pohon					
Rychlost, km/h	4,5	4,5	4,5	4,5	4,5

¹³ Emise hluku do okolního prostředí měřené jako akustický výkon (L_{WA}) v souladu se směrnicí 2000/14/ES.

¹⁴ Hladina akustického tlaku měřená podle normy ISO 5395. Uváděná data pro hladinu tlaku zvuku mají typickou statistickou odchylku (standardní odchylku) 1,2 dB (A).

¹⁵ Hladina vibrací měřená podle normy ISO 5395. Uváděná data o úrovni vibrací mají typickou statistickou odchylku (standardní odchylku) 0,2 m/s².

Prohlášení o shodě

Prohlášení o shodě EU

Společnost **Husqvarna AB**, SE-561 82 Huskvarna,
Švédsko, tel.: +46-36-146500, na svou výhradní
odpovědnost prohlašuje, že výrobek:

Popis	Sekačka na trávu
Značka	Husqvarna
Typ/Model	KLIPPO LB 448S, KLIPPO LB 453S, KLIPPO LB 448SQ, KLIPPO LB 453SQ, KLIPPO LB 548SQe
Identifikace	Výrobní čísla od roku 2022 a dále

je zcela ve shodě s následujícími směrnicemi a předpisy
EU:

Směrnice/předpis	Popis
2006/42/ES	„o strojních zařízeních“
2014/30/EU	„o elektromagnetické kompatibilitě“
2000/14/ES	„týkající se emisí hluku do okolního prostředí“
2011/65/EU	„o omezení používání některých nebezpečných látek v elektrických a elektronických zařízeních“

a že byly použity následující normy nebo technické
specifikace: EN ISO 5395-1:2013/A1:2018, EN ISO
5395-2:2013/A1:2016/A2:2017, EN ISO 14982:2009, EN
IEC 63000:2018.

Oznámený subjekt: 0404, RISE SMP Svensk
Maskinprovning AB, Box 4053, SE-904 03 Umeå,
Sweden. obdržel osvědčení o shodě se směrnicí rady
2000/14/ES, postup posouzení shody: Dodatek VI.

Informace o emisích hluku najdete v části *Technické
údaje na strani 47*.

Huskvarna, 2023-02-07



Claes Losdal, Development Manager/Garden Products
(ředitel vývoje zahradního sortimentu), Husqvarna AB

Osoba odpovědná za technickou dokumentaci



Indhold

Indledning.....	50	Vedligeholdelse.....	55
Sikkerhed.....	51	Transport, opbevaring og bortskaffelse.....	59
Montering.....	54	Tekniske data.....	59
Drift.....	54	Overensstemmelseserklæring.....	62

Indledning

Produktbeskrivelse

Produktet er en roterende plæneklipper med gående fører, der anvender BioClip® til at klippe græsset til gødning.

Produktoversigt

(Fig. 1)

1. Styr / håndtag
2. Motorbremsehåndtag
3. Styrehåndtag
4. Startsnorens håndgreb
5. Oliedæksel
6. Remafskærmning
7. Lyddæmper
8. Tændrør
9. Remafskærmning
10. Brændstoftank
11. Håndtag til vinkeljustering af håndtaget
12. Vibrationsdæmpningssystem
13. Justering af koblingskabel
14. Klippehøjdehåndtag
15. Benzinventil
16. Luffilter
17. Klippebord
18. Fjederskive
19. Knivbolt
20. Kniv
21. Knivophæng
22. Bioklipblænde KLIPPO LB 448S, KLIPPO LB 448SQ, KLIPPO LB 548SQe
23. Brugervejledning

Symboler på produktet

- (Fig. 2) ADVARSEL: Skødesløs eller forkert brug kan medføre personskaade eller dødsfald for føreren eller andre.
- (Fig. 3) Læs brugervejledningen omhyggeligt igennem, og sørg for at have forstået instruktionerne, inden du bruger produktet.

Anvendelsesformål

Brug produktet til at slå græs. Brug ikke produktet til andre opgaver.

- (Fig. 4) Pas på udslyngede genstande og rikochettering.
- (Fig. 5) Hold uvedkommende personer og dyr på sikker afstand af arbejdsstedet.
- (Fig. 6) Stands motoren, og fjern tændingskablet, før der udføres reparationer eller vedligeholdelsesarbejde.
- (Fig. 7) Advarsel: Hold hænder og fødder på sikker afstand af bevægelige dele.
- (Fig. 8) Advarsel: Hold hænder og fødder på sikker afstand af den roterende kniv.
- (Fig. 9) Dette produkt er i overensstemmelse med gældende EF-direktiver.
- (Fig. 10) Dette produkt er i overensstemmelse med gældende UK-bestemmelser.
- (Fig. 11) Produktet er i overensstemmelse med de gældende Eurasian Customs Union-direktiver. Kun gyldig for KLIPPO LB 448S & KLIPPO LB 453S.
- (Fig. 12) Mærkat vedrørende emission af støj til omgivelserne i henhold til direktiver og regulativer i EU og Storbritannien og New South Wales' lovgivning om "Beskyttelse af miljøet (støjbegrænsning) forordning 2017". Produktets garanterede lydeffektniveau er angivet i *Tekniske data på side 59* og på mærkaten.
- (Fig. 13) Kode, der kan scannes.

Bemærk: Andre symboler/mærkater på produktet henviser til markedsspecifikke lovkrav.

Mærkat på produktet, kun for Australien og New Zealand

(Fig. 14)

Hold hænder og fødder på sikker afstand af den roterende kling.

Euro V-emissioner



ADVARSEL: Ved manipulation af motoren bortfalder EU-typegodkendelsen af dette produkt.

Produktansvar

Som nævnt i produktansvarsbestemmelserne hæfter vi ikke for skader forårsaget af vores produkt, hvis:

- produktet er forkert repareret.
- produktet er repareret med dele, der ikke er fra producenten eller ikke er godkendt af producenten
- produktet har tilbehør, der ikke er fra producenten eller ikke er godkendt af producenten.
- produktet ikke er repareret på et godkendt servicecenter eller af en godkendt myndighed.

Sikkerhed

Sikkerhedsdefinitioner

Advarsler, forholdsregler og bemærkninger bruges til at pege på særligt vigtige dele af brugsanvisningen.



ADVARSEL: Bruges, hvis føreren udsætter sig selv eller omkringstående personer for risiko for personskade eller dødsfald ved tilsidesættelse af instruktionerne i brugsanvisningen.



BEMÆRK: Bruges, hvis der er risiko for skader på produktet, andre materialer eller det omgivende område ved tilsidesættelse af instruktionerne i brugsanvisningen.

Bemærk: Bruges til at give yderligere oplysninger, der er nødvendige i en given situation.

Generelle sikkerhedsinstruktioner



ADVARSEL: Læs følgende advarselsinstruktioner, inden du bruger produktet.

- Dette produkt er farligt, hvis det bruges forkert, eller hvis du ikke er forsigtig. Personskade eller dødsfald kan forekomme, hvis du ikke overholder sikkerhedsinstruktionerne.
- Dette produkt danner et elektromagnetisk felt under betjening. Dette felt kan i visse tilfælde påvirke aktive eller passive medicinske implantater. For at reducere risikoen for alvorlige eller døbringende kvæstelser anbefaler vi, at personer med medicinske implantater kontakter deres læge og producenten af det medicinske implantat, før de tager produktet i brug.
- Vær altid forsigtig, og brug din sunde fornuft. Hvis du ikke er sikker på, hvordan produktet betjenes en særlig situation: Stop, og kontakt Husqvarna-forhandleren, inden du fortsætter.

- Vær opmærksom på, at brugeren er ansvarlig for ulykker, der involverer andre personer eller disses ejendom.
- Hold produktet rent. Sørg for, at skilte og mærkater er tydeligt læsbare.
- Lad ikke en person bruge produktet, medmindre du er sikker på, at vedkommende har læst og forstået indholdet i denne brugervejledning.
- Lad ikke børn betjene produktet.
- Hold børn væk fra arbejdsområdet. En voksen skal være til stede hele tiden.
- Lad ikke en person uden kendskab til anvisningerne betjene produktet.
- Hold altid øje med personer med nedsat fysisk eller mental kapacitet, der bruger produktet. En voksen skal være til stede hele tiden.
- Brug ikke produktet, hvis du er træt, syg eller påvirket af alkohol, narkotika eller medicin. Det har en negativ virkning på synet, overblikket, koordinationssevnen og dømmekraften.
- Brug ikke et produkt, der er beskadiget eller ikke fungerer korrekt.
- Foretag ikke ændringer på produktet, og undlad at bruge det, hvis der er risiko for, at det er blevet ændret af andre.
- Foretag ikke ændringer i justeringen af motoromdrejningsstyringen.

Sikkerhed i arbejdsområdet



ADVARSEL: Læs følgende advarselsinstruktioner, inden du bruger produktet.

- Fjern genstande såsom grene, kviste og sten fra arbejdsområdet, inden du bruger produktet.
- Genstande, som rammer skæreudstyret, kan udslynges og forårsage person- og tingskade. Hold omkringstående personer og dyr på sikker afstand af produktet.
- Undlad at bruge produktet i dårligt vejr, som f.eks. tåge, regn, hård vind, kraftig kulde og ved risiko for lynnedslag. Det kan være trættende at bruge

produktet i dårligt vejr eller i fugtige eller våde områder. Dårligt vejr kan medføre farlige forhold, f.eks. glatte underlag.

- Pas på personer, genstande og situationer, som kan forhindre sikker brug af produktet.
- Pas på forhindringer som f.eks. rødder, sten, kviste, huller og grøfter. Langt græs kan skjule hindringer.
- Det kan være farligt at klippe græs på skråninger. Brug ikke produktet på skråninger, der hælder mere end 15°.
- Lad produktet køre på tværs af skråninger. Kør ikke op og ned.
- Vær forsigtig, når du nærmer dig uoverskuelige hjørner og genstande, som blokerer for udsynet.

Arbejdssikkerhed



ADVARSEL: Læs følgende advarselsinstruktioner, inden du bruger produktet.

- Brug kun produktet til græsslåning. Det er ikke tilladt at bruge det til andre opgaver.
- Bær personligt beskyttelsesudstyr. Se *Personligt beskyttelsesudstyr på side 52*.
- Sørg for, at du ved, hvordan du standser motoren hurtigt i nødstilfælde.
- Start aldrig motoren i et lukket rum eller i nærheden af brandfarlige materialer. Motorens udstødningsgasser er varme og kan indeholde gnister, som kan forårsage brand.
- Betjen ikke produktet, medmindre klingens og alle afskærmninger er monteret korrekt. En forkert monteret klinge kan løsne sig og forårsage personskade.
- Sørg for, at klingens ikke rammer genstande som f.eks. sten og rødder. Det kan beskadige kniven og bøje motorakselen. En bøjet aksel giver kraftige vibrationer og stor risiko for, at kniven løsner sig.
- Hvis kniven rammer en genstand, eller der opstår vibrationer, skal du straks standse produktet. Tag tændkablet af tændrøret. Undersøg, om produktet er blevet beskadiget. Reparer skader, eller lad et autoriseret serviceværksted udføre reparationen.
- Fastgør aldrig motorbremsehåndtaget permanent på styret, når motoren er startet.
- Anbring produktet på et stabilt, fladt underlag, og start det. Sørg for, at kniven ikke rammer jorden eller andre genstande.
- Hold dig altid bag produktet, mens du betjener det.
- Lad alle hjulene blive på jorden, og hold 2 hænder på styret, når du betjener produktet. Hold hænder og fødder på sikker afstand af de roterende klinger.
- Tip ikke produktet, når motoren er startet.
- Vær forsigtig, når du trækker produktet baglæns.
- Løft aldrig produktet, når motoren er startet. Hvis du skal løfte produktet, skal du først standse motoren og frakoble tændkablet fra tændrøret.

- Gå ikke baglæns, når du bruger produktet.
- Stand motoren, når du bevæger dig hen over områder uden græs, f.eks. stier med grus, sten og asfalt.
- Undlad at køre med produktet, når motoren er startet. Gå altid fremad, når du bruger produktet.
- Stand motoren, inden du ændrer klippehøjden. Foretag aldrig justeringer, når motoren er startet.
- Efterlad aldrig produktet uden opsyn, når motoren er startet. Stand motoren, og sørg for, at skæreudstyret ikke roterer.

Sikkerhedsinstruktioner for drift

Personligt beskyttelsesudstyr



ADVARSEL: Læs følgende advarselsinstruktioner, inden du bruger produktet.

- Personligt beskyttelsesudstyr udelukker ikke fuldstændigt risikoen for personskader, men det mindsker graden af skaderne i tilfælde af, at der skulle ske en ulykke. Lad forhandleren hjælpe dig med at vælge det rigtige udstyr.
- Brug høreværn, hvis støjniveauet er højere end 85 dB.
- Brug kraftige, skridsikre støvler eller sko. Brug ikke åbne sko, og gå heller ikke på bare fødder.
- Brug kraftige, lange bukser.
- Brug om nødvendigt beskyttelseshandsker, f.eks. ved montering, eftersyn eller rengøring af skæreudstyret.

Sikkerhedsanordninger på produktet



ADVARSEL: Læs følgende advarselsinstruktioner, inden du bruger produktet.

- Brug ikke et produkt med sikkerhedsanordninger, der er beskadigede eller ikke fungerer korrekt.
- Kontrollér sikkerhedsanordningerne regelmæssigt. Hvis sikkerhedsanordningerne er beskadigede eller ikke fungerer korrekt, skal du kontakte dit Husqvarna-serviceværksted.
- Foretag ikke ændringer på sikkerhedsanordninger.

Sådan kontrolleres klippeskjoldet

Klippeskjoldet mindsker vibrationer i produktet og reducerer risikoen for skader fra klingens.

- Undersøg klippeskjoldet for at sikre, at der ikke er skader såsom revner.

Sådan kontrolleres remafskærmningen

Remafskærmningen mindsker risikoen for skader og sikrer, at en ødelagt drivrem ikke skydes ud.

- Sørg for, at remafskærmningen ikke er beskadiget, og at den sidder korrekt. (Fig. 15)

Motorbremsehåndtag

Motorbremsehåndtaget standser motoren. Når motorbremsehåndtaget slippes, standser motoren.

Ved eftersyn af motorbremsen, startes motoren, hvorefter motorbremsehåndtaget slippes. Hvis motoren ikke standser inden for 3 sekunder, skal et godkendt Husqvarna serviceværksted justere motorbremsen.

(Fig. 16)

Sådan kontrolleres vibrationsdæmpningssystemet



ADVARSEL: Overeksponering for vibrationer kan forårsage kredsløbsforstyrrelser og skader på nervesystemet hos personer med nedsat kredsløb. Hvis du oplever symptomer, som kan relateres til overeksponering af vibrationer, skal du søge læge. Eksempler på sådanne symptomer er: følelseløshed, mangel på følesans, "kildren", "stikken", smerte, manglende eller reduceret styrke, forandringer i hudens farve eller i dens overflade. Disse symptomer opstår almindeligvis i fingre, hænder og håndled.

Vibrationsdæmpningssystemet reducerer vibrationer i håndtaget under drift.

Stålrøret i styret og klippeskjoldet mindsker vibrationer. KLIPPO LB 548SQe-modellen har også 4 vibrationsdæmpningsenheder fastgjort til styret.

- Undersøg styret og vibrationsdæmpningsenhederne for at sikre, at de ikke er beskadigede. (Fig. 17)

Klingeholder

Klingeophænget mindsker risikoen for, at motorakslen bøjer. Hvis klingen rammer en genstand, bevæger klingens sig mod klingeophænget. Bevægelsen forårsager slid på overfladen af klingeophænget. Sliddet viser, at beskyttelsen af motorakslen fungerer korrekt.

Lyddæmper

Lyddæmperen sikrer et minimalt støjniveau og sender udstødningsgasserne væk fra føreren.

Brug ikke produktet, hvis lyddæmperen mangler eller er beskadiget. En beskadiget lyddæmper øger støjniveauet og risikoen for brand.



ADVARSEL: Lyddæmperen bliver meget varm under og efter brug, og når motoren kører i tomgang. Vær forsigtig i nærheden af brandfarlige materialer og/eller dampe for at forhindre brand.

Sådan kontrolleres lyddæmperen

- Efterse lyddæmperen regelmæssigt for at sikre, at den er monteret korrekt og ikke er beskadiget.

Brændstofsikkerhed



ADVARSEL: Læs følgende advarselsinstruktioner, inden du bruger produktet.

- Start ikke produktet, hvis der er brændstof eller motorolie på produktet. Fjern uønsket brændstof/olie og lad produktet tørre.
- Hvis du får brændstof på dit tøj, skal du skifte tøj med det samme.
- Undgå at få brændstof på kroppen, da det kan forårsage personskader. Hvis du får brændstof på kroppen, skal du bruge sæbe og vand til at fjerne brændstoffet.
- Start ikke produktet, hvis motoren lækker. Undersøg regelmæssigt motoren for lækager.
- Vær forsigtig med brændstof. Brændstof er letantændeligt og dampe er eksplosive og kan medføre personskader eller dødsfald.
- Undgå at indånde brændstoffedampene, da det kan forårsage personskader. Sørg for, at der er tilstrækkelig luftstrøm.
- Ryg ikke i nærheden af brændstof eller motor.
- Anbring ikke varme genstande i nærheden af brændstof eller motor.
- Fyld ikke brændstof på, når motoren er tændt.
- Sørg for, at motoren er afkølet, inden du fylder brændstof på.
- Før du fylder brændstof på, skal du åbne brændstofftankens dæksel langsomt og forsigtigt udløse trykket.
- Fyld ikke brændstof på motoren i et indendørs område. Utilstrækkelig med luftstrøm kan forårsage personskader eller dødsfald på grund af kvælning eller kulilte.
- Spænd brændstofftankens dæksel helt. Hvis brændstofftankens dæksel ikke spændes, opstår der risiko for brand.
- Flyt produktet minimum 3 m / 10 ft fra det sted, hvor du fyldte tanken, før du starter det.
- Fyld aldrig brændstofftanken helt op. Varme får brændstoffet til at udvide sig. Sørg for at bevare ledig plads øverst i brændstofftanken.

Sikkerhedsinstruktioner for vedligeholdelse



ADVARSEL: Læs følgende advarselsinstruktioner, inden du bruger produktet.

- Udstødningsgasserne fra motoren indeholder kulilte, som er en luftfri, giftig og meget farlig gasart.

Undlad at starte motoren indendørs eller i lukkede rum.

- Før der udføres vedligeholdelse af produktet, standses motoren, og tændkablet tages af tændrøret.
- Brug handsker, når du udfører vedligeholdelse på skæreudstyret. Klingen er meget skarp, og du kan nemt komme til at skære dig.
- Tilbehør til og ændringer på produktet, som ikke er godkendt af producenten, kan medføre alvorlig personskade eller dødsfald. Undlad at ændre produktet. Brug altid reservedele, der er godkendt af producenten.

- Hvis vedligeholdelsen ikke udføres korrekt og regelmæssigt, øges risikoen for personskade og beskadigelse af produktet.
- Foretag kun den form for vedligeholdelse, der er angivet i denne instruktionsbog. Eventuel anden service skal udføres af et godkendt Husqvarna serviceværksted.
- Lad et godkendt Husqvarna serviceværksted foretage regelmæssig service af produktet.
- Udskift beskadigede, slidte eller defekte dele.

Montering

Indledning



ADVARSEL: Inden brug af produktet skal du læse og forstå kapitlet om sikkerhed.



ADVARSEL: Fjern tændrørskablet fra tændrøret inden samling af produktet.

Sådan monteres og justeres håndtaget

1. Fjern håndtagsmøtrikken og skiven fra pladen på det øverste håndtag.
2. Sæt det øvre håndtag på plads oven på det nederste håndtag.
3. Fastgør skiven og håndtagsmøtrikken. (Fig. 18)
4. Drej håndtaget til side for at få en god betjeningsposition, når du bruger produktet i nærheden af en væg. (Fig. 19)
5. Drej reguleringshjulene på chassiset for at justere håndtaget lodret. (Fig. 20)

Sådan samles bioklipproppen (KLIPPO LB 448S, KLIPPO LB 448SQ, KLIPPO LB 548SQe)

1. Vip produktet bagud med tændhætten opad.
2. Sæt stifterne på bioklipproppen i hullerne fra den indvendige side af klippeskjoldet. (Fig. 21)
3. Fastgør skruerne til bioklipproppen fra den udvendige side af klippeskjoldet. (Fig. 22)



BEMÆRK: Sørg for, at kablerne ikke kommer i klemme eller bliver beskadiget.

Drift

Indledning



ADVARSEL: Før du bruger produktet, skal du læse og forstå kapitlet om sikkerhed.

Husqvarna Connect

Husqvarna Connect er en gratis app til din mobile enhed. Appen Husqvarna Connect giver udvidede funktioner til dit Husqvarna produkt:

- Yderligere produktoplysninger.
- Oplysninger om, og hjælp til, dele og service.

Sådan kommer du i gang med at bruge Husqvarna Connect

1. Download Husqvarna Connect appen på din mobile enhed.
2. Tilmeld dig i Husqvarna Connect appen.
3. Følg instruktionerne i Husqvarna Connect appen for at tilslutte og registrere produktet.

Før du bruger produktet

1. Læs brugsanvisningen omhyggeligt igennem, og sørg for at have forstået instruktionerne.
2. Undersøg skæreudstyret for at sikre, at det er korrekt monteret og justeret. Se *Sådan efterses skæreudstyret på side 57*.
3. Fyld brændstoftanken. Se *Sådan påfyldes brændstof på side 55*.

4. Fyld olietanken, og efterse oliestanden. Se *Sådan kontrolleres oliestanden på side 57*.

Sådan påfyldes brændstof

Brug om muligt miljø-/alkylatbenzin. Hvis du ikke har mulighed for at bruge miljø-/alkylatbenzin, anvendes en blyfri benzin af god kvalitet eller blyholdig benzin med et oktantal ikke under 90.



BEMÆRK: Brug ikke benzin med et oktantal mindre end 90 RON (87 AKI). Det kan forårsage skader på produktet.

1. Åbn brændstoftankens dæksel langsomt for at aflaste trykket.
2. Påfyld brændstof langsomt med en benzindunk. Hvis du spilder brændstof, fjernes det med en klud. Lad resterende brændstof fordampe. (Fig. 23)
3. Rengør omkring brændstoftankens dæksel.
4. Spænd brændstoftankens dæksel helt. Hvis brændstoftankens dæksel ikke spændes, opstår der risiko for brand.
5. Flyt produktet minimum 3 m fra det sted, hvor du fyldte tanken, før du starter det.

Sådan indstilles klippehøjden

Klippehøjden kan justeres i 6 niveauer.

1. Flyt klippehøjdehåndtaget fremad for at øge klippehøjden.
2. Flyt klippehøjdehåndtaget bagud for at mindske klippehøjden.



BEMÆRK: Indstil ikke klippehøjden for lavt. Knivene kan ramme jorden, hvis græsplænenes overflade ikke er jævn.

Sådan startes produktet

1. Kontroller, at tændkablet er tilsluttet til tændrøret.
2. Åbn benzinventil. (Fig. 24)
3. Stil dig bag produktet.
4. Hold motorbremsehåndtaget ind mod styret. (Fig. 25)
5. Hold fast i startsnorens håndgreb med højre hånd.

6. Træk langsomt startsnoren ud, indtil der føles modstand.

7. Træk kraftigt, indtil motoren starter.



ADVARSEL: Vikl aldrig startsnoren rundt om hånden.



BEMÆRK: Stræk ikke startsnoren helt ud. Slip ikke startsnorens håndtag, når startsnoren trækkes ud.

Sådan bruges hjulenes fremtræk ()

- Skub styrehåndtaget ned. (Fig. 26)
- Før produktet trækkes baglæns, frakobles fremtrækket, og produktet skubbes fremad, cirka 10cm.
- Slip motorbremsehåndtaget en smule for at frakoble drevet, f.eks. når du nærmer dig en forhindring.

Sådan standses produktet

- Slip motorbremsehåndtaget en smule for kun at stoppe drevet.
- Slip motorbremsehåndtaget for at standse motoren helt.
- Luk benzinventilen. (Fig. 27)

Sådan opnår du et godt resultat

- Sørg altid for, at klingene er skarpe. En sløv klinge giver et uregelmæssigt resultat, og græssets snitflade bliver gul. En skarp klinge bruger desuden mindre energi end en sløv klinge.
- Klip aldrig mere end 1/3 af græssets længde. Klip først med klippehøjden indstillet højt. Efterse resultatet, og sænk derefter klippehøjden til det ønskede niveau. Hvis græsset er meget højt, skal du køre langsomt og om nødvendigt klippe 2 gange.
- Klip i forskellige retninger hver gang for at undgå striber i græsplænen.
- Hold klippeafskærmningen ren. Ophobning af græs og snavs på indersiden af klippeafskærmningen kan forringe klipperesultatet. Se *Sådan rengøres produktet udvendigt på side 56*.

Vedligeholdelse

Indledning



ADVARSEL: Inden der foretages vedligeholdelse, skal du læse og forstå kapitlet om sikkerhed.

Alt service- og reparationsarbejde på produktet kræver specialuddannelse. Vi garanterer faglig korrekt

reparation og service. Hvis forhandleren ikke er et serviceværksted, kan vedkommende oplyse om nærmeste serviceværksted.

Se www.husqvarna.com for at få mere detaljerede oplysninger.

Vedligeholdelsesskema

Vedligeholdelsesintervallerne er fastlagt baseret på daglig brug af produktet. Intervallerne ændres, hvis produktet ikke bruges dagligt.

For vedligeholdelse identificeret med * henvises til vejledningen i *Sikkerhedsanordninger på produktet på side 52*.

Vedligeholdelse	Hver dag	Ugentligt	Månedligt
Foretag et generelt eftersyn	X		
Efterse oliestanden	X		
Rengør produktet	X		
Rengør luftfilteret	X		
Efterse klippeudstyret	X		
Efterse klippebordet*	X		
Efterse motorbremsehåndtaget*	X		
Efterse lyddæmperen*		X	
Efterse tændrøret		X	
Efterse drivremmen for skader			X
Rengør gearhuset			X
For KLIPPO LB 448S, KLIPPO LB 453S. Skift olie (første gang efter 5 timers brug, derefter efter hver 25 timers brug og årligt)			X
For KLIPPO LB 448SQ, KLIPPO LB 453SQ, KLIPPO LB 548SQe. Skift olie (første gang efter 5 timers brug, derefter efter hver 100 timers brug og årligt)			X
Udskift luftfilteret			X
Efterse brændstofsystemet			X
Efterse og juster drevet (koblingskablet)			X

Sådan udføres et generelt eftersyn

- Sørg for, at alle møtrikker og skruer på produktet er spændt korrekt.

Sådan rengøres produktet udvendigt

- Brug en børste til at fjerne blade, græs og snavs.
- Sørg for, at luftindtaget oven på motoren ikke er blokeret.
- Brug ikke en højtryksrenser til at rengøre produktet.
- Hvis du bruger vand til at rengøre produktet, må vandet ikke sprøjtes direkte på motoren.

Sådan rengøres indersiden af klippekjoldet

1. Placer produktet på siden med lyddæmperen nedad.



BEMÆRK: Hvis produktet anbringes med luftfilteret nedad, kan motoren tage skade.

2. Spul indersiden af klippekjoldet med vand.

Sådan undersøges drivremmen og rengøres gearhuset

1. Fjern de 4 skruer på remafskærmningen, og afmonter remafskærmningen. (Fig. 28)
2. Kontrollér drivremmen og remskiven for skader.
3. Brug en børste til at fjerne blade, græs og snavs fra gearhuset. (Fig. 29)

Sådan udskiftes og justeres drivremmen

1. Fjern de 4 skruer på remafskærmningen, og afmonter remafskærmningen. (Fig. 28)

2. Sæt en flad skruetrækker mellem navkapslen og hjulet på produktets højre forhjul.
3. Drej skruetrækkeren forsigtigt, og tag navkapslen af.
4. Skru hjulbolten ud, og afmonter hjulet. (Fig. 30)
5. Tag drivremmen af remskiverne.
6. Kontrollér, at remskiverne nemt kan bevæge sig på akslen.
7. Hvis det er nødvendigt, skal du spraye rustløsende olie mellem og bag remskiverne samt smøre akslen.
8. Påmonter en ny drivrem, og fastgør den korrekt til kuglelejet, før du justerer drivremmen. (Fig. 31)
9. Flyt kuglelejet op eller ned for at justere drivremmen. (Fig. 32)

Bemærk: En ny drivrem bliver længere efter brug. Juster drivremmen igen efter nogle timers drift.

10. Fastgør remafskærmningen.
11. Betjen produktet for at sikre, at drivremmen er korrekt monteret og justeret.

Sådan udskiftes og justeres midterremmen

1. Afmonter klingen.

Bemærk: Dette trin er ikke nødvendigt, hvis du kun justerer midterremmen.

2. Løsn justeringsskruerne nogle omgange, men tag dem ikke af. (Fig. 33)
3. Udskift midterremmen, og stram justeringsskruerne let.

Bemærk: Dette trin er ikke nødvendigt, hvis du kun justerer midterremmen.

4. Flyt gearet frem eller tilbage for at justere midterremmen. (Fig. 34)
5. Brug en krogvægt til at undersøge spændingen i midterremmen. Remmen har den korrekte spænding, når den kan bevæges 6-10 mm i midten. Det svarer til et træk på 3 kg. (Fig. 35)
6. Spænd justeringsskruerne med et tilspændingsmoment på 3 Nm.
7. Betjen produktet for at sikre, at drivremmen er korrekt monteret og justeret.

Sådan efterses skæreudstyret



ADVARSEL: Tændkablet tages af tændrøret for at undgå utilsigtet start af motoren.



ADVARSEL: Brug handsker, når du udfører vedligeholdelse på skæreudstyret.

Klingen er meget skarp, og du kan nemt komme til at skære dig.

1. Efterses skæreudstyret for skader eller revner. Udskift altid skæreudstyret, hvis det er beskadiget.
2. Kig på klingens for at se, om den er beskadiget eller sløv.

Bemærk: Kniven skal afbalanceres, efter den er blevet slebet. Lad et servicecenter skærpe, udskift og afbalancere klingens. Hvis du rammer en forhindring, der får produktet til at standse, udskiftes den beskadigede klinge. Lad servicecenteret vurdere, om klingens kan files, eller om den skal udskiftes.

Sådan udskiftes klingens

1. Lås klingens med en trækloids. (Fig. 36)
2. Fjern klingebolten, fjederskiven og klingens. (Fig. 37)
3. Undersøg klingeophængens og klingebolten for skader.
 - a) Hvis du udskifter klingens eller klingeophængens, skal du også udskifte klingebolten, fjederskiven og friktionsskiven.
4. Efterses motorakslens for at sikre, at den ikke er bøjet.
5. Når du sætter den nye klinge på, skal du sørge for, at de bøjede ender peger i retning af klippeskjoldet. (Fig. 38)
6. Sæt friktionsskiven og klingens mod klingeophængens. (Fig. 39)
7. Sørg for, at klingens flugter med motorakslens centrum. (Fig. 40)
8. Lås klingens med en trækloids. (Fig. 41)
9. Monter fjederskiven, og spænd bolten med et tilspændingsmoment på 80 Nm. (Fig. 42)
10. Træk kniven rundt pr. håndkraft, og kontrollér, at den drejer frit.



ADVARSEL: Bær altid beskyttelseshandsker. Klingens er meget skarp, og du kan nemt komme til at skære dig.

11. Start produktet for at afprøve klingens. Hvis skiven ikke er korrekt fastgjort, forekommer der vibrationer i produkt, eller klipperesultatet bliver utilfredsstillende.

Sådan kontrolleres oliestanden



BEMÆRK: Hvis olieniveauet er for lavt, kan det medføre motorskader. Kontrollér oliestanden, før du starter produktet.

1. Anbring produktet på et plant underlag.
2. Afmonter olietankens dæksel, hvorpå oliepengens sidder.

3. Tør olien af oliepinden.
4. Sæt oliepinden helt ind i olietanken. Spænd olietankens dæksel for at sikre, at du får et korrekt billede af oliestanden.
5. Fjern oliepinden.
6. Kontrollér oliestanden på målepinden.
7. Hvis oliestanden er lav, skal der efterfyldes med motorolie, og foretag derefter en kontrol af oliestanden igen.

(Fig. 43)

Bemærk: Brug en tragt for at undgå at spilde.

Sådan udskiftes motorolien



ADVARSEL: Motorolien er meget varm umiddelbart efter, at motoren er standset. Lad motoren køle af, før du aftapper motorolien. Hvis du spilder motorolie på huden, kan den fjernes med vand og sæbe.

(Fig. 44)

1. Tag tændkablet af tændrøret.
2. Tag olietankens dæksel af.
3. Aftap motorolien.
 - a) For modeller med en olieaftappingsprop: Stil en beholder under olieaftappingsproppen til at opsamle motorolien i.
 - b) På modeller uden en olieaftappingsprop, eller hvis det ikke er muligt at sætte en beholder under olieaftappingsproppen: Brug en oliepumpe (tilbehør) til at aftappe motorolien fra olietanken.
4. Påfyld ny motorolie af den type, der anbefales i *Tekniske data på side 59*.
5. Udfør en kontrol af oliestanden. Se *Sådan kontrolleres oliestanden på side 57*.

Luffilter

Bemærk: Et luffilter, der har været brugt i lang tid, kan ikke blive helt rent. Udskift luffilteret med regelmæssige mellemrum. Udskift altid et beskadiget luffilter.

Sådan af- og påmonteres luffilteret (KLIPPO LB 448SQ, KLIPPO LB 453SQ, KLIPPO LB 548Qe)



ADVARSEL: Bær altid beskyttelsehandsker.

1. Tryk på klemmerne på luffilterdækslet.

2. Tag forsigtigt luffilterdækslet (A) ud af motoren.
3. Fjern luffilteret (B) og skumfilteret (C). (Fig. 45)
4. Undersøg luffiltret for skader. Udskift et beskadiget luffilter.
5. Rengør og efterse luffilteret. Se *Sådan rengøres luffilteret (KLIPPO LB 448SQ, KLIPPO LB 453SQ, KLIPPO LB 548Qe) på side 58*.
6. Installer i modsat rækkefølge.

Sådan rengøres luffilteret (KLIPPO LB 448SQ, KLIPPO LB 453SQ, KLIPPO LB 548Qe)



BEMÆRK: Lad ikke motoren køre uden et monteret luffilter eller med et beskadit luffilter.



BEMÆRK: Udskift luffilteret, hvis det ikke bliver rent, eller hvis det er beskadiget. Et beskadiget luffilter forårsager beskadigelse af motoren.

1. Tryk på låsetappene (A), fjern filterdækslet (B), og afmonter luffilteret (C). (Fig. 46)
2. Slå luffiltret mod en hård overflade, eller blæs trykluft gennem luffilteret fra den rene side af luffilteret.



BEMÆRK: Brug ikke en børste til at fjerne snavs, da der derved skubbes snavs ind i luffilteret.

3. Rens luffilterholderen (D) og filterdækslet med en fugtig klud.



BEMÆRK: Sørg for, at der ikke kommer snavs ind i luftkanalen (E).

4. Sæt luffilteret i. Sørg for, at luffilteret ligger helt tæt ind til luffilterholderen.
5. Sæt luffilterdækslet på igen med de nederste tappe først.

Sådan rengøres luffilteret (KLIPPO LB 448S, KLIPPO LB 453S)



BEMÆRK: Lad ikke motoren køre uden et monteret luffilter eller med et beskadit luffilter.



BEMÆRK: Udskift luffilteret, hvis det ikke bliver rent, eller hvis det er beskadiget. Et beskadiget luffilter forårsager beskadigelse af motoren.

1. Tryk på låsetappene (A), fjern filterdækslet (B), og afmonter luftfilteret (C). (Fig. 47)
2. Slå luftfilteret mod en hård overflade, eller blæs trykluft gennem luftfilteret fra den rene side af luftfilteret.



BEMÆRK: Brug ikke en børste til at fjerne snavs, da der derved skubbes snavs ind i luftfilteret.

3. Rens luftfilterholderen (D) og filterdækslet med en fugtig klud.



BEMÆRK: Sørg for, at der ikke kommer snavs ind i luftkanalen (E).

4. Sæt luftfilteret i. Sørg for, at luftfilteret ligger helt tæt ind til luftfilterholderen.
5. Sæt luftfilterdækslet på igen med de nederste tappe først.

Sådan undersøger du tændrøret



BEMÆRK: Brug altid anbefalet tændrørstype. Forkert tændrørstype kan forårsage skader på produktet.

- Undersøg tændrøret, hvis motoren mangler kraft, ikke starter nemt eller ikke fungerer korrekt i tomgangshastighed.

- Sådan mindsker du risikoen for uønsket materiale på tændrørets elektroder, følg disse instruktioner:
 - a) Sørg for, at omdrejningstallet i tomgang er indstillet korrekt.
 - b) Sørg for, at brændstofblandingen er korrekt.
 - c) Sørg for, at luftfilteret er rent.
- Hvis tændrøret er beskidt, skal det renses, og samtidig skal det kontrolleres, at elektrodeafstanden er korrekt, se *Tekniske data på side 59*. (Fig. 48)
- Udskift tændrøret, når det er nødvendigt.

Sådan undersøger du brændstofsystemet

- Efterse brændstoftankens dæksel og pakningen til brændstoftankens dæksel for at sikre, at der ikke er nogen skader.
- Efterse brændstofslangen for at sikre, at der ikke er utætheder. Hvis brændstofslangen er beskadiget, skal du lade et serviceværksted skifte den.

Sådan justeres koblingskablet

Hvis drevet føles trægt, skal koblingskablet justeres.

- Skru justerskruen. (Fig. 49)

Koblingskablet er justeret korrekt, når koblingskablets beslag flugter med møtrikken.

(Fig. 50)

Transport, opbevaring og bortskaffelse

Transport og opbevaring

- Ved opbevaring og transport af produktet og brændstoffet, skal du sørge for, at der ikke er utætheder eller dampe. Gnister eller åben ild, f.eks. fra elektriske enheder eller kedler, kan starte en brand.
- Brug altid godkendte beholdere til opbevaring og transport af brændstof.
- Tøm brændstoftanken, inden du stiller produktet væk i en længere periode. Bortskaf brændstoffet på en lokal miljøstation.
- Fastgør produktet sikkert under transport for at undgå skader og uheld.

- Opbevar produktet i et aflåst område utilgængeligt for børn eller personer, som ikke er godkendt.
- Opbevar produktet på et tørt og frostfrit sted.

Bortskaffelse

- Overhold de lokale krav til genanvendelse og de gældende regler.
- Bortskaf alle kemikalier, som f.eks. motorolie eller brændstof, hos et servicecenter eller på en lokal miljøstation.
- Når produktet ikke længere er i brug, skal det sendes til en Husqvarna forhandler eller bortskaffes på en lokal genbrugsstation.

Tekniske data

Tekniske data

	KLIPPO LB 448S	KLIPPO LB 448SQ	KLIPPO LB 453S	KLIPPO LB 453SQ	KLIPPO LB 548SQe
Motor					

	KLIPPO LB 448S	KLIPPO LB 448SQ	KLIPPO LB 453S	KLIPPO LB 453SQ	KLIPPO LB 548SQe
Varemærke	Honda	Husqvarna	Honda	Husqvarna	Husqvarna
Model	GCVX-145	HS 166AP	GCVx-170	HS 166AP	HS 166AP
Motorstype	1-cylindret, 4-takts fremmedkøling, OHV	1-cylindret, 4-takts fremmedkøling, OHV	1-cylindret, 4-takts fremmedkøling, OHV	1-cylindret, 4-takts fremmedkøling, OHV	1-cylindret, 4-takts fremmedkøling, OHV
Slagvolumen, cm ³	145	166	166	166	166
Hastighed, o/min.	2900	2900	2900	2900	2900
Nominal motoreffekt, kW ¹⁶	2,7	2,75	3,3	2,75	2,75
Tændingssystem					
Tændrør	NGK BPR5ES	Husqvarna HQT-7	NGK BPR5ES	Husqvarna HQT-7	Husqvarna HQT-7
Elektrodeafstand, mm	0,7-0,8	0,7-0,8	0,7-0,8	0,7-0,8	0,7-0,8
Brændstof-/smøresystem					
Motorsmøringsstype	Splash	Splash	Splash	Splash	Splash
Brændstoftankens kapacitet, l	0,9	1,5	0,9	1,5	1,5
Olietankens kapacitet, l	0,5	0,5	0,55	0,5	0,5
Motorolie ¹⁷	Husqvarna SAE 30	Husqvarna SAE 30	Husqvarna SAE 30/SAE 10W-30	Husqvarna SAE 30/SAE 10W-30	Husqvarna SAE 30/SAE 10W-30
Vægt					
Med tomme tanke, kg	30,5	32,5	33	33,5	34,5
Støjmissioner ¹⁸					
Lydeffektniveau, målt dB(A)	90	93	91	94	92
Lydeffektniveau, garanteret L _{WA} dB (A)	91	93	94	95	93
Lydniveauer ¹⁹					
Lydtryksniveau ved brugerens øre, dB(A)	77	79	78	81	79
Vibrationsniveauer, a_{hveq} ²⁰					

¹⁶ Motorens effektangivelse er den gennemsnitlige nettoeffekt (ved det anførte omdrejningstal) for en typisk produktionsmodel af motoren målt iht. SAE-standarden J1349/ISO1585. Motorer fra masseproduktionen kan afvige fra denne værdi. Den faktiske effekt på motoren, som installeres i det færdige produkt, vil afhænge af driftshastigheden, miljøhensyn og andre værdier.

¹⁷ Hvis SAE-30-olien anvendes ved temperatur under +5 °C, er der risiko for, at den ikke smører motoren tilstrækkeligt. Dette kan forårsage skader på motoren. Se *Sådan udskiftes motorolien på side 58* for den korrekte olie til lave temperaturer.

¹⁸ Støjmissioner til omgivelserne målt som lydeffekt (L_{WA}) i henhold til EF-direktiv 2000/14/EF.

¹⁹ Lydtryksniveau iht. ISO 5395. Rapporterede data for lydtryksniveau har en typisk statistisk spredning (standardafvigelse) på 1,2 dB (A).

²⁰ Vibrationsniveau iht. ISO 5395. Rapporterede data for vibrationsniveau har en typisk statistisk spredning (standardafvigelse) på 0,2 m/s².

	KLIPPO LB 448S	KLIPPO LB 448SQ	KLIPPO LB 453S	KLIPPO LB 453SQ	KLIPPO LB 548SQe
Styr, m/s ²	4,5	4,2	5,3	6,4	4,0
Klippeudstyr					
Klippehøjde, mm	30-60	30-60	30-60	30-60	30-60
Klippebredde, mm	480	480	530	530	480
Kniv	Bioklip - 48 cm	Bioklip - 48 cm	Bioklip - 53 cm	Bioklip - 53 cm	Bioklip - 48 cm
	5028813-10	5028813-10	5028814-10	5028814-10	5028813-10
Drev					
Hastighed, km/t	4,5	4,5	4,5	4,5	4,5

Overensstemmelseserklæring

EU-overensstemmelseserklæring

Vi, **Husqvarna AB**, SE-561 82 Huskvarna, Sverige,
tlf.: +46-36-146500 erklærer under eneansvar, at det
pågældende produkt:

Beskrivelse	Plæneklipper
Varemærke	Husqvarna
Type / model	KLIPPO LB 448S, KLIPPO LB 453S, KLIPPO LB 448SQ, KLIPPO LB 453SQ, KLIPPO LB 548SQe
Identifikation	Serienumrene fra 2022 og fremefter

overholder følgende EU-direktiver og bestemmelser:

Direktiv/bestemmelser	Beskrivelse
2006/42/EF	"vedrørende maskiner"
2014/30/EU	"vedrørende elektromagnetisk kompatibilitet"
2000/14/EF	"vedrørende støjmissioner til omgivelserne"
2011/65/EU	"om begrænsning af anvendelsen af visse farlige stoffer i elektrisk og elektronisk udstyr"

og at følgende standarder og/eller tekniske
specifikationer anvendes: EN ISO 5395-1:2013/
A1:2018, EN ISO 5395-2:2013/A1:2016/A2:2017, EN
ISO 14982:2009, EN IEC 63000:2018.

Udpeget organ: 0404, RISE SMP Svensk
Maskinprovning AB, Box 4053, SE-904 03
Umeå, Sweden. har bekræftet, at bestemmelserne
i Rådets direktiv 2000/14/EF, procedure for
overensstemmelsesvurdering: Bilag VI.

Vedr. oplysninger om støjmission, se *Tekniske data på
side 59.*

Huskvarna, 2023-02-07



Claes Losdal, udviklingschef/haveprodukter, Husqvarna
AB

Ansvarlig for teknisk dokumentation



Inhalt

Einleitung.....	63	Wartung.....	69
Sicherheit.....	64	Transport, Lagerung und Entsorgung.....	74
Montage.....	68	Technische Angaben.....	74
Betrieb.....	68	Konformitätserklärung.....	76

Einleitung

Gerätebeschreibung

Das Gerät ist ein handgeführter Rasenmäher, der BioClip® nutzt, um das Gras in Dünger zu schneiden.

Geräteübersicht

(Abb. 1)

1. Griff/Lenker
2. Motorbremsgriff
3. Antriebshebel
4. Startseilgriff
5. Öldeckel
6. Riemenschutz
7. Schalldämpfer
8. Zündkerze
9. Riemenschutz
10. Kraftstofftank
11. Hebel für Winkelleinstellung des Griffs
12. Antivibrationssystem
13. Kupplungsseileinstellung
14. Schnitthöhenhebel
15. Kraftstoffventil
16. Luftfilter
17. Schneidwerkabdeckung
18. Federring
19. Klingenschraube
20. Klinge
21. Klingenauflage
22. Mulcheinsatz KLIPPO LB 448S, KLIPPO LB 448SQ, KLIPPO LB 548SQe
23. Bedienungsanleitung

Symbole auf dem Gerät

(Abb. 2) **WARNUNG:** Bei unvorsichtiger oder nicht ordnungsgemäßer Bedienung kann es zu Verletzungen oder zum Tode des Bedieners oder anderer Personen kommen.

(Abb. 3) Lesen Sie die Bedienungsanleitung sorgfältig durch, und machen Sie sich vor der Benutzung mit dem Inhalt vertraut.

Verwendungszweck

Verwenden Sie das Gerät zum Schneiden von Gras.
Verwenden Sie das Gerät nicht für andere Aufgaben.

(Abb. 4) Achten Sie auf hochgeschleuderte und abprallende Objekte.

(Abb. 5) Andere Personen oder Tiere müssen sich in sicherem Abstand vom Arbeitsbereich befinden.

(Abb. 6) Schalten Sie vor der Durchführung von Reparatur- oder Wartungsarbeiten den Motor aus, und entfernen Sie das Zündkabel.

(Abb. 7) **Warnung:** Halten Sie Hände und Füße von rotierenden Teilen fern.

(Abb. 8) **Warnung:** Halten Sie Hände und Füße von der rotierenden Klinge fern.

(Abb. 9) Dieses Gerät stimmt mit den geltenden EG-Richtlinien überein.

(Abb. 10) Dieses Gerät entspricht den geltenden UK-Richtlinien.

(Abb. 11) Dieses Gerät stimmt mit den geltenden Richtlinien der eurasischen Zollunion überein. Nur gültig für KLIPPO LB 448S & KLIPPO LB 453S.

(Abb. 12) Etikett mit Geräuschemissionen gemäß EU- und UK-Richtlinien und Verordnungen sowie der australischen „Protection of the Environment Operations (Noise Control) Regulation 2017“ (Umweltschutz-/Lärmschutzbestimmung) von New South Wales. Der garantierte Schalleistungspegel des Geräts ist unter *Technische Angaben auf Seite 74* und auf dem Etikett angegeben.

(Abb. 13) Scanbarer Code.

Hinweis: Andere Symbole/Aufkleber auf dem Gerät beziehen sich auf marktspezifische rechtliche Anforderungen.

Aufkleber auf dem Gerät, nur für Australien und Neuseeland

(Abb. 14)

Halten Sie Hände und Füße von der rotierenden Rasenmäherklinge fern.

Emissionen nach Euro V



WARNUNG: Bei jeglichen Manipulationen des Motors erlischt die EU-Typgenehmigung für dieses Produkt.

Produkthaftung

Im Sinne der Produkthaftungsgesetze übernehmen wir keine Haftung für Schäden, die unser Gerät verursacht, wenn...

- das Gerät nicht ordnungsgemäß repariert wird.
- das Gerät mit Teilen repariert wird, die nicht vom Hersteller stammen oder nicht vom Hersteller zugelassen sind.
- ein Zubehörteil mit dem Gerät verwendet wird, das nicht vom Hersteller stammt oder nicht vom Hersteller zugelassen ist.
- das Gerät nicht bei einem zugelassenen Service Center oder von einem zugelassenen Fachmann repariert wird.

Sicherheit

Sicherheitsdefinitionen

Warnungen, Vorsichtsmaßnahmen und Hinweise werden verwendet, um auf besonders wichtige Teile der Bedienungsanleitung hinzuweisen.



WARNUNG: Wird verwendet, wenn bei Nichtbeachtung der Anweisungen in diesem Handbuch die Gefahr von Verletzung oder Tod des Bedieners oder anderer Personen besteht.



ACHTUNG: Wird verwendet, wenn bei Nichtbeachtung der Anweisungen in diesem Handbuch die Gefahr von Schäden am Gerät, an anderen Materialien oder in der Umgebung besteht.

Hinweis: Für weitere Informationen, die in bestimmten Situationen nötig sind.

Allgemeine Sicherheitshinweise



WARNUNG: Lesen Sie die folgenden Warnhinweise, bevor Sie das Gerät verwenden.

- Dieses Gerät ist gefährlich, wenn es falsch bedient wird oder Sie unvorsichtig sind. Wenn die Sicherheitshinweise nicht befolgt werden, kann dies zu Verletzungen oder zum Tod führen.
- Dieses Gerät erzeugt beim Betrieb ein elektromagnetisches Feld. Dieses Feld kann sich unter bestimmten Bedingungen auf die Funktionsweise aktiver oder passiver medizinischer Implantate auswirken. Um die Gefahr von Situationen, die zu schweren oder tödlichen

Verletzungen führen können, auszuschließen, sollten Personen mit einem medizinischen Implantat vor der Nutzung dieses Geräts ihren Arzt und den Hersteller des Implantats konsultieren.

- Lassen Sie immer Vorsicht walten, und arbeiten Sie mit gesundem Menschenverstand. Wenn Sie sich nicht sicher sind, wie das Gerät in einer bestimmten Situation zu bedienen ist, unterbrechen Sie die Arbeit und wenden sich an Ihren Husqvarna-Händler, bevor Sie fortfahren.
- Denken Sie daran, dass der Bediener für Unfälle mit anderen Personen oder deren Eigentum verantwortlich ist.
- Halten Sie das Gerät sauber. Stellen Sie sicher, dass Symbole und Aufkleber deutlich lesbar sind.
- Lassen Sie keine andere Person das Gerät verwenden, es sei denn, Sie haben sich zuvor vergewissert, dass diese Person den Inhalt der Bedienungsanleitung gelesen und verstanden hat.
- Lassen Sie nicht zu, dass Kinder das Gerät verwenden.
- Halten Sie Kinder vom Arbeitsbereich fern. Es muss immer ein verantwortlicher Erwachsener anwesend sein.
- Erlauben Sie nicht, dass Personen ohne Kenntnis der Anweisungen das Gerät bedienen.
- Stellen Sie sicher, dass Personen mit verminderter physischer oder psychischer Leistungsfähigkeit dieses Gerät nicht unbeaufsichtigt verwenden. Es muss immer ein verantwortlicher Erwachsener anwesend sein.
- Verwenden Sie das Gerät nicht, wenn Sie müde oder krank sind oder unter Einfluss von Alkohol, Drogen oder Medikamenten stehen. Dies wirkt sich negativ auf Ihre Sehkraft, Ihre Aufmerksamkeit sowie Ihr Koordinations- und Urteilsvermögen aus.
- Verwenden Sie das Gerät nicht, wenn es beschädigt ist oder nicht ordnungsgemäß funktioniert.

- Verändern oder verwenden Sie dieses Gerät nicht, wenn die Möglichkeit besteht, dass es durch Dritte verändert wurde.
- Nehmen Sie keine Änderungen an der Einstellung der Motordrehzahlregelung vor.

Sicherheit im Arbeitsbereich



WARNUNG: Lesen Sie die folgenden Warnhinweise, bevor Sie das Gerät benutzen.

- Entfernen Sie Gegenstände wie Äste, Zweige und Steine aus dem Arbeitsbereich, bevor Sie das Produkt verwenden.
- Gegenstände, die auf die Schneid-ausrüstung treffen, können herausgeschleudert werden und Personen und Gegenständen Schaden zufügen. Halten Sie andere Personen und Tiere in einem sicheren Abstand zum Produkt.
- Benutzen Sie das Produkt niemals bei schlechtem Wetter wie Nebel, Regen, starkem Wind, intensiver Kälte und bei der Gefahr eines Blitzeinschlags. Die Verwendung des Produkts bei schlechtem Wetter oder an feuchten oder nassen Stellen ist anstrengend. Schlechtes Wetter kann gefährliche Zustände wie rutschige Oberflächen verursachen.
- Achten Sie auf Personen, Gegenstände und Situationen, die einen sicheren Betrieb des Produkts verhindern könnten.
- Achten Sie auf Hindernisse wie Wurzeln, Steine, Zweige, Löcher und Gräben. Langes Gras kann Hindernisse verdecken.
- Das Mähen von Gras an Steigungen kann gefährlich sein. Verwenden Sie das Produkt nicht in einem Gelände mit einer Neigung von mehr als 15°.
- Betreiben Sie das Produkt quer zum Hang. Bewegen Sie sich nicht nach oben und nach unten.
- Seien Sie vorsichtig, wenn Sie um versteckte Ecken oder Objekte herum fahren, die Ihre freie Sicht verhindern.
- und können Funken enthalten, die einen Brand verursachen können.
- Starten Sie das Produkt nicht, bevor die Klinge und alle Abdeckungen korrekt befestigt sind. Eine falsch befestigte Klinge kann sich lösen und Personenschaden verursachen.
- Stellen Sie sicher, dass die Klinge nicht auf Gegenstände wie Steine und Wurzeln trifft. Dies kann die Klinge beschädigen und die Motorwelle verbiegen. Eine verbogene Achse führt zu starken Vibrationen und birgt ein hohes Risiko, dass die Klinge sich löst.
- Wenn die Klinge auf ein Objektiv trifft oder Vibrationen auftreten, müssen Sie das Produkt sofort abstellen. Ziehen Sie das Zündkabel von der Zündkerze ab. Untersuchen Sie das Produkt auf beschädigte Teile. Reparieren Sie Schäden oder lassen Sie einen autorisierten Kundendienst die Reparatur durchführen.
- Befestigen Sie die Motorbremse niemals fest am Griff, wenn der Motor läuft.
- Stellen Sie das Produkt auf eine stabile, flache Oberfläche und starten Sie es. Stellen Sie sicher, dass die Klinge nicht den Boden oder ein anderes Objekt berührt.
- Bleiben Sie immer hinter dem Produkt, wenn Sie es betreiben.
- Lassen Sie alle Räder auf dem Boden bleiben und halten Sie den Griff mit 2 Händen, wenn Sie das Produkt betreiben. Halten Sie Hände und Füße von den rotierenden Rasenmäherklingen fern.
- Kippen Sie das Produkt nicht, wenn der Motor läuft.
- Seien Sie vorsichtig, wenn Sie das Produkt nach hinten ziehen.
- Heben Sie das Produkt nicht hoch, wenn der Motor läuft. Wenn Sie das Produkt anheben müssen, schalten Sie zunächst den Motor aus und ziehen Sie das Zündkabel von der Zündkerze ab.
- Gehen Sie nicht rückwärts, wenn Sie das Produkt betreiben.
- Stellen Sie den Motor ab, wenn Sie sich über Bereiche ohne Gras bewegen, zum Beispiel Wege aus Kies, Stein und Asphalt.
- Rennen Sie nicht mit dem Produkt, wenn der Motor läuft. Gehen Sie immer, wenn Sie das Produkt benutzen.
- Stellen Sie den Motor ab, bevor Sie die Schnitthöhe verändern. Verändern Sie die Einstellungen niemals, wenn der Motor läuft.
- Lassen Sie das Produkt niemals aus den Augen, wenn der Motor läuft. Stellen Sie den Motor ab und stellen Sie sicher, dass sich die Schneid-ausrüstung nicht dreht.

Arbeitssicherheit



WARNUNG: Lesen Sie die folgenden Warnhinweise, bevor Sie das Gerät benutzen.

- Verwenden Sie dieses Produkt nur zum Mähen von Rasenflächen. Es ist nicht erlaubt, das Produkt für andere Aufgaben zu verwenden.
- Benutzen Sie eine persönliche Schutzausrüstung. Siehe *Persönliche Schutzausrüstung auf Seite 66*.
- Stellen Sie sicher, dass Sie wissen, wie der Motor in einem Notfall schnell gestoppt werden kann.
- Starten Sie den Motor niemals in einem geschlossenen Raum oder in der Nähe von brennbarem Material. Die Motorabgase sind heiß

Sicherheitshinweise für den Betrieb

Persönliche Schutzausrüstung



WARNUNG: Lesen Sie die folgenden Warnhinweise, bevor Sie das Gerät benutzen.

- Die persönliche Schutzausrüstung kann Verletzungen nicht vollständig vermeiden, vermindert aber den Umfang der Verletzungen und Schäden bei einem Unfall. Lassen Sie sich von Ihrem Händler bei der Auswahl der richtigen Ausrüstung unterstützen.
- Tragen Sie einen Gehörschutz, wenn der Geräuschpegel höher als 85 dB ist
- Tragen Sie rutschfeste Sicherheitstiefel oder -schuhe. Verwenden Sie keine offenen Schuhe, und gehen Sie nicht barfuß.
- Tragen Sie schwere, lange Hosen.
- Tragen Sie bei Bedarf Schutzhandschuhe, beispielsweise bei der Montage, der Untersuchung oder der Reinigung der Schneidausrüstung.

Sicherheitsvorrichtungen am Gerät



WARNUNG: Lesen Sie die folgenden Warnhinweise, bevor Sie das Gerät verwenden.

- Verwenden Sie kein Gerät mit Sicherheitsvorrichtungen, die beschädigt sind oder nicht ordnungsgemäß funktionieren.
- Führen Sie regelmäßig eine Überprüfung der Sicherheitsvorrichtungen durch. Wenn die Sicherheitsvorrichtungen beschädigt sind oder nicht ordnungsgemäß funktionieren, wenden Sie sich an den Kundendienst von Husqvarna.
- Führen Sie keine Änderungen an den Sicherheitsvorrichtungen durch.

So überprüfen Sie den Schneidschutz

Der Schneidschutz verringert Vibrationen im Gerät und das Verletzungsrisiko durch die Klinge.

- Untersuchen Sie die Schneidewerkabdeckung, um sicherzustellen, dass es keine Beschädigungen wie zum Beispiel Risse gibt.

So kontrollieren Sie den Riemenschutz

Der Riemenschutz verringert das Verletzungsrisiko und stellt sicher, dass ein beschädigter Treibriemen nicht ausgeworfen wird.

- Stellen Sie sicher, dass der Riemenschutz nicht beschädigt und korrekt befestigt ist. (Abb. 15)

Motorbremsgriff

Der Motorbremshebel stoppt den Motor. Wenn der Motorbremshebel losgelassen wird, stoppt der Motor.

Um eine Inspektion der Motorbremse durchzuführen, starten Sie den Motor und lassen dann den Motorbremshebel los. Wenn der Motor nicht innerhalb von 3 Sekunden stoppt, lassen Sie die Motorbremse von einer autorisierten Husqvarna Servicewerkstatt einstellen.

(Abb. 16)

So prüfen Sie das Antivibrationssystem



WARNUNG: Eine übermäßige Belastung durch Vibrationen kann bei Personen mit verminderter Durchblutung Kreislauf- oder Nervenschäden verursachen. Suchen Sie einen Arzt auf, wenn Sie an Ihrem Körper Symptome feststellen, die darauf hinweisen, dass Sie zu starken Vibrationen ausgesetzt waren. Zu diesen Symptomen zählen beispielsweise Einschlafen von Körperteilen, Gefühlsverlust, Kitzeln, Stechen, Schmerz, Verlust oder Beeinträchtigung der normalen Körperkraft, Veränderungen der Hautfarbe oder der Hautbeschaffenheit. Diese Beschwerden treten normalerweise in den Fingern, Händen und Handgelenken auf.

Das Antivibrationssystem verringert Vibrationen im Griff während des Betriebs.

Das Stahlrohr im Lenker und die Schneidwerkabdeckung reduzieren Vibrationen. Der KLIPPO LB 548S0e verfügt zudem über 4 Vibrationsdämpfer am Lenker.

- Überprüfen Sie den Lenker und die Vibrationsdämpfer, um sicherzustellen, dass keine Beschädigungen vorhanden sind. (Abb. 17)

Klingenauflage

Die Messerhalterung verringert das Risiko einer verbogenen Motorwelle. Wenn das Messer auf ein Objekt trifft, bewegt sich das Messer gegen die Messerhalterung. Die Bewegung verursacht Verschleiß auf der Oberfläche des Messers. Der Verschleiß zeigt, dass der Schutz der Motorwelle ordnungsgemäß funktioniert.

Schalldämpfer

Der Schalldämpfer senkt den Geräuschpegel so weit wie möglich und hält die Abgase des Motors vom Anwender fern.

Verwenden Sie das Gerät nicht, wenn der Schalldämpfer fehlt oder beschädigt ist. Ein beschädigter Schalldämpfer erhöht den Geräuschpegel und die Brandgefahr.



WARNUNG: Der Schalldämpfer wird während und nach Gebrauch und wenn der Motor im Leerlauf läuft, sehr heiß. Seien Sie in der Nähe von entzündlichen Materialien und/oder Dämpfen besonders vorsichtig, um Brandgefahr zu verhindern.

So prüfen Sie den Schalldämpfer

- Überprüfen Sie den Schalldämpfer regelmäßig, um sicherzustellen, dass er richtig angebracht und nicht beschädigt ist.

Sicherer Umgang mit Kraftstoff



WARNUNG: Lesen Sie die folgenden Warnhinweise, bevor Sie das Gerät benutzen.

- Starten Sie das Gerät nicht, wenn sich Kraftstoff oder Öl darauf befindet. Entfernen Sie den unerwünschten Kraftstoff bzw. das Öl und lassen Sie das Gerät trocknen.
- Wechseln Sie sofort die Kleidung, wenn Sie Kraftstoff darauf verschütten.
- Lassen Sie keinen Kraftstoff auf Ihren Körper gelangen, denn dies kann zu Verletzungen führen. Wenn Kraftstoff auf Ihre Haut gelangt, waschen Sie diesen mit Wasser und Seife ab.
- Starten Sie das Gerät nicht, wenn der Motor undicht ist. Überprüfen Sie den Motor regelmäßig auf Undichtigkeiten.
- Gehen Sie vorsichtig mit Kraftstoff um. Kraftstoff ist feuergefährlich, und die Dämpfe sind explosiv und können zu Verletzungen oder sogar zum Tod führen.
- Atmen Sie die Kraftstoffdämpfe nicht ein, denn sie sind gesundheitsschädigend. Achten Sie auf ausreichende Belüftung.
- Rauchen Sie nicht in der Nähe des Kraftstoffs oder des Motors.
- Stellen Sie keine heißen Gegenstände in der Nähe des Kraftstoffs oder Motors ab.
- Füllen Sie keinen Kraftstoff nach, während der Motor läuft.
- Vergewissern Sie sich, dass der Motor abgekühlt ist, bevor Sie Kraftstoff nachfüllen.
- Öffnen Sie vor dem Nachfüllen den Tankdeckel langsam und lassen Sie den Druck vorsichtig entweichen.
- Füllen Sie keinen Kraftstoff in den Motor, wenn Sie sich in einem Innenraum befinden. Eine

mangelhafte Luftzirkulation kann zu schweren oder tödlichen Verletzungen durch Ersticken oder eine Kohlenmonoxidvergiftung führen.

- Schrauben Sie den Kraftstofftankdeckel fest zu. Wenn der Tankverschluss nicht fest zugeschraubt ist, besteht Feuergefahr.
- Bewegen Sie das Produkt vor dem Starten mindestens 3 m von der Stelle fort, an der Sie den Tank befüllt hatten.
- Füllen Sie den Kraftstofftank nicht vollständig auf. Durch Hitze dehnt sich der Kraftstoff aus. Lassen Sie deshalb einen Freiraum im oberen Bereich des Kraftstofftanks.

Sicherheitshinweise für die Wartung



WARNUNG: Lesen Sie die folgenden Warnhinweise, bevor Sie das Gerät benutzen.

- Die Abgase des Motors enthalten Kohlenmonoxid, ein geruchloses, giftiges und sehr gefährliches Gas. Starten Sie den Motor nicht in Innenräumen oder in geschlossenen Räumen.
- Bevor Sie an dem Produkt eine Wartung durchführen, schalten Sie den Motor aus und ziehen Sie das Zündkabel von der Zündkerze ab.
- Tragen Sie Schutzhandschuhe, wenn Sie an der Schneidausrüstung eine Wartung durchführen. Die Klinge ist sehr scharf und man schneidet sich sehr leicht.
- Zubehörteile und Änderungen am Produkt, die vom Hersteller nicht genehmigt wurden, können zu schweren Verletzungen oder zum Tod führen. Verändern Sie das Produkt nicht. Verwenden Sie immer Teile, die vom Hersteller genehmigt wurden.
- Wenn die Wartung nicht ordnungsgemäß und regelmäßig erfolgt, erhöht sich die Verletzungsgefahr und das Risiko für eine Beschädigung des Produkts.
- Führen Sie die Wartung nur gemäß dieser Betriebsanleitung durch. Alle anderen Wartungsarbeiten müssen von einer autorisierten Husqvarna Servicewerkstatt durchgeführt werden.
- Lassen Sie eine autorisierte Husqvarna Servicewerkstatt das Produkt regelmäßig warten.
- Ersetzen Sie beschädigte, abgenutzte oder defekte Teile.

Montage

Einleitung



WARNUNG: Vor dem Betrieb des Gerätes müssen Sie die Sicherheitsinformationen lesen und verstehen.



WARNUNG: Ziehen Sie den Zündkerzenstecker von der Zündkerze ab, bevor Sie das Gerät zusammenbauen.

So montieren Sie den Griff und passen ihn an

1. Entfernen Sie die Griffmutter und die Scheibe von der Platte am oberen Griff.
2. Bringen Sie den oberen Griff an der Oberseite des unteren Griffs in Position.



ACHTUNG: Stellen Sie sicher, dass die Kabel nicht eingeklemmt oder beschädigt werden.

3. Befestigen Sie die Scheibe und die Griffmutter. (Abb. 18)
4. Drehen Sie den Griff für eine gute Betriebsposition zur Seite, wenn Sie das Gerät in der Nähe einer Wand betreiben. (Abb. 19)
5. Drehen Sie die Stellräder am Chassis, um den Griff vertikal einzustellen. (Abb. 20)

So montieren Sie den Mulcheinsatz (KLIPPO LB 448S, KLIPPO LB 448SQ, KLIPPO LB 548Sqe)

1. Kippen Sie das Gerät nach hinten mit der Zündkerze nach oben.
2. Stecken Sie die Stifte des Mulcheinsatzes von der Innenseite der Schneidwerkabdeckung in die Bohrungen. (Abb. 21)
3. Bringen Sie die Schrauben des Mulcheinsatzes von der Außenseite der Schneidwerkabdeckung an. (Abb. 22)

Betrieb

Einleitung



WARNUNG: Vor dem Betrieb des Gerätes müssen Sie die Sicherheitsinformationen lesen und verstehen.

Husqvarna Connect

Husqvarna Connect ist eine kostenlose App für Ihr Mobilgerät. Die Husqvarna Connect App bietet erweiterte Funktionen für Ihr Gerät:

- Erweiterte Produktinformationen
- Informationen über Produktteile und -wartung sowie entsprechende Hilfe dazu.

So verwenden Sie Husqvarna Connect

1. Laden Sie die Husqvarna Connect App auf Ihr Mobiltelefon.
2. Anmeldung bei der Husqvarna Connect App.
3. Befolgen Sie die Anweisungen in der Husqvarna Connect App, um sich zu verbinden und das Gerät zu registrieren.

Bevor Sie das Produkt in Betrieb nehmen

1. Lesen Sie die Bedienungsanleitung sorgfältig durch, und vergewissern Sie sich, dass Sie die Anweisungen verstehen.
2. Untersuchen Sie die Schneidausrüstung, um sicherzustellen, dass sie ordnungsgemäß befestigt und eingestellt ist. Siehe *So prüfen Sie die Schneidausrüstung auf Seite 71*.
3. Füllen Sie es in den Kraftstofftank. Siehe *So füllen Sie Kraftstoff ein auf Seite 68*.
4. Füllen Sie den Öltank, und überprüfen Sie den Ölstand. Siehe *So prüfen Sie den Ölstand auf Seite 72*.

So füllen Sie Kraftstoff ein

Falls vorhanden, verwenden Sie schadstoffarmes Benzin/Alkylatbenzin. Wenn schadstoffarmes Benzin/Alkylatbenzin nicht verfügbar ist, verwenden Sie ein qualitativ hochwertiges, bleifreies Benzin oder verbleites Benzin mit einer Oktanzahl von mindestens 90.



ACHTUNG: Verwenden Sie kein Benzin mit einer geringeren Oktanzahl als 90 RON (87 AKI). Dadurch kann das Gerät beschädigt werden.

1. Öffnen Sie den Tankdeckel langsam, damit der Druck entweichen kann.
2. Füllen Sie langsam mit einem Kraftstoffkanister auf. Wenn Sie Kraftstoff verschütten, entfernen Sie ihn mit einem Tuch und lassen Sie den verbleibenden Treibstoff trocknen. (Abb. 23)
3. Säubern Sie den Bereich um den Tankdeckel herum.
4. Schrauben Sie den Kraftstofftankdeckel fest zu. Wenn der Tankdeckel nicht fest zugeschraubt ist, besteht Feuergefahr.
5. Bewegen Sie das Gerät vor dem Starten mindestens 3 m (10 ft) von der Stelle fort, an der Sie den Tank befüllt hatten.

So stellen Sie die Schnitthöhe ein

Die Schnitthöhe lässt sich in 6 Stufen einstellen.

1. Bewegen Sie den Schnitthöhenhebel nach vorne, um die Schnitthöhe zu erhöhen.
2. Bewegen Sie den Schnitthöhenhebel nach hinten, um die Schnitthöhe zu verringern.



ACHTUNG: Stellen Sie die Schnitthöhe nicht zu niedrig ein. Die Klingen können auf den Boden treffen, wenn die Oberfläche des Rasens nicht eben ist.

So starten Sie das Produkt

1. Stellen Sie sicher, dass das Zündkabel mit der Zündkerze verbunden ist.
2. Kraftstoffventil öffnen. (Abb. 24)
3. Bleiben Sie hinter dem Produkt.
4. Halten Sie den Motorbremsgriff gegen den Lenker. (Abb. 25)
5. Ziehen Sie den Griff am Starterseilhandgriff mit Ihrer rechten Hand.
6. Ziehen Sie langsam das Starterseil, bis Sie etwas Widerstand spüren.
7. Kräftig ziehen, um den Motor anzulassen.



WARNUNG: Wickeln Sie das Starterseil nicht um Ihre Hand.



ACHTUNG: Ziehen Sie das Starterseil nicht vollständig aus. Lassen Sie den Griff des Starterseils nicht los, wenn das Starterseil vollständig ausgezogen ist.

So treiben Sie die Räder an

- Drücken Sie den Antriebshebel nach unten. (Abb. 26)
- Bevor Sie das Gerät nach hinten ziehen, kuppeln Sie den Antrieb aus und schieben das Gerät ca. 10 cm nach vorne.cm.
- Lassen Sie den Motorbremsgriff etwas los, um den Antrieb auszuschalten, wenn Sie sich beispielsweise auf ein Hindernis zubewegen.

So stoppen Sie das Gerät

- Um nur den Antrieb zu stoppen, lassen Sie den Motorbremsgriff etwas los.
- Um den Motor zu stoppen, lassen Sie den Motorbremsgriff vollständig los.
- Schließen Sie das Kraftstoffventil. (Abb. 27)

So erhalten Sie ein gutes Arbeitsergebnis

- Benutzen Sie immer eine scharfe Klinge. Eine stumpfe Klinge liefert ein unregelmäßiges Ergebnis, und die Schnittfläche des Grases wird gelb. Eine scharfe Klinge verbraucht außerdem weniger Energie als eine stumpfe Klinge.
- Schneiden Sie nicht mehr als $\frac{1}{4}$ der Länge des Grases ab. Mähen Sie zuerst mit einer hohen Schnitthöhe. Überprüfen Sie das Ergebnis, und senken Sie die Schnitthöhe auf eine entsprechende Stufe. Wenn das Gras sehr lang ist, fahren Sie langsam und mähen bei Bedarf 2-mal.
- Mähen Sie bei jedem Mal in eine andere Richtung, um Streifen auf dem Rasen zu vermeiden.
- Halten Sie die Schneidwerkabdeckung sauber. Ansammlungen von Gras und Schmutz auf der Innenseite der Schneidwerkabdeckung können das Schneidergebnis beeinträchtigen. Siehe *So reinigen Sie das Produkt außen auf Seite 70*.

Wartung

Einleitung



WARNUNG: Bevor Sie eine Wartung durchführen, müssen Sie das Kapitel über die Sicherheit lesen und verstehen.

Für alle Wartungs- und Reparaturarbeiten am Produkt ist eine spezielle Schulung erforderlich. Wir garantieren

die Verfügbarkeit von professionellen Reparaturen und Wartungsarbeiten. Wenn Ihr Händler keine Servicewerkstatt ist, sprechen Sie mit ihm, um Informationen über die nächste Servicewerkstatt zu erhalten.

Genauere Informationen finden Sie unter www.husqvarna.com.

Wartungsplan

Die Wartungsintervalle werden anhand der täglichen Nutzung des Geräts berechnet. Die Intervalle ändern sich, wenn das Gerät nicht täglich verwendet wird.

Für Wartungsarbeiten, die mit * gekennzeichnet sind, siehe Anweisungen in *Sicherheitsvorrichtungen am Gerät auf Seite 66*.

Instand halten	Täglich	Wöchentlich	Monatlich
Eine allgemeine Inspektion durchführen	X		
Den Ölstand prüfen	X		
Das Gerät reinigen	X		
Den Luftfilter reinigen	X		
Die Schneidusrüstung prüfen	X		
Die Schneidwerkabdeckung prüfen*	X		
Den Motorbremsgriff prüfen*	X		
Den Schalldämpfer prüfen*		X	
Die Zündkerze prüfen		X	
Den Antriebsriemen auf Beschädigungen prüfen			X
Das Getriebegehäuse reinigen			X
Für KLIPPO LB 448S, KLIPPO LB 453S. Das Öl wechseln (erstmalig nach 5 Betriebsstunden, danach alle 25 Betriebsstunden und jährlich)			X
Für KLIPPO LB 448SQ, KLIPPO LB 453SQ, KLIPPO LB 548SQe. Das Öl wechseln (erstmalig nach 5 Betriebsstunden, danach alle 100 Betriebsstunden und jährlich)			X
Den Luftfilter ersetzen			X
Den Kraftstofffilter prüfen			X
Den Antrieb (Kupplungsdraht) prüfen und justieren			X

So führen Sie eine allgemeine Inspektion durch

- Stellen Sie sicher, dass alle Muttern und Schrauben am Gerät richtig angezogen sind.

So reinigen Sie das Produkt außen

- Verwenden Sie einen Pinsel, um Blätter, Gras und Schmutz zu entfernen.
- Achten Sie darauf, dass der Lufteinlass auf der Oberseite des Motors nicht blockiert ist.
- Reinigen Sie das Gerät nicht mit einem Hochdruckreiniger.
- Wenn Sie Wasser verwenden, um das Produkt zu reinigen, bringen Sie das Wasser nicht direkt auf den Motor auf.

So reinigen Sie die Innenseite der Schneidwerkabdeckung

1. Legen Sie das Produkt mit dem Schalldämpfer nach unten auf die Seite.



ACHTUNG: Wenn das Produkt mit dem Luftfilter nach unten gelegt wird, kann der Motor beschädigt werden.

2. Spritzen Sie die Innenfläche der Schneidwerkabdeckung mit dem Wasserschlauch ab.

So überprüfen Sie den Antriebsriemen und reinigen das Getriebegehäuse

1. Entfernen Sie die 4 Schrauben am Riemenschutz und nehmen Sie diesen ab. (Abb. 28)
2. Überprüfen Sie den Antriebsriemen und die Riemenscheiben auf Beschädigungen.

3. Verwenden Sie eine Bürste, um Blätter, Gras oder Schmutz aus dem Getriebegehäuse zu entfernen. (Abb. 29)

So ersetzen Sie den Antriebsriemen und stellen ihn ein

1. Entfernen Sie die 4 Schrauben am Riemenchutz und nehmen Sie diesen ab. (Abb. 28)
2. Stecken Sie einen Schlitzschraubenzieher zwischen die Radkappe und das rechte Vorderrad des Geräts.
3. Drehen Sie den Schraubendreher vorsichtig, um die Radkappe zu entfernen.
4. Entfernen Sie den Radbolzen und das Rad. (Abb. 30)
5. Entfernen Sie den Treibriemen von den Riemenscheiben.
6. Stellen Sie sicher, dass sich die Riemenscheiben leicht auf der Achse bewegen.
7. Sprühen Sie, falls erforderlich, Kriechöl zwischen und hinter die Riemenscheiben, und schmieren Sie die Achse.
8. Montieren Sie einen neuen Treibriemen, und befestigen Sie ihn ordnungsgemäß am Kugellager, bevor Sie den Treibriemen einstellen. (Abb. 31)
9. Bewegen Sie das Kugellager nach oben oder unten, um den Treibriemen einzustellen. (Abb. 32)

Hinweis: Ein neuer Treibriemen dehnt sich bei Gebrauch. Stellen Sie den Treibriemen nach einigen Betriebsstunden erneut ein.

10. Befestigen Sie den Riemenchutz.
11. Bedienen Sie das Gerät, um sicherzustellen, dass der Treibriemen ordnungsgemäß montiert und eingestellt ist.

So ersetzen Sie den Zwischenriemen und stellen ihn ein

1. Entfernen Sie die Klinge.

Hinweis: Dieser Schritt ist nicht notwendig, wenn Sie nur den Zwischenriemen einstellen.

2. Lösen Sie die Stellschrauben etwas, aber entfernen Sie sie nicht. (Abb. 33)
3. Ersetzen Sie den Zwischenriemen, und ziehen Sie die Stellschrauben mäßig an.

Hinweis: Dieser Schritt ist nicht notwendig, wenn Sie nur den Zwischenriemen einstellen.

4. Bewegen Sie das Zahnrad nach vorn oder hinten, um den Zwischenriemen einzustellen. (Abb. 34)

5. Prüfen Sie mit einer Hakenskala die Spannung des Zwischenriemens. Der Riemen ist ordnungsgemäß gespannt, wenn er in der Mitte ein Spiel von 6 bis 10 mm hat. Das entspricht einer Zugkraft von 3 kg. (Abb. 35)
6. Ziehen Sie die Stellschrauben mit einem Drehmoment von 3 Nm vollständig an.
7. Bedienen Sie das Gerät, um sicherzustellen, dass der Treibriemen ordnungsgemäß montiert und eingestellt ist.

So prüfen Sie die Schneidausrüstung



WARNUNG: Um ein unbeabsichtigtes Starten zu vermeiden, entfernen Sie das Zündkabel von der Zündkerze.



WARNUNG: Tragen Sie Schutzhandschuhe, wenn Sie an der Schneidausrüstung eine Wartung durchführen. Die Klinge ist sehr scharf und man schneidet sich sehr leicht.

1. Prüfen Sie die Schneidausrüstung auf Beschädigungen oder Risse. Wechseln Sie eine beschädigte Schneidausrüstung unbedingt aus.
2. Schauen Sie sich die Klinge an, um festzustellen, ob sie beschädigt oder stumpf ist.

Hinweis: Nach dem Schärfen muss die Klinge ausbalanciert werden. Lassen Sie eine Servicewerkstatt die Klinge schärfen, ersetzen und ausbalancieren. Wenn Sie auf ein Hindernis treffen, das das Produkt zum Halten bringt, ersetzen Sie die beschädigte Klinge. Lassen Sie die Werkstatt beurteilen, ob die Klinge geschliffen werden kann oder ersetzt werden muss.

So tauschen Sie die Klinge aus

1. Arretieren Sie die Klinge mit einem Holzblock. (Abb. 36)
2. Entfernen Sie die Klingenschraube, die Federscheibe und die Klinge. (Abb. 37)
3. Überprüfen Sie die Klingenauflage und die Klingenschraube auf Beschädigungen.
 - a) Wenn Sie die Klinge oder die Klingenauflage ersetzen, dann ersetzen Sie bitte auch die Klingenschraube, die Federscheibe und die Reibscheibe.
4. Prüfen Sie die Motorwelle, um sicherzustellen, dass sie nicht geknickt ist.
5. Wenn Sie die neue Klinge montieren, stellen Sie sicher, dass die gebogenen Enden der Klinge in die Richtung der Schneidwerkabdeckung zeigen. (Abb. 38)
6. Setzen Sie die Reibscheibe und die Klinge an die Klingenauflage an. (Abb. 39)

7. Stellen Sie sicher, dass die Klinge mit der Mitte der Motorwelle ausgerichtet ist. (Abb. 40)
8. Arretieren Sie die Klinge mit einem Holzblock. (Abb. 41)
9. Befestigen Sie die Federscheibe, und ziehen Sie die Schraube mit einem Drehmoment von 80 Nm fest. (Abb. 42)
10. Drehen Sie die Klinge mit der Hand, um sicherzustellen, dass sie sich einwandfrei dreht.



WARNUNG: Tragen Sie stets Schutzhandschuhe. Die Klinge ist sehr scharf, und man schneidet sich sehr leicht.

11. Starten Sie das Gerät, um die Klinge zu prüfen. Wenn die Klinge nicht richtig befestigt ist, gibt es im Gerät Vibrationen, oder das Schneidergebnis ist unbefriedigend.

So prüfen Sie den Ölstand



ACHTUNG: Ein zu niedriger Ölstand kann den Motor beschädigen. Überprüfen Sie den Ölstand, bevor Sie das Gerät starten.

1. Stellen Sie das Gerät auf einer ebenen Fläche ab.
2. Entfernen Sie den Öltankdeckel mit dem beigefügten Messstab.
3. Reinigen Sie den Messstab von Öl.
4. Stecken Sie den Messstab vollständig in den Öltank. Ziehen Sie den Öltankdeckel fest, um ein korrektes Bild des Ölstands zu erhalten.
5. Entfernen Sie den Messstab.
6. Prüfen Sie den Ölstand am Messstab.
7. Wenn der Ölstand zu niedrig ist, füllen Sie Motoröl nach und kontrollieren den Ölstand erneut.

(Abb. 43)

Hinweis: Verwenden Sie einen Trichter, um ein Verschütten zu vermeiden.

So wechseln Sie das Motoröl



WARNUNG: Das Motoröl ist direkt nach dem Abstellen des Motors sehr heiß. Lassen Sie den Motor abkühlen, bevor Sie das Motoröl ablassen. Wenn Motoröl auf Ihre Haut gerät, reinigen Sie diese mit Wasser und Seife.

(Abb. 44)

1. Trennen Sie das Zündkabel von der Zündkerze.

2. Entfernen Sie den Öltankdeckel.
3. Lassen Sie das Motoröl ab.
 - a) Bei Modellen mit Ölablassschraube: Stellen Sie einen Behälter unter die Ölablassschraube, um das Motoröl aufzufangen.
 - b) Bei Modellen ohne Ölablassschraube oder wenn es nicht möglich ist, einen Behälter unter die Ölablassschraube zu stellen: Verwenden Sie eine Ölpumpe (Zubehör), um das Motoröl aus dem Öltank abzulassen.
4. Füllen Sie ein Motoröl des Typs ein, das empfohlen wird unter *Technische Angaben auf Seite 74*.
5. Prüfen Sie den Ölstand. Siehe *So prüfen Sie den Ölstand auf Seite 72*.

Luffilter

Hinweis: Ein Luffilter, der über lange Zeit verwendet wurde, kann nicht vollständig gereinigt werden. Ersetzen Sie den Luffilter in regelmäßigen Abständen. Ersetzen Sie einen beschädigten Luffilter in jedem Fall.

So entfernen und installieren Sie den Luffilter (KLIPPO LB 448SQ, KLIPPO LB 453SQ, KLIPPO LB 548Qe)



WARNUNG: Tragen Sie stets Schutzhandschuhe.

1. Drücken Sie die Clips am Luffilterdeckel.
2. Entfernen Sie den Luffilterdeckel (A) vorsichtig vom Motor.
3. Entfernen Sie den Luffilter (B) und den Schaumfilter (C). (Abb. 45)
4. Überprüfen Sie den Luffilter auf Schäden. Ersetzen Sie beschädigte Luffilter.
5. Reinigen Sie den Luffilter, und untersuchen sie ihn. Siehe *So reinigen Sie den Luffilter (KLIPPO LB 448SQ, KLIPPO LB 453SQ, KLIPPO LB 548Qe) auf Seite 72*.
6. Die Installation erfolgt in umgekehrter Reihenfolge.

So reinigen Sie den Luffilter (KLIPPO LB 448SQ, KLIPPO LB 453SQ, KLIPPO LB 548Qe)



ACHTUNG: Betreiben Sie den Motor nicht ohne einen Luffilter oder mit einem verschmutzten Luffilter.



ACHTUNG: Ersetzen Sie den Luffilter, wenn er nicht vollständig gereinigt werden kann oder beschädigt ist. Ein defekter Luffilter führt zu Motorschäden.

1. Drücken Sie die Verriegelungslaschen (A), entfernen Sie den Luftfilterdeckel (B) und anschließend den Luftfilter (C). (Abb. 46)
2. Schlagen Sie den Luftfilter gegen eine harte Oberfläche, oder blasen Sie von der sauberen Seite des Luftfilters Druckluft durch den Luftfilter.



ACHTUNG: Entfernen Sie auf keinen Fall Schmutz mit einer Bürste, denn dabei wird der Schmutz in den Luftfilter gedrückt.

3. Reinigen Sie den Luftfilterhalter (D) und den Luftfilterdeckel mit einem feuchten Tuch.



ACHTUNG: Achten Sie darauf, dass kein Schmutz in den Luftkanal (E) gelangt.

4. Montieren Sie den Luftfilter. Achten Sie darauf, dass der Luftfilter den Luftfilterhalter vollständig abdichtet.
5. Montieren Sie den Luftfilterdeckel mit den unteren Laschen voran.

So reinigen Sie den Luftfilter (KLIPPO LB 448S, KLIPPO LB 453S)



ACHTUNG: Betreiben Sie den Motor nicht ohne einen Luftfilter oder mit einem verschmutzten Luftfilter.



ACHTUNG: Ersetzen Sie den Luftfilter, wenn er nicht vollständig gereinigt werden kann oder beschädigt ist. Ein defekter Luftfilter führt zu Motorschäden.

1. Drücken Sie die Verriegelungslaschen (A), entfernen Sie den Luftfilterdeckel (B) und anschließend den Luftfilter (C). (Abb. 47)
2. Schlagen Sie den Luftfilter gegen eine harte Oberfläche, oder blasen Sie von der sauberen Seite des Luftfilters Druckluft durch den Luftfilter.



ACHTUNG: Entfernen Sie auf keinen Fall Schmutz mit einer Bürste, denn dabei wird der Schmutz in den Luftfilter gedrückt.

3. Reinigen Sie den Luftfilterhalter (D) und den Luftfilterdeckel mit einem feuchten Tuch.



ACHTUNG: Achten Sie darauf, dass kein Schmutz in den Luftkanal (E) gelangt.

4. Montieren Sie den Luftfilter. Achten Sie darauf, dass der Luftfilter den Luftfilterhalter vollständig abdichtet.
5. Montieren Sie den Luftfilterdeckel mit den unteren Laschen voran.

So überprüfen Sie die Zündkerze



ACHTUNG: Verwenden Sie stets den vom Hersteller empfohlenen Zündkerzentyp! Die Verwendung eines falschen Zündkerzentyps kann zu Schäden am Gerät führen.

- Überprüfen Sie die Zündkerze, wenn der Motor nur schwache Leistung bringt, sich nur schwer starten lässt oder im Leerlauf nicht ordnungsgemäß funktioniert.
- Wenn Sie diese Anweisungen befolgen, verringern Sie die Gefahr von unerwünschtem Material an den Elektroden der Zündkerze:
 - a) Stellen Sie sicher, dass die Leerlaufdrehzahl richtig eingestellt ist.
 - b) Vergewissern Sie sich, dass das Kraftstoffgemisch korrekt ist.
 - c) Vergewissern Sie sich, dass der Luftfilter sauber ist.
- Ist die Zündkerze verschmutzt, so ist sie zu reinigen; gleichzeitig ist zu prüfen, ob der Elektrodenabstand korrekt ist, siehe *Technische Angaben auf Seite 74*. (Abb. 48)
- Tauschen Sie die Zündkerze bei Bedarf aus.

So prüfen Sie die Kraftstoffanlage

- Prüfen Sie den Kraftstofftankdeckel und die Dichtung für den Tankdeckel, um sicherzustellen, dass keine Beschädigungen vorliegen.
- Untersuchen Sie den Kraftstoffschlauch, um sicherzustellen, dass keine undichten Stellen vorhanden sind. Wenn der Schlauch beschädigt ist, lassen Sie ihn durch eine Servicewerkstatt austauschen.

So passen Sie das Kupplungsseil an

Wenn sich der Antrieb langsam anfühlt, muss das Kupplungsseil angepasst werden.

- Drehen Sie die Stellschraube. (Abb. 49)

Das Kupplungsseil ist richtig eingestellt, wenn die Kupplungsseilhalterung mit der Mutter ausgerichtet ist.

(Abb. 50)

Transport, Lagerung und Entsorgung

Transport und Lagerung

- Für die Lagerung und den Transport des Produkts und des Kraftstoffs ist darauf zu achten, dass keine Lecks oder Dämpfe vorhanden sind. Funken oder offene Flammen, zum Beispiel von elektrischen Geräten oder einem Boiler, können ein Feuer auslösen.
- Verwenden Sie für die Lagerung und den Transport von Kraftstoff immer zugelassene Behälter.
- Leeren Sie den Kraftstofftank, bevor Sie das Produkt über einen längeren Zeitraum einlagern. Entsorgen Sie den Kraftstoff in einer geeigneten Abfallentsorgungsstelle.
- Sichern Sie das Produkt während des Transports ab, um Schäden und Unfälle zu vermeiden.

- Bewahren Sie das Produkt in einem verschlossenen Bereich auf, um einen unerlaubten Zugriff durch Kinder oder andere Personen zu verhindern.
- Bewahren Sie das Produkt an einem trockenen und frostfreien Raum auf.

Entsorgung

- Befolgen Sie die örtlichen Recyclinganforderungen und geltenden Vorschriften.
- Entsorgen Sie alle Chemikalien, z. B. Motoröl oder Kraftstoff, in einer Servicewerkstatt oder in einer geeigneten Abfallentsorgungsstelle.
- Wenn Sie das Produkt nicht mehr benutzen, senden Sie es an einen Husqvarna Händler oder entsorgen Sie es in einer Wiederverwertungsanlage.

Technische Angaben

Technische Daten

	KLIPPO LB 448S	KLIPPO LB 448SQ	KLIPPO LB 453S	KLIPPO LB 453SQ	KLIPPO LB 548SQe
Motor					
Marke	Honda	Husqvarna	Honda	Husqvarna	Husqvarna
Model	GCVX-145	HS 166AP	GCVx-170	HS 166AP	HS 166AP
Motortyp	Einzyylinder, 4-Takt, Zwangsluftkühlung, OHV	Einzyylinder, 4-Takt, Zwangsluftkühlung, OHV	Einzyylinder, 4-Takt, Zwangsluftkühlung, OHV	Einzyylinder, 4-Takt, Zwangsluftkühlung, OHV	Einzyylinder, 4-Takt, Zwangsluftkühlung, OHV
Hubraum, cm ³	145	166	166	166	166
Drehzahl, U/min	2900	2900	2900	2900	2900
Nennleistung des Motors, kW ²¹	2,7	2,75	3,3	2,75	2,75
Zündanlage					
Zündkerze	NGK BPR5ES	Husqvarna HQT-7	NGK BPR5ES	Husqvarna HQT-7	Husqvarna HQT-7
Elektrodenabstand, mm	0,7-0,8	0,7-0,8	0,7-0,8	0,7-0,8	0,7-0,8
Kraftstoff- und Schmiersystem					
Motorschmiertyp	Splash	Splash	Splash	Splash	Splash

²¹ Die Motornennleistung ist die durchschnittlich nach SAE-Standard J1349/ISO1585 gemessene Nettoleistung eines typischen Motors aus der Produktion, die (bei einer bestimmten Drehzahl) an das Motormodell abgegeben wird. Motoren für die Massenproduktion können von diesem Wert abweichen. Die tatsächliche Ausgangsleistung des eingebauten Motors hängt von der Betriebsdrehzahl, den Umgebungsbedingungen und anderen Werten ab.

	KLIPPO LB 448S	KLIPPO LB 448SQ	KLIPPO LB 453S	KLIPPO LB 453SQ	KLIPPO LB 548SQe
Füllmenge Kraftstofftank, Liter	0,9	1,5	0,9	1,5	1,5
Füllmenge Öltank, Liter	0,5	0,5	0,55	0,5	0,5
Motoröl ²²	Husqvarna SAE 30	Husqvarna SAE 30	Husqvarna SAE 30/SAE 10W-30	Husqvarna SAE 30/SAE 10W-30	Husqvarna SAE 30/SAE 10W-30
Gewicht					
Mit leeren Tanks, kg	30,5	32,5	33	33,5	34,5
Geräuschemissionen ²³					
Schalleistungspegel, gemessen dB (A)	90	93	91	94	92
Schalleistungspegel, garantiert L _{WA} dB (A)	91	93	94	95	93
Schallpegel ²⁴					
Schalldruckpegel am Ohr des Bedieners, dB (A)	77	79	78	81	79
Schwingungsniveau, a_{hveq} ²⁵					
Griff, m/s ²	4,5	4,2	5,3	6,4	4,0
Schneidusrüstung					
Schnitthöhe, mm	30-60	30-60	30-60	30-60	30-60
Schnittbreite, mm	480	480	530	530	480
Klinge	Mulch – 48 cm	Mulch – 48 cm	Mulch – 53 cm	Mulch – 53 cm	Mulch – 48 cm
	5028813-10	5028813-10	5028814-10	5028814-10	5028813-10
Antrieb					
Geschwindigkeit, km/h	4,5	4,5	4,5	4,5	4,5

²² Wird SAE-30-Öl bei Temperaturen unter +5 °C verwendet, besteht die Gefahr, dass der Motor nicht ausreichend geschmiert wird. Dadurch können schwere Motorschäden entstehen. Siehe *So wechseln Sie das Motoröl auf Seite 72* für das richtige Öl bei niedrigen Temperaturen

²³ Umweltbelastende Geräuschemissionen, gemessen als Schalleistung (L_{WA}) gemäß EG-Richtlinie 2000/14/EG.

²⁴ Schalldruckpegel gemäß ISO 5395. Berichten zufolge liegt der Schalldruckpegel normalerweise bei einer Ausbreitungsklasse (Standardabweichung) von 1,2 dB (A).

²⁵ Vibrationspegel gemäß ISO 5395. Berichten zufolge liegt der Vibrationspegel normalerweise bei einer Ausbreitungsklasse (Standardabweichung) von 0,2 m/s².

Konformitätserklärung

EU-Konformitätserklärung

Die **Husqvarna AB**, SE-561 82 Huskvarna, Schweden,
Tel.: +46-36-146500, erklärt in alleiniger Verantwortung,
dass das Gerät:

Beschreibung	Rasenmäher
Marke	Husqvarna
Typ/Modell	KLIPPO LB 448S, KLIPPO LB 453S, KLIPPO LB 448SQ, KLIPPO LB 453SQ, KLIPPO LB 548SQe
Identifizierung	Seriennummern ab 2022

die folgenden EU-Richtlinien und -Verordnungen erfüllt:

Richtlinie/Verordnung	Beschreibung
2006/42/EG	„Maschinenrichtlinie“
2014/30/EG	„bezüglich EMV-Richtlinie“
2000/14/EG	„über umweltbelastende Geräuschemissionen von zur Verwendung im Freien vorgesehenen Geräten und Maschinen“
2011/65/EG	„zur Beschränkung der Verwendung bestimmter gefährlicher Stoffe in Elektro- und Elektronikgeräten“

und dass die folgenden Normen und/oder technischen Daten angewendet werden: EN ISO 5395-1:2013/A1:2018, EN ISO 5395-2:2013/A1:2016/A2:2017, EN ISO 14982:2009, EN IEC 63000:2018.

Benannte Stelle: 0404, RISE SMP Svensk Maskinprovning AB, Box 4053, SE-904 03 Umeå, Sweden.bestätigte die Konformität mit der Richtlinie 2000/14/EG, Konformitätsbewertungsverfahren nach: Anhang VI.

Informationen zu Geräuschemissionen finden Sie unter *Technische Angaben auf Seite 74*.

Huskvarna, 2023-02-07



Claes Lossal, Entwicklungsleiter/Gartenprodukte,
Husqvarna AB

Verantwortlich für die technische Dokumentation



Περιεχόμενα

Εισαγωγή.....	77	Συντήρηση.....	83
Ασφάλεια.....	78	Μεταφορά, αποθήκευση και απόρριψη.....	88
Συναρμολόγηση.....	81	Τεχνικά στοιχεία.....	88
Λειτουργία.....	82	Δήλωση Συμμόρφωσης.....	90

Εισαγωγή

Περιγραφή προϊόντος

Το προϊόν είναι ένα ωθούμενο χλοοκοπτικό γκαζόν πεζού χειριστή με κύλινδρο, που χρησιμοποιεί το BioClip® για να κόψει το γρασίδι σε σύνθεση λίπασματος.

Επισκόπηση προϊόντος

(Εικ. 1)

1. Λαβή / χειρολαβή
2. Λαβή φρένου κινητήρα
3. Λεβιές μετάδοσης κίνησης
4. Λαβή κορδονιού συστήματος εκκίνησης
5. Τάπα λαδιού
6. Προστατευτικό ιμάντα
7. Εξάτμιση
8. Μπουζί
9. Προστατευτικό ιμάντα
10. Ντεπόζιτο καυσίμου
11. Λεβιές ρύθμισης γωνίας της λαβής
12. Σύστημα απόσβεσης κραδασμών
13. Ρύθμιση καλωδίου συμπλέκτη
14. Μοχλός ρύθμισης του ύψους κοπής
15. Βαλβίδα καυσίμου
16. Φίλτρο αέρα
17. Κάλυμμα κοπής
18. Ροδέλα ελατηρίου
19. Βίδα λεπίδας
20. Λεπίδα
21. Στήριγμα λεπίδας
22. Πώμα χορτολίπασματος KLIPPO LB 448S, KLIPPO LB 448SQ, KLIPPO LB 548SQe
23. Εγχειρίδιο χρήσης

Σύμβολα στο προϊόν

(Εικ. 2) ΠΡΟΕΙΔΟΠΟΙΗΣΗ: Η απρόσεκτη ή λανθασμένη χρήση μπορεί να προκαλέσει τραυματισμό ή θάνατο του χειριστή ή άλλων ατόμων.

(Εικ. 3) Πρωτού χρησιμοποιήσετε το προϊόν, διαβάστε το εγχειρίδιο χρήσης προσεκτικά και βεβαιωθείτε ότι έχετε κατανοήσει τις οδηγίες.

Προβλεπόμενη χρήση

Χρησιμοποιήστε το προϊόν για την κοπή γρασιδιού. Μην χρησιμοποιείτε το προϊόν για άλλες εργασίες.

(Εικ. 4) Προσέχετε για αντικείμενα που μπορεί να εκτοξευθούν ή να εξοστρακιστούν.

(Εικ. 5) Διατηρήστε τα άλλα άτομα και τα ζώα σε απόσταση ασφαλείας από την περιοχή εργασίας.

(Εικ. 6) Πρωτού πραγματοποιήσετε οποιαδήποτε εργασία επισκευής ή συντήρησης, σταματήστε τον κινητήρα και αφαιρέστε το καλώδιο ανάφλεξης.

(Εικ. 7) Προειδοποίηση: Να διατηρείτε τα χέρια και τα πόδια σας μακριά από κινούμενα μέρη.

(Εικ. 8) Προειδοποίηση: Να διατηρείτε τα χέρια και τα πόδια σας μακριά από την περιστρεφόμενη λεπίδα.

(Εικ. 9) Αυτό το προϊόν συμμορφώνεται με τις ισχύουσες οδηγίες ΕΚ.

(Εικ. 10) Αυτό το προϊόν συμμορφώνεται με τις ισχύουσες οδηγίες του Η.Β.

(Εικ. 11) Το προϊόν συμμορφώνεται με τις ισχύουσες οδηγίες της Ευρωπαϊκής Ένωσης. Ισχύει μόνο για KLIPPO LB 448S & KLIPPO LB 453S.

(Εικ. 12) Ετικέτα εκπομπών θορύβου στο περιβάλλον σύμφωνα με οδηγίες και κανονισμούς της ΕΕ και του Η.Β. και τη νομοθεσία της Νότιας Νέας Ουαλίας "Κανονισμός για την προστασία των περιβαλλοντικών δράσεων (έλεγχος θορύβου) του 2017". Η εγγυημένη στάθμη θορύβου του προϊόντος καθορίζεται στην ενότητα *Τεχνικά στοιχεία στη σελίδα 88* και στην ετικέτα.

Περιεχόμενα Άλλα σύμβολα/σήματα που υπάρχουν στο προϊόν αναφέρονται σε συγκεκριμένες νομικές απαιτήσεις της αγοράς.

Σήμα στο προϊόν, μόνο για Αυστραλία και Νέα Ζηλανδία

(Εικ. 14)

Να διατηρείτε τα χέρια και τα πόδια σας μακριά από την περιστρεφόμενη λεπίδα.

Εκπομπές Euro V



ΠΡΟΕΙΔΟΠΟΙΗΣΗ: Οποιαδήποτε μη εξουσιοδοτημένη παρέμβαση στον

Ευθύνη προϊόντος

Όπως αναφέρεται στη νομοθεσία περί ευθύνης για τα προϊόντα, δεν φέρουμε καμία ευθύνη για ζημιές που οφείλονται στο προϊόν μας εάν:

- Το προϊόν έχει επισκευαστεί λανθασμένα.
- Το προϊόν έχει επισκευαστεί με εξαρτήματα που δεν προέρχονται από τον κατασκευαστή ή που δεν έχουν εγκριθεί από τον κατασκευαστή.
- Το προϊόν διαθέτει ένα αξεσουάρ που δεν προέρχεται από τον κατασκευαστή ή που δεν έχει εγκριθεί από τον κατασκευαστή.
- Το προϊόν δεν έχει επισκευαστεί σε εγκεκριμένο κέντρο σέρβις ή από εγκεκριμένη αρχή.

Ασφάλεια

Ορισμοί για την ασφάλεια

Για την επισήμανση ειδικών σημαντικών τμημάτων του εγχειριδίου χρησιμοποιούνται προειδοποιήσεις, συστάσεις προσοχής και σημειώσεις.



ΠΡΟΕΙΔΟΠΟΙΗΣΗ: Χρησιμοποιείται όταν υπάρχει κίνδυνος τραυματισμού ή θανάτου του χειριστή ή άλλων παριστάμενων ατόμων, αν δεν τηρηθούν οι οδηγίες που παρέχονται στο εγχειρίδιο.



ΠΡΟΣΟΧΗ: Χρησιμοποιείται όταν υπάρχει κίνδυνος πρόκλησης ζημιάς στο προϊόν, σε άλλα υλικά ή στον παρακείμενο χώρο, αν δεν τηρηθούν οι οδηγίες που παρέχονται στο εγχειρίδιο.

Περιεχόμενα Χρησιμοποιείται για παροχή περισσότερων πληροφοριών, οι οποίες χρειάζονται σε μια δεδομένη κατάσταση.

Γενικές οδηγίες ασφαλείας



ΠΡΟΕΙΔΟΠΟΙΗΣΗ: Προτού χρησιμοποιήσετε το προϊόν, διαβάστε τις παρακάτω προειδοποιητικές οδηγίες.

- Αυτό το προϊόν είναι επικίνδυνο αν δεν χρησιμοποιηθεί σωστά ή αν δεν είστε προσεκτικοί. Αν δεν τηρείτε τις οδηγίες ασφαλείας, μπορεί να προκληθεί τραυματισμός ή θάνατος.
- Αυτό το προϊόν παράγει ηλεκτρομαγνητικό πεδίο κατά τη λειτουργία του. Το πεδίο αυτό, υπό ορισμένες συνθήκες, μπορεί να προκαλέσει

παρεμβολές σε ενεργά ή παθητικά ιατρικά εμφυτεύματα. Για να μειωθεί ο κίνδυνος σοβαρών ή θανατηφόρων τραυματισμών, συνιστούμε στα άτομα με ιατρικά εμφυτεύματα να συμβουλευτούν τον θεράποντα ιατρό τους και τον κατασκευαστή του ιατρικού εμφυτεύματος, προτού θέσουν το προϊόν σε λειτουργία.

- Πρέπει πάντα να προσέχετε και να χρησιμοποιείτε την κοινή λογική. Αν δεν είστε βέβαιοι πώς να χειριστείτε το προϊόν σε μια ιδιαίτερη κατάσταση, σταματήστε και μιλήστε με τον αντιπρόσωπο της Husqvarna προτού συνεχίσετε.
- Πρέπει να θυμάστε ότι ο χειριστής θεωρείται υπεύθυνος για ατυχήματα που μπορεί να προκληθούν σε άλλα άτομα ή στην περιουσία τους.
- Να διατηρείτε το προϊόν καθαρό. Βεβαιωθείτε ότι μπορείτε να διαβάσετε καθαρά τις ενδείξεις και τα σήματα.
- Μην επιτρέπετε σε κανένα άτομο να χρησιμοποιήσει το προϊόν αν δεν βεβαιωθείτε ότι έχει διαβάσει και κατανοήσει τα περιεχόμενα του εγχειριδίου χρήσης.
- Μην επιτρέπετε σε παιδιά να χρησιμοποιήσουν το προϊόν.
- Μην αφήνετε να πλησιάσουν παιδιά στην περιοχή εργασίας. Πρέπει να είναι παρών ένας υπεύθυνος ενήλικας ανά πάσα στιγμή.
- Μην επιτρέπετε σε άτομα που δεν έχουν διαβάσει τις οδηγίες να χρησιμοποιήσουν το προϊόν.
- Αν το προϊόν χρησιμοποιείται από ένα άτομο με μειωμένη σωματική ή διανοητική ικανότητα, θα πρέπει πάντα να το επιβλέπετε. Πρέπει να είναι παρών ένας υπεύθυνος ενήλικας ανά πάσα στιγμή.
- Μην χρησιμοποιείτε το προϊόν, αν είστε κουρασμένοι, άρρωστοι ή υπό την επήρεια αλκοόλ, ναρκωτικών ή φαρμάκων. Αυτά έχουν αρνητικές συνέπειες στην όραση, την αυτοσυγκέντρωση, τον συντονισμό και την κρίση σας.

- Μην χρησιμοποιείτε το προϊόν εάν έχει υποστεί ζημιά ή δεν λειτουργεί σωστά.
- Μην τροποποιείτε το προϊόν και μην το χρησιμοποιείτε αν είναι εμφανές ότι έχει τροποποιηθεί από άλλους.
- Μην αλλάζετε τη ρύθμιση του χειριστήριου στροφών κινητήρα.
- Βεβαιωθείτε ότι γνωρίζετε πώς να σταματήσετε τον κινητήρα γρήγορα σε περίπτωση έκτακτης ανάγκης.
- Μην εκκινείτε ποτέ τον κινητήρα μέσα σε κλειστό χώρο ή κοντά σε εύφλεκτα υλικά. Τα καυσάερα του κινητήρα είναι ζεστά και ενδέχεται να έχουν σπινθήρες που μπορεί να προκαλέσουν πυρκαγιά.
- Μην λειτουργείτε το προϊόν αν δεν είναι σωστά συνδεδεμένη η λεπίδα και όλα τα καλύμματα. Αν η λεπίδα δεν είναι σωστά συνδεδεμένη, μπορεί να χαλαρώσει και να προκληθεί προσωπικός τραυματισμός.

Ασφάλεια στο χώρο εργασίας



ΠΡΟΕΙΔΟΠΟΙΗΣΗ: Προτού χρησιμοποιήσετε το προϊόν, διαβάστε τις παρακάτω προειδοποιητικές οδηγίες.

- Αφαιρέστε αντικείμενα όπως κλαδιά, κλωνάρια και πέτρες από την περιοχή εργασίας πριν χρησιμοποιήσετε το προϊόν.
- Τα αντικείμενα που χτυπούν πάνω στον εξοπλισμό κοπής μπορεί να πεταχτούν και να προκαλέσουν ζημιές σε πρόσωπα και αντικείμενα. Να διατηρείτε τους παρευρισκόμενους και τα ζώα σε απόσταση ασφαλείας από το προϊόν.
- Μην χρησιμοποιείτε ποτέ το προϊόν σε κακές καιρικές συνθήκες, όπως ομίχλη, βροχή, ισχυρό άνεμο, έντονο κρύο και κίνδυνο κεραυνού. Η χρήση του προϊόντος σε κακές καιρικές συνθήκες, σε συνθήκες υγρασίας ή σε υγρές τοποθεσίες είναι εξαιρετικά κούραστική. Οι κακές καιρικές συνθήκες μπορεί να προκαλέσουν επικίνδυνες καταστάσεις, όπως ολισθηρές επιφάνειες.
- Να προσέχετε για πρόσωπα, αντικείμενα και καταστάσεις που μπορεί να αποτρέψουν την ασφαλή λειτουργία του προϊόντος.
- Να προσέχετε για εμπόδια, όπως ρίζες, πέτρες, κλωνάρια, λακκούβες και χαντάκια. Το μακρύ γρασίδι μπορεί να κρύβει εμπόδια.
- Η κοπή χόρτου σε πλαγιές μπορεί να είναι επικίνδυνη. Μην χρησιμοποιείτε το προϊόν σε πλαγιές με κλίση πάνω από 15°.
- Να κατευθύνετε το προϊόν κατά πλάτος στις επιφάνειες με κλίση. Να μην μετακινείστε προς τα πίσω και προς τα κάτω.
- Να είστε ιδιαίτερα προσεκτικοί κοντά σε κρυφές γωνίες και αντικείμενα που εμποδίζουν το οπτικό σας πεδίο.
- Να βεβαιώνετε ότι γνωρίζετε πώς να σταματήσετε τον κινητήρα μέσα σε κλειστό χώρο ή κοντά σε εύφλεκτα υλικά. Τα καυσάερα του κινητήρα είναι ζεστά και ενδέχεται να έχουν σπινθήρες που μπορεί να προκαλέσουν πυρκαγιά.
- Μην λειτουργείτε το προϊόν αν δεν είναι σωστά συνδεδεμένη η λεπίδα και όλα τα καλύμματα. Αν η λεπίδα δεν είναι σωστά συνδεδεμένη, μπορεί να χαλαρώσει και να προκληθεί προσωπικός τραυματισμός.
- Να βεβαιώνετε ότι ο δίσκος δεν χτυπάει αντικείμενα, όπως πέτρες και ρίζες. Αυτό μπορεί να κάνει ζημιά στη λεπίδα και να λυγίσει τον άξονα του κινητήρα. Ο λυγισμένος άξονας προκαλεί ισχυρή δόνηση και πολύ υψηλό κίνδυνο χαλάρωσης της λεπίδας.
- Σε περίπτωση πρόσκρουσης της λεπίδας σε αντικείμενο ή αν διαπιστώσετε κραδασμούς, διακοπείτε αμέσως τη λειτουργία του προϊόντος. Αφαιρέστε το καλώδιο ανάφλεξης από το μπουζί. Ελέγξτε το προϊόν για ζημιές. Επισκευάστε τις ζημιές ή αναθέστε την επισκευή σε έναν εξουσιοδοτημένο αντιπρόσωπο σέρβις.
- Μην συνδέετε ποτέ μόνιμα τη λαβή φρένου κινητήρα στη χειρολαβή κατά την εκκίνηση του κινητήρα.
- Τοποθετήστε το προϊόν σε μια σταθερή, επίπεδη επιφάνεια και εκκινήστε το. Να βεβαιώνετε ότι η λεπίδα δεν χτυπάει στο έδαφος ή σε άλλα αντικείμενα.
- Να παραμένετε πάντα πίσω από το προϊόν κατά τη λειτουργία.
- Κατά τη λειτουργία του προϊόντος, θα πρέπει όλοι οι τροχοί να ακουμπούν στο έδαφος και να διατηρείτε και τα 2 χέρια πάνω στη λαβή. Διατηρήστε τα χέρια και τα πόδια σας μακριά από τις περιστρεφόμενες λεπίδες.
- Μην γέρνετε το προϊόν όταν εκκινείται ο κινητήρας.
- Να είστε προσεκτικοί όταν τραβάτε το προϊόν προς τα πίσω.
- Να μην ανασηκώνετε ποτέ το προϊόν όταν εκκινείται ο κινητήρας. Αν πρέπει να ανασηκώσετε το προϊόν, σβήστε πρώτα τον κινητήρα και αποσυνδέστε το καλώδιο ανάφλεξης από το μπουζί.
- Να μην περπατάτε προς τα πίσω όταν χρησιμοποιείτε το προϊόν.
- Να σβήνετε τον κινητήρα όταν μετακινείστε σε περιοχές χωρίς χόρτα, για παράδειγμα μονοπάτια από χαλίκι, πέτρα και άσφαλτο.
- Μην τρέχετε με το προϊόν όταν εκκινείται ο κινητήρας. Να περπατάτε πάντα προς τα εμπρός όταν χρησιμοποιείτε το προϊόν.
- Να σβήνετε τον κινητήρα προτού αλλάξετε το ύψος κοπής. Μην προβείτε ποτέ σε τροποποιήσεις με τον κινητήρα σε λειτουργία.
- Μην αφήνετε ποτέ το προϊόν εκτός ορατότητας με τον κινητήρα σε λειτουργία. Να σβήνετε τον κινητήρα και να βεβαιώνετε ότι το παρελκόμενο κοπής δεν περιστρέφεται.

Ασφάλεια στην εργασία



ΠΡΟΕΙΔΟΠΟΙΗΣΗ: Προτού χρησιμοποιήσετε το προϊόν, διαβάστε τις παρακάτω προειδοποιητικές οδηγίες.

- Να χρησιμοποιείτε το προϊόν μόνο για την κοπή χόρτου γκαζόν. Δεν επιτρέπεται η χρήση του για άλλες εργασίες.
- Χρησιμοποιείτε ατομικό προστατευτικό εξοπλισμό. Ανατρέξτε στην ενότητα *Προσωπικός εξοπλισμός προστασίας στη σελίδα 80*.

Οδηγίες ασφαλείας για τη λειτουργία

Προσωπικός εξοπλισμός προστασίας



ΠΡΟΕΙΔΟΠΟΙΗΣΗ: Προτού χρησιμοποιήσετε το προϊόν, διαβάστε τις παρακάτω προειδοποιητικές οδηγίες.

- Ο προσωπικός εξοπλισμός προστασίας δεν μπορεί να εξαλείψει τον κίνδυνο τραυματισμών, ωστόσο μειώνει τη σοβαρότητά τους σε περίπτωση ατυχήματος. Ο αντιπρόσωπος θα σας βοηθήσει να επιλέξετε το σωστό εξοπλισμό.
- Να χρησιμοποιείτε προστατευτικά ακοής, εάν το επίπεδο θορύβου είναι υψηλότερο από 85 dB.
- Να χρησιμοποιείτε αντιολισθητικές μπότες ή παπούτσια βαρέος τύπου. Να μην χρησιμοποιείτε το προϊόν με ανοιχτά παπούτσια ή ξυπόλυτοι.
- Χρησιμοποιήστε χοντρά, μακριά παντελόνια.
- Όταν χρειάζεται, να χρησιμοποιείτε προστατευτικά γάντια, για παράδειγμα κατά την τοποθέτηση, την επιθεώρηση ή τον καθαρισμό του εξοπλισμού κοπής.

Συσκευές ασφαλείας στο προϊόν



ΠΡΟΕΙΔΟΠΟΙΗΣΗ: Προτού χρησιμοποιήσετε το προϊόν, διαβάστε τις παρακάτω προειδοποιητικές οδηγίες.

- Μην χρησιμοποιείτε το προϊόν με συσκευές ασφαλείας που έχουν υποστεί ζημιά ή δεν λειτουργούν σωστά.
- Πρέπει να κάνετε τακτικά έλεγχο των συσκευών ασφαλείας. Εάν οι συσκευές ασφαλείας έχουν υποστεί ζημιά ή δεν λειτουργούν σωστά, απευθυνθείτε στον αντιπρόσωπο σέρβις της Husqvarna.
- Μην κάνετε τροποποιήσεις στις συσκευές ασφαλείας.

Για τον έλεγχο του καλύμματος κοπής

Το κάλυμμα κοπής μειώνει τους κραδασμούς στο προϊόν και μειώνεται ο κίνδυνος τραυματισμού από τη λεπίδα.

- Εξετάστε το κάλυμμα κοπής για να βεβαιωθείτε ότι δεν υπάρχουν φθορές όπως ρωγμές.

Για τον έλεγχο του προστατευτικού ιμάντα

Το προστατευτικό ιμάντα μειώνει τον κίνδυνο τραυματισμού και αποτρέπει την εκκίνηση ενός σπασμένου ιμάντα μετάδοσης κίνησης.

- Βεβαιωθείτε ότι το προστατευτικό ιμάντα δεν έχει υποστεί ζημιές και ότι έχει τοποθετηθεί σωστά. (Εικ. 15)

Λαβή φρένου κινητήρα

Η λαβή του φρένου κινητήρα σταματάει τον κινητήρα. Όταν απελευθερωθεί η λαβή του φρένου κινητήρα, ο κινητήρας σταματάει.

Για να γίνει επιθεώρηση του φρένου κινητήρα, εκκινήστε τον κινητήρα και στη συνέχεια απελευθερώστε τη λαβή του φρένου κινητήρα. Αν ο κινητήρας δεν σταματά σε 3 δευτερόλεπτα, αναθέστε τη ρύθμιση του φρένου κινητήρα σε έναν εγκεκριμένο αντιπρόσωπο σέρβις Husqvarna.

(Εικ. 16)

Για τον έλεγχο του συστήματος απόσβεσης κραδασμών



ΠΡΟΕΙΔΟΠΟΙΗΣΗ: Η υπερέκθεση σε κραδασμούς μπορεί να προκαλέσει πρόβλημα στο κυκλοφορικό ή νευρικό σύστημα σε άτομα με κακή κυκλοφορία του αίματος. Εάν αισθανθείτε ότι έχετε συμπτώματα υπερέκθεσης σε κραδασμούς, ζητήστε ιατρική βοήθεια. Αυτά τα συμπτώματα περιλαμβάνουν μούδιασμα, απώλεια αισθήσεων, τσιμπήματα, σουβλιές, πόνο, μυϊκή ατονία και αλλαγές στο χρώμα ή την κατάσταση του δέρματος. Τα συμπτώματα αυτά συνήθως εμφανίζονται στα δάχτυλα, τις παλάμες ή τους καρπούς.

Το σύστημα απόσβεσης κραδασμών μειώνει τους κραδασμούς στη λαβή κατά τη λειτουργία.

Ο χαλύβδινος σωλήνας στη χειρολαβή και το κάλυμμα κοπής μειώνουν τους κραδασμούς. Επίσης, το KLIPPO LB 548Sq διαθέτει 4 μονάδες απόσβεσης κραδασμών στη χειρολαβή.

- Ελέγξτε τη χειρολαβή και τις μονάδες απόσβεσης κραδασμών, για να βεβαιωθείτε ότι δεν έχουν ζημιές. (Εικ. 17)

Στήριγμα λεπίδας

Το στήριγμα της λεπίδας μειώνει τον κίνδυνο λυγίσματος του άξονα του κινητήρα. Αν η λεπίδα χτυπήσει σε κάποιο αντικείμενο, μετακινείται προς το στήριγμά της. Η μετακίνηση προκαλεί φθορά στην επιφάνεια του στήριγματος της λεπίδας. Η φθορά υποδεικνύει ότι το προστατευτικό του άξονα του κινητήρα λειτουργεί σωστά.

Σιγαστήρας

Ο σιγαστήρας διατηρεί τα επίπεδα θορύβου στο ελάχιστο και κατευθύνει τις αναθυμιάσεις της εξάτμισης μακριά από τον χειριστή.

Μην χρησιμοποιείτε το προϊόν, αν ο σιγαστήρας λείπει ή έχει καταστραφεί. Ο κατεστραμμένος σιγαστήρας αυξάνει το επίπεδο θορύβου και τον κίνδυνο φωτιάς.



ΠΡΟΕΙΔΟΠΟΙΗΣΗ: Ο σιγαστήρας θερμαίνεται πολύ κατά τη διάρκεια της χρήσης και παραμένει θερμός μετά τη χρήση, καθώς και όταν ο κινητήρας λειτουργεί στο ρελαντί. Προσέχετε όταν κινείστε κοντά σε εύφλεκτα υλικά ή/και

αναθυμιάσεις, για να αποφύγετε την εκδήλωση πυρκαγιάς.

Έλεγχος της εξάτμισης (σιγαστήρας)

- Πρέπει να εξετάζετε την εξάτμιση (το σιγαστήρα) τακτικά, για να βεβαιωθείτε ότι είναι σωστά συνδεδεμένη και δεν έχει υποστεί ζημιά.

Ασφάλεια καυσίμου



ΠΡΟΕΙΔΟΠΟΙΗΣΗ: Προτού χρησιμοποιήσετε το προϊόν, διαβάστε τις παρακάτω προειδοποιητικές οδηγίες.

- Μην θέτετε το προϊόν σε λειτουργία, εάν υπάρχει καύσιμο ή λάδι κινητήρα στο προϊόν. Αφαιρέστε το ανεπιθύμητο καύσιμο/λάδι και αφήστε το προϊόν να στεγνώσει.
- Εάν χύσετε καύσιμο στα ρούχα σας, αλλάξτε τα αμέσως.
- Μην χύσετε καύσιμο στο σώμα σας, καθώς μπορεί να προκληθεί τραυματισμός. Αν χύσετε καύσιμο στο σώμα σας, χρησιμοποιήστε σαπούνι και νερό για να αφαιρέσετε το καύσιμο.
- Μην θέσετε το προϊόν σε λειτουργία, εάν ο κινητήρας έχει διαρροή. Εξετάζετε τακτικά τον κινητήρα για διαρροές.
- Να είστε προσεκτικοί με το καύσιμο. Το καύσιμο είναι εύφλεκτο και οι αναθυμιάσεις είναι εκρηκτικές και μπορούν να προκαλέσουν τραυματισμό ή θάνατο.
- Μην εισπνεύσετε τις αναθυμιάσεις καυσίμου, καθώς μπορεί να προκληθεί τραυματισμός. Βεβαιωθείτε ότι υπάρχει επαρκής ροή αέρα.
- Μην καπνίζετε κοντά στο καύσιμο ή τον κινητήρα.
- Μην τοποθετείτε ζεστά αντικείμενα κοντά στο καύσιμο ή τον κινητήρα.
- Μην προσθέτετε καύσιμο όταν λειτουργεί ο κινητήρας.
- Βεβαιωθείτε ότι ο κινητήρας έχει κρυώσει πριν από τον ανεφοδιασμό.
- Πριν από τον ανεφοδιασμό, ανοίξτε αργά την τάπα του νεπεόζιτου καυσίμου και εκτονώστε προσεκτικά την πίεση.
- Μην προσθέτετε καύσιμο στον κινητήρα σε εσωτερικό χώρο. Η ανεπαρκής ροή αέρα μπορεί να προκαλέσει τραυματισμό ή θάνατο λόγω ασφυξίας ή μονοξειδίου του άνθρακα.

- Να σφίγγετε πλήρως την τάπα του νεπεόζιτου καυσίμου. Αν η τάπα του νεπεόζιτου καυσίμου δεν είναι σφιγμένη, υπάρχει κίνδυνος πυρκαγιάς.
- Πριν από την εκκίνηση, μετακινήστε το προϊόν σε απόσταση τουλάχιστον 3 m /10 ft από το σημείο όπου γεμίσατε το νεπεόζιτο.
- Μην γεμίζετε ποτέ εντελώς το νεπεόζιτο καυσίμου. Η υψηλή θερμοκρασία προκαλεί διαστολή του καυσίμου. Αφήντε κενό στο επάνω μέρος του νεπεόζιτου.

Οδηγίες ασφαλείας για τη συντήρηση



ΠΡΟΕΙΔΟΠΟΙΗΣΗ: Προτού χρησιμοποιήσετε το προϊόν, διαβάστε τις παρακάτω προειδοποιητικές οδηγίες.

- Οι αναθυμιάσεις της εξάτμισης από τον κινητήρα περιέχουν μονοξείδιο του άνθρακα, ένα άοσμο, δηλητηριώδες και ιδιαίτερα επικίνδυνο αέριο. Να μην εκκινείτε τον κινητήρα σε εσωτερικούς ή κλειστούς χώρους.
- Πριν πραγματοποιήσετε συντήρηση στο προϊόν, σβήστε τον κινητήρα και αποσυνδέστε το καλώδιο ανάφλεξης από το μπουζί.
- Να χρησιμοποιείτε προστατευτικά γάντια όταν κάνετε συντήρηση του εξοπλισμού κοπής. Η λεπίδα είναι πολύ κοφτερή και μπορεί εύκολα να κοπείτε.
- Τα αξεσουάρ και οι τροποποιήσεις στο προϊόν που δεν είναι εγκεκριμένες από τον κατασκευαστή, μπορεί να προκαλέσουν σοβαρό τραυματισμό ή θάνατο. Να μην πραγματοποιείτε αλλαγές στο προϊόν. Να χρησιμοποιείτε μόνο εξαρτήματα που έχουν εγκριθεί από τον κατασκευαστή.
- Αν η συντήρηση δεν γίνεται σωστά και τακτικά, αυξάνεται ο κίνδυνος τραυματισμού και ζημιάς στο προϊόν.
- Να πραγματοποιείτε μόνο τις εργασίες συντήρησης όπως δίνονται σε αυτό το εγχειρίδιο κατόχου. Όλες οι άλλες εργασίες συντήρησης πρέπει να γίνονται από εγκεκριμένο αντιπρόσωπο σέρβις Husqvarna.
- Να αναθέτετε τη συντήρηση του προϊόντος σε έναν εγκεκριμένο αντιπρόσωπο σέρβις Husqvarna σε τακτά χρονικά διαστήματα.
- Να αντικαθιστάτε τυχόν κατεστραμμένα, φθαρμένα ή σπασμένα εξαρτήματα.

Συναρμολόγηση

Εισαγωγή



ΠΡΟΕΙΔΟΠΟΙΗΣΗ: Προτού συναρμολογήσετε το προϊόν, πρέπει να διαβάσετε και να κατανοήσετε το κεφάλαιο για την ασφάλεια.



ΠΡΟΕΙΔΟΠΟΙΗΣΗ: Αφαιρέστε το καλώδιο του μπουζί από το μπουζί πριν τη συναρμολόγηση του προϊόντος.

Συναρμολόγηση και ρύθμιση λαβής

1. Αφαιρέστε το παξιμάδι της λαβής και τη ροδέλα από την πλάκα της πάνω λαβής.
2. Τοποθετήστε την πάνω λαβή στο πάνω μέρος της κάτω λαβής.



ΠΡΟΣΟΧΗ: Βεβαιωθείτε ότι τα καλώδια δεν έχουν πιαστεί ή υποστεί ζημιά.

3. Τοποθετήστε τη ροδέλα και το παξιμάδι της λαβής. (Εικ. 18)
4. Κατά τη λειτουργία του προϊόντος κοντά σε τοίχους, γυρίστε τη λαβή στο πλάι για να επιτύχετε μια καλή θέση λειτουργίας. (Εικ. 19)
5. Γυρίστε τους τροχούς ρύθμισης στο σασί για να ρυθμίσετε τη λαβή σε κάθετη θέση. (Εικ. 20)

Συναρμολόγηση του πώματος χορτολιπάσματος (KLIPPO LB 448S, KLIPPO LB 448SQ, KLIPPO LB 548SQe)

1. Γείρετε το προϊόν προς τα πίσω με το μπουζί προς τα επάνω.
2. Τοποθετήστε τους πείρους του πώματος χορτολιπάσματος στις οπές από την εσωτερική πλευρά του καλύμματος κοπής. (Εικ. 21)
3. Βιδώστε τις βίδες του πώματος χορτολιπάσματος από την εξωτερική πλευρά του καλύμματος κοπής. (Εικ. 22)

Λειτουργία

Εισαγωγή



ΠΡΟΕΙΔΟΠΟΙΗΣΗ: Προτού χρησιμοποιήσετε το προϊόν, πρέπει να διαβάσετε και να κατανοήσετε το κεφάλαιο για την ασφάλεια.

Husqvarna Connect

Η Husqvarna Connect είναι μια δωρεάν εφαρμογή για τη φορητή συσκευή σας. Η εφαρμογή Husqvarna Connect παρέχει εκτεταμένες λειτουργίες για το προϊόν σας Husqvarna:

- Περισσότερες πληροφορίες για το προϊόν.
- Πληροφορίες και βοήθεια για τα ανταλλακτικά και το σέρβις του προϊόντος.

Για να αρχίσετε να χρησιμοποιείτε το προϊόν Husqvarna Connect

1. Κατεβάστε την εφαρμογή Husqvarna Connect στη φορητή συσκευή σας.
2. Εγγραφείτε στην εφαρμογή Husqvarna Connect.
3. Ακολουθήστε τα βήματα με τις οδηγίες που θα βρείτε στην εφαρμογή Husqvarna Connect για να συνδέσετε και να δηλώσετε το προϊόν.

Πριν χρησιμοποιήσετε το προϊόν

1. Διαβάστε το εγχειρίδιο χρήσης προσεκτικά και βεβαιωθείτε ότι έχετε κατανοήσει τις οδηγίες.
2. Εξετάστε τον εξοπλισμό κοπής για να βεβαιωθείτε ότι είναι σωστά συνδεδεμένος και ρυθμισμένος. Ανατρέξτε στην ενότητα *Για να ελέγξετε τον εξοπλισμό κοπής στη σελίδα 85*.
3. Γεμίστε το ντεπόζιτο καυσίμου. Ανατρέξτε στην ενότητα *Ανεφοδιασμός με καύσιμο στη σελίδα 82*.

4. Γεμίστε το ντεπόζιτο λαδιού και κάντε έναν έλεγχο της στάθμης λαδιού. Ανατρέξτε στην ενότητα *Έλεγχος της στάθμης λαδιού στη σελίδα 86*.

Ανεφοδιασμός με καύσιμο

Αν υπάρχει διαθέσιμη, χρησιμοποιήστε βενζίνη χαμηλής εκπομπής καυσαερίων/χαμηλής αλκυλίωσης. Σε περίπτωση που δεν είναι διαθέσιμη βενζίνη χαμηλών εκπομπών/αλκυλίωσης, χρησιμοποιήστε καλής ποιότητας αμόλυβδη βενζίνη ή βενζίνη με μόλυβδο με αριθμό οκτανίων όχι μικρότερο από 90.



ΠΡΟΣΟΧΗ: Μην χρησιμοποιείτε βενζίνη με αριθμό οκτανίων κάτω από 90 RON (87 AKI). Μπορεί να προκληθεί ζημιά στο προϊόν.

1. Ανοίξτε αργά την τάπα του ντεπόζιτου καυσίμου για να εκτονώσετε την πίεση.
2. Γεμίστε αργά με ένα δοχείο καυσίμων. Αν χύσετε καύσιμο, καθαρίστε το με ένα πανί και αφήστε το καύσιμο που απομένει να στεγνώσει. (Εικ. 23)
3. Καθαρίστε την περιοχή γύρω από την τάπα του ντεπόζιτου καυσίμου.
4. Να σφίγγετε πλήρως την τάπα του ντεπόζιτου καυσίμου. Αν η τάπα του ντεπόζιτου καυσίμου δεν είναι σφιγμένη, υπάρχει κίνδυνος πυρκαγιάς.
5. Πριν από την εκκίνηση, μετακινήστε το προϊόν σε απόσταση τουλάχιστον 3 m (10 ft) από το σημείο όπου γεμίσατε το ντεπόζιτο.

Ρύθμιση του ύψους κοπής

Το ύψος κοπής μπορεί να ρυθμιστεί σε 6 διαφορετικές θέσεις.

1. Μετακινήστε τον μοχλό ύψους κοπής προς τα εμπρός για να αυξήσετε το ύψος κοπής.

2. Μετακινήστε τον μοχλό ύψους κοπής προς τα πίσω για να μειώσετε το ύψος κοπής.



ΠΡΟΣΟΧΗ: Μην ρυθμίζετε το ύψος κοπής πολύ χαμηλά. Οι λεπίδες μπορεί να χτυπήσουν στο έδαφος αν η επιφάνεια του γλοοστάπητα δεν είναι επίπεδη.

Εκκίνηση του προϊόντος

1. Βεβαιωθείτε ότι το καλώδιο ανάφλεξης είναι συνδεδεμένο στο μπουζί.
2. Ανοίξτε τη βαλβίδα καυσίμου. (Εικ. 24)
3. Να παραμένετε πίσω από το προϊόν.
4. Κρατήστε τη λαβή του φρένου κινητήρα προς τη χειρολαβή. (Εικ. 25)
5. Πιάστε τη λαβή του κορδονιού εκκίνησης με το δεξί σας χέρι.
6. Τραβήξτε αργά έξω το κορδόνι της μίζας μέχρι να αισθανθείτε κάποια αντίσταση.
7. Τραβήξτε δυνατά για να εκκινήσει ο κινητήρας.



ΠΡΟΕΙΔΟΠΟΙΗΣΗ: Μην τυλίγετε ποτέ το σχοινί της τροχαλίας του συστήματος εκκίνησης γύρω από το χέρι σας.



ΠΡΟΣΟΧΗ: Μην τεντώνετε εντελώς το σχοινί εκκίνησης. Μην αφήνετε τη λαβή του σχοινού εκκίνησης όταν είναι τεντωμένο.

Χρήση της κίνησης στους τροχούς

- Σπρώξτε τον λεβιέ μετάδοσης κίνησης προς τα κάτω. (Εικ. 26)
- Προτού τραβήξετε το προϊόν προς τα πίσω, αποσυνδέστε τον μηχανισμό μετάδοσης κίνησης και σπρώξτε το προϊόν προς τα εμπρός κατά περίπου 10εκ.

- Απελευθερώστε ελαφρώς τη λαβή του φρένου κινητήρα για να αποσυνμπλέξετε το σύστημα μετάδοσης κίνησης, όταν βρίσκεστε π.χ. κοντά σε κάποιο εμπόδιο.

Απενεργοποίηση προϊόντος

- Για να απενεργοποιήσετε μόνο το σύστημα μετάδοσης κίνησης, απελευθερώστε ελαφρώς τη λαβή του φρένου κινητήρα.
- Για να απενεργοποιήσετε τον κινητήρα, απελευθερώστε πλήρως τη λαβή του φρένου κινητήρα.
- Κλείστε τη βαλβίδα καυσίμου. (Εικ. 27)

Για ένα καλό αποτέλεσμα

- Να χρησιμοποιείτε πάντα μια ακονισμένη λεπίδα. Η στομωμένη λεπίδα δίνει ένα ακανόνιστο αποτέλεσμα και η επιφάνεια κοπής του γρασιδιού γίνεται κίτρινη. Επίσης, η ακονισμένη λεπίδα χρησιμοποιεί λιγότερη ενέργεια από μια στομωμένη λεπίδα.
- Να μην κόβετε ποτέ πάνω από το 1/3 του μήκους του γρασιδιού. Να κόβετε πρώτα με το ύψος κοπής ρυθμισμένο σε υψηλό. Εξετάστε το αποτέλεσμα και χαμηλώστε το ύψος κοπής σε κατάλληλο επίπεδο. Αν το γρασίδι είναι πολύ μακρύ, οδηγήστε αργά και κόψτε 2 φορές, αν είναι απαραίτητο.
- Να κόβετε κάθε φορά σε διαφορετικές κατευθύνσεις για να αποφεύγετε τις ρίγες στο γκαζόν.
- Διατηρείτε το κάλυμμα κοπής καθαρό. Η συσσώρευση γρασιδιού και ακαθαρσιών στην εσωτερική πλευρά του καλύμματος κοπής μπορεί να μειώσει το αποτέλεσμα κοπής. Ανατρέξτε στην ενότητα *Για να καθαρίσετε εξωτερικά το προϊόν στη σελίδα 84.*

Συντήρηση

Εισαγωγή



ΠΡΟΕΙΔΟΠΟΙΗΣΗ: Προτού εκτελέσετε εργασίες συντήρησης, πρέπει να διαβάσετε και να κατανοήσετε το κεφάλαιο για την ασφάλεια.

Για όλες τις εργασίες συντήρησης και επισκευής στο προϊόν, είναι απαραίτητη ειδική εκπαίδευση. Μπορούμε να εγγυηθούμε για τη διαθεσιμότητα των επαγγελματικών επισκευών και τη συντήρηση. Αν ο αντιπρόσωπός σας δεν είναι αντιπρόσωπος σέρβις, μιλήστε του για πληροφορίες σχετικά με τον πλησιέστερο αντιπρόσωπο σέρβις.

Για λεπτομερέστερες πληροφορίες, ανατρέξτε στη σελίδα www.husqvarna.com.

Πρόγραμμα συντήρησης

Τα διαστήματα συντήρησης υπολογίζονται με βάση την καθημερινή χρήση του προϊόντος. Τα διαστήματα αλλάζουν αν το προϊόν δεν χρησιμοποιείται καθημερινά.

Για τις εργασίες συντήρησης που επισημαίνονται με *, βλ. οδηγίες στην ενότητα *Συσκευές ασφαλείας στο προϊόν στη σελίδα 80.*

Συντήρηση	Καθημερινά	Κάθε εβδομάδα	Κάθε μήνα
Εκτέλεση γενικής επιθεώρησης	X		
Έλεγχος της στάθμης λαδιού	X		
Καθαρισμός του προϊόντος	X		
Καθαρισμός του φίλτρου αέρα	X		
Έλεγχος του εξοπλισμού κοπής	X		
Έλεγχος του καλύμματος κοπής*	X		
Έλεγχος λαβής του φρένου κινητήρα*	X		
Έλεγχος της εξάτμισης (σιγαστήρα)*		X	
Έλεγχος του μπουζί		X	
Έλεγχος ιμάντα μετάδοσης κίνησης για ζημιές			X
Καθαρισμός του περιβλήματος γραναζιών			X
Για τα KLIPPO LB 448S, KLIPPO LB 453S. Αλλαγή λαδιού (την πρώτη φορά μετά από 5 ώρες χρήσης, έπειτα μετά από κάθε 25 ώρες χρήσης ετησίως)			X
Για τα KLIPPO LB 448SQ, KLIPPO LB 453SQ, KLIPPO LB 548SQe. Αλλαγή λαδιού (την πρώτη φορά μετά από 5 ώρες χρήσης, έπειτα μετά από κάθε 100 ώρες χρήσης ετησίως)			X
Αντικαταστήστε το φίλτρο αέρα			X
Έλεγχος του συστήματος καυσίμου			X
Έλεγχος και προσαρμογή της κίνησης (ντίζα συμπλέκτη)			X

Εκτέλεση γενικής επιθεώρησης

- Βεβαιωθείτε ότι όλα τα παξιμάδια και οι βίδες πάνω στο προϊόν είναι σφιγμένα σωστά.

Για να καθαρίσετε εξωτερικά το προϊόν

- Χρησιμοποιήστε μια βούρτσα για να αφαιρέσετε φύλλα, γρασίδι και ακαθαρσίες.
- Βεβαιωθείτε ότι η εισαγωγή αέρα στο επάνω μέρος του κινητήρα δεν είναι φραγμένη.
- Μην χρησιμοποιείτε σύστημα πλύσης με υψηλή πίεση για να καθαρίσετε το προϊόν.
- Αν χρησιμοποιείτε νερό για να καθαρίσετε το προϊόν, μην ρίχνετε νερό απευθείας επάνω στον κινητήρα.

Για να καθαρίσετε την εσωτερική επιφάνεια του καλύμματος κοπής

- Τοποθετήστε το προϊόν στο πλάι με την εξάτμιση (σιγαστήρα) προς τα κάτω.



ΠΡΟΣΟΧΗ: Αν το προϊόν τοποθετηθεί με το φίλτρο αέρα προς τα

κάτω, ο κινητήρας μπορεί να υποστεί ζημιά.

- Ξεπλύνετε την εσωτερική επιφάνεια του καλύμματος κοπής ρίχνοντας νερό προς τα κάτω με ένα λάστιχο.

Έλεγχος ιμάντα μετάδοσης κίνησης και καθαρισμός του περιβλήματος γραναζιών

- Αφαιρέστε τις 4 βίδες από το προστατευτικό ιμάντα και βγάλτε το προστατευτικό ιμάντα. (Εικ. 28)
- Ελέγξτε τον ιμάντα μετάδοσης κίνησης και την τροχαλία ιμάντα για τυχόν ζημιές.
- Χρησιμοποιήστε μια βούρτσα για να αφαιρέσετε τα φύλλα, το γρασίδι και τις ακαθαρσίες από το περίβλημα του κιβωτίου ταχυτήτων. (Εικ. 29)

Αντικατάσταση και ρύθμιση του ιμάντα μετάδοσης κίνησης

- Αφαιρέστε τις 4 βίδες από το προστατευτικό ιμάντα και βγάλτε το προστατευτικό ιμάντα. (Εικ. 28)

2. Τοποθετήστε ένα πλακέ κατασβίδι μεταξύ του καλύμματος και του τροχού στον εμπρόσθιο δεξιό τροχό του προϊόντος.
3. Γυρίστε προσεκτικά το κατασβίδι για να αφαιρέσετε το κάλυμμα.
4. Ξεβιδώστε τη βίδα του τροχού και αφαιρέστε τον τροχό. (Εικ. 30)
5. Αφαιρέστε τον ιμάντα μετάδοσης κίνησης από τις τροχαλίες ιμάντα.
6. Βεβαιωθείτε ότι οι τροχαλίες ιμάντα μετακινούνται εύκολα επάνω στον άξονα.
7. Εάν χρειάζεται, ψεκάστε με αντισκωριακό λάδι ανάμεσα και πίσω από τις τροχαλίες ιμάντα και λιπάνετε τον άξονα.
8. Τοποθετήστε έναν καινούργιο ιμάντα μετάδοσης κίνησης και στερεώστε τον σωστά στο ρουλεμάν προτού τον ρυθμίσετε. (Εικ. 31)
9. Μετακινήστε το ρουλεμάν προς τα επάνω ή προς τα κάτω για να ρυθμίσετε τον ιμάντα μετάδοσης κίνησης. (Εικ. 32)

Περιεχόμενα Ένας καινούργιος ιμάντας μετάδοσης κίνησης επιμηκύνεται μετά τη χρήση. Ρυθμίστε ξανά τον ιμάντα μετάδοσης κίνησης μετά από μερικές ώρες λειτουργίας.

10. Τοποθετήστε το προστατευτικό ιμάντα.
11. Θέστε το προϊόν σε λειτουργία για να βεβαιωθείτε ότι ο ιμάντας μετάδοσης κίνησης έχει τοποθετηθεί και ρυθμιστεί σωστά.

Αντικατάσταση και ρύθμιση κεντρικού ιμάντα

1. Αφαιρέστε τη λεπίδα.

Περιεχόμενα Αυτό το βήμα δεν είναι απαραίτητο όταν απλώς ρυθμίζετε τον κεντρικό ιμάντα.

2. Χαλαρώστε τις βίδες ρύθμισης κατά μερικές περιστροφές, αλλά μην τις αφαιρέσετε. (Εικ. 33)
3. Αντικαταστήστε τον κεντρικό ιμάντα και σφίξτε ελαφρώς τις βίδες ρύθμισης.

Περιεχόμενα Αυτό το βήμα δεν είναι απαραίτητο όταν απλώς ρυθμίζετε τον κεντρικό ιμάντα.

4. Μετακινήστε το γρανάζι προς τα εμπρός ή προς τα πίσω για να ρυθμίσετε τον κεντρικό ιμάντα. (Εικ. 34)
5. Χρησιμοποιήστε μια φορητή ζυγαριά με γάντζο για να ελέγξετε την τάνυση του κεντρικού ιμάντα. Ο ιμάντας έχει τετνωθεί σωστά όταν μπορεί να μετακινηθεί 6–10 mm στο κέντρο. Αυτό αντιστοιχεί σε τράβηγμα 3 kg. (Εικ. 35)
6. Σφίξτε εντελώς τις βίδες ρύθμισης με ροπή 3 Nm.

7. Θέστε το προϊόν σε λειτουργία για να βεβαιωθείτε ότι ο ιμάντας μετάδοσης κίνησης έχει τοποθετηθεί και ρυθμιστεί σωστά.

Για να ελέγξετε τον εξοπλισμό κοπής



ΠΡΟΕΙΔΟΠΟΙΗΣΗ: Για να αποτρέψετε ακούσια εκκίνηση, αφαιρέστε το καλώδιο ανάφλεξης από το μπουζί.



ΠΡΟΕΙΔΟΠΟΙΗΣΗ: Να χρησιμοποιείτε προστατευτικά γάντια όταν κάνετε συντήρηση του εξοπλισμού κοπής. Η λεπίδα είναι πολύ κοφτερή και μπορεί εύκολα να κοπείτε.

1. Ελέγξτε τον εξοπλισμό κοπής για ζημιές ή ρωγμές. Πρέπει πάντα να αντικαθιστάτε τον εξοπλισμό κοπής, αν έχει υποστεί ζημιά.
2. Κοιτάξτε τη λεπίδα για να δείτε εάν είναι φθαρμένη ή στομαμένη.

Περιεχόμενα Είναι απαραίτητο να ζυγοσταθμιστεί η λεπίδα μετά το ακόνισμα. Να αναθέτετε το ακόνισμα, την αντικατάσταση και τη ζυγοστάθμιση της λεπίδας σε ένα κέντρο σέρβις. Αν χτυπήσετε κάποιο εμπόδιο και σταματήσει το προϊόν, αντικαταστήστε τη φθαρμένη λεπίδα. Το κέντρο σέρβις θα αξιολογήσει αν η λεπίδα μπορεί να ακονιστεί ή πρέπει να αντικατασταθεί.

Για να αντικαταστήσετε τη λεπίδα

1. Ασφαλίστε τη λεπίδα με έναν ξύλινο τάκο. (Εικ. 36)
2. Αφαιρέστε τη βίδα της λεπίδας, τη ροδέλα του ελατηρίου και τη λεπίδα. (Εικ. 37)
3. Ελέγξτε το στήριγμα της λεπίδας και τη βίδα της λεπίδας για τυχόν ζημιές.
 - a) Αν αντικαταστήσετε τη λεπίδα ή το στήριγμα της λεπίδας, αντικαταστήστε και τη βίδα της λεπίδας, τη ροδέλα του ελατηρίου και τη ροδέλα τριβής.
4. Εξετάστε τον άξονα του κινητήρα για να βεβαιωθείτε ότι δεν είναι λυγισμένος.
5. Κατά την τοποθέτηση της καινούργιας λεπίδας, βεβαιωθείτε ότι τα λυγισμένα άκρα είναι στραμμένα προς το κάλυμμα κοπής. (Εικ. 38)
6. Τοποθετήστε τη ροδέλα τριβής και τη λεπίδα πάνω στο στήριγμα της λεπίδας. (Εικ. 39)
7. Βεβαιωθείτε ότι η λεπίδα έχει ευθυγραμμιστεί με το κέντρο του άξονα του κινητήρα. (Εικ. 40)
8. Ασφαλίστε τη λεπίδα με έναν ξύλινο τάκο. (Εικ. 41)
9. Τοποθετήστε τη ροδέλα του ελατηρίου και σφίξτε τη βίδα με ροπή 80 Nm. (Εικ. 42)
10. Περιστρέψτε τη λάμα με το χέρι και βεβαιωθείτε ότι μπορεί να περιστραφεί χωρίς προβλήματα.



ΠΡΟΕΙΔΟΠΟΙΗΣΗ: Πρέπει να χρησιμοποιείτε προστατευτικά γάντια. Η λεπίδα είναι πολύ κοφτερή και μπορεί εύκολα να κοπείτε.

11. Εκκινήστε το προϊόν για να δοκιμάσετε τη λεπίδα. Αν η λεπίδα δεν είναι σωστά συνδεδεμένη, θα υπάρχουν κραδασμοί στο προϊόν ή το αποτέλεσμα κοπής δεν θα είναι ικανοποιητικό.

Έλεγχος της στάθμης λαδιού



ΠΡΟΣΟΧΗ: Το πολύ χαμηλό επίπεδο λαδιού μπορεί να προκαλέσει βλάβη στον κινητήρα. Να κάνετε έλεγχο της στάθμης λαδιού πριν από την εκκίνηση του προϊόντος.

1. Τοποθετήστε το προϊόν σε οριζόντιο έδαφος.
2. Αφαιρέστε το καπάκι του νεπεόζιτου λαδιού με τον συνδεδεμένο δείκτη στάθμης.
3. Καθαρίστε το λάδι από τον δείκτη στάθμης.
4. Τοποθετήστε τον δείκτη στάθμης εντελώς μέσα στο νεπεόζιτο λαδιού. Σφίξτε την τάπα του δοχείου λαδιού για να βεβαιωθείτε ότι έχετε μια σωστή εικόνα της στάθμης λαδιού.
5. Αφαιρέστε τον δείκτη στάθμης.
6. Εξετάστε τη στάθμη λαδιού πάνω στον δείκτη στάθμης.
7. Αν η στάθμη του λαδιού είναι χαμηλή, συμπληρώστε με λάδι κινητήρα και ελέγξτε ξανά τη στάθμη λαδιού.

(Εικ. 43)

Περιεχόμενα Χρησιμοποιήστε ένα χωνί για να αποφύγετε τη διαρροή.

Αλλαγή του λαδιού κινητήρα



ΠΡΟΕΙΔΟΠΟΙΗΣΗ: Το λάδι του κινητήρα είναι πολύ καυτό αμέσως μετά το σβήσιμο του κινητήρα. Αφήστε τον κινητήρα να κρυώσει προτού αδειάσετε το λάδι του κινητήρα. Αν πέσει λάδι κινητήρα στο δέρμα σας, καθαρίστε το με σαπούνι και νερό.

(Εικ. 44)

1. Αφαιρέστε το καλώδιο της μίζας από το μπουζί.
2. Αφαιρέστε την τάπα του νεπεόζιτου λαδιού.
3. Αποστραγγίστε το λάδι κινητήρα.
 - a) Για μοντέλα με τάπα αποστράγγισης λαδιού: Τοποθετήστε ένα δοχείο κάτω από την τάπα αποστράγγισης λαδιού για να συλλέξετε το λάδι του κινητήρα.

- b) Για μοντέλα χωρίς τάπα αποστράγγισης λαδιού ή εάν δεν είναι δυνατή η τοποθέτηση δοχείου κάτω από την τάπα αποστράγγισης λαδιού: Χρησιμοποιήστε μια αντλία αποστράγγισης λαδιού (αξεσουάρ) για να αποστραγγίσετε το λάδι του κινητήρα από το νεπεόζιτο υδραυλικού λαδιού.

4. Γεμίστε με καινούργιο λάδι κινητήρα που έχει τον τύπο που προτείνεται στην ενότητα *Τεχνικά στοιχεία στη σελίδα 88*.
5. Ελέγξτε τη στάθμη λαδιού. Ανατρέξτε στην ενότητα *Έλεγχος της στάθμης λαδιού στη σελίδα 86*.

Φίλτρο αέρα

Περιεχόμενα Αν το φίλτρο αέρα χρησιμοποιείται για μεγάλο χρονικό διάστημα, δεν μπορεί να καθαριστεί εντελώς. Να αντικαθιστάτε το φίλτρο αέρα σε τακτά διαστήματα. Πρέπει πάντα να αντικαθιστάτε το φίλτρο αέρα, εάν έχει υποστεί ζημιά.

Αφαίρεση και τοποθέτηση του φίλτρου αέρα (KLIPPO LB 488SQ, KLIPPO LB 453SQ, KLIPPO LB 548Qe)



ΠΡΟΕΙΔΟΠΟΙΗΣΗ: Πρέπει να χρησιμοποιείτε προστατευτικά γάντια.

1. Πιέστε τα κλιπ στο κάλυμμα του φίλτρου αέρα.
2. Αφαιρέστε προσεκτικά το κάλυμμα του φίλτρου αέρα (A) από τον κινητήρα.
3. Αφαιρέστε το φίλτρο αέρα (B) και το αφρώδες φίλτρο (C). (Εικ. 45)
4. Ελέγξτε το φίλτρο αέρα για ζημιές. Αντικαταστήστε το φίλτρο αέρα, εάν έχει υποστεί ζημιά.
5. Καθαρίστε και ελέγξτε το φίλτρο αέρα. Ανατρέξτε στην ενότητα *Καθαρισμός του φίλτρου αέρα (KLIPPO LB 448SQ, KLIPPO LB 453SQ, KLIPPO LB 548Qe) στη σελίδα 86*.
6. Για την τοποθέτηση, ακολουθήστε την αντίστροφη σειρά.

Καθαρισμός του φίλτρου αέρα (KLIPPO LB 448SQ, KLIPPO LB 453SQ, KLIPPO LB 548Qe)



ΠΡΟΣΟΧΗ: Μην θέτετε σε λειτουργία τον κινητήρα εάν το φίλτρο αέρα δεν έχει τοποθετηθεί ή εάν το φίλτρο αέρα είναι βρόμικο.



ΠΡΟΣΟΧΗ: Αντικαταστήστε το φίλτρο αέρα εάν δεν μπορεί να καθαριστεί εντελώς ή αν έχει υποστεί ζημιά. Ένα φίλτρο αέρα

που έχει υποστεί ζημιά προκαλεί ζημιά στον κινητήρα.

1. Πιέστε τις γλωττίδες ασφάλισης (A), αφαιρέστε το κάλυμμα του φίλτρου αέρα (B) και βγάλτε το φίλτρο αέρα (C). (Εικ. 46)
2. Χτυπήστε το φίλτρο αέρα σε μια σκληρή επιφάνεια ή διοχετεύστε πεπιεσμένο αέρα μέσα στο φίλτρο αέρα από την καθαρή πλευρά του φίλτρου αέρα.



ΠΡΟΣΟΧΗ: Μην χρησιμοποιήσετε βούρτσα για να απομακρύνετε τη βρωμιά, καθώς με αυτόν τον τρόπο η βρομιά ωθείται μέσα στο φίλτρο αέρα.

3. Καθαρίστε τη βάση του φίλτρου αέρα (D) και το κάλυμμα του φίλτρου αέρα με ένα υγρό πανί.



ΠΡΟΣΟΧΗ: Βεβαιωθείτε ότι δεν έχει εισχωρήσει βρομιά στον αεραγωγό (E).

4. Εγκαταστήστε το φίλτρο αέρα. Βεβαιωθείτε ότι το φίλτρο αέρα εφαρμόζει ερμητικά πάνω στη βάση του.
5. Τοποθετήστε το κάλυμμα του φίλτρου αέρα φροντίζοντας να ακουμπήσουν πρώτα οι κάτω γλωττίδες.

Καθαρισμός του φίλτρου αέρα (KLIPPO LB 448S, KLIPPO LB 453S)



ΠΡΟΣΟΧΗ: Μην θέτετε σε λειτουργία τον κινητήρα εάν το φίλτρο αέρα δεν έχει τοποθετηθεί ή εάν το φίλτρο αέρα είναι βρόμικο.



ΠΡΟΣΟΧΗ: Αντικαταστήστε το φίλτρο αέρα εάν δεν μπορεί να καθαριστεί εντελώς ή αν έχει υποστεί ζημιά. Ένα φίλτρο αέρα που έχει υποστεί ζημιά προκαλεί ζημιά στον κινητήρα.

1. Πιέστε τις γλωττίδες ασφάλισης (A), αφαιρέστε το κάλυμμα του φίλτρου αέρα (B) και βγάλτε το φίλτρο αέρα (C). (Εικ. 47)
2. Χτυπήστε το φίλτρο αέρα σε μια σκληρή επιφάνεια ή διοχετεύστε πεπιεσμένο αέρα μέσα στο φίλτρο αέρα από την καθαρή πλευρά του φίλτρου αέρα.



ΠΡΟΣΟΧΗ: Μην χρησιμοποιήσετε βούρτσα για να απομακρύνετε τη βρωμιά, καθώς με αυτόν τον τρόπο η βρομιά ωθείται μέσα στο φίλτρο αέρα.

3. Καθαρίστε τη βάση του φίλτρου αέρα (D) και το κάλυμμα του φίλτρου αέρα με ένα υγρό πανί.



ΠΡΟΣΟΧΗ: Βεβαιωθείτε ότι δεν έχει εισχωρήσει βρομιά στον αεραγωγό (E).

4. Εγκαταστήστε το φίλτρο αέρα. Βεβαιωθείτε ότι το φίλτρο αέρα εφαρμόζει ερμητικά πάνω στη βάση του.
5. Τοποθετήστε το κάλυμμα του φίλτρου αέρα φροντίζοντας να ακουμπήσουν πρώτα οι κάτω γλωττίδες.

Για να εξετάσετε το μπουζί



ΠΡΟΣΟΧΗ: Χρησιμοποιείτε πάντα τον συνιστώμενο τύπο μπουζί. Η χρήση λάθος τύπου μπουζί μπορεί να προκαλέσει ζημιά στο προϊόν.

- Αν ο κινητήρας έχει χαμηλή ισχύ, δεν εκκινείται εύκολα ή δεν λειτουργεί σωστά στο ρελαντί, ελέγξτε το μπουζί.
- Για να μειώσετε τον κίνδυνο συσσώρευσης ανεπιθύμητων υλικών στα ηλεκτρόδια του μπουζί, ακολουθήστε τις παρακάτω οδηγίες:
 - a) Βεβαιωθείτε ότι οι στροφές ανά λεπτό ρελαντί έχουν ρυθμιστεί σωστά.
 - b) Βεβαιωθείτε ότι το μίγμα καυσίμου είναι σωστό.
 - c) Βεβαιωθείτε ότι το φίλτρο αέρα είναι καθαρό.
- Αν το μπουζί είναι βρόμικο, καθαρίστε το και βεβαιωθείτε ότι το διάκενο του ηλεκτροδίου είναι σωστό, ανατρέξτε στην ενότητα *Τεχνικά στοιχεία στη σελίδα 88*. (Εικ. 48)
- Αν χρειάζεται, αντικαταστήστε το μπουζί.

Για να ελέγξετε το σύστημα καυσίμου

- Ελέγξτε την τάπα του ντεπόζιτου καυσίμου και την τσιμούχα στεγανότητας της τάπας του ντεπόζιτου καυσίμου για να βεβαιωθείτε ότι δεν υπάρχουν φθορές.
- Ελέγξτε το σωλήνα καυσίμου για να βεβαιωθείτε ότι δεν υπάρχουν διαρροές. Αν ο σωλήνας καυσίμου έχει υποστεί φθορά, αναθέστε την αντικατάστασή του σε έναν αντιπρόσωπο σέρβις.

Για να ρυθμίσετε την ντίζα του συμπλέκτη

Αν νιώθετε αργή την κίνηση, είναι απαραίτητο να ρυθμίσετε την ντίζα του συμπλέκτη.

- Γυρίστε τη βίδα ρύθμισης. (Εικ. 49)

Το καλώδιο του συμπλέκτη έχει ρυθμιστεί σωστά όταν το μπρακέτο του καλωδίου συμπλέκτη έχει ευθυγραμμιστεί με το παξιμάδι.

(Εικ. 50)

Μεταφορά, αποθήκευση και απόρριψη

Μεταφορά και αποθήκευση

- Για την αποθήκευση και τη μεταφορά του προϊόντος και του καυσίμου, βεβαιωθείτε ότι δεν υπάρχουν διαρροές ή αναθυμιάσεις. Τυχόν σπινθήρες ή ακάλυπτες φλόγες, για παράδειγμα από ηλεκτρικές συσκευές ή λέβητες, μπορεί να προκαλέσουν πυρκαγιά.
- Να χρησιμοποιείτε πάντα εγκεκριμένα δοχεία για την αποθήκευση και τη μεταφορά των καυσίμων.
- Να αδειάζετε το νεπόζιτο καυσίμου πριν την αποθήκευση του προϊόντος για μεγάλο χρονικό διάστημα. Να απορρίπτετε το καύσιμο σε μια κατάλληλη τοποθεσία απόρριψης.
- Να στερεώνετε με ασφάλεια το προϊόν κατά τη μεταφορά για να αποφύγετε βλάβες και ατυχήματα.

- Να διατηρείτε το προϊόν σε μια κλειδωμένη περιοχή για να αποτρέψετε την πρόσβαση σε παιδιά ή μη εγκεκριμένα άτομα.
- Να διατηρείτε το προϊόν σε μια περιοχή στεγνή και χωρίς πάγο.

Απόρριψη

- Πρέπει να συμμορφώνεστε με τις τοπικές απαιτήσεις ανακύκλωσης και τους ισχύοντες κανονισμούς.
- Πετάξτε όλα τα χημικά, όπως το λάδι κινητήρα ή το καύσιμο, σε ένα κέντρο σέρβις ή σε μια κατάλληλη τοποθεσία απόρριψης.
- Όταν το προϊόν δεν είναι πλέον σε χρήση, στείλετε το σε έναν αντιπρόσωπο Husqvarna ή απορρίψτε το σε μια τοποθεσία ανακύκλωσης.

Τεχνικά στοιχεία

Τεχνικά στοιχεία

	KLIPPO LB 448S	KLIPPO LB 448SQ	KLIPPO LB 453S	KLIPPO LB 453SQ	KLIPPO LB 548SQe
Κινητήρας					
Μάρκα	Honda	Husqvarna	Honda	Husqvarna	Husqvarna
Μοντέλο	GCVX-145	HS 166AP	GCVx-170	HS 166AP	HS 166AP
Τύπος κινητήρα	Μονοκύλινδρος, 4-χρονος, ψύξη με εξαναγκασμένη κυκλοφορία αέρα, OHV	Μονοκύλινδρος, 4-χρονος, ψύξη με εξαναγκασμένη κυκλοφορία αέρα, OHV	Μονοκύλινδρος, 4-χρονος, ψύξη με εξαναγκασμένη κυκλοφορία αέρα, OHV	Μονοκύλινδρος, 4-χρονος, ψύξη με εξαναγκασμένη κυκλοφορία αέρα, OHV	Μονοκύλινδρος, 4-χρονος, ψύξη με εξαναγκασμένη κυκλοφορία αέρα, OHV
Κυβισμός, cm ³	145	166	166	166	166
Ταχύτητα, σ.α.λ.	2900	2900	2900	2900	2900
Ονομαστική απόδοση ισχύος κινητήρα, kW ²⁶	2,7	2,75	3,3	2,75	2,75
Σύστημα ανάφλεξης					
Μπουζί	NGK BPR5ES	Husqvarna HQT-7	NGK BPR5ES	Husqvarna HQT-7	Husqvarna HQT-7
Διάκενο ηλεκτροδίου, mm	0,7-0,8	0,7-0,8	0,7-0,8	0,7-0,8	0,7-0,8
Σύστημα καυσίμου και λίπανσης					

²⁶ Η ονομαστική ισχύς του εν λόγω κινητήρα είναι η μέση ωφέλιμη ισχύς (σε συγκεκριμένες στροφές κινητήρα) ενός τυπικού κινητήρα παραγωγής για το μοντέλο του κινητήρα μετρημένης βάσει του προτύπου SAE J1349/ISO1585. Οι κινητήρες μαζικής παραγωγής μπορεί να διαφέρουν από την τιμή αυτή. Η πραγματική ωφέλιμη απόδοση ισχύος του κινητήρα που τοποθετείται στο τελικό προϊόν εξαρτάται από την ταχύτητα λειτουργίας, τις συνθήκες του περιβάλλοντος και άλλες τιμές.

	KLIPPO LB 448S	KLIPPO LB 448SQ	KLIPPO LB 453S	KLIPPO LB 453SQ	KLIPPO LB 548SQe
Τύπος λίπανσης κινητήρα	Παφλασμός	Παφλασμός	Παφλασμός	Παφλασμός	Παφλασμός
Χωρητικότητα ντεπόζιτου καυσίμου, λίτρα	0,9	1,5	0,9	1,5	1,5
Χωρητικότητα δοχείου λαδιού, λίτρα	0,5	0,5	0,55	0,5	0,5
Λάδι κινητήρα ²⁷	Husqvarna SAE 30	Husqvarna SAE 30	Husqvarna SAE 30/SAE 10W-30	Husqvarna SAE 30/SAE 10W-30	Husqvarna SAE 30/SAE 10W-30
Βάρος					
Με κενά ντεπόζιτα, kg	30,5	32,5	33	33,5	34,5
Εκπομπές θορύβου ²⁸					
Στάθμη ηχητικής ισχύος, μετρούμενη τιμή σε dB (A)	90	93	91	94	92
Στάθμη ηχητικής ισχύος, εγγυημένη L _{WA} dB (A)	91	93	94	95	93
Στάθμες ήχου ²⁹					
Στάθμη ηχητικής πίεσης στο αυτί του χειριστή, σε dB (A)	77	79	78	81	79
Επίπεδα κραδασμών, a_{hveq} ³⁰					
Λαβή, m/s ²	4,5	4,2	5,3	6,4	4,0
Εξοπλισμός κοπής					
Ύψος κοπής, mm	30-60	30-60	30-60	30-60	30-60
Πλάτος κοπής, mm	480	480	530	530	480
Λεπίδα	Χορτολίπασμα - 48 cm 5028813-10	Χορτολίπασμα - 48 cm 5028813-10	Χορτολίπασμα - 53 cm 5028814-10	Χορτολίπασμα - 53 cm 5028814-10	Χορτολίπασμα - 48 cm 5028813-10
Σύστημα μετάδοσης κίνησης					
Ταχύτητα, km/h	4,5	4,5	4,5	4,5	4,5

²⁷ Εάν το λάδι SAE-30 χρησιμοποιείται σε θερμοκρασία χαμηλότερη από +5 °C, υπάρχει κίνδυνος να μην λιπανθεί επαρκώς ο κινητήρας. Αυτό μπορεί να προκαλέσει ζημιά στον κινητήρα. Ανατρέξτε στην ενότητα *Αλλαγή του λαδιού κινητήρα στη σελίδα 86* για το σωστό λάδι σε χαμηλές θερμοκρασίες.

²⁸ Οι εκπομπές θορύβου στο περιβάλλον μετρούνται ως ηχητική ισχύς (L_{WA}) σε συμμόρφωση με την Οδηγία 2000/14/ΕΚ.

²⁹ Στάθμη πίεσης θορύβου σύμφωνα με το πρότυπο ISO 5395. Τα καταγεγραμμένα στοιχεία για τη στάθμη πίεσης θορύβου έχουν τυπική στατιστική διασπορά (τυπική απόκλιση) 1,2 dB(A).

³⁰ Επίπεδο κραδασμών σύμφωνα με το πρότυπο ISO 5395. Τα καταγεγραμμένα στοιχεία για τη στάθμη κραδασμών έχουν τυπική στατιστική διασπορά (τυπική απόκλιση) ίση με 0,2 m/s².

Δήλωση Συμμόρφωσης

Δήλωση συμμόρφωσης ΕΕ

Εμείς, η **Husqvarna AB**, SE-561 82 Huskvarna, Σουηδία,
τηλ.: +46-36-146500, δηλώνουμε με αποκλειστική μας
ευθύνη ότι το προϊόν:

Περιγραφή	Ωθούμενο χλοοκοπτικό
Μάρκα	Husqvarna
Τύπος / Μοντέλο	KLIPPO LB 448S, KLIPPO LB 453S, KLIPPO LB 448SQ, KLIPPO LB 453SQ, KLIPPO LB 548SQe
Αναγνώριση	Αριθμοί σειράς με ημερομηνία από το 2022 και έπειτα

συμμορφώνεται πλήρως με τις ακόλουθες οδηγίες και
τους κανονισμούς της ΕΕ:

Οδηγία/Κανονισμός	Περιγραφή
2006/42/EK	"σχετικά με τα μηχανήματα"
2014/30/EE	"σχετικά με την ηλεκτρομαγνητική συμβατότητα"
2000/14/EK	"σχετικά με τις εκπομπές θορύβου στο περιβάλλον"
2011/65/EE	"σχετικά με τον περιορισμό της χρήσης ορισμένων επικίνδυνων ουσιών σε είδη ηλεκτρικού και ηλεκτρονικού εξοπλισμού"

και ότι εφαρμόζονται τα παρακάτω πρότυπα ή/και
τεχνικές προδιαγραφές: EN ISO 5395-1:2013/A1:2018,
EN ISO 5395-2:2013/A1:2016/A2:2017, EN ISO
14982:2009, EN IEC 63000:2018.

Καινοπονημένος φορέας: O 0404, RISE SMP Svensk
Maskinprovning AB, Box 4053, SE-904 03 Umeå,
Sweden. έχει πιστοποιήσει τη συμμόρφωση με
την οδηγία 2000/14/EK του Συμβουλίου, διαδικασία
αξιολόγησης συμμόρφωσης: Παράρτημα VI.

Για πληροφορίες σχετικά με τις εκπομπές θορύβου,
ανατρέξτε στην ενότητα *Τεχνικά στοιχεία στη σελίδα 88*.

Husqvarna, 2023-02-07



Claes Losdal, Διευθυντής ανάπτυξης/Προϊόντα κήπου,
Husqvarna AB

Υπεύθυνος για την τεχνική τεκμηρίωση



Contenido

Introducción.....	91	Mantenimiento.....	97
Seguridad.....	92	Transporte, almacenamiento y eliminación.....	101
Montaje.....	95	Datos técnicos.....	102
Funcionamiento.....	96	Declaración de conformidad.....	104

Introducción

Descripción del producto

El producto es un cortacésped giratorio conducido a pie que utiliza BioClip® para cortar la hierba y convertirla en fertilizante.

Uso previsto

Utilice el producto para cortar hierba. No utilice el producto para otras tareas.

Descripción del producto

(Fig. 1)

1. Manillar
2. Palanca del freno del motor
3. Palanca de control
4. Empuñadura de la cuerda de arranque
5. Tapón del depósito de aceite
6. Protección de la correa
7. Silenciador
8. Bujía
9. Protección de la correa
10. Depósito de combustible
11. Palanca de ajuste del ángulo del manillar
12. Sistema amortiguador de vibraciones
13. Ajuste del cable del embrague
14. Palanca de altura de corte
15. Válvula de combustible
16. Filtro de aire
17. Cubierta del equipo de corte
18. Arandela de presión
19. Tornillo de la cuchilla
20. Cuchilla
21. Soporte de la cuchilla
22. Tapa del triturador KLIPPO LB 448S, KLIPPO LB 448SQ, KLIPPO LB 548SQe
23. Manual de usuario

(Fig. 5)

Mantenga a las personas y animales a una distancia de seguridad respecto al área de trabajo.

(Fig. 6)

Detenga el motor y desconecte el cable de encendido antes de realizar tareas de mantenimiento o reparación.

(Fig. 7)

Advertencia: Mantenga las manos y los pies alejados de las piezas giratorias.

(Fig. 8)

Advertencia: Mantenga alejados los pies y las manos de la cuchilla cuando esté girando.

(Fig. 9)

Este producto cumple con las directivas CE vigentes.

(Fig. 10)

Este producto cumple con las directivas del Reino Unido vigentes.

(Fig. 11)

El producto cumple con las directivas vigentes de la Unión Aduanera Euroasiática. Sólo válido para KLIPPO LB 448S & KLIPPO LB 453S.

(Fig. 12)

Etiqueta de emisiones sonoras al medioambiente conforme con las directivas y normativas europeas y del Reino Unido, y con la regulación de 2017 sobre de protección del medioambiente (control de ruidos) (Protection of the Environment Operations - Noise Control) de la legislación de Nueva Gales del Sur. El nivel de potencia acústica garantizado del producto se especifica en el apartado *Datos técnicos en la página 102* y en la etiqueta.

Símbolos que aparecen en el producto

(Fig. 2)

ADVERTENCIA: Un uso negligente o erróneo puede provocar lesiones o la muerte al usuario o a otras personas.

(Fig. 3)

Lea detenidamente el manual de usuario y asegúrese de que entiende las instrucciones antes de usar la máquina.

(Fig. 4)

Tenga cuidado con los objetos que salgan despedidos o rebotados.

(Fig. 13)

Código escaneable.

Nota: Otros símbolos/etiquetas del producto hacen referencia a los requisitos legales específicos del mercado.

Etiqueta en el producto, solo para Australia y Nueva Zelanda

(Fig. 14)

Mantenga alejados las manos y los pies de la cuchilla giratoria.

Emisiones Euro V



ADVERTENCIA: La manipulación del motor anula la homologación de la UE de este producto.

Responsabilidad sobre el producto

Como se estipula en las leyes de responsabilidad del producto, no nos hacemos responsables de los daños y perjuicios causados por nuestro producto si:

- El producto se ha reparado incorrectamente.
- El producto se ha reparado con piezas que no eran del fabricante o no autorizadas por el fabricante.
- El producto tiene un accesorio que no es del fabricante o no está autorizado por este.
- El producto no se ha reparado en un centro de servicio autorizado o por un organismo homologado.

Seguridad

Definiciones de seguridad

Las advertencias, precauciones y notas se utilizan para destacar información especialmente importante del manual.



ADVERTENCIA: Indica un riesgo de lesiones o incluso de muerte del usuario o de las personas cercanas si no se respetan las instrucciones del manual.



PRECAUCIÓN: Indica un riesgo de daños en el producto, otros materiales o el área adyacente si no se respetan las instrucciones del manual.

Nota: Se usa para proporcionar más información necesaria en una situación determinada.

Instrucciones generales de seguridad



ADVERTENCIA: Lea las siguientes instrucciones de advertencia antes de utilizar el producto.

- Este producto es una herramienta peligrosa si se usa incorrectamente o si no se tiene cuidado. Puede causar lesiones graves o incluso la muerte si no siguen las instrucciones de seguridad.
- Este producto genera un campo electromagnético durante el funcionamiento. Este campo magnético puede, en determinadas circunstancias, interferir con implantes médicos activos o pasivos. Para reducir el riesgo de que se den condiciones que provocarían lesiones graves o letales, las personas que utilizan implantes médicos deben consultar con

su médico y con el fabricante del implante antes de poner en marcha este producto.

- Proceda siempre con cuidado y utilice el sentido común. Si no está seguro de cómo manejar el producto en una situación en particular, pare y consulte con su distribuidor Husqvarna antes de continuar.
- Tenga en cuenta que el usuario será el responsable de los accidentes que involucren a otras personas o a su propiedad.
- Mantenga el producto limpio. Asegúrese de que puede leer claramente las etiquetas.
- No permita que nadie utilice el producto a menos que haya leído y comprendido el contenido del manual de usuario.
- No deje que un niño maneje el producto.
- Mantenga a los niños alejados de la zona de trabajo. Debe haber presente en todo momento una persona mayor de edad responsable.
- No permita que nadie maneje el producto sin conocer las instrucciones.
- Si una persona con discapacidad física o mental usa el producto, asegúrese de supervisarla en todo momento. Debe haber presente en todo momento una persona mayor de edad responsable.
- No utilice el producto si está cansado, enfermo o si se encuentra bajo los efectos de alcohol, drogas o medicamentos. Esto tiene un efecto negativo en su visión, capacidad de reacción, coordinación y capacidad de decisión.
- No utilice un producto que esté dañado o que no funcione correctamente.
- No modifique este producto ni lo utilice si puede haber sido modificado por otras personas.
- No cambie el ajuste del régimen del motor.

Seguridad en el área de trabajo



ADVERTENCIA: Lea las siguientes instrucciones de advertencia antes de utilizar el producto.

- Retire objetos tales como ramas, palos y piedras de la zona de trabajo antes de usar el producto.
- Los objetos que chocan contra el equipo de corte pueden salir despedidos y causar daños a personas y objetos. Mantenga a las personas y los animales a una distancia de seguridad respecto al producto.
- No utilice el producto en condiciones climáticas desfavorables, como niebla, lluvia, viento fuerte, frío intenso y riesgo de relámpagos. El uso del producto en condiciones climáticas desfavorables o en entornos húmedos o mojados produce mucho cansancio. El mal tiempo puede causar condiciones peligrosas, como superficies resbaladizas.
- Preste atención a las personas, objetos y situaciones que puedan impedir el funcionamiento seguro del producto.
- Tenga cuidado con los posibles obstáculos, como raíces, piedras, ramas, hoyos y zanjas. El césped crecido puede esconder obstáculos.
- Cortar el césped en pendientes puede resultar peligroso. No utilice el producto en pendientes de más de 15°.
- Utilice el producto a lo largo de las laderas de las pendientes. No se desplace hacia arriba y hacia abajo.
- Tenga cuidado cuando se acerque a esquinas y objetos escondidos que puedan bloquear su campo de visión.

Seguridad en el trabajo



ADVERTENCIA: Lea las siguientes instrucciones de advertencia antes de utilizar el producto.

- Utilice este producto para cortar solamente césped. No está permitido utilizar el producto para otras tareas.
- Utilice el equipo de protección personal. Consulte la sección *Equipo de protección personal en la página 93*.
- Asegúrese de que saber cómo detener el motor rápidamente en caso de emergencia.
- Nunca arranque el motor en un espacio cerrado ni cerca de materiales inflamables. Los gases de escape del motor están calientes y pueden contener chispas que pueden provocar un incendio.
- No utilice el producto a menos que la cuchilla y todas las cubiertas estén fijadas correctamente. Una cuchilla fijada incorrectamente puede soltarse y provocar daños personales.
- Asegúrese de que la cuchilla no golpea ningún objeto, como piedras y raíces. Esto puede causar

daños a la cuchilla y doblar el eje del motor. Un eje doblado causa vibraciones excesivas y un riesgo muy alto de que la cuchilla se suelte.

- Si la cuchilla choca con algún objeto o si se producen vibraciones, pare el producto inmediatamente. Desconecte el cable de encendido de la bujía. Examine el producto para comprobar si presenta daños. Repare los daños o lleve el producto a un taller de servicio autorizado para realizar la reparación.
- No acople la maneta del freno del motor permanentemente al mango cuando el motor esté encendido.
- Ponga el producto en una superficie plana y estable, y arránquelo. Asegúrese de que la cuchilla no entre en contacto con el suelo u otros objetos.
- Manténgase siempre detrás del producto durante su uso.
- Mientras utilice el producto, mantenga todas las ruedas apoyadas en el suelo y las dos manos en el manillar. Mantenga alejados las manos y los pies de las cuchillas giratorias.
- No incline el producto con el motor en marcha.
- Tenga cuidado cuando tire del producto hacia atrás.
- Nunca levante el producto con el motor en marcha. Si tiene que levantar el producto, primero apague el motor y desconecte el cable de encendido de la bujía.
- No camine hacia atrás mientras utiliza el producto.
- Detenga el motor cuando se desplace por áreas sin hierba, por ejemplo, caminos de grava, piedra y asfalto.
- No corra con el producto con el motor en marcha. Camine siempre mientras utiliza el producto.
- Detenga el motor antes de cambiar la altura de corte. Nunca realice ajustes con el motor en marcha.
- No deje el producto desatendido con el motor en marcha. Pare el motor y asegúrese de que el equipo de corte no gire.

Instrucciones de seguridad para el funcionamiento

Equipo de protección personal



ADVERTENCIA: Lea las siguientes instrucciones de advertencia antes de utilizar el producto.

- El equipo de protección personal no elimina completamente el riesgo de lesiones, pero reduce la gravedad de las lesiones en caso de accidente. Deje que el distribuidor le ayude a seleccionar el equipo adecuado.
- Utilice protectores auriculares si el nivel de ruido es superior a 85 dB.
- Utilice botas o zapatos de trabajo antideslizantes. No utilice calzado abierto ni vaya descalzo.

- Utilice pantalones largos gruesos.
- Utilice guantes protectores cuando sea necesario, por ejemplo, para el montaje, inspección o limpieza del equipo de corte.

Dispositivos de seguridad en el producto



ADVERTENCIA: Lea las siguientes instrucciones de advertencia antes de utilizar el producto.

- No utilice ningún producto con dispositivos de seguridad dañados o que no funcionen correctamente.
- Realice una comprobación de los dispositivos de seguridad con frecuencia. Si los dispositivos de seguridad están dañados o no funcionan correctamente, póngase en contacto con su taller de servicio Husqvarna.
- No realice ninguna modificación en los dispositivos de seguridad.

Comprobación de la cubierta del equipo de corte

La cubierta del equipo de corte disminuye las vibraciones en el producto y el riesgo de lesiones provocadas por la cuchilla.

- Examine la cubierta de corte para asegurarse de que no haya daños como, por ejemplo, grietas.

Comprobación de la protección de la correa

La protección de la correa reduce el riesgo de lesiones y garantiza que si se rompe la correa de transmisión no saldrá disparada.

- Asegúrese de que la protección de la correa no está deteriorada y que está fijada correctamente. (Fig. 15)

Palanca del freno del motor

La maneta del freno del motor detiene el motor. Cuando se suelta la maneta del freno del motor, el motor se para.

Para realizar una inspección del freno del motor, arranque el motor y luego suelte la maneta del freno del motor. Si el motor no se detiene en 3 segundos, lleve el producto a un taller de servicio Husqvarna autorizado para realizar el ajuste del freno del motor.

(Fig. 16)

Comprobación del sistema amortiguador de vibraciones



ADVERTENCIA: La sobreexposición a las vibraciones puede provocar problemas circulatorios y daños en las terminaciones nerviosas, especialmente en personas con patologías circulatorias. Acuda a un médico si nota síntomas que puedan

relacionarse con la sobreexposición a las vibraciones. Ejemplos de estos síntomas son: entumecimiento, pérdida de sensibilidad, hormigueo, pinchazos, dolor, pérdida de fuerza, y cambios en el color o la superficie de la piel. Estos síntomas se presentan normalmente en dedos, manos y muñecas.

El sistema amortiguador de vibraciones disminuye la vibración en el manillar cuando se utiliza el producto.

El tubo de acero del manillar y la cubierta del equipo de corte están diseñados para reducir las vibraciones. KLIPPO LB 548SQe dispone también de 4 unidades de amortiguación fijadas al manillar.

- Examine el manillar y los amortiguadores de vibraciones para asegurarse de que no estén dañados. (Fig. 17)

Soporte de cuchilla

El soporte de cuchilla disminuye el riesgo de que el eje del motor se doble. Si la cuchilla golpea contra un objeto, el disco se mueve contra el soporte de la cuchilla. El movimiento produce desgaste en la superficie del soporte de la cuchilla. El desgaste muestra que la protección del eje del motor funciona correctamente.

Silenciador

El silenciador mantiene al mínimo los niveles de ruido y aparta los gases de escape del usuario.

No utilice el producto si el silenciador no está instalado o está dañado. Un silenciador dañado aumenta el nivel de ruido y el riesgo de incendio.



ADVERTENCIA: El silenciador se calienta mucho durante el uso y también cuando el motor se encuentra al ralentí. Tenga cuidado cuando se encuentre cerca de materiales o gases inflamables para evitar incendios.

Comprobación del silenciador

- Examine el silenciador con frecuencia para asegurarse de que está montado correctamente y que no está dañado.

Seguridad en el uso del combustible



ADVERTENCIA: Lea las siguientes instrucciones de advertencia antes de utilizar el producto.

- No arranque el producto si está manchado con combustible o aceite del motor. Retire el combustible/aceite no deseado y deje secar el producto.

- Si derrama combustible sobre la ropa, cámbiese inmediatamente.
- Evite el contacto con el combustible; puede provocar lesiones. Si entra en contacto con el combustible, utilice agua y jabón para eliminar el combustible.
- No arranque el motor si el producto tiene una fuga. Examine frecuentemente si hay fugas en el motor.
- Tenga cuidado con el combustible. El combustible es inflamable, sus vapores son explosivos y puede provocar lesiones o la muerte.
- No inhale los vapores de combustible, ya que pueden causar lesiones. Asegúrese de que hay ventilación suficiente.
- No fume cerca del combustible o el motor.
- No coloque objetos calientes cerca del combustible o el motor.
- No agregue el combustible con el motor encendido.
- Asegúrese de que el motor esté frío antes repostar.
- Antes de repostar, abra la tapa del depósito de combustible lentamente y deje salir el exceso de presión con cuidado.
- No añada combustible al motor en interiores. Una circulación de aire insuficiente puede causar lesiones o la muerte por asfixia o inhalación de monóxido de carbono.
- Apriete el tapón del depósito de combustible completamente. Si el tapón del depósito de combustible no se aprieta, existe riesgo de incendio.
- Antes de arrancar el producto, llévelo a 3 m (10 pies) de distancia como mínimo del punto en el que llenó el depósito.
- No llene el depósito de combustible por completo. El calor hace que el combustible se expanda. Deje espacio en la parte superior del depósito de combustible.

Instrucciones de seguridad para el mantenimiento



ADVERTENCIA: Lea las siguientes instrucciones de advertencia antes de utilizar el producto.

- Los gases de escape del motor contienen monóxido de carbono, que es un gas inodoro, tóxico y muy peligroso. No arranque el motor en interiores ni en espacios cerrados.
- Antes de realizar el mantenimiento del producto, detenga el motor y desconecte el cable de encendido de la bujía.
- Utilice guantes protectores cuando realice el mantenimiento del equipo de corte. La cuchilla está muy afilada y se pueden producir cortes con mucha facilidad.
- Los accesorios y modificaciones en el producto que no estén aprobados por el fabricante pueden causar daños graves o la muerte. No modifique el producto. Utilice siempre accesorios autorizados por el fabricante.
- Si el mantenimiento no se realiza correctamente y de forma regular, aumenta el riesgo de lesiones y daños en el producto.
- Realice únicamente las tareas de mantenimiento que se indican en este manual del propietario. Todos los demás trabajos de mantenimiento deben llevarse a cabo en un taller de servicio Husqvarna autorizado.
- Lleve el producto a un taller de servicio Husqvarna autorizado para realizar el mantenimiento de forma regular.
- Cambie las piezas dañadas, desgastadas o rotas.

Montaje

Introducción



ADVERTENCIA: Antes de montar el producto, debe leer y entender el capítulo sobre seguridad.



ADVERTENCIA: Retire el cable de la bujía antes de montar el producto.

Para montar y ajustar el manillar

1. Retire la tuerca de la empuñadura y la arandela de la placa del manillar superior.
2. Coloque la empuñadura superior en su sitio en la parte superior del mango inferior.



PRECAUCIÓN: Asegúrese de que los cables no están atrapados ni se han dañado.

3. Fije la arandela y la tuerca de la empuñadura. (Fig. 18)
4. Gire la palanca hacia un lado para una buena posición de manejo cuando utilice el producto cerca de una pared. (Fig. 19)
5. Gire las ruedas de ajuste del chasis para ajustar verticalmente el manillar. (Fig. 20)

Montaje del accesorio triturador (KLIPPO LB 448S, KLIPPO LB 448SQ, KLIPPO LB 548SQe)

1. Incline el producto hacia atrás con la bujía hacia arriba.

2. Coloque los pasadores del accesorio triturador en los orificios por la parte interior de la cubierta de corte. (Fig. 21)

3. Fije los tornillos del accesorio triturador por el lado exterior de la cubierta de corte. (Fig. 22)

Funcionamiento

Introducción



ADVERTENCIA: Antes de utilizar el producto, debe leer y entender el capítulo sobre seguridad.

Husqvarna Connect

Husqvarna Connect es una aplicación gratuita para su dispositivo móvil. La aplicación Husqvarna Connect proporciona más funciones para su producto Husqvarna:

- Información ampliada sobre el producto.
- Información y asistencia sobre piezas y mantenimiento de productos.

Para empezar a utilizar Husqvarna Connect

1. Descargue la aplicación Husqvarna Connect en su dispositivo móvil.
2. Registre una cuenta en la aplicación Husqvarna Connect.
3. Siga las instrucciones de la aplicación Husqvarna Connect para conectarse y registrar el producto.

Antes de utilizar el producto

1. Lea detenidamente el manual de usuario y asegúrese de que entiende las instrucciones.
2. Examine el equipo de corte para asegurarse de que está conectado y ajustado correctamente. Consulte *Para inspeccionar el equipo de corte en la página 99*.
3. Llene el depósito de combustible. Consulte *Repostaje de combustible en la página 96*.
4. Llene el depósito de aceite y realice una comprobación del nivel de aceite. Consulte *Comprobación del nivel de aceite en la página 99*.

Repostaje de combustible

Si es posible, utilice de gasolina de bajas emisiones/alquilatos. Si no puede utilizar gasolina de bajas emisiones/alquilatos, utilice una gasolina sin plomo o gasolina con plomo de buena calidad con un octanaje no inferior a 90.



PRECAUCIÓN: No utilice gasolina con un octanaje inferior a 90 octanos RON (87 AKI). Esto puede provocar daños en el producto.

1. Abra el tapón del depósito de combustible lentamente para liberar la presión.
2. Llene lentamente con una lata de combustible. Si derrama combustible, límpielo con un paño y deje que el combustible restante se seque. (Fig. 23)
3. Limpie la zona de alrededor del tapón del depósito de combustible.
4. Apriete el tapón del depósito de combustible completamente. Si el tapón del depósito de combustible no se aprieta, existe riesgo de incendio.
5. Antes de arrancarlo, lleve el producto a 3 m (10 pies) de distancia como mínimo del punto en el que llenó el depósito.

Para ajustar la altura de corte

La altura de corte puede ajustarse en 6 niveles.

1. Mueva la palanca de altura de corte hacia delante para aumentar la altura de corte.
2. Mueva la palanca de altura de corte hacia atrás para reducir la altura de corte.



PRECAUCIÓN: No ajuste la altura de corte demasiado baja. Las cuchillas pueden golpear el suelo si la superficie del césped no está nivelada.

Para arrancar el producto

1. Asegúrese de que el cable de encendido está conectado a la bujía.
2. Abra el paso de combustible. (Fig. 24)
3. Manténgase detrás del producto.
4. Sujete la maneta del freno del motor contra el manillar. (Fig. 25)
5. Sostenga la empuñadura de arranque con la mano derecha.
6. Tire lentamente de la cuerda de arranque hasta sentir cierta resistencia.
7. Tire con fuerza para arrancar el motor.



ADVERTENCIA: No se enrolle la cuerda de arranque alrededor de la mano.



PRECAUCIÓN: No extienda totalmente la cuerda de arranque. No suelte la empuñadura una vez extendida la cuerda de arranque.

Uso de la transmisión de las ruedas

- Empuje la palanca de control hacia abajo. (Fig. 26)
- Antes de tirar del producto hacia atrás, desacople la transmisión y empuje el producto hacia adelante aproximadamente 10 cm.
- Suelte el mango de transmisión una pequeña distancia para desacoplar la transmisión, por ejemplo, cuando se acerque a un obstáculo.

Para detener el producto

- Para detener solo la transmisión, suelte un poco el freno del motor.
- Para detener el motor, suelte del todo la maneta del freno del motor.
- Cierre el paso de combustible. (Fig. 27)

Para obtener un buen resultado

- Use siempre una cuchilla afilada. Un cuchilla roma proporciona un resultado irregular y la superficie de corte de la hierba adquiere un tono amarillo. Una cuchilla afilada también utiliza menos energía que una cuchilla roma.

- No corte más de $\frac{1}{3}$ de la longitud del césped. Corte primero con una altura de corte alta. Examine el resultado y baje la altura de corte al nivel que corresponda. Si la hierba está muy larga, vaya despacio y corte dos veces si es necesario.
- Corte en direcciones distintas cada vez para evitar crear rayas en el césped.
- Mantenga limpia la cubierta del equipo de corte. La acumulación de hierba y suciedad en el interior de esta cubierta puede reducir el resultado del corte. Consulte la sección *Para limpiar el producto externamente en la página 98*.

Mantenimiento

Introducción



ADVERTENCIA: Antes de realizar cualquier trabajo de mantenimiento, debe leer y entender el capítulo sobre seguridad.

Para todos los trabajos de mantenimiento y reparación del producto, es necesario realizar una formación especial. Husqvarna garantiza que los trabajos de mantenimiento y reparación sean realizados por profesionales. Si su distribuidor no es un taller de servicio, pídale información sobre el taller de servicio más cercano.

Para obtener información detallada, consulte www.husqvarna.com.

Programa de mantenimiento

Los intervalos de mantenimiento se calculan a partir del uso diario del producto. Los intervalos cambian si el producto no se utiliza a diario.

Para las tareas de mantenimiento identificadas con un *, consulte las instrucciones de *Dispositivos de seguridad en el producto en la página 94*.

Mantenimiento	Diario	Semanal	Mensualmente
Realice una inspección general	X		
Compruebe el nivel de aceite	X		
Limpie el producto	X		
Limpie el filtro de aire.	X		
Inspeccione el equipo de corte	X		
Inspeccione la cubierta de corte*	X		
Inspeccione la maneta del freno del motor*	X		
Inspeccione el silenciador*		X	
Inspeccione la bujía		X	

Mantenimiento	Diario	Semanal	Mensualmente
Examine la correa de transmisión en busca de daños			X
Limpie la caja de engranajes			X
Para KLIPPO LB 448S, KLIPPO LB 453S. Reponga el aceite (la primera vez a las 5 horas de uso; después, cada 25 h de uso y anualmente)			X
Para KLIPPO LB 448SQ, KLIPPO LB 453SQ, KLIPPO LB 548SQe. Reponga el aceite (la primera vez a las 5 horas de uso; después, cada 100 h de uso y anualmente)			X
Sustituya el filtro de aire.			X
Inspeccione el sistema de combustible			X
Inspeccione y ajuste la transmisión (cable de embrague)			X

Para realizar una inspección general

- Asegúrese de que todas las tuercas y los tornillos del producto estén apretados correctamente.

Para limpiar el producto externamente

- Use un cepillo para retirar las hojas, la hierba y la suciedad.
- Asegúrese de que la toma de aire de la parte superior del motor no esté obstruida.
- No utilice un equipo de limpieza a alta presión para limpiar el producto.
- Si utiliza agua para limpiar el producto, no dirija el chorro directamente sobre el motor.

Para limpiar la superficie interior de la cubierta de corte

1. Apoye el producto sobre su costado con el silenciador hacia abajo.



PRECAUCIÓN: Si el producto se pone con el filtro de aire hacia abajo, el motor puede dañarse.

2. Limpie la superficie interior de la cubierta de corte con una manguera de agua.

Para examinar la correa de transmisión y limpiar la caja de engranajes

1. Retire los 4 tornillos que hay en la protección de la correa y retire la protección de la correa. (Fig. 28)
2. Examine la correa de transmisión y la polea en busca de daños.
3. Use un cepillo para retirar las hojas, la hierba y la suciedad de la caja de engranajes. (Fig. 29)

Para sustituir y ajustar la correa de transmisión

1. Retire los 4 tornillos que hay en la protección de la correa y retire la protección de la correa. (Fig. 28)
2. Ponga un destornillador plano entre el tapacubos y la rueda, en la rueda delantera derecha del producto.
3. Gire el destornillador cuidadosamente para quitar el tapacubos.
4. Quite el tornillo de la rueda y retire la rueda. (Fig. 30)
5. Retire la correa de transmisión de las poleas de correa.
6. Asegúrese de que las poleas de correa se mueven fácilmente en el eje.
7. Si es necesario, pulverice aceite penetrante entre las poleas de correa y detrás de ellas y lubrique el eje.
8. Instale una correa de transmisión nueva y fijela correctamente a la altura del cojinete de bolas antes de ajustarla. (Fig. 31)
9. Mueva el cojinete de bolas hacia arriba o hacia abajo para ajustar la correa de transmisión. (Fig. 32)

Nota: La correa de transmisión nueva se alargará con el uso. Ajuste la correa de transmisión de nuevo después de unas horas de funcionamiento.

10. Coloque la protección de la correa.
11. Haga funcionar el producto para asegurarse de que la correa de transmisión está correctamente instalada y ajustada.

Para sustituir y ajustar la correa central

1. Desmonte la cuchilla.

Nota: Este paso no es necesario si solo va a ajustar la correa central.

- Afloje los tornillos de ajuste unas vueltas, pero sin quitarlos. (Fig. 33)
- Cambie la correa central y apriete ligeramente los tornillos de ajuste.

Nota: Este paso no es necesario si solo va a ajustar la correa central.

- Mueva la caja de engranajes hacia delante o hacia atrás para ajustar la correa central. (Fig. 34)
- Utilice una balanza de gancho para examinar la tensión de la correa central. La correa tiene la tensión correcta cuando se puede mover de 6 a 10 mm en el centro. Esto equivale a una tracción de 3 kg. (Fig. 35)
- Apriete los tornillos de ajuste a fondo a un par de 3 Nm.
- Haga funcionar el producto para asegurarse de que la correa de transmisión está correctamente instalada y ajustada.

Para inspeccionar el equipo de corte



ADVERTENCIA: Para evitar el arranque accidental, desconecte el cable de encendido de la bujía.



ADVERTENCIA: Utilice guantes protectores cuando realice el mantenimiento del equipo de corte. La cuchilla está muy afilada y se pueden producir cortes con mucha facilidad.

- Inspeccione el equipo de corte para comprobar si presenta daños o grietas. Sustituya siempre un equipo de corte dañado.
- Inspeccione la cuchilla para comprobar si está dañada o roma.

Nota: Después de afilar la cuchilla, es necesario equilibrarla. El afilado, la sustitución y el equilibrado de la cuchilla deben realizarse en un centro de servicio. Si choca con un obstáculo que haga que el producto se pare, sustituya la cuchilla dañada. Lleve el producto a un centro de servicio, donde estimarán si la cuchilla puede afilarse o debe sustituirse.

Para sustituir la cuchilla

- Bloquee la cuchilla con un bloque de madera. (Fig. 36)
- Retire el tornillo de la cuchilla, la arandela y la cuchilla. (Fig. 37)
- Inspeccione el soporte de la cuchilla y el tornillo de la cuchilla para ver si hay daños.

- Si sustituye el disco o el soporte, sustituya también el tornillo de la cuchilla, la arandela elástica y la arandela de fricción.
- Inspeccione el eje del motor para asegurarse de que no está doblado.
- Cuando instale la nueva cuchilla, asegúrese de que los extremos doblados estén orientados en dirección a la cubierta de corte. (Fig. 38)
- Coloque la arandela de fricción y la cuchilla contra el soporte de la cuchilla. (Fig. 39)
- Asegúrese de que la cuchilla se alinee con el centro del eje del motor. (Fig. 40)
- Bloquee la cuchilla con un bloque de madera. (Fig. 41)
- Coloque la arandela elástica, y apriete el tornillo a 80 Nm de par. (Fig. 42)
- Mueva la cuchilla en distintas direcciones manualmente y compruebe que gira libremente.



ADVERTENCIA: Utilice guantes protectores. La cuchilla está muy afilada y se pueden producir cortes con mucha facilidad.

- Arranque el producto para hacer una prueba de la cuchilla. Si la cuchilla no está correctamente fijada, se produce una vibración en el producto o el resultado de corte no es satisfactorio.

Comprobación del nivel de aceite



PRECAUCIÓN: Un nivel de aceite demasiado bajo puede causar daños en el motor. Compruebe el nivel de aceite antes de arrancar el producto.

- Coloque el producto sobre una superficie nivelada.
- Retire el tapón del depósito de aceite con la varilla de nivel acoplada.
- Limpie el aceite de la varilla de nivel de aceite.
- Coloque la varilla de nivel totalmente en el interior del depósito de aceite. Apriete el tapón del depósito de aceite para asegurarse de que se obtiene una imagen correcta del nivel de aceite.
- Extraiga la varilla de nivel.
- Compruebe el nivel de aceite que indica la varilla.
- Si el nivel de aceite es bajo, rellene el depósito con aceite de motor y vuelva a comprobar el nivel.

(Fig. 43)

Nota: Utilice un embudo para evitar derrames.

Sustitución del aceite del motor



ADVERTENCIA: El aceite del motor está muy caliente inmediatamente después de apagar el motor. Deje que el motor se enfríe antes de vaciar el aceite del motor. Si derrama aceite del motor y entra en contacto con la piel, lávese con agua y jabón.

(Fig. 44)

1. Quite el cable de encendido de la bujía.
2. Retire el tapón del depósito de aceite.
3. Extraiga el aceite del motor.
 - a) En modelos con tapón de drenaje de aceite: Coloque un recipiente debajo del producto para recoger el aceite del motor.
 - b) En modelos sin tapón de drenaje de aceite o si no es posible colocar un recipiente debajo del tapón de drenaje de aceite: Utilice una bomba de drenaje de aceite (accesorio) para vaciar el aceite de motor del depósito.
4. Llene el depósito con aceite de motor nuevo del tipo recomendado en *Datos técnicos en la página 102*.
5. Compruebe el nivel de aceite. Consulte *Comprobación del nivel de aceite en la página 99*.

Filtro de aire

Nota: Un filtro de aire que se haya utilizado durante mucho tiempo no se puede limpiar por completo. Sustituya el filtro de aire con regularidad. Sustituya siempre el filtro de aire si se avería.

Montaje y desmontaje del filtro de aire (KLIPPO LB 488SQ, KLIPPO LB 453SQ, KLIPPO LB 548Qe)



ADVERTENCIA: Utilice guantes protectores.

1. Presione las fijaciones de la tapa del filtro de aire.
2. Retire con cuidado la tapa del filtro de aire (A) del motor.
3. Retire el filtro de aire (B) y el filtro de espuma (C). (Fig. 45)
4. Compruebe si el filtro de aire está dañado. Sustituya el filtro de aire si está dañado.
5. Limpie y examine el filtro de aire. Consulte *Limpieza del filtro de aire (KLIPPO LB 448SQ, KLIPPO LB 453SQ, KLIPPO LB 548Qe) en la página 100*.
6. Para el montaje, efectúe el mismo procedimiento en el orden inverso.

Limpieza del filtro de aire (KLIPPO LB 448SQ, KLIPPO LB 453SQ, KLIPPO LB 548Qe)



PRECAUCIÓN: No utilice el motor sin un filtro de aire instalado ni si el filtro de aire está sucio.



PRECAUCIÓN: Sustituya el filtro de aire si no se puede limpiar del todo o está dañado. Un filtro de aire dañado provoca daños en el motor.

1. Empuje las lengüetas (A), extraiga la cubierta del filtro de aire (B) y extraiga el filtro de aire (C). (Fig. 46)
2. Golpee el filtro de aire sobre una superficie dura o sople aire comprimido a través del filtro desde su lado limpio.



PRECAUCIÓN: No utilice un cepillo para quitar la suciedad, ya que esto puede incrustarla en el filtro de aire.

3. Limpie el soporte del filtro de aire (D) y la cubierta del filtro de aire con un trapo húmedo.



PRECAUCIÓN: Asegúrese de que no entre suciedad en el conducto de aire (E).

4. Instale el filtro de aire. Asegúrese de que el filtro de aire quede totalmente sellado contra su soporte.
5. Instale la cubierta del filtro de aire empezando por las pestañas inferiores.

Limpieza del filtro de aire (KLIPPO LB 448S, KLIPPO LB 453S)



PRECAUCIÓN: No utilice el motor sin un filtro de aire instalado ni si el filtro de aire está sucio.



PRECAUCIÓN: Sustituya el filtro de aire si no se puede limpiar del todo o está dañado. Un filtro de aire dañado provoca daños en el motor.

1. Empuje las lengüetas (A), extraiga la cubierta del filtro de aire (B) y extraiga el filtro de aire (C). (Fig. 47)
2. Golpee el filtro de aire sobre una superficie dura o sople aire comprimido a través del filtro desde su lado limpio.



PRECAUCIÓN: No utilice un cepillo para quitar la suciedad, ya que esto puede incrustarla en el filtro de aire.

3. Limpie el soporte del filtro de aire (D) y la cubierta del filtro de aire con un trapo húmedo.



PRECAUCIÓN: Asegúrese de que no entre suciedad en el conducto de aire (E).

4. Instale el filtro de aire. Asegúrese de que el filtro de aire quede totalmente sellado contra su soporte.
5. Instale la cubierta del filtro de aire empezando por las pestañas inferiores.

Para examinar la bujía



PRECAUCIÓN: Utilice siempre el tipo de bujía recomendado. El uso de un tipo de bujía incorrecto puede causar averías en el producto.

- Examine la bujía si el motor tiene baja potencia, no es fácil de arrancar o no funciona correctamente al régimen de ralentí.
- Para reducir el riesgo de material no deseado en los electrodos de la bujía, siga estas instrucciones:
 - a) Asegúrese de que el régimen de ralentí está bien ajustado.
 - b) Asegúrese de que la mezcla de combustible sea correcta.

- c) Asegúrese de que el filtro de aire esté limpio.
- Si la bujía está sucia, límpiela y asegúrese de que la distancia entre los electrodos sea la correcta, consulte *Datos técnicos en la página 102*. (Fig. 48)
 - Sustituya la bujía si fuese necesario.

Para inspeccionar el sistema de combustible

- Examine el tapón del depósito de combustible y la junta del tapón para comprobar que no presenten daños.
- Examine la manguera de combustible para asegurarse de que no haya fugas. Si la manguera de combustible está dañada, lleve el producto a un taller de servicio para sustituirla.

Para ajustar el cable de embrague

Si la transmisión funciona con lentitud, será necesario ajustar el cable de embrague.

- Gire el tornillo de ajuste. (Fig. 49)

El cable del embrague está ajustado correctamente cuando el soporte del cable del embrague queda alineado con la tuerca.

(Fig. 50)

Transporte, almacenamiento y eliminación

Transporte y almacenamiento

- Para el transporte y almacenamiento del producto y del combustible, asegúrese de que no haya fugas ni humos. Las chispas o llamas abiertas, por ejemplo, de dispositivos eléctricos o calderas, pueden producir un incendio.
- Use siempre recipientes homologados para el transporte y almacenamiento de combustible.
- Vacíe el depósito de combustible antes de poner el producto en almacenamiento durante un largo periodo de tiempo. Deseche el combustible en una ubicación adecuada para su eliminación.
- Asegure el producto durante el transporte para evitar daños y accidentes.
- Mantenga el producto en un área cerrada para impedir el acceso a niños o personas no autorizadas.

- Mantenga el producto en un lugar seco y al abrigo de las heladas.

Eliminación

- Respete los requisitos de reciclaje locales y las normas aplicables.
- Deseche todos los productos químicos, como el aceite de motor o el combustible, en un centro de servicio o una ubicación adecuada para su eliminación.
- Cuando ya no use el producto, envíelo a un distribuidor Husqvarna o deséchelo en un punto de reciclaje.

Datos técnicos

Datos técnicos

	KLIPPO LB 448S	KLIPPO LB 448SQ	KLIPPO LB 453S	KLIPPO LB 453SQ	KLIPPO LB 548SQe
Motor					
Marca	Honda	Husqvarna	Honda	Husqvarna	Husqvarna
Modelo	GCVX-145	HS 166AP	GCVx-170	HS 166AP	HS 166AP
Tipo de motor	Monocilíndrico, 4 tiempos, refrigeración forzada por aire, OHV	Monocilíndrico, 4 tiempos, refrigeración forzada por aire, OHV	Monocilíndrico, 4 tiempos, refrigeración forzada por aire, OHV	Monocilíndrico, 4 tiempos, refrigeración forzada por aire, OHV	Monocilíndrico, 4 tiempos, refrigeración forzada por aire, OHV
Cilindrada, cm ³	145	166	166	166	166
Velocidad, rpm	2900	2900	2900	2900	2900
Potencia nominal del motor, kW ³¹	2,7	2,75	3,3	2,75	2,75
Sistema de encendido					
Bujía	NGK BPR5ES	Husqvarna HQT-7	NGK BPR5ES	Husqvarna HQT-7	Husqvarna HQT-7
Distancia entre los electrodos, mm	0,7-0,8	0,7-0,8	0,7-0,8	0,7-0,8	0,7-0,8
Sistema de combustible y lubricación					
Tipo de lubricación del motor	Salpicadura	Salpicadura	Salpicadura	Salpicadura	Salpicadura
Capacidad del depósito de combustible, litros	0,9	1,5	0,9	1,5	1,5
Capacidad del depósito de aceite, litros	0,5	0,5	0,55	0,5	0,5
Aceite del motor ³²	Husqvarna SAE 30	Husqvarna SAE 30	Husqvarna SAE 30/SAE 10W-30	Husqvarna SAE 30/SAE 10W-30	Husqvarna SAE 30/SAE 10W-30
Peso					
Con los depósitos vacíos, kg	30,5	32,5	33	33,5	34,5
Emisiones de ruido³³					

³¹ La potencia nominal del motor indicada es la potencia neta media (al régimen especificado) de un motor de producción típico para el modelo de motor conforme a la norma SAE J1349/ISO1585. Los motores fabricados en serie podrían presentar valores diferentes. La potencia de salida real del motor instalado en el producto final dependerá de la velocidad de funcionamiento, las condiciones medioambientales y otros valores.

³² Si utiliza aceite SAE-30 a una temperatura inferior a +5 °C, existe el riesgo de que el motor no se lubrique correctamente. Esto puede ocasionar daños en el motor. Consulte *Sustitución del aceite del motor en la página 100* para saber cuál es el aceite correcto para temperaturas bajas.

³³ Emisiones sonoras en el entorno medidas como potencia acústica (L_{WA}) según la directiva 2000/14/CE.

	KLIPPO LB 448S	KLIPPO LB 448SQ	KLIPPO LB 453S	KLIPPO LB 453SQ	KLIPPO LB 548SQe
Nivel de potencia acústica medido, dB(A)	90	93	91	94	92
Nivel de potencia acústica garantizado L_{WA} dB(A)	91	93	94	95	93
Niveles acústicos ³⁴					
Nivel de presión sonora en el oído del usuario, dB(A)	77	79	78	81	79
Niveles de vibración, a_{hveq} ³⁵					
Manillar, m/s^2	4,5	4,2	5,3	6,4	4,0
Equipo de corte					
Altura de corte, mm	30-60	30-60	30-60	30-60	30-60
Anchura de corte, mm	480	480	530	530	480
Cuchilla	Trituración (48 cm)	Trituración (48 cm)	Trituración (53 cm)	Trituración (53 cm)	Trituración (48 cm)
	5028813-10	5028813-10	5028814-10	5028814-10	5028813-10
Transmisión					
Velocidad, km/h	4,5	4,5	4,5	4,5	4,5

³⁴ Nivel de presión sonora conforme a la norma ISO 5395. Los datos referidos del nivel de presión sonora tienen una dispersión estadística habitual (desviación típica) de 1,2 dB (A).

³⁵ Nivel de vibración conforme a la norma ISO 5395. Los datos referidos del nivel de vibración poseen una dispersión estadística habitual (desviación típica) de 0,2 m/s^2 .

Declaración de conformidad

Declaración de conformidad UE

Nosotros, **Husqvarna AB**, SE-561 82 Huskvarna (Suecia), tel. +46-36-146500, declaramos bajo nuestra exclusiva responsabilidad que el producto:

Descripción	Cortacésped
Marca	Husqvarna
Tipo/Modelo	KLIPPO LB 448S, KLIPPO LB 453S, KLIPPO LB 448SQ, KLIPPO LB 453SQ, KLIPPO LB 548SQe
Identificación	Números de serie a partir del año 2022

Cumple las siguientes directivas y normas de la UE:

Directiva/Norma	Descripción
2006/42/CE	"relativa a las máquinas"
2014/30/UE	"relativa a la compatibilidad electromagnética"
2000/14/CE	"relativa a las emisiones sonoras en el entorno"
2011/65/UE	"relativa a restricciones de utilización de determinadas sustancias peligrosas en aparatos eléctricos y electrónicos"

Y que se aplican las especificaciones técnicas o los estándares siguientes: EN ISO 5395-1:2013/A1:2018, EN ISO 5395-2:2013/A1:2016/A2:2017, EN ISO 14982:2009, EN IEC 63000:2018.

Organismo notificado: 0404, RISE SMP Svensk Maskinprovning AB, Box 4053, SE-904 03 Umeå, Sweden. ha certificado la conformidad con la Directiva del Consejo 2000/14/CE, Procedimiento de evaluación de conformidad: Anexo VI.

Para obtener información respecto a las emisiones sonoras, consulte *Datos técnicos en la página 102*.

Huskvarna, 2023-02-07



Claes Losdal, Director de desarrollo/Productos para jardín, Husqvarna AB

Responsable de la documentación técnica



Sisukord

Sissejuhatus.....	105	Hooldamine.....	110
Ohutus.....	106	Transportimine, hoiulepanek ja utiliseerimine.....	114
Kokkupanek.....	109	Tehnilised andmed.....	114
Töö.....	109	Vastavusdeklaratsioon.....	117

Sissejuhatus

Toote kirjeldus

Toode on lükatav pöörleva lõiketeraga muruniiduk, mis kasutab muru väetiseks lõikamiseks süsteemi BioClip®.

Toote tutvustus

(Joon. 1)

1. Käepide/juhtraud
2. Mootori pidurikäepide
3. Sõiduhob
4. Käivitusnööri käepide
5. Õlikork
6. Rihmakaitse
7. Summuti
8. Süüteküünl
9. Rihmakaitse
10. Kütusepaak
11. Hoob käepideme nurga reguleerimiseks
12. Vibratsioonisummutussüsteem
13. Siduritrossi regulaator
14. Lõikekõrguse hoob
15. Kütuseklapp
16. Õhufilter
17. Lõikekorpus
18. Vedruseib
19. Lõiketera polt
20. Lõiketera
21. Lõiketera tugi
22. Multšikork KLIPPO LB 448S, KLIPPO LB 448SQ, KLIPPO LB 548SQe
23. Kasutusjuhend

Sümbolid tootel

- (Joon. 2) HOIATUS! Hooletu või väär käsitlemine võib põhjustada kehavigastusi või surma kasutajale või juuresolijatele.
- (Joon. 3) Enne seadme kasutamist lugege kasutusjuhend põhjalikult läbi ja veenduge, et kõik juhised oleksid täiesti arusaadavad.
- (Joon. 4) Olge ettevaatlik – lenduvate esemete ning tagasipõrkumise oht.

Kasutusotstarve

Kasuta toodet muru pügamiseks. Ära kasuta toodet muude tööde tegemiseks.

- (Joon. 5) Teised inimesed ja loomad peavad viibima tööalast ohutus kauguses.
- (Joon. 6) Enne seadme remontimist või hooldamist seisake mootor ja eemaldage süütejuhe.
- (Joon. 7) Hoiatus! Hoidke käed ja jalad pöörlevatest osadest eemal.
- (Joon. 8) Hoiatus! Hoidke käed ja jalad pöörlevast terast eemal.
- (Joon. 9) See toode vastab kehtivatele EÜ direktiividele.
- (Joon. 10) See toode vastab kehtivatele UK direktiividele.
- (Joon. 11) See seade vastab kehtivatele Euraasia Tolliliidu direktiividele. Kehtib ainult KLIPPO LB 448S & KLIPPO LB 453S.
- (Joon. 12) Müraremissioonile viitav keskkonnasilt vastavalt ELi ja UK direktiividele ja määrustele ja Uus Lõuna-Walesi õigusaktile „Protection of the Environment Operations (Noise Control) Regulation 2017“. Toote garanteeritud helivõimsuse taseme andmed leiate jaotisest *Tehnilised andmed lk 114* ja sildil.

- (Joon. 13) Skannitav kood.

Märkus: Muud tootel olevad sümbolid/kleebised viitavad turu spetsiifilistele juriidilistele nõuetele.

Hoiatustähis seadmel, ainult Austraalias ja Uus-Meremaal.

- (Joon. 14)

Hoidke käed ja jalad pöörlevast terast eemal.

Euro V heitmed



HOIATUS: Mootori igasugune modifitseerimine, muutmine või rikkumine tühistab toote EL-i tüübikinnituse.

Tootevastutus

Tootevastutusseaduste alusel ei vastuta me tootest tingitud kahjustuste eest, kui:

- toodet on valesti parandatud;
- toote parandamisel on kasutatud osi, mis ei ole tootja poolt valmistatud või heaks kiidetud;
- tootel on kasutatud tarvikut, mis ei ole tootja poolt valmistatud või heaks kiidetud;
- toodet ei ole parandatud volitatud hoolduskeskuses või volitatud isiku poolt.

Ohutus

Ohutuse määratlused

Mõistetega „hoiatus“, „ettevaatus“ ja „märkus“ juhitakse tähelepanu eriti olulistele kohtadele kasutusjuhendis.



HOIATUS: Tähistab kasutusjuhendi juhiste eiramise korral kasutaja või kõrvalseisjate kehavigastuse või surmaga lõppeva õnnetuse ohtu.



ETTEVAATUST: Tähistab kasutusjuhendi juhiste eiramise korral seadme, muude esemete või läheduses asuvate objektide kahjustamise ohtu.

Märkus: Tähistab antud olukorras vajalikku lisateavet.

Üldised ohutuseeskirjad



HOIATUS: Enne toote kasutamist lugege läbi järgmised hoiatused.

- Seade on ohtlik, kui seda kasutada valesti või ettevaatamatult. Ohutuseeskirjade eiramine võib põhjustada kehavigastuse või surma.
- Toode tekitab töötades elektromagnetvälja. Teatud tingimustel võib väli häirida aktiivsete või passiivsete meditsiiniliste implantaatide tööd. Raskete või surmaga lõppevate kehavigastuste ohu vähendamiseks soovitame meditsiinilisi implantaate kasutataval inimestel pidada enne selle seadme kasutamist nõu oma arsti ja implantaadi valmistajaga.
- Olge alati ettevaatlik ja toimige arukalt. Kui te pole kindel, kuidas toodet eriolukorras kasutada, lõpetage töö ja pidage enne jätkamist nõu Husqvarna edasimüüjaga.
- Arvestage, et teiste isikute ja nende varaga seotud õnnetuste korral kannab vastutust seadme kasutaja.

- Hoidke seade puhas. Veenduge, et märgid ja tähised oleksid selgelt loetavad.
- Ärge lubage kellelgi toodet kasutada enne, kui ta on lugenud kasutusjuhendit ja selle sisu endale selgeks teinud.
- Ärge lubage lastel toodet käsitada.
- Hoidke lapsed tööalast eemal. Vastutusvõimeline täiskasvanu peab kogu aeg kasutaja juures viibima.
- Ärge lubage kasutusjuhistega mitte tutvunud isikul toodet käsitada.
- Kui seadet kasutab piiratud füüsiliste või vaimsete võimete isik, peab ta olema kogu aeg järelevalve all. Vastutusvõimeline täiskasvanu peab kogu aeg kasutaja juures viibima.
- Ärge kasutage toodet, kui olete väsinud, haige või tarvitanud alkoholi, narkootikume või ravimeid. Sellel on negatiivne mõju teie nägemisele, tähelepanuvõimele, liikumisele ja otsustamisvõimele.
- Ärge kasutage toodet, mis on kahjustatud või mis ei tööta korralikult.
- Ärge muutke seadet, nii et see ei vasta enam tehase originaalmudelile; ärge kasutage seadet, kui arvate, et seda on muutnud keegi teine.
- Ära muuda mootori kiiruse regulaatori seadistust.

Tööala ohutus



HOIATUS: Enne seadme kasutamist lugege läbi järgnevad hoiatused.

- Enne toote kasutamist eemaldage tööalalt oksad ja kivid.
- Lõikeosaga kokku puutuvad esemed võivad õhku paiskuda ning inimesi vigastada ja esemeid kahjustada. Juuresolijad ja loomad peavad viibima tootest ohutus kauguses.
- Ärge kasutage toodet halva ilmaga, näiteks udu, vihma, tugeva tuule, tugeva pakase ja pikseohtu korral. Tootet kasutamine halva ilma ning niiskete ja märgade tingimuste korral on väsitav. Halb ilm võib põhjustada ohtlikke tingimusi (nt libedaid pindu).

- Suhtuge tähelepanelikult inimestesse, esemetesse ja olukordadesse, mis võivad takistada toote ohutut kasutamist.
- Olge ettevaatlik takistuste (nt juurte, kivide, oksade, aukude ja kraavide) suhtes. Kõrge rohi võib peita takistusi.
- Muru niitmine kallakutel võib olla ohtlik. Ärge kasutage toodet alal, mille kalle ületab 15°.
- Kasutage toodet kallakul risti liikudes. Ärge liikuge üles ja alla.
- Olge ettevaatlik varjatud nurkade ja vaatevälja varjavate esemete läheduses.

Tööohutus



HOIATUS: Enne seadme kasutamist lugege läbi järgnevad hoiatused.

- Kasutage seda toodet ainult muru niitmiseks. Muude toimingute tegemiseks toodet kasutada ei tohi.
- Kasutage isikukaitsevahendeid. Vt jaotist *Isikukaitsevahendid lk 107*.
- Veenduge, et teate, kuidas hädaolukorras mootorit kiiresti seisata.
- Ärge käivitage mootorit suletud ruumis ega tuleohtlike materjalide lähedal. Mootori heitgaasid on kuumad ja võivad sisaldada sädemeid, mis võivad tekitada tulekahju.
- Ärge kasutage toodet enne, kui lõiketera ja katted on õigesti kinnitatud. Valesti kinnitatud lõiketera võib lahti tulla ja inimesi vigastada.
- Veenduge, et lõiketera ei puutuks kokku esemetega (nt kivide ja juurtega). See võib lõiketera kahjustada ja põhjustada mootori võlli väändumist. Paindega telg põhjustab tugevat vibratsiooni ja suurt lõiketera lahtitulemise ohtu.
- Kui lõiketera puutub kokku mõne esemega või esineb vibratsioon, peatage toode viivitamatult. Lahutage süüteküünlä süütejuhe. Kontrollige toodet kahjustuste suhtes. Parandage kahjustused või laske toodet remontida volitatud hooldustöökohas.
- Kui mootor töötab, ärge kinnitage mootori pidurikäepidet käepidemele jäädavalt.
- Asetage toode stabiilsele ja tasasele pinnale ning käivitage see. Veenduge, et lõiketera ei puutuks vastu maad ega muid esemeid.
- Olge toote kasutamisel alati toote taga.
- Tootet kasutamisel hoidke mõlema käega käepidemest ja kõik toote rattad maas. Hoidke käed ja jalad liikuvatest teradest eemal.
- Kui mootor on käivitatud, ärge kallutage toodet.
- Olge toote tagasisuunas tõmbamisel ettevaatlik.
- Kui mootor on käivitatud, ärge tõstke toodet. Kui teil on vaja toodet tõsta, seisake esmalt mootor ja lahutage süütejuhe süüteküünläst.
- Ärge kõndige toote kasutamise ajal tagurpidi.
- Seisake mootor, kui liigute alal, kus pole muru, näiteks kruusast, kivist ja asfaldist teedel.

- Ärge lükake toodet joostes, kui mootor on käivitatud. Tootet kasutamise ajal kõndige.
- Enne lõikamiskõrguse muutmist seisake mootor. Ärge tehke seadistusi, kui mootor töötab.
- Ärge laske toodet silmist, kui mootor töötab. Seisake mootor ja veenduge, et lõikeosa ei pöörleks.

Ohutusjuhised kasutamisel

Isikukaitsevahendid



HOIATUS: Enne seadme kasutamist lugege läbi järgnevad hoiatused.

- Isikukaitsevarustus ei välista täielikult kehavigastuste ohtu, kuid vähendab õnnetusjuhtumi korral kehavigastuste raskusastet. Õige varustuse valimiseks pöörduge edasimüüja poole.
- Kui müratase ületab 85 dB, kandke kuulmiskaitseid.
- Kandke vastupidavaid saapaid või jalatseid, mis on libisemiskindlad. Ärge kandke avatud jalatseid ega olge paljajalu.
- Kandke tugevaid pikki pükse.
- Vajaduse korral kandke kaitsekindaid, näiteks lõikeosa kinnitades, kontrollides või puhastades.

Toote ohutusseadised



HOIATUS: Enne toote kasutamist lugege läbi järgmised hoiatused.

- Ärge kasutage toodet, mille ohutusseadmed on kahjustatud või ei tööta korralikult.
- Kontrollige ohutusseadiseid regulaarselt. Kui ohutusseadmed on kahjustatud või ei tööta korralikult, pöörduge Husqvarnahooldustöökoha poole.
- Ärge muutke ohutusseadmeid.

Lõikeosa katte kontrollimine

Lõikeosa kate vähendab toote vibratsiooni ja lõiketerast tingitud vigastuste ohtu.

- Kontrollige lõikeosa kahjustuste (nt pragude) suhtes.

Rihmakaitse kontrollimine

Rihmakaitse vähendab vigastuste ohtu ja tagab, et purunenud veorihm ei paiskuks välja.

- Kontrollige, et rihmakaitse oleks terve ja õigesti paigaldatud. (Joon. 15)

Mootori pidurikäepide

Mootori pidurikäepideme abil saab mootori seisata. Mootori pidurikäepideme vabastamisel mootor seiskub.

Mootoripiduri kontrollimiseks käivitage mootor ja vabastage mootorpiduri käepide. Kui mootor kolme

sekundi jooksul ei seisku, laste mootorpidurit reguleerida Husqvarna volitatud hooldustöökojas.

(Joon. 16)

Vibratsioonisummutussüsteemi kontrollimine



HOIATUS: Liigne kokkupuude tugeva vibratsiooniga võib vereringehäiretega inimestel põhjustada vereringe- või närvikahjustusi. Pöörduge arsti poole, kui ilmneb nähte, mis võivad olla vibratsioonist põhjustatud. Sellisteks nähtudeks on näiteks tundetus, surin, torkiv tunne, valu, nõrkus, muutused nahavärvis või naha seisukorras. Nimetatud nähtused esinevad tavaliselt sõrmedes, käelabades ja randmetes.

Vibratsioonisummutussüsteem vähendab juhtraua vibratsiooni töötamise ajal.

Juhtraua raudtoru ja lõikeosa kate on vibratsiooni vähendava konstruktsiooniga. Mudelil KLIPPO LB 548SQe on juhtrauale paigaldatud veel 4 vibratsioonisummutusseadist.

- Kontrollige, et juhtraual ja vibratsioonisummutusseadistel poleks kahjustusi. (Joon. 17)

Lõiketera tugi

Lõiketera tugi vähendab mootori võlli väändumise ohtu. Kui lõiketera tabab mõnda objekti, liigub lõiketera vastu lõiketera tuge. See liikumine kulutab lõiketera toe pinda. Kulumine näitab, et mootori võlli kaitse töötab õigesti.

Summuti

Summuti ülesandeks on hoida müratase võimalikult madalal ja suunata mootori heitgaasid kasutajast eemale.

Ärge kasutage toodet, kui summuti puudub või on kahjustatud. Kahjustatud summuti tõstab mürataset ja suurendab tulekahju ohtu.



HOIATUS: Seadme töötamise ajal ja vahetult pärast töötamist ning mootori tühikäigul töötamise ajal on summuti väga kuum. Tulekahju vältimiseks olge tuleohtlike materjalide ja/või aurude läheduses väga ettevaatlik.

Summuti kontrollimine

- Kontrollige summutit regulaarselt ning veenduge, et see oleks õigesti kinnitatud ja kahjustamata.

Ohutusnõuded kütuse käsitlemisel



HOIATUS: Enne seadme kasutamist lugege läbi järgnevad hoiatused.

- Ärge käivitage toodet, kui toote pinnale on sattunud kütust või mootoriõli. Eemaldage kütus/õli toote pinnalt ja laske tootel kuivada.
- Kui kütus satub rõivastele, siis vahetage kohe riideid.
- Vältige kütuse sattumist nahale, see võib põhjustada kehavigastusi. Kui kütus satub kehale, puhastage piirkond seebi ja veega.
- Ärge käivitage toodet, kui mootor lekib. Kontrollige regulaarselt mootori lekkekindlust.
- Olge kütuse käsitlemisel ettevaatlik. Kütus on tuleohtlik ja kütuse aurud on plahvatusohtlikud ning võivad põhjustada kehavigastusi või surma.
- Ärge hingake sisse kütuseaure, see võib põhjustada kehavigastuse. Tagage piisav õhuvahetus.
- Ärge suitsetage kütuse ega mootori läheduses.
- Ärge asetage kuumi esemeid kütuse ega mootori lähedusse.
- Ärge tankige kütust, kui mootor töötab.
- Enne tankimise alustamist veenduge, et mootor oleks külm.
- Enne tankimise alustamist avage aeglaselt kütusepaagi kork ja laske survel alaneda.
- Ärge tankige mootorit siseruumis. Ebapiisav õhuvahetus võib põhjustada lämbumisest või vingugaasimürgitusest tingitud kehavigastuse või surma.
- Pingutage kütusepaagi korki korralikult. Pingutamata kütusepaagi kork põhjustab tuleohtu.
- Enne käivitamist viige toode vähemalt 3 m kaugusele kohast, kus toimus kütusepaagi täitmine.
- Ärge täitke kütusepaaki täielikult. Soojuste mõjul kütus paisub. Jätke kütusepaagi ülaserava vaba ruumi.

Ohutusjuhised hooldamisel



HOIATUS: Enne seadme kasutamist lugege läbi järgnevad hoiatused.

- Mootori heitgaasid sisaldavad vingugaasi: lõhnatud, mürgist ja väga ohtlikku gaasi. Ärge käivitage mootorit siseruumis ega suletud alal.
- Enne toote hooldamist seisake mootor ja eemaldage süüteküünlaga süütejühe.
- Lõikeosa hooldamisel kandke kaitsekindaid. Lõiketera on väga terav ja võib kergesti põhjustada lõikevigastusi.
- Tootja heakskiiduta tarvikud ja muudatused toote juurest võivad põhjustada tõsiseid kehavigastusi või surma. Ärge muutke toodet. Kasutage tootja heakskiidetud tarvikuid.

- Kui toodet regulaarselt ja õigesti ei hooldata, suureneb oht, et toode saab kahjustada ja võib kedagi vigastada.
- Hooldage toodet ainult selle kasutusjuhendi järgi. Muid hooldustöid tuleb lasta teha Husqvarna heakskiiduga hooldustöökojas.

- Laske toodet regulaarselt hooldada Husqvarna heakskiiduga hooldustöökojas.
- Asendage kahjustatud, kulunud ja katkised osad.

Kokkupanek

Sissejuhatus



HOIATUS: Enne seadme kokkupanemist lugege põhjalikult läbi ohutust puudutav jaotis.



HOIATUS: Enne seadme kokkupanemist eemaldage süüteküünala juhe süüteküünla küljest.

Käepideme monteerimine ja reguleerimine

1. Eemaldage ülemise käepideme plaadilt käepideme mutter ja seib.
2. Seadke ülemine käepide alumise käepideme peale.



ETTEVAATUST: Veenduge, et juhtmed ei jääks kinni ega saaks kahju.

3. Paigaldage seib ja käepideme mutter. (Joon. 18)
4. Keerake käepide küljele, et saada hea tööasend seadet seinä ääres kasutades. (Joon. 19)
5. Käepideme vertikaalselt reguleerimiseks keerake raamil olevaid seadistusrahtaid. (Joon. 20)

Multšikorgi kokkupanek (KLIPPO LB 448S, KLIPPO LB 448SQ, KLIPPO LB 548SQe)

1. Kallutage seade tahapoole nii, et süüteküünal jääks ülespoole.
2. Pange multšikorgi tihvtid aukudesse löikekorpuse siseküljelt. (Joon. 21)
3. Kinnitage multšikorgi kruvid löikekorpuse välisküljelt. (Joon. 22)

Töö

Sissejuhatus



HOIATUS: Enne seadme kasutamist lugege põhjalikult läbi ohutust puudutav jaotis.

Husqvarna Connect

Husqvarna Connect on mobiilsideseadmetele mõeldud tasuta rakendus. Rakendus Husqvarna Connect annab teie Husqvarna tootele lisafunktsionaalsuse:

- Täiendav tooteteave.
- Toote osade ja hoolduse alane teave ja abi.

Toote Husqvarna Connect kasutamise alustamine

1. Laadige Husqvarna Connect rakendus oma mobiilsideseadmesse.
2. Registreeruge Husqvarna Connect rakenduses.
3. Toote ühendamiseks ja registreerimiseks järgige Husqvarna Connect rakenduse juhiseid.

Enne toote kasutamist

1. Lugege kasutusjuhend põhjalikult läbi, et kõik juhised oleksid täiesti arusaadavad.
2. Veenduge, et löikeosa oleks õigesti kinnitatud ja reguleeritud. Vt jaotist *Löikeosa kontrollimine lk 112*.
3. Täitke kütusepaak. Vt jaotist *Kütuse tankimine lk 109*.
4. Täitke õlipaak ja kontrollide õlitaset. Vt jaotist *Õlitase kontrollimine lk 112*.

Kütuse tankimine

Võimaluse korral kasutage keskkonnasäästlikku bensiini/alkülaatbensiini. Kui keskkonnasäästlik või alkülaatbensiin pole saadaval, kasutage kvaliteetset pliivaba bensiini või pliibensiini, mille oktaaniarv on vähemalt 90.



ETTEVAATUST: Ärge kasutage bensiini, mille oktaaniarv on alla 90 RON (87 AKI). See võib seadet kahjustada.

1. Surve vabastamiseks avage kütusepaagi kork aeglaselt.

- Lisage kütust aeglaselt kütusenõust. Mahavalgumise korral eemaldage osa kütust lapiga ja laske ülejäänud ära kuivada. (Joon. 23)
- Puhastage kütusepaagi korgi ümbrus.
- Pingutage kütusepaagi korki korralikult. Pingutamata kütusepaagi kork põhjustab tuleohtu.
- Enne käivitamist viige toode vähemalt 3 m kaugusele kohast, kus toimus kütusepaagi täitmine.

Lõikamiskõrguse reguleerimine

Lõikamiskõrgust saab seadistada kuuele erinevale kõrgusele.

- Lõikamiskõrguse suurendamiseks lükake lõikamiskõrguse hooba edasisuunas.
- Lõikamiskõrguse vähendamiseks tõmmake lõikamiskõrguse hooba tagasisuunas.



ETTEVAATUST: Ärge seadistage lõikamiskõrgust liiga madalaks. Kui muru pole tasane, võivad lõiketerad puutuda vastu maad.

Toote käivitamine

- Veenduge, et süütejuhe ja süüteküünel oleksid omavahel ühendatud.
- Avage kütuseklapp. (Joon. 24)
- Olge toote taga.
- Hoidke mootori pidurikäepidet juhtraua vastas. (Joon. 25)
- Hoidke starteri nõõri käepidet paremas käes.
- Tõmmake starteri nõõri väljasuunas, kuni tunnete vastujõudu.
- Tõmmake hooga, nii et mootor käivitub.



HOIATUS: Käivitusnõõri ei tohi kerida käe ümber.

Hooldamine

Sissejuhatus



HOIATUS: Enne seadme hooldamist lugege põhjalikult läbi ohutust puudutav peatükk.

Seadme hooldamiseks ja remontimiseks on vaja erioskusi. Tagame asjatundliku remondi- ja hooldustöö. Kui edasimüüjal, kellelt toote ostsite, pole hooldustöökoda, küsige neilt teavet lähima hooldustöökoja kohta.



ETTEVAATUST: Ärge tõmmake käivitusnõõri täielikult välja. Ärge laske väljatõmmatud käivitusnõõri käepidet lahti.

Veo kasutamine ratastel

- Vajutage sõiduhuob alla. (Joon. 26)
- Enne seadme tagasisuunas tõmbamist vabasta vedu ja lükka seadet umbes 10 cm edasisuunas.cm.
- Veo vabastamiseks vabastage mootoripiduri käepide veidi näiteks siis, kui läheneate takistusele.

Seadme seiskamine

- Ainult veo seiskamiseks vabastage mootoripiduri käepide veidi.
- Mootori seiskamiseks vabastage mootoripiduri käepide.
- Sulgege kütuseklapp. (Joon. 27)

Hea tulemuse saavutamiseks

- Kasutage vahedat lõiketera. Nüri tera annab ebaühtlase tulemuse ja muru lõigatud osa muutub kollaseks. Terav lõiketera on nüri teraga võrreldes energiasäästlikum.
- Lõigake kuni pool muru pikkusest. Niitke kõigepealt kõrgele reguleeritud lõikamiskõrgusega. Vaadake tulemust ja seadistage lõikamiskõrgus soovitud madalamale tasemele. Kui muru on väga pikk, sõitke aeglaselt ja vajadusel niitke kaks korda.
- Niitke iga kord erinevas suunas, et ära hoida triipude tekkimist murule.
- Hoidke lõikamiskate puhtana. Lõikamiskatte siseküljele kogunevad rohuäägid ja mustus võivad lõikamise tõhusust vähendada. Vt jaotist *Toote välikorpusse puhastamine lk 111*.

Lisateavet vt www.husqvarna.com.

Hooldusgraafik

Hooldusintervallide arvutamisel on aluseks võetud seadme igapäevane kasutamine. Intervallid muutuvad, kui seadet igapäevaselt ei kasutata.

Tärniga (*) tähistatud hooldustööde kohta leiате juhised peatükist *Toote ohutusseadised lk 107*.

Hooldus	Iga päev	Iga nädal	Iga kuu
Tee üldkontroll	X		
Kontrolli õlitaset	X		
Toote puhastamine	X		
Õhufiltri puhastamine	X		
Lõikevarustuse kontrollimine	X		
Lõikekorpuse kontrollimine*	X		
Mootoripiduri käepideme kontrollimine*	X		
Summuti kontrollimine*		X	
Süüteküünlade kontrollimine		X	
Veorihma kontrollimine kahjustuste suhtes			X
Ülekande puhastamine			X
Mudeli KLIPPO LB 448S, KLIPPO LB 453S puhul. Õlivahetus (esmaltpärast 5 töötundi, seejärel iga kord 25 töötunni järel ja kord aastas)			X
Mudeli KLIPPO LB 448SQ, KLIPPO LB 453SQ, KLIPPO LB 548SQe puhul. Õlivahetus (esmaltpärast 5 töötundi, seejärel iga kord 100 töötunni järel ja kord aastas)			X
Õhufiltri vahetamine			X
Kütusesüsteemi kontrollimine			X
Veojõu (siduritrossi) kontrollimine ja reguleerimine			X

Üldülevaatuse läbiviimine

- Veenduge, et kõik toote mutrid ja kruvid oleksid korralikult kinni pingutatud.

Toote välikorpuse puhastamine

- Eemaldage lehed, muru ja pori harja abil.
- Veenduge, et mootori peal asuv õhuvõtuava oleks takistustest vaba.
- Ärge kasutage seadme puhastamiseks survepesurit.
- Kui kasutate toote puhastamiseks vett, ärge suunake vett otse mootorile.

Lõikekorpuse sisepinnapuhastamine

1. Asetage toode külili nii, et summuti jääb allapoole.



ETTEVAATUST: Kui toode on asetatud selliselt, et õhufilter jääb allapoole, võib mootor kahjustada saada.

2. Loputage lõikekorpuse sisepinda veega.

Veorihma kontrollimine ja ülekande puhastamine

1. Eemaldage 4 kruvi rihmakaitset ja eemaldage rihmakaitse. (Joon. 28)
2. Kontrollige veorihma ja rihmaratast kahjustuste suhtes.
3. Eemaldage ülekandest harjaga lehed, muru ja mustus. (Joon. 29)

Veorihma vahetamine ja reguleerimine

1. Eemaldage 4 kruvi rihmakaitset ja eemaldage rihmakaitse. (Joon. 28)
2. Lükake hariilik kruvikeeraja seadme parema esiratta ilukilbi ja ratta vahele.
3. Ilukilbi eemaldamiseks keerake kruvikeerajat ettevaatlikult.
4. Eemaldage rattapolt ja eemaldage ratas. (Joon. 30)
5. Võtke veorihm rihmaratastelt maha.
6. Veenduge, et rihmarattad liiguvad völliil vabalt.
7. Vajadusel pihustage rihmarataste vahele ja taha läbitungivat õli ning määrige völli.

8. Paigaldage uus veorihm ja kinnitage see korralikult kuullaagriga enne, kui reguleerite veorihma. (Joon. 31)
9. Veorihma reguleerimiseks liigutage kuullaagrit üles või alla. (Joon. 32)

Märkus: Uus veorihm venib kasutamise käigus pikemaks. Mõne töötundi möödudes reguleerige veorihma uuesti.

10. Kinnitage rihmakaitse.
11. Käitage seadet ja veenduge, et veorihm oleks õigesti paigaldatud ja reguleeritud.

Keskmise rihma vahetamine ja reguleerimine

1. Eemaldage lõiketera.

Märkus: See toiming pole vajalik, kui tahate keskmist rihma ainult reguleerida.

2. Keerake reguleerimiskruvid paari pöörde jagu lahti, kuid ärge eemaldage neid. (Joon. 33)
3. Vahetage keskmine rihm ja keerake reguleerimiskruvid keskmise jõuga kinni.

Märkus: See toiming pole vajalik, kui tahate keskmist rihma ainult reguleerida.

4. Keskmise rihma reguleerimiseks liigutage käiku edasi või tagasi. (Joon. 34)
5. Kasutage vedrukaalu keskmise rihma pingsuse mõõtmiseks. Rihma pingsus on õige, kui see saab liikuda 6–10 mm keskele. See võrdub umbes 3 kg tõmbejõuga. (Joon. 35)
6. Keerake reguleerimiskruvid kinni pingutusmomendiga 3 Nm.
7. Käitage seadet ja veenduge, et veorihm oleks õigesti paigaldatud ja reguleeritud.

Lõikeosa kontrollimine



HOIATUS: Tahtmatu käivitamise ärahoidmiseks eemaldage süüteküünalt süütejuhe.



HOIATUS: Lõikeosa hooldamisel kandke kaitsekindaid. Lõiketera on väga terav ja võib kergesti põhjustada lõikevigastusi.

1. Kontrollige lõikeosa kahjustuste ja mõrade suhtes. Kahjustatud lõikeosa tuleb alati välja vahetada.
2. Kontrollige, kas lõiketera on kahjustatud või nüri.

Märkus: Teritamise järel tuleb lõiketera tasakaalustada. Lõiketera teritamine, asendamine

ja tasakaalustamine usaldage hooldustehnikule. Kui toode pörkub vastu eset, mis põhjustab toote seiskumise, vahetage välja kahjustatud lõiketera. Laske hoolduskeskuses hinnata, kas tera saab teritada või tuleb see välja vahetada.

Lõiketera vahetamine

1. Lukustage lõiketera mõne puuklotsiga. (Joon. 36)
2. Eemaldage lõiketera polt, vedruseib ja lõiketera. (Joon. 37)
3. Kontrollige, et lõiketera toel ja lõiketera poldil poleks kahjustusi.
 - a) Kui vahetate lõiketera või lõiketera toe, tuleb vahetada ka lõiketera polt, vedruseib ja hõordeseib.
4. Kontrollige mootori võlli ja veenduge, et see poleks vääändunud.
5. Uue lõiketera kinnitamisel veenduge, et painutatud otsad oleks suunatud lõikekorpuse poole. (Joon. 38)
6. Pange hõordeseib ja lõiketera vastu lõiketera tuge. (Joon. 39)
7. Veenduge, et lõiketera ja mootori võlli kese oleksid kohakuti. (Joon. 40)
8. Lukustage lõiketera mõne puuklotsiga. (Joon. 41)
9. Kinnitage vedruseib ja pingutage polti momendiga 80 Nm. (Joon. 42)
10. Keerake tera käega, veendumaks, et see pöörleb vabalt.



HOIATUS: Kasutage kaitsekindaid. Lõiketera on väga terav ja võib kergesti põhjustada lõikevigastusi.

11. Tera katsetamiseks käivitage toode. Kui tera on valesti kinnitatud, siis toode vibreerib ja niitmistulemus pole rahuldav.

Õlitaseme kontrollimine



ETTEVAATUST: Liiga madal õlitase võib mootorit kahjustada. Enne toote käivitamist kontrollige õlitaset.

1. Asetage toode tasasele pinnale.
2. Eemaldage õlipaagi kork koos selle küljes oleva mõõtevardaga.
3. Puhastage mõõtevarras õlist.
4. Asetage mõõtevarras täies pikkuses õlipaaki. Keerake õlipaagi kork tugevasti kinni, et saada õlitasemest õige ülevaade.
5. Eemaldage mõõtevarras.
6. Vaadake mõõtevardalt õlitaset.

7. Kui õlitase on madal, lisage mootoriõli ja kontrollige õlitaset uuesti.

(Joon. 43)

Märkus: Kasutage mahaminemise vältimiseks lehrtrit.

Mootoriõli vahetamine



HOIATUS: Vahetult pärast mootori seiskumist on mootoriõli väga kuum. Enne mootoriõli väljutamist laske mootoril maha jahtuda. Kui mootoriõli satub nahale, puhastage piirkond vee ja seebiga.

(Joon. 44)

1. Eemaldage süüteküünlalt süütejuhe.
2. Eemaldage õlipaagi kork.
3. Tühjendage mootoriõli.
 - a) Õli tühjenduskorgiga mudelite puhul: Asetage õli tühjenduskorgi alla mõni mahuti, kuhu mootoriõli saaks valguda.
 - b) Mudelite puhul, millel pole õli tühjenduskorgi või kui anumat pole võimalik õli tühjenduskorgi alla panna: Kasutage mootoriõli õlipaagist väljalaskmiseks õlipumpa (lisatarvik).
4. Lisage uus mootoriõli, mille tüüpi on soovitatud jaotises *Tehnilised andmed lk 114*.
5. Kontrollige õlitaset. Vt jaotist *Õlitaseme kontrollimine lk 112*.

Õhufilter

Märkus: Pikemat aega kasutatud õhufiltrit ei saa enam täiesti puhtaks. Vahetage õhufiltrit regulaarselt. Kahjustatud õhufilter tuleb alati välja vahetada.

Toote (KLIPPO LB 488SQ, KLIPPO LB 453SQ, KLIPPO LB 548Qe) õhufiltri eemaldamine ja paigaldamine



HOIATUS: Kasutage kaitsekindaid.

1. Avage klambrid õhufiltri kattel.
2. Eemaldage mootorilt ettevaatlikult õhufiltri kate (A).
3. Eemaldage õhufilter (B) ja vahfilter (C). (Joon. 45)
4. Veenduge, et õhufiltril poleks kahjustusi. Vahetage kahjustatud õhufilter välja.
5. Puhastage ja kontrollige õhufiltrit. Vt jaotist *Õhufiltri puhastamine (KLIPPO LB 448SQ, KLIPPO LB 453SQ, KLIPPO LB 548Qe) lk 113*.

6. Paigaldage vastupidises järjekorras.

Õhufiltri puhastamine (KLIPPO LB 448SQ, KLIPPO LB 453SQ, KLIPPO LB 548Qe)



ETTEVAATUST: Ärge käivitage mootorit, kui õhufilter puudub või on määrdunud.



ETTEVAATUST: Kui õhufilter ei lähe täielikult puhtaks või on kahjustatud, vahetage see välja. Kahjustatud õhufilter kahjustab mootorit.

1. Vajutage lukustussakke (A), eemaldage õhufiltri kate (B) ja eemaldage õhufilter (C). (Joon. 46)
2. Koputage õhufiltrit vastu kõva pinda või puhuge suruõhku puhta õhu poolelt läbi õhufiltri.



ETTEVAATUST: Ärge kasutage mustuse eemaldamiseks harja, kuna see lükkab mustuse õhufiltri sisse.

3. Puhastage õhufiltri hoidik (D) ja õhufiltri kate niiske riidelapiga.



ETTEVAATUST: Veenduge, et õhukanalisse (E) ei satuks mustust.

4. Paigaldage õhufilter. Veenduge, et õhufilter liibuks tihedalt vastu õhufiltri hoidikut.
5. Paigaldage õhufiltri kate, asetades esmalt oma kohale alumised sakid.

Õhufiltri puhastamine (KLIPPO LB 448S, KLIPPO LB 453S)



ETTEVAATUST: Ärge käivitage mootorit, kui õhufilter puudub või on määrdunud.



ETTEVAATUST: Kui õhufilter ei lähe täielikult puhtaks või on kahjustatud, vahetage see välja. Kahjustatud õhufilter kahjustab mootorit.

1. Vajutage lukustussakke (A), eemaldage õhufiltri kate (B) ja eemaldage õhufilter (C). (Joon. 47)
2. Koputage õhufiltrit vastu kõva pinda või puhuge suruõhku puhta õhu poolelt läbi õhufiltri.



ETTEVAATUST: Ärge kasutage mustuse eemaldamiseks harja, kuna see lükkab mustuse õhufiltri sisse.

3. Puhastage õhufiltri hoidik (D) ja õhufiltri kate niiske riidelapiga.



ETTEVAATUST: Veenduge, et õhukanalisse (E) ei satuks mustust.

4. Paigaldage õhufilter. Veenduge, et õhufilter liibuks tihedalt vastu õhufiltri hoidikut.
5. Paigaldage õhufiltri kate, asetades esmalt oma kohale alumised sakid.

Süüteküünla kontrollimine



ETTEVAATUST: Kasutage alati soovitatud tüüpi süüteküünalt. Vale tüüpi süüteküünal võib toodet kahjustada.

- Kontrollige süüteküünalt, kui mootori võimsus on madal, mootor ei käivitu kergesti või ei tööta tühikäigul korralikult.
- Süüteküünla elektrodidele võõrainete kogunemise ohu vähendamiseks täitke järgmisi juhiseid.
 - a) Veenduge, et tühikäigu pöörete arv on õigesti seadistatud.

b) Veenduge, et kütusesegu oleks õige.

c) Veenduge, et õhufilter oleks puhas.

- Kui süüteküünal on määrdunud, puhastage see ja kontrollige, kas elektrodide vahe on õige, vt jaotist *Tehnilised andmed lk 114.* (Joon. 48)
- Vajaduse korral vahetage süüteküünal välja.

Kütusesüsteemi kontrollimine

- Kontrollige kütusepaagi korki ja selle tihendit kahjustuste suhtes.
- Kontrollige kütusevoolikut lekete suhtes. Kahjustatud kütusevoolik laske hooldustöökojas välja vahetada.

Siduritrossi reguleerimine

Kui vedu on aeglane, tuleb siduritrossi reguleerida.

- Keerake reguleerimiskruvi. (Joon. 49)

Siduritross on õigesti reguleeritud, kui siduritrossi kronstein on mutriga kohakuti.

(Joon. 50)

Transportimine, hoiulepanek ja utiliseerimine

Transportimine ja hoiustamine

- Toote ja kütuse transportimisel ning hoiustamisel veenduge, et puuduvad lekked ja aurud. Elektriseadmetest või boileritest pärit sädemed ja lahtine leek võivad põhjustada tulekahju.
- Kütuse transportimiseks ja hoiustamiseks kasutage heakskiidetud mahuteid.
- Toote pikaks ajaks hoiule panemisel tühjendage eelnevalt kütusepaak. Kõrvaldage kütus spetsiaalses jäätmejaamas.
- Transportimisel kinnitage toode ohutult, et ära hoida kahjustusi ja õnnetusi.

- Hoidke toodet lukustatud kohas, kus sellele ei pääse juurde lapsed ega volitamata isikud.
- Hoidke toodet kuivas kohas, mis ei külmu.

Kõrvaldamine

- Järgige kohalikke jäätmekäitluseeskirju ja kehtivaid seadusi.
- Kemikaalid (nt mootoriõli ja kütus) kõrvaldage hoolduskeskuses või spetsiaalses jäätmejaamas.
- Kui toodet enam ei kasutata, toimetage see Husqvarna edasimüüjale või kõrvaldage see taaskasutuskeskuses.

Tehnilised andmed

Tehnilised andmed

	KLIPPO LB 448S	KLIPPO LB 448SQ	KLIPPO LB 453S	KLIPPO LB 453SQ	KLIPPO LB 548SQe
Mootor					
Kaubamärk	Honda	Husqvarna	Honda	Husqvarna	Husqvarna
Mudel	GCVX-145	HS 166AP	GCVx-170	HS 166AP	HS 166AP
Mootori tüüp	Ühesilindriline, neljataktiline, sundõhkjahutus, OHV	Ühesilindriline, neljataktiline, sundõhkjahutus, OHV	Ühesilindriline, neljataktiline, sundõhkjahutus, OHV	Ühesilindriline, neljataktiline, sundõhkjahutus, OHV	Ühesilindriline, neljataktiline, sundõhkjahutus, OHV

	KLIPPO LB 448S	KLIPPO LB 448SQ	KLIPPO LB 453S	KLIPPO LB 453SQ	KLIPPO LB 548SQe
Silindrimaht, cm ³	145	166	166	166	166
Kiirus, p/min	2900	2900	2900	2900	2900
Mootori nimivõimsus, kW ³⁶	2,7	2,75	3,3	2,75	2,75
Süütesüsteem					
Süüteküünal	NGK BPR5ES	Husqvarna HQT-7	NGK BPR5ES	Husqvarna HQT-7	Husqvarna HQT-7
Elektroodi vahe, mm	0,7–0,8	0,7-0,8	0,7–0,8	0,7-0,8	0,7-0,8
Kütuse- ja määrimissüsteem					
Mootori määrimistüüp	Pritse	Pritse	Pritse	Pritse	Pritse
Kütusepaagi maht, liitrit	0,9	1,5	0,9	1,5	1,5
Õlipaagi maht, liitrit	0,5	0,5	0,55	0,5	0,5
Mootoriõli ³⁷	Husqvarna SAE 30	Husqvarna SAE 30	Husqvarna SAE 30/SAE 10W-30	Husqvarna SAE 30/SAE 10W-30	Husqvarna SAE 30/SAE 10W-30
Kaal					
Tühjade paakidega, kg	30,5	32,5	33	33,5	34,5
Müratasemed ³⁸					
Helivõimsuse tase, mõõdetud dB(A)	90	93	91	94	92
Helivõimsuse tase, garanteeri- tud L _{WA} dB(A)	91	93	94	95	93
Helitasemed ³⁹					
Helirõhutase kasutaja kõrva juures, dB(A)	77	79	78	81	79
Vibratsioonitasemed, a_{hveq} ⁴⁰					
Käepide, m/s ²	4,5	4,2	5,3	6,4	4,0
Lõikeosa					
Lõikekõrgus, mm	30–60	30–60	30–60	30–60	30–60

³⁶ Mootori näidatud võimsusklass on vastava mootorimudeli järgi toodetud tüüp mootori keskmine netovõimsus (kindla pöörete arvu juures), mõõdetud vastavalt SAE standardile J1349/ISO1585. Masstoodangust tulnud mootoritel võib see väärtus pisut erineda. Tootele paigaldatud mootori tegelik võimsus on leibn töökiirusest, keskkonnatingimustest ja muudest teguritest.

³⁷ Kui kasutatakse SAE-30 õli madalamal temperatuuril kui +5 °C, siis on oht, et see ei määri mootorit piisavalt. See võib kahjustada mootorit. Vt jaotist *Mootoriõli vahetamine lk 113*, milline on õige õli madalal temperatuuril.

³⁸ Mürasemioon ümbristevasse keskkonda, mõõdetud helivõimsuse tasemena (L_{WA}) vastavalt EÜ direktiivile 2000/14/EÜ

³⁹ Mürarõhutase standardi EN ISO 5395 järgi. Mürarõhutase kohta toodud andmete statistiline dispersioon (standardhälve) on 1,2 dB(A).

⁴⁰ Vibratsioonitase standardi ISO 5395 järgi. Vibratsioonitase kohta toodud andmete tüüpiline statistiline dispersioon (standardhälve) on 0,2 m/s².

	KLIPPO LB 448S	KLIPPO LB 448SQ	KLIPPO LB 453S	KLIPPO LB 453SQ	KLIPPO LB 548SQe
Lõikelaius, mm	480	480	530	530	480
Lõiketera	Multš – 48 cm 5028813-10	Multš – 48 cm 5028813-10	Multš – 53 cm 5028814-10	Multš – 53 cm 5028814-10	Multš – 48 cm 5028813-10
Ajam					
Kiirus, km/h	4,5	4,5	4,5	4,5	4,5

Vastavusdeklaratsioon

EL-i vastavusdeklaratsioon

Husqvarna AB, SE-561 82 Huskvarna, Rootsi, tel: +46
3614 6500, kinnitab ainuvastutusel, et toode:

Kirjeldus	Muruniiduk
Kaubamärk	Husqvarna
Tüüp/mudel	KLIPPO LB 448S, KLIPPO LB 453S, KLIPPO LB 448SQ, KLIPPO LB 453SQ, KLIPPO LB 548SQe
Identifitseerimine	Seerianumbrid alates 2022. aastast

vastab täielikult järgmistele EÜ direktiividele ja määrustele:

Direktiiv/eeskiri	Kirjeldus
2006/42/EÜ	„masinadirektiiv“
2014/30/EL	„elektromagnetilise ühilduvuse direktiiv“
2000/14/EÜ	„seadmete müra kohta käiv direktiiv“
2011/65/EL	„elektri- ja elektroonikaseadmetes teatavate ohtlike ainete kasutamise piiramise direktiiv“

ja et kohalduvad järgmised standardid ja/või tehnilised spetsifikatsioonid: EN ISO 5395-1:2013/A1:2018, EN ISO 5395-2:2013/A1:2016/A2:2017, EN ISO 14982:2009, EN IEC 63000:2018.

Teavitatud asutus: 0404, RISE SMP Svensk Maskinprovning AB, Box 4053, SE-904 03 Umeå, Sweden. kinnitab vastavust nõukogu direktiivile 2000/14/EÜ, vastavushindamise menetlus: lisa VI.

Lisateavet mürataseme kohta vt *Tehnilised andmed lk 114*.

Huskvarna, 2023-02-07



Claes Losdal, aiandustoodete arendusdirektor,
Husqvarna AB

Tehnilise dokumentatsiooni eest vastutaja



Sisällys

Johdanto.....	118	Huolto.....	123
Turvallisuus.....	119	Kuljettaminen, säilyttäminen ja hävittäminen.....	127
Asentaminen.....	122	Tekniset tiedot.....	127
Käyttö.....	122	Vaatumusten mukaisuusvakuutus.....	130

Johdanto

Tuotekuvaus

Tuote on kävellen ohjattava ja pyörivä ruohonleikkuri. Tuotteessa on BioClip®-toiminto, joka leikkaa ruohon pieniksi paloiksi ja tekee siitä lannoitetta.

Tuotteen kuvaus

(Kuva 1)

1. Kahva/kahvasto
2. Moottorin jarrukahva
3. Ohjaussauva
4. Käynnistysnarun kahva
5. Öljysäiliön korkki
6. Hihnansuojus
7. Äänenvaimennin
8. Sytytystulppa
9. Hihnansuojus
10. Polttoainesäiliö
11. Käsikahvan kulman säätövipu
12. Tärinänvaimennusjärjestelmä
13. Kytkinjohdon säätö
14. Leikkuukorkeuden säätövipu
15. Polttoaineventtiili
16. Ilmansuodatin
17. Leikkuusuojus
18. Jousialuslevy
19. Terän pultti
20. Terä
21. Terätuki
22. Silppurin tulppa KLIPPO LB 448S, KLIPPO LB 448SQ, KLIPPO LB 548SQe
23. Käyttöohje

Tuotteen symbolit

- (Kuva 2) VAROITUS: Huolimaton tai virheellinen käyttö voi aiheuttaa käyttäjälle tai sivullisille vammoja tai kuoleman.
- (Kuva 3) Lue käyttöohje huolellisesti ja varmista, että ymmärrät sen sisällön ennen kuin alat käyttää tuotetta.
- (Kuva 4) Varo sinkoutuvia esineitä ja kimmokkeita.

Käyttötarkoitus

Käytä laitetta ruohon leikkuuseen. Älä käytä laitetta muihin tehtäviin.

- (Kuva 5) Pidä sivulliset ja eläimet turvallisen välimatkan päässä työalueesta.
- (Kuva 6) Pysäytä moottori ja poista sytytysjohto ennen korjaus- tai huoltotöitä.
- (Kuva 7) Varoitus: Pidä kädet ja jalat poissa pyörivien osien läheisyydestä.
- (Kuva 8) Varoitus: Pidä kädet ja jalat poissa pyörivän terän läheisyydestä.
- (Kuva 9) Tämä tuote täyttää sovellettavien EY-direktiivien vaatimukset.
- (Kuva 10) Tämä tuote täyttää sovellettavien UK-säädösten vaatimukset.
- (Kuva 11) Laitte täyttää sovellettavien Euraasian tulliliiton direktiivien vaatimukset. Koskee vain tuotteita KLIPPO LB 448S & KLIPPO LB 453S.
- (Kuva 12) Melupäästöt ympäristöön -tarra EU:n ja Yhdistyneen kuningaskunnan direktiivien ja säädösten mukaisesti sekä Uuden Etelä-Walesin "Protection of the Environment Operations (Noise Control) Regulation 2017" -asetuksen mukaisesti. Tuotteen taattu äänentehotaso on määritelty kohdassa *Tekniset tiedot sivulla 127* ja arvokilvessä.
- (Kuva 13) Skannattava koodi.

Huomautus: Muut tuotteessa olevat symbolit ja tarrat viittaavat markkinakohtaisiin lakisääteisiin vaatimuksiin.

Laitetarra, vain Australia ja Uusi-Seelanti

(Kuva 14)

Pidä kädet ja jalat poissa pyörivän terän läheisyydestä.

Euro V -päästöt



VAROITUS: Moottorin muokkaaminen mitätöi tuotteen EU-tyypihyväksynnän.

Tuotevastuu

Tuotevastuulain mukaisesti emme ole vastuussa tuotteen aiheuttamasta vauriosta, jos

- tuote on korjattu virheellisesti
- tuotteen korjaamiseen on käytetty muita kuin valmistajan omia tai sen hyväksymiä osia
- tuotteessa on muu kuin valmistajan oma tai sen hyväksymä lisävaruste
- tuotetta ei ole korjattu valtuutetussa huoltopisteessä tai hyväksytyllä asiantuntijalla.

Turvallisuus

Turvallisuusmääritelmät

Varoituksia, huomioita ja huomautuksia käytetään, kun jotakin käyttöohjeen osaa halutaan erityisesti korostaa.



VAROITUS: Tätä käytetään, jos käyttöohjeen noudattamatta jättämisestä voi seurata käyttäjän tai sivullisen vamma tai kuolema.



HUOMAUTUS: Tätä käytetään, jos käyttöohjeen noudattamatta jättämisestä voi seurata koneen, muiden materiaalien tai ympäristön vaurioituminen.

Huomautus: Tätä käytetään tietyissä tilanteissa tarvittavien lisätietojen antamiseen.

Yleiset turvallisuusohjeet



VAROITUS: Lue seuraavat varoitukset ennen tuotteen käyttöä.

- Tämä laite on vaarallinen, jos sitä käytetään huolimattomasti tai virheellisesti. Turvaohjeiden noudattamatta jättäminen voi aiheuttaa vammoja tai kuoleman.
- Tuote muodostaa käytön aikana sähkömagneettisen kentän. Kenttä saattaa joissakin olosuhteissa häiritä aktiivisten tai passiivisten lääketieteellisten implanttien toimintaa. Vakavien tai hengenvaarallisten tapaturmien ehkäisemiseksi kehotamme lääketieteellisiä implantteja käyttäviä henkilöitä neuvottelemaan lääkärin ja lääketieteellisen implantin valmistajan kanssa ennen tuotteen käyttämistä.
- Ole aina varovainen ja käytä tervettä järkeä. Jos et ole varma, miten tuotetta käytetään erityistilanteessa, sammuta tuote ja ota yhteys Husqvarna-jälleenmyyjään, ennen kuin jatkat.
- Muista, että käyttäjä on vastuussa muille ihmisille tai heidän omaisuudelleen aiheutuvista vahingoista.

- Pidä laite puhtaana. Varmista, että tuotteen merkit ja tarrat ovat luettavissa.
- Salli vain sellaisten henkilöiden, jotka ovat lukeeet käyttöohjekirjan ja ymmärtäneet siinä annetut ohjeet, käyttää tuotetta.
- Älä anna lasten käyttää tuotetta.
- Pidä lapset poissa työskentelyalueelta. Vastuullisen aikuisen on oltava aina paikalla.
- Tuotetta saavat käyttää vain henkilöt, jotka ovat lukeeet ja ymmärtävät ohjeet.
- Valvo aina laitetta käyttävää henkilöä, jonka fyysiset tai psyykkiset kyvyt ovat heikentyneet. Vastuullisen aikuisen on oltava aina paikalla.
- Älä käytä laitetta jos olet väsynyt tai sairas tai alkoholin, huumaavien aineiden tai lääkkeiden vaikutuksen alaisena. Niillä on negatiivinen vaikutus näkökykyysi, vireytesi, harkintakykyysi ja kehosi hallintaan.
- Älä käytä tuotetta, joka on vahingoittunut tai joka ei toimi oikein.
- Älä tee koneeseen muutoksia tai käytä konetta, mikäli epäilet jonkun muun muuttaneen sitä.
- Älä tee muutoksia moottorin käyntinopeuden hallintaan.

Työalueen turvallisuus



VAROITUS: Lue seuraavat varoitussuhteet ennen koneen käyttämistä.

- Poista työskentelyalueelta oksat, risut ja kivet ennen tuotteen käyttämistä.
- Terävarustukseen osuvat esineet sinkoutuvat edelleen ja voivat siten aiheuttaa vahinkoa ihmisille ja esineille. Pidä sivulliset ja eläimet turvallisen välimatkan päässä tuotteesta.
- Älä koskaan käytä tuotetta huonolla säällä esimerkiksi sumussa, sateessa, kovassa tuulessa, ankarassa pakkasessa tai ukkosella. Tuotteen käyttäminen huonolla säällä tai kosteissa tai märissä olosuhteissa on raskasta. Huono sää voi aiheuttaa vaaratilanteita, kuten liukastumisvaaran.

- Varo henkilöitä, esineitä ja tilanteita, jotka voivat estää tuotteen turvallisen käytön.
- Varo esteitä, kuten juuria, kiviä, risuja, kuoppia ja oja. Pitkän ruohon seassa voi olla esteitä.
- Ruohon leikkaaminen rinteissä voi olla vaarallista. Älä käytä tuotetta rinteessä, jonka kaltevuus on yli 15°.
- Käytä tuotetta sivusuunnassa rinteeseen nähden. Älä käytä tuotetta pystysuunnassa.
- Ole varovainen lähestyessäsi piilossa olevia kulmia ja esineitä, jotka estävät näkyvyyden.

- Sammuta moottori, kun siirät tuotteen ruohottoman alueen yli, esimerkiksi ylittäessäsi sora-, kivi- tai asfalttipolkuja.
- Älä juokse tuotteen kanssa, kun moottoria käynnistetään. Kävele aina, kun käytät tuotetta.
- Sammuta moottori ennen kuin muutat leikkuukorkeutta. Älä koskaan tee säätöjä moottorin käytessä.
- Älä koskaan jätä laitetta ilman valvontaa moottorin käytessä. Sammuta moottori ja varmista, ettei terävarustus pyöri.

Työturvallisuus



VAROITUS: Lue seuraavat varoitusohjeet ennen laitteen käyttämistä.

- Käytä tätä tuotetta ainoastaan nurmikoiden leikkaamiseen. Tuotteita ei saa käyttää muihin käyttötarkoituksiin.
- Käytä henkilökohtaisia suojavarusteita. Katso *Henkilökohtainen suojavarustus sivulla 120*.
- Opettele pysäyttämään moottori nopeasti hätätilassa.
- Älä koskaan käynnistä moottoria suljetussa tilassa tai lähellä herkästi syttyviä materiaaleja. Moottorin pakokaasu on kuumaa ja se voi sisältää kipinöitä, jotka voivat aiheuttaa tulipalon.
- Älä käytä tuotetta, ellei sen terää ja kaikkia suojuksia ole kiinnitetty asianmukaisesti. Virheellisesti kiinnitetty terä saattaa irrota ja aiheuttaa henkilövahinkoja.
- Varmista, ettei terä osu kiviin ja juuriin. Tämä voi vaurioittaa terää, ja kampaiksi voi vääntyä. Vääntynyt akseli aiheuttaa voimakasta värinää. Tällöin on erittäin suuri riski, että terä irtoaa.
- Jos terä osuu esineeseen tai alkaa tärästä, pysäytä tuote välittömästi. Irrota sytytyskaapeli sytytystulpasta. Tarkista tuote vaurioiden varalta. Korjaa vauriot tai teetä korjaustyöt valtuutetussa huoltoliikkeessä.
- Älä koskaan liitä moottorin jarrukahvaa pysyvästi kahvaan moottoria käynnistettäessä.
- Aseta tuote kiinteälle, tasaiselle alustalle ja käynnistä se. Varmista, ettei terä pääse osumaan maahan tai mihinkään esineeseen.
- Ole aina tuotteen takana käyttäessäsi sitä.
- Pidä kaikki renkaat maassa ja molemmat kätesi työntöaisalla käyttäessäsi tuotetta. Pidä kätesi ja jalkasi poissa pyörievien terien läheisyydestä.
- Älä kallista tuotetta moottorin käynnistyksen aikana.
- Ole varovainen vetäessäsi tuotetta taaksepäin.
- Älä koskaan nosta tuotetta moottorin käynnistyksen aikana. Jos tuotetta täytyy nostaa, sammuta ensin moottori ja irrota sytytyskaapeli sytytystulpasta.
- Älä kävele taaksepäin käyttäessäsi tuotetta.

Turvallisuusohjeet käyttöä varten

Henkilökohtainen suojavarustus



VAROITUS: Lue seuraavat varoitusohjeet ennen koneen käyttämistä.

- Henkilökohtaiset suojavarusteet eivät poista tapaturmien vaaraa, mutta ne lieventävät vammoja onnettomuustilanteessa. Anna jälleenmyyjän auttaa oikeiden varusteiden valinnassa.
- Käytä kuulonsuojaimia, kun melutaso on yli 85 dB.
- Käytä kestäviä luistamattomia saappaita tai kenkiä. Älä käytä avonaisia jalkineita tai kulje paljain jaloin.
- Käytä vahvakankaisia, pitkiä housuja.
- Käytä suojakäsineitä tarvittaessa, esimerkiksi terävarustuksen asennuksen, tarkastuksen ja puhdistuksen aikana.

Tuotteen turvalaitteet



VAROITUS: Lue seuraavat varoitukset ennen tuotteen käyttöä.

- Älä käytä tuotetta vahingoittuneiden tai viallisten turvalaitteiden kanssa.
- Tarkasta turvalaitteet säännöllisesti. Jos turvalaitteet ovat vahingoittuneet tai eivät toimi oikein, ota yhteys Husqvarna-huoltoliikkeeseen.
- Älä tee muutoksia turvalaitteisiin.

Leikkuusuojuksen tarkistaminen

Leikkuusuojuksen vähentää laitteen värinää ja terän aiheuttamaa tapaturmavaaraa.

- Tarkista leikkuusuojuksen vaurioiden, kuten halkeamien, varalta.

Hihnansuojuksen tarkistaminen

Hihnansuojuksen vähentää tapaturmavaaraa ja varmistaa, että rikkoutunut hihna pysyy paikallaan.

- Varmista, että hihnansuojuksen ei ole vaurioitunut ja on kiinnitetty oikein. (Kuva 15)

Moottorin jarrukahva

Moottorin jarrukahva pysäyttää moottorin. Kun moottorin jarrukahva vapautetaan, moottori pysähtyy.

Tarkista moottorijarru käynnistämällä moottori ja vapauttamalla sitten moottorin jarrukahva. Jos moottori ei pysähdy 3 sekunnissa, anna valtuutetun Husqvarna-huoltoliikkeen säätää moottorijarru.

(Kuva 16)

Tärinänavaimennusjärjestelmän tarkistaminen



VAROITUS: Liiallinen altistuminen tärinälle saattaa aiheuttaa verisuoni- tai hermovaurioita verenkiertohäiriöistä kärsiville henkilöille. Hakeudu lääkäriin, jos havaitset oireita, jotka voivat liittyä liialliseen tärinöille altistumiseen. Esimerkkejä tällaisista oireista ovat: huimaus, tunnottomuus, "kutina", "pistely", kipu, voimattomuus tai heikkous, ihon värin tai pinnan muutokset. Näitä oireita esiintyy tavallisesti sormissa, käsissä tai ranteissa.

Tärinänavaimennusjärjestelmä vähentää kahvan tärinää käytön aikana.

Kahvaston ja leikkuusuojuksen teräsputki vähentää tärinää. Mallissa KLIPPO LB 548SQe on myös neljä kahvastoon kiinnitettyä tärinänavaimennuselementtiä.

- Tarkista, että kahvasto ja tärinänavaimennuselementit ovat kunnossa. (Kuva 17)

Terätuki

Terätuki vähentää moottorin akselin vääntymisvaaraa. Jos terä osuu esineeseen, terä siirtyy vasten terätukea. Liike kuluttaa terätuen pintaa. Kuluma osoittaa, että moottorin akselin suojaus toimii oikein.

Äänenvaimennin

Äänenvaimennin pitää äänitason mahdollisimman alhaisena ja ohjaa moottorin pakokaasut käyttäjästä pois päin.

Älä käytä tuotetta, jos äänenvaimennin on vaurioitunut tai puuttuu kokonaan. Vaurioitunut äänenvaimennin nostaa äänitasoa ja lisää tulipalon vaaraa.



VAROITUS: Äänenvaimennin on erittäin kuuma käytön aikana, heti käytön jälkeen ja moottorin käydessä joutokäyntinopeudella. Ole varovainen syttyvien materiaalien ja/tai kaasujen läheisyydessä, jotta et aiheuta tulipaloa.

Äänenvaimentimen tarkistaminen

- Tarkista äänenvaimennin säännöllisesti vaurioiden varalta ja varmista, että se on kiinnitetty oikein.

Polttoaineturvallisuus



VAROITUS: Lue seuraavat varoitusohjeet ennen koneen käyttämistä.

- Älä käynnistä laitetta, jos sen päällä on polttoainetta tai moottoriöljyä. Poista ylimääräinen polttoaine tai öljy ja anna laitteen kuivua.
- Jos olet läikyttänyt polttoainetta vaatteillesi, vaihda vaatteet heti.
- Varo, ettei iholle pääse polttoainetta, sillä se voi aiheuttaa vamman. Jos ihollesi joutuu polttoainetta, pese se pois vedellä ja saippualla.
- Älä käynnistä laitetta, jos moottori vuotaa. Tarkista moottori säännöllisesti vuotojen varalta.
- Käsittele polttoainetta varoen. Polttoaine on syttyvää ja kaasut ovat räjähdysherkkiä, mikä voi aiheuttaa tapaturman tai kuoleman.
- Älä hengitä polttoainehöyryjä, sillä ne voivat aiheuttaa vamman. Varmista, että ilmanvirtaus on riittävä.
- Älä tupakoi polttoaineen tai moottorin lähistöllä.
- Älä sijoita lämpimiä esineitä polttoaineen tai moottorin lähelle.
- Älä lisää polttoainetta, kun moottori on käynnissä.
- Varmista ennen polttoaineen lisäämistä, että moottori on jäähtynyt.
- Ennen kuin lisäät polttoainetta, avaa polttoainesäiliön korkki hitaasti ja vapauta paine varovasti.
- Älä lisää polttoainetta moottoriin sisätilassa. Jos ilmanvirtaus ei ole riittävä, tukehtuminen tai hiilimonoksidin hengittäminen voi aiheuttaa vamman tai kuoleman.
- Kiristä polttoainesäiliön korkki tiukasti. Polttoainesäiliön korkin riittämätön kiristys aiheuttaa tulipalovaaran.
- Siirrä laite ennen käynnistystä vähintään 3 metrin päähän paikasta, jossa lisäsit polttoainetta.
- Älä täytä polttoainesäiliötä täyteen. Kuumuus saa polttoaineen laajenemaan. Jätä polttoainesäiliön päälle tyhjää tilaa.

Turvaohjeet huoltoa varten



VAROITUS: Lue seuraavat varoitusohjeet ennen koneen käyttämistä.

- Moottorin pakokaasut sisältävät hiilimonoksidia, joka on hajuton, myrkyllinen ja erittäin vaarallinen kaasu. Älä käynnistä moottoria sisällä tai suljetuissa tiloissa.
- Jos tuotetta täytyy huoltaa, sammuta ensin moottori ja irrota sytytyskaapeli sytytystulpasta.
- Käytä suojakäsineitä huoltaessasi terävarustusta. Terä on erittäin terävä ja aiheuttaa helposti haavoja.

- Lisävarusteet ja muut kuin valmistajan hyväksymät muutokset tuotteeseen voivat aiheuttaa vakavan vamman tai kuoleman. Älä tee tuotteeseen muutoksia. Käytä vain valmistajan hyväksymiä lisävarusteita.
- Jos tuotetta ei ole huollettu asianmukaisesti ja säännöllisesti, tapaturmien ja tuotteen vaurioitumisen vaara kasvaa.

- Huolla tuote ainoastaan käyttöohjekirjassa annettujen ohjeiden mukaisesti. Kaikki muut huoltotoimet on tehtävä valtuutetussa Husqvarna-huoltoliikkeessä.
- Anna valtuutetun Husqvarna-huoltoliikkeen huoltaa tuote säännöllisesti.
- Vaihda vaurioituneet, kuluneet tai rikkoutuneet osat.

Asentaminen

Johdanto



VAROITUS: Ennen kuin asennat laitteen, lue turvallisuutta käsittelevä luku niin, että ymmärrät sen sisällön.



VAROITUS: Irrota sytytystulpan johto sytytystulpasta ennen laitteen asentamista.

Kahvan asentaminen ja säätäminen

1. Irrota kahvamutteri ja aluslevy yläkahvan levystä.
2. Aseta yläkahva paikalleen alakahvan päälle.



HUOMAUTUS: Varmista, että johdot eivät jää väliin tai vahingoitu.

3. Kiinnitä aluslevy ja kahvamutteri. (Kuva 18)
4. Voit parantaa käyttöasentoa kääntämällä kahvaa sivulle, kun käytät laitetta seinän vieressä. (Kuva 19)
5. Säädä kahvaa pystysuunnassa kääntämällä rungon säätöpyöriä. (Kuva 20)

Silppurin tulpan asentaminen (KLIPPO LB 448S, KLIPPO LB 448SQ, KLIPPO LB 548SQe)

1. Kallista laitetta taaksepäin niin, että sytytystulppa on ylöspäin.
2. Aseta silppurin tulpan tapit leikkuusuojuksen sisäpinnan reikiin. (Kuva 21)
3. Kiinnitä silppurin tulpan ruuvit leikkuusuojuksen ulkopuolelta. (Kuva 22)

Käyttö

Johdanto



VAROITUS: Lue turvallisuutta käsittelevä luku niin, että ymmärrät sen sisällön, ennen laitteen käyttämistä.

Husqvarna Connect

Husqvarna Connect on ilmainen mobiililaitesovellus. Husqvarna Connect -sovellus saat lisätoimintoja Husqvarna-koneeseen:

- Enemmän tuotetietoja.
- Tietoja koneen osista ja huolto-ohjeita.

Husqvarna Connect -käytön aloittaminen

1. Lataa Husqvarna Connect -sovellus mobiililaitteeseesi.
2. Rekisteröi Husqvarna Connect -sovelluksessa.
3. Liitä ja rekisteröi kone Husqvarna Connect -sovelluksen ohjeiden mukaan.

Ennen tuotteen käyttöä

1. Lue käyttöohje huolellisesti ja varmista, että ymmärrät sen sisältämät ohjeet.
2. Tutki terävarustus ja varmista, että se on kiinnitetty ja säädetty asianmukaisesti. Katso *Terävarustuksen tarkistaminen sivulla 125*.
3. Täytä polttoainesäiliö. Katso *Polttoaineen lisääminen sivulla 122*.
4. Lisää öljysäiliöön öljyä ja tarkista öljytaso. Katso *Öljymäärän tarkistaminen sivulla 125*.

Polttoaineen lisääminen

Käytä ympäristöä säästävää bensiiniä tai alkylaattibensiiniä, jos niitä on saatavilla. Jos ympäristöä säästävää bensiiniä tai alkylaattibensiiniä ei ole saatavilla, käytä lyijytöntä tai lyijyllistä laatubensiiniä, jonka oktaaniluku on vähintään 90.



HUOMAUTUS: Älä käytä polttoainetta, jonka oktaaniluku on pienempi kuin 90 RON (87 AKI). Se voi vaurioittaa laitetta.

1. Vapauta polttoainesäiliöstä painetta avaamalla polttoainesäiliön korkki hitaasti.
2. Kaada polttoainesäiliöön hitaasti polttoainetta. Jos öljyä läikkyy, pyyhi öljy pois liinalla ja anna öljyjäämien kuivua. (Kuva 23)
3. Pyyhi polttoainesäiliön korkin ympäristö puhtaaksi.
4. Kiristä polttoainesäiliön korkki tiukasti. Polttoainesäiliön korkin riittämätön kiristys aiheuttaa tulipalovaaran.
5. Siirrä laite ennen käynnistystä vähintään 3 metrin (10 jalan) päähän paikasta, jossa lisäsit polttoainetta.

Leikkuukorkeuden asettaminen

Leikkuukorkeuden säädössä on 6 tasoa.

1. Lisää leikkuukorkeutta siirtämällä leikkuukorkeuden säätövipua eteenpäin.
2. Vähennä leikkuukorkeutta siirtämällä leikkuukorkeuden säätövipua taaksepäin.



HUOMAUTUS: Älä aseta leikkuukorkeutta liian alhaiseksi. Jos ruohikon pinta ei ole tasainen, terät voivat osua maahan.

Laitteen käynnistäminen

1. Varmista, että sytytyskaapeli on liitettyä sytytystulppaan.
2. Avaa polttoaineventtiili. (Kuva 24)
3. Seiso laitteen takana.
4. Pidä moottorin jarrukahvaa kahvastoa vasten. (Kuva 25)
5. Pitele käynnistysnarua kahvaa oikealla kädelläsi.
6. Vedä käynnistysnarusta hitaasti, kunnes tunnet hieman vastusta.
7. Käynnistä moottori vetämällä voimakkaasti.



VAROITUS: Älä kiedo käynnistysnarua kätesi ympärille.

Huolto

Johdanto



VAROITUS: Ennen minkäänlaisten huoltotöiden aloittamista sinun on luettava turvallisuutta käsittelevä luku niin, että ymmärrät sen sisällön.

Kaikkiin tuotteelle tehtäviin huolto- ja korjaustöihin tarvitaan erityiskoulutus. Takaamme, että tuotteemme huolletaan ja korjataan ammattimaisesti. Jos jälleenmyyjäsi ei ole huoltoliike, pyydä jälleenmyyjää neuvomaan lähin huoltoliike.



HUOMAUTUS: Älä vedä käynnistysnarua kokonaan ulos. Älä irrota otetta käynnistysnarusta, kun se on ulkona.

Vetojärjestelmän käyttäminen pyörillä

- Työnnä ohjaussauva alas. (Kuva 26)
- Ennen kuin vedät tuotetta taaksepäin, kytke vetojärjestelmä pois käytöstä ja työnnä tuotetta eteenpäin noin 10cm.
- Kytke vetojärjestelmä pois käytöstä vapauttamalla moottorin jarrukahvaa hieman esimerkiksi lähestyessäsi estettä.

Laitteen pysäyttäminen

- Jos haluat pysäyttää vain vetojärjestelmän, vapauta moottorin jarrukahvaa hieman.
- Pysäytä moottori vapauttamalla moottorin jarrukahva kokonaan.
- Sulje polttoaineventtiili. (Kuva 27)

Hyvän tuloksen saavuttaminen

- Käytä aina hyvin teroitettua terää. Tylsä terä leikkaa epätasaisesti ja ruohosta tulee keltaista leikatun pinnan kohdalta. Hyvin teroitettu terä käyttää myös tylsää terää vähemmän energiaa.
- Älä leikkaa enempää kuin 1/3 ruohon pituudesta. Aseta leikkuukorkeus ensimmäisellä leikkuukerralla korkeaksi. Tutkittuasi leikkuutuloksen voit laskea leikkuukorkeuden haluamalle tasolle. Jos ruoho on erittäin pitkää, kulje hitaasti ja leikkaa nurmikko tarvittaessa kaksi kertaa.
- Leikkaa joka kerta eri suuntiin, jotta nurmikkoon ei tule raitoja.
- Pidä leikkuusuojus puhtaana. Leikkuusuojuksen sisäpuolelle kertynyt ruoho ja lika voivat heikentää leikkuutuloksia. Katso kohta *Laitteen puhdistaminen ulkopuolelta sivulla 124*.

Katso lisätietoja kohdasta www.husqvarna.com.

Huoltokaavio

Huoltovälit on laskettu tuotteen päivittäisen käytön perusteella. Välit voivat muuttua, jos tuotetta ei käytetä päivittäin.

Saat lisätietoja *-merkillä merkityistä huolloista kohdasta *Tuotteen turvalaitteet sivulla 120*.

Huolto	Päivittäin	Viikoittain	Kuukausittain
Tee yleistarkastus	X		
Tarkista öljytaso	X		
Puhdista tuote	X		
Puhdista ilmansuodatin.	X		
Tarkista terävarustus	X		
Tarkista leikkuusuojus*	X		
Tarkista moottorin jarrukahva*.	X		
Tarkista äänenvaimennin*		X	
Tarkista sytytystulppa		X	
Tarkista vetohihna vaurioiden varalta			X
Puhdista vaihekotelo			X
Malli KLIPPO LB 448S, KLIPPO LB 453S. Vaihda öljy (ensimmäisten viiden käyttötunnin jälkeen ja sitten 25 käyttötunnin välein sekä vuosittain)			X
Malli KLIPPO LB 448SQ, KLIPPO LB 453SQ, KLIPPO LB 548SQe. Vaihda öljy (ensimmäisten viiden käyttötunnin jälkeen ja sitten 100 käyttötunnin välein sekä vuosittain)			X
Vaihda ilmansuodatin.			X
Tarkista polttoainejärjestelmä			X
Tarkista ja säädä vetojärjestelmä (kytkinjohto).			X

Yleistarkastus

- Varmista, että laitteen kaikki ruuvit ja mutterit on kiristetty oikein.

Laitteen puhdistaminen ulkopuolelta

- Poista lehdet, ruoho ja lika harjalla.
- Varmista, ettei moottorin yläosassa sijaitseva ilmanottoaukko ole tukkeutunut.
- Älä käytä laitteen puhdistamiseen painepesuria.
- Jos käytät tuotteen puhdistamiseen vettä, älä suihkuta vettä suoraan moottoriin.

Leikkuusuojuksen sisäpinnan puhdistaminen

1. Aseta laite kyljelleen äänenvaimennin alaspäin.



HUOMAUTUS: Jos laite asetetaan ilmansuodatin alaspäin, moottori saattaa vaurioitua.

2. Pese leikkuusuojuksen sisäpinta vesiletikulla.

Vetohihnan ja tarkistaminen ja vaihekotelon puhdistaminen

1. Irrota hihnansuojuksen neljä ruuvia ja hihnansuojus. (Kuva 28)
2. Tarkista vetohihna ja hihnapyörä vaurioiden varalta.
3. Poista vaihteistokotelosta lehdet, ruoho ja lika harjalla. (Kuva 29)

Vetohihnan vaihtaminen ja säätäminen

1. Irrota hihnansuojuksen neljä ruuvia ja hihnansuojus. (Kuva 28)
2. Aseta ruuvimeisseli pölykapselin ja laitteen oikean etupyörän väliin.
3. Irrota pölykapseli kääntämällä ruuvimeisseliä varovasti.
4. Avaa pyörän pultti ja irrota pyörä. (Kuva 30)
5. Irrota vetohihna hihnapyörästä.
6. Varmista, että hihnapyörät liikkuvat helposti akselillaan.

7. Ruiskuta tarvittaessa irrotusöljyä hihnapyörien väliin ja taakse ja voitele akseli.
8. Asenna uusi vetohihna ja varmista ennen hihnan säätämistä, että se sopii kuulalaakeriin. (Kuva 31)
9. Säädä vetohihnaa liikuttamalla kuulalaakeria ylös tai alas. (Kuva 32)

Huomautus: Uusi vetohihna venyy käytössä. Säädä vetohihnaa uudelleen muutaman käyttötunnin jälkeen.

10. Kiinnitä hihnansuojus.
11. Käytä laitetta ja varmista, että vetohihna on oikein asennettu ja säädetty.

Keskihihnan vaihtaminen ja säätäminen

1. Irrota terä.

Huomautus: Tämä vaihe ei ole tarpeen, jos säädät vain keskihihnaa.

2. Löysää säätöruuveja muutama kierros, mutta älä irrota niitä. (Kuva 33)
3. Vaihda keskihihna ja kiristä säätöruuveja hieman.

Huomautus: Tämä vaihe ei ole tarpeen, jos säädät vain keskihihnaa.

4. Säädä keskihihnaa siirtämällä vaihdetta eteen tai taakse. (Kuva 34)
5. Tarkista keskihihnan kireys koukkuvaa'alla. Hihnan kireys on oikea, kun sen keskiosa liikkuu 6–10 mm. Tämä vastaa noin 3 kg:n vetoa. (Kuva 35)
6. Kiristä säätöruuvit kiristysmomenttiin 3 Nm.
7. Käytä laitetta ja varmista, että vetohihna on oikein asennettu ja säädetty.

Terävarustuksen tarkistaminen



VAROITUS: Estä tuotteen tahaton käynnistyminen irrottamalla sytytyskaapeli sytytystulpasta.



VAROITUS: Käytä suojakäsineitä huoltaessasi terävarustusta. Terä on erittäin terävä ja aiheuttaa helposti haavoja.

1. Tutki terävarustus vaurioiden tai halkeamien varalta. Vaurioitunut terävarustus on aina vaihdettava.
2. Tarkista, onko terä vaurioitunut tai tylsä.

Huomautus: Terä on tasapainotettava oikein teroituksen jälkeen. Anna huoltoliikkeen teroittaa, vaihtaa ja tasapainottaa terä. Jos osut esteeseen niin, että tuote pysähtyy, vaihda vaurioitunut terä. Anna

huoltoliikkeen arvioida, voiko terän teroittaa vai onko se vaihdettava.

Terän vaihtaminen

1. Lukitse terä puukiilalla. (Kuva 36)
2. Irrota teräpultti, aluslevy ja terä. (Kuva 37)
3. Tarkista terätuki ja -pultti vaurioiden varalta.
 - a) Jos vaihdat terän tai terätuen, vaihda myös teräpultti, jousialuslevy ja kitka-aluslevy.
4. Tutki kampiakseli ja varmista, ettei se ole vääntynyt.
5. Asenna uusi terä siten, että käännevetä päät osoittavat leikkusuojuksen suuntaan. (Kuva 38)
6. Aseta kitka-aluslevy ja terä terätukea vasten. (Kuva 39)
7. Varmista, että terä on linjassa akselin keskiosan kanssa. (Kuva 40)
8. Lukitse terä puukiilalla. (Kuva 41)
9. Kiinnitä jousialuslevy paikalleen ja kiristä pultti momenttiin 80 Nm. (Kuva 42)
10. Pyöritä terää käsin ja varmista, että se pyörii vapaasti.



VAROITUS: Käytä suojakäsineitä. Terä on erittäin terävä ja aiheuttaa helposti haavoja.

11. Testaa terää käynnistämällä laite. Jos terä ei ole kiinnitetty asianmukaisesti, laite tärisee tai sen leikkuutulos ei ole tyydyttävä.

Öljymäärän tarkistaminen



HUOMAUTUS: Liian alhainen öljytaso voi vaurioittaa moottoria. Tarkista öljytaso ennen kuin käynnistät tuotteen.

1. Aseta tuote tasaiselle alustalle.
2. Irrota polttoainesäiliön korkki ja mittatikku.
3. Pyyhi mittatikku puhtaaksi öljystä.
4. Työnnä mittatikku kokonaan öljysäiliöön. Kiristä öljysäiliön korkki, jotta saat oikean kuvan öljytasosta.
5. Poista mittatikku.
6. Tarkista öljytaso mittatikusta.
7. Jos öljytaso on alhainen, lisää moottoriöljyä ja tarkista öljytaso uudelleen.

(Kuva 43)

Huomautus: Käytä suppiloa läikkyamisen välttämiseksi.

Moottoriöljyn vaihtaminen



VAROITUS: Moottoriöljy on erittäin kuumaa moottorin sammuttamisen jälkeen. Anna moottorin jäähtyä ennen kuin valutat moottoriöljyn pois moottorista. Jos moottoriöljyä joutuu iholle, pese öljy pois vedellä ja saippualla.

(Kuva 44)

1. Irrota sytytyskaapeli sytytystulpasta.
2. Irrota öljysäiliön korkki.
3. Tyhjennä moottoriöljy.
 - a) Mallit, joissa on öljyntyhjennustulppa: Aseta tuotteen alle säiliö, johon valutat öljyn.
 - b) Mallit, joissa ei ole öljyntyhjennustulppaa tai joissa säiliön asettaminen öljyntyhjennustulpan alle ei ole mahdollista: Tyhjennä moottoriöljy öljysäiliöstä öljynpoistopumpulla (lisävaruste).
4. Lisää uutta moottoriöljyä, jota suositellaan kohdassa *Tekniset tiedot sivulla 127*.
5. Tarkista öljytaso. Katso kohdasta *Öljymäärän tarkistaminen sivulla 125*.

Ilmansuodatin

Huomautus: Pitkään käytössä ollut ilmansuodatinta ei voi koskaan puhdistaa täysin puhtaaksi. Vaihda ilmansuodatin säännöllisin väliajoin. Vaurioitunut ilmansuodatin on aina vaihdettava.

Ilmansuodattimen irrottaminen ja asentaminen (KLIPPO LB 448SQ, KLIPPO LB 453SQ, KLIPPO LB 548Qe)



VAROITUS: Käytä suojakäsineitä.

1. Paina ilmansuodattimen kannen kiinnikkeitä.
2. Irrota ilmansuodattimen kansi (A) varovasti moottorista.
3. Irrota ilmansuodatin (B) ja vaahtosuodatin (C). (Kuva 45)
4. Tarkista ilmansuodatin vaurioiden varalta. Vaihda vaurioitunut ilmansuodatin.
5. Puhdista ja tarkista ilmansuodatin. Katso kohdasta *Ilmansuodattimen puhdistaminen – (KLIPPO LB 448SQ, KLIPPO LB 453SQ, KLIPPO LB 548Qe) sivulla 126*.
6. Asenna päinvastaisessa järjestyksessä.

Ilmansuodattimen puhdistaminen – (KLIPPO LB 448SQ, KLIPPO LB 453SQ, KLIPPO LB 548Qe)



HUOMAUTUS: Älä käytä moottoria ilman ilmansuodatinta tai jos ilmansuodatin on likaantunut.



HUOMAUTUS: Vaihda ilmansuodatin, jos se ei puhdistu tai jos se on vaurioitunut. Viallinen ilmansuodatin vahingoittaa moottoria.

1. Paina kielekkeitä (A), irrota ilmansuodattimen kansi (B) ja irrota ilmansuodatin (C). (Kuva 46)
2. Kopauta ilmansuodatinta varovasti kovaa pintaa vasten tai puhdista se puhaltamalla paineilmaa suodattimen puhtaalta puolelta.



HUOMAUTUS: Älä käytä puhdistamiseen harjaa, sillä se työntää likaa ilmansuodattimen sisään.

3. Puhdista ilmansuodattimen kotelo (D) ja kansi kostealla liinalla.



HUOMAUTUS: Varmista, että ilmaputkeen (E) ei pääse likaa.

4. Asenna ilmansuodatin. Varmista, että ilmansuodatin asettuu tiiviisti ilmansuodattimen pidintä vasten.
5. Asenna ilmansuodattimen kansi painamalla ensin alapuolen kiinnikkeet paikoilleen.

Ilmansuodattimen puhdistaminen – (KLIPPO LB 448S, KLIPPO LB 453S)



HUOMAUTUS: Älä käytä moottoria ilman ilmansuodatinta tai jos ilmansuodatin on likaantunut.



HUOMAUTUS: Vaihda ilmansuodatin, jos se ei puhdistu tai jos se on vaurioitunut. Viallinen ilmansuodatin vahingoittaa moottoria.

1. Paina kielekkeitä (A), irrota ilmansuodattimen kansi (B) ja irrota ilmansuodatin (C). (Kuva 47)
2. Kopauta ilmansuodatinta varovasti kovaa pintaa vasten tai puhdista se puhaltamalla paineilmaa suodattimen puhtaalta puolelta.



HUOMAUTUS: Älä käytä puhdistamiseen harjaa, sillä se työntää likaa ilmansuodattimen sisään.

3. Puhdista ilmansuodattimen kotelo (D) ja kansi kostealla liinalla.



HUOMAUTUS: Varmista, että ilmaputkeen (E) ei pääse likaa.

4. Asenna ilmansuodatin. Varmista, että ilmansuodatin asettu tiiviisti ilmansuodattimen pidintä vasten.
5. Asenna ilmansuodattimen kansi painamalla ensin alapuolen kiinnikkeet paikoilleen.

Sytytystulpan tarkistus



HUOMAUTUS: Käytä aina suositeltua sytytystulppaa. Väärä sytytystulpan tyyppi voi aiheuttaa laitteen vaurioitumisen.

- Tarkista sytytystulppa, jos moottorin teho on heikko, moottoria on vaikea saada käyntiin tai se ei toimi oikein joutokäyntinopeudella.
- Ehkäise ylimääräisen materiaalin joutuminen sytytystulpan elektrodeihin noudattamalla seuraavia ohjeita:
 - Varmista, että joutokäyntinopeus on säädetty oikein.

b) Varmista, että polttoaineseos on oikea.

c) Varmista, että ilmansuodatin on puhdas.

- Jos sytytystulppa on karstoittunut, puhdista se ja tarkista samalla, että kärkiväli on oikea, katso *Tekniset tiedot sivulla 127.* (Kuva 48)
- Vaihda sytytystulppa tarvittaessa.

Polttoainejärjestelmän tarkistaminen

- Tutki polttoainesäiliön korkki ja polttoainesäiliön korkin tiiviste vaurioiden varalta.
- Tutki polttoaineletku vuotojen varalta. Jos polttoaineletku on vaurioitunut, vaihdata se huoltoliikkeessä.

Kytkinjohdon säätäminen

Jos vetojärjestelmä tuntuu hitaalta, kytkinjohtoa on säädettävä.

- Käännä säätöruuvia. (Kuva 49)

Kytkinjohto on säädetty oikein, kun sen kannatin on linjassa mutterin kanssa.

(Kuva 50)

Kuljettaminen, säilyttäminen ja hävittäminen

Kuljetus ja säilytys

- Kun säilytät ja kuljetat tuotetta ja polttoainetta, varmista, ettei tuote vuoda polttoainetta tai polttoainehöyryä. Esimerkiksi sähkölaitteista tai lämmityskattiloista peräisin olevat kipinät tai avotuli voivat aiheuttaa tulipalon.
- Käytä polttoaineen säilytyksessä ja kuljettamisessa aina hyväksytyjä polttoainesäiliöitä.
- Tyhjennä tuotteen polttoainesäiliö, jos varastoit tuotteen pitkäksi ajaksi. Hävitä polttoaine viemällä se asianmukaiseen keräyspisteeseen.
- Vältä onnettomuudet ja tuotteen vaurioituminen kiinnittämällä tuote turvallisesti kuljetuksen ajaksi.
- Säilytä tuotetta lukitussa varastossa, jonne lapset ja asiattomat henkilöt eivät pääse.

- Säilytä tuotetta kuivassa paikassa, jossa lämpötila ei laske pakkasen puolelle.

Hävittäminen

- Noudata paikallisia kierrätysvaatimuksia ja säädöksiä.
- Hävitä kaikki kemikaalit, kuten moottoriöljy ja polttoaine viemällä ne huoltoliikkeeseen tai asianmukaiseen keräyspisteeseen.
- Kun tuote tulee elinkaarensa päähän, hävitä tuote lähettämällä se Husqvarna-jälleenmyyjälle tai kierrätyspisteeseen.

Tekniset tiedot

Tekniset tiedot

	KLIPPO LB 448S	KLIPPO LB 448SQ	KLIPPO LB 453S	KLIPPO LB 453SQ	KLIPPO LB 548SQe
Moottori					
Tuotemerkki	Honda	Husqvarna	Honda	Husqvarna	Husqvarna

	KLIPPO LB 448S	KLIPPO LB 448SQ	KLIPPO LB 453S	KLIPPO LB 453SQ	KLIPPO LB 548SQe
Malli	GCVX-145	HS 166AP	GCVx-170	HS 166AP	HS 166AP
Mootorin tyyppi	Yksisylinterinen, nelitahtinen, paineilmajäähdytys, OHV	Yksisylinterinen, nelitahtinen, paineilmajäähdytys, OHV	Yksisylinterinen, nelitahtinen, paineilmajäähdytys, OHV	Yksisylinterinen, nelitahtinen, paineilmajäähdytys, OHV	Yksisylinterinen, nelitahtinen, paineilmajäähdytys, OHV
Iskutilavuus, cm ³	145	166	166	166	166
Nopeus, r/min	2 900	2 900	2 900	2 900	2 900
Mootorin nimellisteho, kW ⁴¹	2,7	2,75	3,3	2,75	2,75
Sytytysjärjestelmä					
Sytytystulppa	NGK BPR5ES	Husqvarna HQT-7	NGK BPR5ES	Husqvarna HQT-7	Husqvarna HQT-7
Kärkiväli, mm	0,7–0,8	0,7–0,8	0,7–0,8	0,7–0,8	0,7–0,8
Polttoaine-/voitelujärjestelmä					
Mootorin voitelun tyyppi	Roiske	Roiske	Roiske	Roiske	Roiske
Polttoainesäiliön tilavuus, litraa	0,9	1,5	0,9	1,5	1,5
Öljysäiliön tilavuus, litraa	0,5	0,5	0,55	0,5	0,5
Mootoriöljy ⁴²	Husqvarna SAE 30	Husqvarna SAE 30	Husqvarna SAE 30/SAE 10W-30	Husqvarna SAE 30/SAE 10W-30	Husqvarna SAE 30/SAE 10W-30
Paino					
Säiliöt tyhjinä, kg	30,5	32,5	33	33,5	34,5
Melupäästöt ⁴³					
Äänentehotaso, mitattu dB(A)	90	93	91	94	92
Äänentehotaso, taattu L _{WA} dB(A)	91	93	94	95	93
Äänitasot ⁴⁴					
Äänenpainetaso käyttäjän korvan tasalla, dB(A)	77	79	78	81	79
Tärinätasot, a_{hv}, eq ⁴⁵					

⁴¹ Mootorin ilmoitettu nimellisteho on moottorimallia edustavan tyypillisen tuotantomootorin keskimääräinen nettoteho (rpm) mitattuna SAE-standardin J1349/ISO1585 mukaisesti. Massatuotantomootorit voivat poiketa tästä arvosta. Tuotteeseen asennetun moottorin todellinen lähtöteho riippuu käyttönopeudesta, ympäristön olosuhteista ja muista arvoista.

⁴² Jos SAE-30-öljyä käytetään alle +5 °C:n lämpötilassa, öljy ei välttämättä voitele moottoria riittävästi. Se voi vahingoittaa moottoria. Katso kohdasta *Mootoriöljyn vaihtaminen sivulla 126* tiedot alhaisiin lämpötiloihin sopivasta öljystä.

⁴³ Melupäästö ympäristöön äänitehona (L_{WA}) EY-direktiivin 2000/14/EY mukaisesti mitattuna.

⁴⁴ Äänenpainetaso standardin ISO 5395 mukaan. Äänenpainetasoista ilmoitettujen tietojen tyypillinen tilastollinen hajonta (keskihajonta) on 1,2 dB(A).

⁴⁵ Tärinätasot standardin ISO 5395 mukaan. Tärinätasolle ilmoitetuissa tiedoissa tyypillinen tilastollinen hajonta (vakiopoikkeama) on 0,2 m/s².

	KLIPPO LB 448S	KLIPPO LB 448SQ	KLIPPO LB 453S	KLIPPO LB 453SQ	KLIPPO LB 548SQe
Työntöaisa, m/s ²	4,5	4,2	5,3	6,4	4,0
Terävarustus					
Leikkuukorkeus, mm	30–60	30–60	30–60	30–60	30–60
Leikkuuleveys, mm	480	480	530	530	480
Terä	Silppuri – 48 cm 5028813-10	Silppuri – 48 cm 5028813-10	Silppuri – 53 cm 5028814-10	Silppuri – 53 cm 5028814-10	Silppuri – 48 cm 5028813-10
Ajo					
Nopeus, km/h	4,5	4,5	4,5	4,5	4,5

Vaatimustenmukaisuusvakuutus

EU-vaatimustenmukaisuusvakuutus

Husqvarna AB, SE-561 82 Huskvarna, Ruotsi, puh. +46
36 146500, vakuuttaa täten, että tuote:

Kuvaus	Ruohonleikkuri
Tuotemerkki	Husqvarna
Tyyppi/malli	KLIPPO LB 448S, KLIPPO LB 453S, KLIPPO LB 448SQ, KLIPPO LB 453SQ, KLIPPO LB 548SQe
Tunniste	Sarjanumerot vuodesta 2022 alkaen

vastaavat täysin seuraavien EU:n direktiivien ja
asetusten vaatimuksia:

Direktiivi/asetus	Kuvaus
2006/42/EC	konedirektiivi
2014/30/EU	EMC-direktiivi
2000/14/EC	Melupäästädirektiivi
2011/65/EU	Direktiivi tiettyjen vaarallisten aineiden käytön rajoittamisesta sähkö- ja elektroniikkalaitteissa

ja että asiassa sovelletaan seuraavia standardeja ja/tai
teknisiä tietoja: EN ISO 5395-1:2013/A1:2018, EN ISO
5395-2:2013/A1:2016/A2:2017, EN ISO 14982:2009, EN
IEC 63000:2018.

Ilmoitettu tarkastuslaitos: 0404, RISE SMP Svensk
Maskinprovning AB, Box 4053, SE-904 03
Umeå, Sweden. vakuuttaa yhdenmukaisuuden
neuvoston direktiivin 2000/14/EY mukaisesti,
vaatimustenmukaisuuden arviointimenettely: liite VI.

Katso lisätietoja melupäästöistä osiosta *Tekniset tiedot*
sivulla 127.

Huskvarna, 2023-02-07



Claes Losdal, kehityspäällikkö/puutarhatuotteet,
Husqvarna AB

Teknisestä dokumentaatiosta vastaava edustaja



Sommaire

Introduction.....	131	Entretien.....	137
Sécurité.....	132	Transport, entreposage et mise au rebut.....	141
Montage.....	135	Caractéristiques techniques.....	142
Utilisation.....	136	Déclaration de conformité.....	144

Introduction

Description du produit

Le produit est une tondeuse rotative à pousser qui utilise le système BioClip® pour transformer l'herbe en engrais.

Aperçu du produit

(Fig. 1)

1. Poignée/Guidon
2. Poignée de frein moteur
3. Levier d'entraînement
4. Poignée du câble du démarreur
5. Bouchon d'huile
6. Protection de courroie
7. Silencieux
8. Bougie
9. Protection de courroie
10. Réservoir de carburant
11. Levier de réglage de l'angle de la poignée
12. Système anti-vibrations
13. Réglage du câble d'embrayage
14. Levier de hauteur de coupe
15. Robinet de carburant
16. Filtre à air
17. Capot de coupe
18. Rondelle élastique
19. Boulon de lame
20. Lame
21. Support de lame
22. Obturateur de broyeur KLIPPO LB 448S, KLIPPO LB 448SQ, KLIPPO LB 548SQe
23. Manuel d'utilisation

Symboles concernant le produit

(Fig. 2) **AVERTISSEMENT** : une utilisation erronée ou négligente peut occasionner des blessures graves, voire mortelles, pour l'opérateur ou d'autres personnes.

(Fig. 3) Veuillez lire attentivement le manuel d'utilisation et assurez-vous de bien comprendre les instructions avant utilisation.

(Fig. 4) Attention : projections et ricochets.

Utilisation prévue

Utilisez le produit pour couper l'herbe. N'utilisez pas ce produit pour d'autres travaux.

(Fig. 5) Maintenez les personnes et les animaux à une distance suffisante de la zone de travail.

(Fig. 6) Coupez le moteur et retirez le câble d'allumage avant toute réparation ou opération d'entretien.

(Fig. 7) Avertissement : Éloignez vos pieds et vos mains des pièces rotatives.

(Fig. 8) Avertissement : Éloignez vos mains et vos pieds de la lame en rotation.

(Fig. 9) Ce produit est conforme aux directives CE en vigueur.

(Fig. 10) Ce produit est conforme aux directives applicables en vigueur au Royaume-Uni.

(Fig. 11) Le produit est conforme aux directives de l'Union douanière eurasiatique en vigueur. Valable uniquement pour KLIPPO LB 448S & KLIPPO LB 453S.

(Fig. 12) Étiquette relative aux émissions sonores dans l'environnement selon les directives et réglementations européennes et du Royaume-Uni et la législation de la Nouvelle-Galles du Sud « Protection of the Environment Operations (Noise Control) Regulation 2017 ». Le niveau de puissance sonore garanti du produit est spécifié à la section *Caractéristiques techniques à la page 142* et sur l'étiquette.

(Fig. 13) Code optiquement lisible.

Remarque: Les autres symboles/autocollants présents sur le produit concernent des exigences légales spécifiques à certains marchés.

Autocollant sur le produit, pour l'Australie et Nouvelle-Zélande uniquement

(Fig. 14)

Maintenez les mains et les pieds à distance de la lame en rotation.

Émissions Euro V



AVERTISSEMENT: toute altération du moteur a pour effet d'annuler l'homologation de type UE de ce produit.

Responsabilité

Conformément à la loi sur la responsabilité du fait des produits, nous déclinons toute responsabilité pour tout dommage causé par notre produit si :

- le produit n'est pas correctement réparé ;
- le produit est réparé avec des pièces qui ne proviennent pas du fabricant ou qui ne sont pas homologuées par le fabricant ;
- le produit est équipé d'un accessoire qui ne provient pas du fabricant ou qui n'est pas homologué par le fabricant ;
- le produit n'est pas réparé par un centre d'entretien agréé ou par une autorité homologuée.

Sécurité

Définitions de sécurité

Des avertissements, des recommandations et des remarques sont utilisés pour souligner des parties spécialement importantes du manuel.



AVERTISSEMENT: Symbole utilisé en cas de risque de blessures ou de mort pour l'opérateur ou les personnes à proximité si les instructions du manuel ne sont pas respectées.



REMARQUE: Symbole utilisé en cas de risque de dommages pour le produit, d'autres matériaux ou les environs si les instructions du manuel ne sont pas respectées.

Remarque: Symbole utilisé pour donner des informations supplémentaires pour une situation donnée.

Instructions générales de sécurité



AVERTISSEMENT: lisez les instructions qui suivent avant d'utiliser le produit.

- Ce produit est dangereux s'il est utilisé de manière incorrecte ou imprudente. Des blessures graves ou mortelles peuvent se produire si vous ne respectez pas les instructions de sécurité.
- Ce produit génère un champ électromagnétique durant son fonctionnement. Ce champ peut dans certaines circonstances perturber le fonctionnement d'implants médicaux actifs ou passifs. Pour réduire le risque de blessures graves ou mortelles, nous recommandons aux personnes portant des implants médicaux de consulter leur médecin et le fabricant de leurs implants avant d'utiliser ce produit.

- Soyez toujours prudent et utilisez votre bon sens. Si vous ne savez pas comment faire fonctionner le produit dans une situation particulière, ne l'utilisez pas et contactez votre revendeur Husqvarna avant de poursuivre.
- N'oubliez pas que l'opérateur sera tenu responsable des accidents occasionnés à des tiers et à leurs biens.
- Maintenez le produit propre. Assurez-vous que vous pouvez lire clairement les avertissements et les autocollants.
- Ne laissez personne utiliser le produit avant d'avoir lu et compris le contenu du manuel d'utilisation.
- Ne laissez pas un enfant utiliser le produit.
- Tenez les enfants éloignés de la zone de travail. Un adulte responsable doit être présent à tout moment.
- Ne laissez pas une personne utiliser le produit si elle ne connaît pas les instructions.
- Surveillez constamment les personnes aux capacités physiques ou mentales réduites qui utilisent ce produit. Un adulte responsable doit être présent à tout moment.
- N'utilisez jamais le produit si vous êtes fatigué ou malade, ou si vous êtes sous l'emprise d'alcool, de drogues ou de médicaments. Cela a un effet négatif sur votre vision, votre vigilance, votre coordination et votre jugement.
- N'utilisez pas un produit endommagé ou qui ne fonctionne pas correctement.
- Ne modifiez jamais le produit et ne l'utilisez jamais s'il est susceptible d'avoir été modifié par un tiers.
- Ne modifiez pas le réglage de régulation du régime moteur.

Sécurité dans l'espace de travail



AVERTISSEMENT: Lisez les instructions qui suivent avant d'utiliser le produit.

- Retirez les objets tels que les branches, les brindilles et les pierres de la zone de travail avant d'utiliser le produit.
- Les objets heurtant l'équipement de coupe peuvent être éjectés et causer des blessures ou des dégâts matériels. Maintenez les personnes aux alentours et les animaux à une distance suffisante du produit.
- N'utilisez jamais le produit par mauvais temps, par exemple en cas de brouillard, de pluie, de vent violent, de froid intense et de risque d'éclair. Utiliser le produit par mauvais temps ou dans des environnements humides est fatigant. Le mauvais temps peut rendre les conditions de travail dangereuses : des surfaces peuvent par exemple devenir glissantes.
- Identifiez les éventuels personnes, objets et situations susceptibles de nuire à la sécurité du fonctionnement du produit.
- Soyez attentif aux obstacles tels que les racines, les pierres, les brindilles, les fosses et les fossés. L'herbe haute peut cacher des obstacles.
- Il peut être dangereux de couper l'herbe sur des terrains en pente. N'utilisez pas le produit sur un sol dont la pente est supérieure à 15°.
- Faites fonctionner le produit en travers de la courbe de la pente, jamais de haut en bas.
- Soyez prudent lorsque vous vous approchez de coins cachés et d'objets qui empêchent d'avoir une vue dégagée.
- Arrêtez immédiatement le produit s'il vibre ou bute sur un objet. Débranchez le câble d'allumage de la bougie. Vérifiez que le produit n'est pas endommagé. Réparez les éventuels dommages ou demandez à un atelier spécialisé agréé procéder aux réparations.
- N'attachez jamais la poignée de frein moteur en permanence à la poignée de commande quand le moteur est mis en marche.
- Placez le produit sur une surface stable et plane, puis lancez-le. Vérifiez que la lame ne touche pas le sol ou tout autre objet.
- Restez toujours derrière le produit lorsque vous l'utilisez.
- Faites reposer toutes les roues sur le sol et conservez vos deux mains sur la poignée lorsque vous faites fonctionner le produit. Maintenez les mains et les pieds à distance des lames en rotation.
- N'inclinez pas le produit quand le moteur est mis en marche.
- Soyez prudent lorsque vous tirez le produit vers l'avant.
- Ne soulevez jamais le produit quand le moteur est mis en marche. Si vous devez soulever le produit, coupez d'abord le moteur et débranchez le câble d'allumage de la bougie.
- Ne marchez pas vers l'arrière lorsque vous utilisez le produit.
- Arrêtez le moteur lorsque vous vous déplacez à travers des zones exemptes d'herbe, par exemple des chemins de gravier, de pierre ou d'asphalte.
- Ne courez pas lorsque vous utilisez le produit et que le moteur est mis en marche. Vous devez toujours marcher lorsque vous utilisez le produit.
- Arrêtez le moteur avant de modifier la hauteur de coupe. N'effectuez jamais de réglages pendant que le moteur tourne.
- Ne quittez jamais le produit des yeux pendant que le moteur tourne. Arrêtez le moteur et assurez-vous que l'équipement de coupe ne tourne pas.

Sécurité du travail



AVERTISSEMENT: Lisez les instructions qui suivent avant d'utiliser le produit.

- Utilisez le produit uniquement pour couper les pelouses. Il est interdit d'utiliser le produit pour d'autres travaux.
- Utilisez un équipement de protection personnelle. Reportez-vous à la section *Équipement de protection individuelle à la page 133*.
- Assurez-vous que vous savez arrêter le moteur rapidement en cas d'urgence.
- Ne démarrez jamais le moteur dans un espace clos ou à proximité de matériaux inflammables. Les gaz d'échappement du moteur sont très chauds et peuvent contenir des étincelles pouvant provoquer un incendie.
- Faites fonctionner le produit uniquement si la lame et tous les couvercles sont fixés correctement. Une lame fixée de manière inadéquate risque de se détacher et de causer des blessures personnelles.
- Assurez-vous que la lame ne touche pas des objets tels que des pierres et des racines. Cela peut ne pas endommager la lame et tordre l'arbre du moteur. Un arbre tordu génère de fortes vibrations, il y a alors un risque important que la lame se détache.

Consignes de sécurité pour le fonctionnement

Équipement de protection individuelle



AVERTISSEMENT: Lisez les instructions qui suivent avant d'utiliser le produit.

- L'équipement de protection individuel ne protège pas complètement des blessures, mais il diminue la gravité des blessures en cas d'accident. Faites appel à votre revendeur pour vous aider à sélectionner l'équipement adéquat.
- Utilisez des protège-oreilles si le niveau sonore est supérieur à 85 dB.
- Portez des bottes ou chaussures antidérapantes à usage intensif. Ne portez pas de chaussures

ouvertes et ne soyez pas pieds nus lorsque vous utilisez le produit.

- Utilisez des pantalons longs et épais.
- Portez des gants de protection en cas de besoin, par exemple lorsque vous fixez, examinez ou nettoyez l'équipement de coupe.

Dispositifs de sécurité sur le produit



AVERTISSEMENT: lisez les instructions qui suivent avant d'utiliser le produit.

- N'utilisez pas un produit dont les dispositifs de sécurité sont endommagés ou ne fonctionnent pas correctement.
- Contrôlez les dispositifs de sécurité régulièrement. Si les dispositifs de sécurité sont endommagés ou ne fonctionnent pas correctement, contactez votre atelier spécialisé Husqvarna.
- N'apportez pas de modifications aux dispositifs de sécurité.

Pour contrôler le capot de coupe

Le capot de coupe réduit les vibrations dans le produit et réduit le risque de blessures provoquées par la lame.

- Examinez le capot de coupe pour vous assurer qu'il ne présente pas de dommages tels que des fissures.

Pour contrôler le carter de la courroie

Le carter de la courroie réduit le risque de blessures et s'assure qu'une courroie d'entraînement cassée ne s'éjecte pas.

- Assurez-vous que le carter de la courroie n'est pas endommagé et qu'il est correctement fixé. (Fig. 15)

Poignée de frein moteur

La poignée de freinage du moteur arrête le moteur. Lorsque la poignée de frein moteur est relâchée, le moteur s'arrête.

Pour inspecter le frein du moteur, démarrez le moteur, puis relâchez la poignée de freinage du moteur. Si le moteur ne s'arrête pas au bout de 3 secondes, demandez à un Husqvarna atelier spécialisé agréé de régler le frein moteur.

(Fig. 16)

Pour contrôler le système anti-vibrations



AVERTISSEMENT: Une exposition excessive aux vibrations peut entraîner des troubles circulatoires ou nerveux chez les personnes sujettes à des troubles cardiovasculaires. Consultez un médecin en cas de symptômes liés à une exposition excessive aux vibrations. Ces symptômes

peuvent être les suivants : insensibilisation ou irritation locale, douleur, chatouillements, faiblesse musculaire, décoloration ou modification cutanée. Ces symptômes affectent généralement les doigts, les mains ou les poignets.

Le système anti-vibrations réduit les vibrations dans la poignée pendant l'utilisation.

Le tube en acier dans le guidon et le capot de coupe réduisent les vibrations. Le KLIPPO LB 548SQe possède également 4 dispositifs anti-vibrations fixés au guidon.

- Examinez le guidon et les dispositifs anti-vibrations pour vous assurer qu'ils ne sont pas endommagés. (Fig. 17)

Support de lame

Le support de lame diminue le risque que l'arbre moteur se torde. Si la lame heurte un objet, elle se déplace contre le support de lame. Le mouvement provoque l'usure de la surface du support de lame. L'usure indique que la protection de l'arbre moteur fonctionne correctement.

Silencieux

Le silencieux est conçu pour réduire au maximum le niveau sonore et rejeter les gaz d'échappement loin du conducteur.

N'utilisez pas le produit si le silencieux est manquant ou défectueux. Un silencieux endommagé augmente le niveau sonore et le risque d'incendie.



AVERTISSEMENT: Le silencieux devient très chaud pendant et après utilisation et lorsque le moteur fonctionne au régime de ralenti. Soyez vigilant à proximité des matériaux inflammables et/ou des fumées pour prévenir tout risque d'incendie.

Pour contrôler le silencieux

- Examinez le silencieux régulièrement pour s'assurer qu'il est correctement fixé et qu'il n'est pas endommagé.

Sécurité carburant



AVERTISSEMENT: Lisez les instructions qui suivent avant d'utiliser le produit.

- Ne démarrez pas le produit si du carburant ou de l'huile moteur a été renversé(e) sur le produit. Essayez le carburant/l'huile et attendez que le produit sèche.
- Si vous avez renversé du carburant sur vos vêtements, changez de vêtements immédiatement.

- Évitez tout contact de la peau avec le carburant. Le carburant peut causer des blessures. Si votre peau entre en contact avec le carburant, lavez les parties qui ont été en contact avec de l'eau et du savon.
- Ne démarrez pas le produit s'il y a une fuite de moteur. Vérifiez régulièrement s'il y a des fuites de moteur.
- Faites attention avec le carburant. Le carburant est inflammable et ses vapeurs sont explosives. Il peut causer des blessures graves, voire mortelles.
- Ne respirez pas les vapeurs de carburant, elles peuvent causer des blessures. Assurez-vous que la ventilation est suffisante.
- Ne fumez pas à proximité du carburant ou du moteur.
- Ne mettez pas d'objets chauds à proximité du carburant ou du moteur.
- N'ajoutez pas de carburant lorsque le moteur est allumé.
- Assurez-vous que le moteur est froid avant de faire le plein de carburant.
- Avant de faire le plein, ouvrez le bouchon du réservoir de carburant lentement et relâchez la pression avec précaution.
- N'ajoutez pas de carburant au moteur dans un espace intérieur. Un débit d'air insuffisant peut causer des blessures graves, voire mortelles dues à une asphyxie ou au monoxyde de carbone.
- Serrez complètement le bouchon du réservoir de carburant. Si le bouchon du réservoir de carburant n'est pas serré, il y a un risque d'incendie.
- Déplacez le produit à un minimum de 3 m/10 ft de l'endroit où a été fait le plein de carburant avant de démarrer le produit.
- Ne remplissez pas entièrement le réservoir de carburant. La chaleur entraîne la dilatation du carburant. Laissez un espace en haut du réservoir de carburant.

Consignes de sécurité pour l'entretien



AVERTISSEMENT: Lisez les instructions qui suivent avant d'utiliser le produit.

- Les gaz d'échappement du moteur contiennent du monoxyde de carbone, un gaz inodore, toxique et très dangereux. Ne démarrez pas le moteur en intérieur ou dans des espaces fermés.
- Avant de procéder à l'entretien du produit, arrêtez le moteur et débranchez le câble d'allumage de la bougie.
- Utilisez des gants de protection lorsque vous procédez à l'entretien de l'équipement de coupe. La lame est très tranchante et des coupures peuvent survenir facilement.
- Les accessoires et les modifications apportées au produit qui ne sont pas approuvés par le fabricant peuvent causer des blessures très graves, voire mortelles. Ne modifiez pas le produit. Utilisez toujours des accessoires qui sont approuvés par le fabricant.
- Si l'entretien n'est pas effectué correctement et régulièrement, le risque de blessures et d'endommagement du produit augmente.
- Effectuez uniquement les tâches d'entretien décrites dans le présent manuel d'utilisation. Toutes les autres tâches d'entretien doivent être effectuées par un Husqvarna atelier spécialisé agréé.
- Demandez à un Husqvarna atelier spécialisé d'effectuer régulièrement l'entretien du produit.
- Remplacez les pièces endommagées, usées ou cassées.

Montage

Introduction



AVERTISSEMENT: Avant de monter le produit, vous devez lire et comprendre le chapitre sur la sécurité.



AVERTISSEMENT: Débranchez le câble d'allumage de la bougie avant de monter le produit.

Pour monter et régler la poignée

1. Retirez l'écrou de poignée et la rondelle de la plaque sur la poignée supérieure.
2. Placez la poignée supérieure en position sur le dessus de la poignée inférieure.



REMARQUE: Assurez-vous que les fils ne sont pas coincés ou endommagés.

3. Fixez la rondelle et l'écrou de la poignée. (Fig. 18)
4. Tournez la poignée sur le côté pour une bonne position de fonctionnement lorsque vous utilisez le produit près d'un mur. (Fig. 19)
5. Tournez les roulettes de réglage sur le châssis pour régler la poignée verticalement. (Fig. 20)

Pour assembler l'obturateur du broyeur (KLIPPO LB 448S, KLIPPO LB 448SQ, KLIPPO LB 548SQe)

1. Inclinez le produit vers l'arrière avec la bougie vers le haut.

- Placez les goupilles de l'obturateur de broyeur dans les trous du côté intérieur du capot de coupe. (Fig. 21)

- Fixez les vis de l'obturateur de broyeur par l'extérieur du capot de coupe. (Fig. 22)

Utilisation

Introduction



AVERTISSEMENT: Avant d'utiliser le produit, vous devez lire et comprendre le chapitre sur la sécurité.

Husqvarna Connect

Husqvarna Connect est une application gratuite pour votre appareil mobile. L'application Husqvarna Connect offre des fonctions étendues à votre produit Husqvarna :

- Informations produit détaillées.
- Informations et aide sur les pièces et l'entretien du produit.

Pour commencer à utiliser Husqvarna Connect

- Téléchargez l'application Husqvarna Connect sur votre appareil mobile.
- Enregistrez-vous sur l'application Husqvarna Connect.
- Suivez les instructions de l'application Husqvarna Connect pour vous connecter et enregistrer le produit.

Avant d'utiliser le produit

- Lisez attentivement le manuel d'utilisation et assurez-vous de bien comprendre les instructions.
- Examinez l'équipement de coupe pour vous assurer qu'il est bien fixé et réglé. Consultez la section *Pour inspecter l'équipement de coupe à la page 139*.
- Remplissez le réservoir de carburant. Consultez la section *Pour remplir le réservoir de carburant à la page 136*.
- Remplissez le réservoir d'huile et contrôlez le niveau d'huile. Consultez la section *Pour contrôler le niveau d'huile à la page 139*.

Pour remplir le réservoir de carburant

Si cela est possible, utilisez de l'essence d'alkylate/écologique. Si vous ne pouvez pas vous procurer de l'essence d'alkylate/écologique, utilisez l'essence sans plomb de bonne qualité ou d'essence dont le taux d'octane n'est pas inférieur à 90.



REMARQUE: N'utilisez pas d'essence avec un indice d'octane inférieur à 90 RON (87 AKI). Cela peut endommager le produit.

- Ouvrez lentement le couvercle du réservoir de carburant pour relâcher la pression.
- Remplissez lentement le réservoir à l'aide d'un bidon de carburant. Si vous renversez du carburant, essuyez-le à l'aide d'un chiffon et laissez le carburant restant sécher. (Fig. 23)
- Essuyez le pourtour du bouchon du réservoir de carburant.
- Serrez complètement le bouchon du réservoir de carburant. Si le bouchon du réservoir de carburant n'est pas serré, il y a un risque d'incendie.
- Déplacez le produit à un minimum de 3 m (10 ft) de l'endroit où a été fait le plein de carburant avant de démarrer le produit.

Pour régler la hauteur de coupe

La hauteur de coupe peut être réglée sur 6 niveaux.

- Déplacez le levier de hauteur de coupe vers l'avant pour augmenter la hauteur de coupe.
- Déplacez le levier de hauteur de coupe vers l'arrière pour diminuer la hauteur de coupe.



REMARQUE: La hauteur de coupe ne doit pas être réglée trop bas. Les lames peuvent toucher le sol si la surface de la pelouse n'est pas plane.

Pour démarrer le produit

- Assurez-vous que le câble d'allumage est branché sur la bougie.
- Ouvrir le robinet à carburant. (Fig. 24)
- Restez derrière le produit.
- Tenez la poignée de freinage du moteur contre le guidon. (Fig. 25)
- Tenez la poignée du câble du démarreur de votre main droite.
- Tirez lentement sur le câble du démarreur jusqu'à ce que vous sentiez une certaine résistance.
- Tirez avec force pour démarrer le moteur.



AVERTISSEMENT: N'enroulez pas le câble du démarreur autour de votre main.



REMARQUE: Ne tendez pas complètement le câble du démarreur. Ne relâchez pas la poignée du câble du démarreur lorsqu'elle est tendue.

Pour appliquer l'entraînement aux roues

- Poussez le levier d'entraînement vers le bas. (Fig. 26)
- Avant de tirer le produit vers l'arrière, désengagez l'entraînement et poussez le produit d'environ 10 cm vers l'avant.
- Desserrez la poignée du frein moteur sur une petite distance pour désengager l'entraînement, lorsque vous approchez d'un obstacle par exemple.

Pour arrêter le produit

- Pour arrêter l'entraînement uniquement, desserrez la poignée du frein moteur sur une petite distance.
- Pour arrêter le moteur, relâchez complètement la poignée du frein moteur.
- Fermez le robinet de carburant. (Fig. 27)

Pour obtenir de bons résultats

- Utilisez toujours une lame correctement affûtée. Une lame émoussée produit un résultat irrégulier et l'herbe jaunira à la surface de la coupe. De plus, une lame affûtée consomme moins d'énergie qu'une lame émoussée.

- Ne coupez pas plus d'un tiers de la longueur de l'herbe. Coupez d'abord avec une hauteur de coupe élevée. Examinez le résultat et abaissez la hauteur de coupe à un niveau convenable. Si l'herbe est très longue, tondez lentement, et deux fois si nécessaire.
- Tondez toujours dans différentes directions afin d'éviter de faire des lignes dans la pelouse.
- Assurez-vous que le carter de coupe reste propre. L'accumulation d'herbe et de saleté sur la face intérieure du carter de coupe peut réduire la qualité du résultat de coupe. Reportez-vous à la section *Pour nettoyer la partie extérieure du produit à la page 138.*

Entretien

Introduction



AVERTISSEMENT: Avant d'effectuer des travaux d'entretien, vous devez lire et comprendre le chapitre sur la sécurité.

Une formation spécifique est nécessaire pour effectuer tous les travaux d'entretien et de réparation du produit. Nous garantissons qu'il vous est possible d'obtenir des services de réparation et d'entretien effectués par des professionnels. Si votre revendeur n'est pas un atelier spécialisé, demandez-lui des informations à propos de l'atelier spécialisé le plus proche.

Pour des informations plus détaillées, reportez-vous à www.husqvarna.com.

Calendrier d'entretien

Les intervalles d'entretien sont calculés selon une utilisation quotidienne du produit. Les intervalles sont différents si le produit n'est pas utilisé tous les jours.

Pour les travaux d'entretien suivis d'un astérisque (*), consultez les instructions dans la section *Dispositifs de sécurité sur le produit à la page 134.*

Entretien	Tous les jours	Toutes les semaines	Mensuel
Procédez à une inspection générale	X		
Inspectez le niveau d'huile	X		
Nettoyez le produit	X		
Nettoyez le filtre à air	X		
Inspectez l'équipement de coupe	X		
Inspectez le capot de coupe*	X		
Inspectez la poignée de frein moteur*	X		

Entretien	Tous les jours	Toutes les semaines	Mensuel
Inspectez le silencieux*		X	
Inspectez la bougie		X	
Vérifiez que la courroie d'entraînement n'est pas endommagée			X
Nettoyez le carter d'engrenage			X
Pour KLIPPO LB 448S, KLIPPO LB 453S. Changez l'huile (la première fois après 5 h d'utilisation, puis toutes les 25 h d'utilisation et chaque année)			X
Pour KLIPPO LB 448SQ, KLIPPO LB 453SQ, KLIPPO LB 548SQe. Changez l'huile (la première fois après 5 h d'utilisation, puis toutes les 100 h d'utilisation et chaque année)			X
Remplacez le filtre à air			X
Inspectez le système de carburant			X
Inspectez et réglez l'entraînement (câble d'embrayage)			X

Pour faire une inspection générale

- Assurez-vous que l'ensemble des vis et des écrous du produit sont correctement serrés.

Pour nettoyer la partie extérieure du produit

- Utilisez une brosse pour enlever les feuilles, l'herbe et la saleté.
- Assurez-vous que la prise d'air sur le dessus du moteur n'est pas obstruée.
- N'utilisez pas de nettoyeur haute pression pour le nettoyage du produit.
- Si vous utilisez de l'eau pour nettoyer le produit, ne projetez jamais d'eau directement sur le moteur.

Pour nettoyer la surface interne du capot de coupe

- Placez le produit sur le côté, silencieux vers le bas.



REMARQUE: Si le produit est posé avec le filtre à air vers le bas, le moteur peut être endommagé.

- Lavez au jet la surface intérieure du capot de coupe.

Pour examiner la courroie d'entraînement et nettoyer le carter

- Retirez les 4 vis du carter de la courroie et enlevez le carter de la courroie. (Fig. 28)
- Examinez la courroie d'entraînement et la poulie de courroie pour vérifier qu'elles ne sont pas endommagées.

- Utilisez une brosse pour enlever les feuilles, l'herbe et les saletés du carter d'engrenage. (Fig. 29)

Pour remplacer et régler la courroie d'entraînement

- Retirez les 4 vis du carter de la courroie et enlevez le carter de la courroie. (Fig. 28)
- Placez un tournevis plat entre le chapeau de moyeu et la roue sur la roue avant droite du produit.
- Tournez le tournevis avec précaution pour retirer le chapeau de moyeu.
- Retirez le boulon de roue et la roue. (Fig. 30)
- Retirez la courroie d'entraînement des poulies de courroie.
- Assurez-vous que les poulies de courroie se déplacent facilement sur l'essieu.
- Si nécessaire, appliquez de l'huile pénétrante entre et derrière les poulies de courroie et lubrifiez l'axe.
- Installez une nouvelle courroie d'entraînement et fixez-la correctement au roulement à billes avant de régler la courroie d'entraînement. (Fig. 31)
- Déplacez le roulement à billes vers le haut ou vers le bas pour régler la courroie d'entraînement. (Fig. 32)

Remarque: Une courroie d'entraînement neuve s'allonge au fur et à mesure de l'utilisation. Réglez à nouveau la courroie d'entraînement après quelques heures de fonctionnement.

- Fixez le carter de la courroie.
- Utilisez le produit afin de vous assurer que la courroie d'entraînement est correctement installée et réglée.

Pour remplacer et régler la courroie centrale

1. Retirez la lame.

Remarque: Cette étape n'est pas nécessaire lorsque vous réglez uniquement la courroie centrale.

2. Desserrez les vis de réglage de quelques tours, mais ne les retirez pas. (Fig. 33)
3. Remplacez la courroie centrale et serrez modérément les vis de réglage.

Remarque: Cette étape n'est pas nécessaire lorsque vous réglez uniquement la courroie centrale.

4. Avancez ou reculez l'engrenage pour régler la courroie centrale. (Fig. 34)
5. Utilisez une balance suspendue pour vérifier la tension de la courroie centrale. La tension de la courroie est correcte lorsqu'elle peut se déplacer de 6 à 10 mm au centre. Cela équivaut à une traction de 3 kg. (Fig. 35)
6. Serrez les vis de réglage à fond à un couple de 3 Nm.
7. Utilisez le produit afin de vous assurer que la courroie d'entraînement est correctement installée et réglée.

Pour inspecter l'équipement de coupe



AVERTISSEMENT: Afin d'éviter tout démarrage accidentel, débranchez le câble d'allumage de la bougie.



AVERTISSEMENT: Utilisez des gants de protection lorsque vous procédez à l'entretien de l'équipement de coupe. La lame est très tranchante et des coupures peuvent survenir facilement.

1. Inspectez l'équipement de coupe afin de détecter d'éventuels dommages ou fissures. Remplacez toujours un équipement de coupe endommagé.
2. Inspectez la lame pour voir si elle est endommagée ou émoussée.

Remarque: Il est nécessaire d'équilibrer la lame après l'avoir affûtée. Demandez à un centre d'entretien d'affûter, de remplacer et d'équilibrer la lame. Si vous heurtez un obstacle qui entraîne l'arrêt du produit, remplacez la lame endommagée. Demandez au centre d'entretien d'évaluer si la lame peut être affûtée ou si elle doit être remplacée.

Pour remplacer la lame

1. Bloquez la lame avec un bloc en bois. (Fig. 36)

2. Déposez le boulon de lame, la rondelle ressort et la lame. (Fig. 37)
3. Examinez le support de lame et le boulon de lame pour voir s'ils sont endommagés.
 - a) Si vous remplacez la lame ou le support de lame, remplacez également le boulon de lame, la rondelle ressort et la rondelle de friction.
4. Examinez l'arbre du moteur pour vous assurer qu'il n'est pas tordu.
5. Lorsque vous fixez la nouvelle lame, assurez-vous que son tranchant est orienté en direction du capot de coupe. (Fig. 38)
6. Placez la rondelle de friction et la lame contre le support de lame. (Fig. 39)
7. Assurez-vous que la lame est alignée sur le centre de l'arbre moteur. (Fig. 40)
8. Bloquez la lame avec un bloc en bois. (Fig. 41)
9. Fixez la rondelle ressort, puis serrez le boulon à un couple de 80 Nm. (Fig. 42)
10. Déplacez la lame à la main et vérifiez qu'elle tourne librement.



AVERTISSEMENT: Utilisez des gants de protection. La lame est très tranchante et des coupures peuvent survenir facilement.

11. Démarrez le produit pour tester la lame. Si la lame n'est pas correctement fixée, le produit vibre ou le résultat de coupe n'est pas satisfaisant.

Pour contrôler le niveau d'huile



REMARQUE: Un niveau d'huile trop bas peut endommager le moteur. Contrôlez le niveau d'huile avant de démarrer le produit.

1. Placez le produit sur un sol plat.
2. Retirez le bouchon du réservoir d'huile et la jauge qui y est attachée.
3. Nettoyez l'huile sur la jauge.
4. Placez la jauge complètement dans le réservoir d'huile. Serrez le bouchon du réservoir d'huile pour vous assurer de connaître le véritable niveau d'huile.
5. Enlevez la jauge.
6. Inspectez le niveau d'huile sur la jauge.
7. Si le niveau d'huile est bas, faites l'appoint d'huile moteur et contrôlez à nouveau le niveau d'huile.

(Fig. 43)

Remarque: Utilisez un entonnoir pour éviter tout déversement.

Pour remplacer l'huile moteur



AVERTISSEMENT: L'huile moteur est très chaude juste après l'arrêt du moteur. Laissez le moteur refroidir avant de vidanger l'huile moteur. Si vous renversez de l'huile moteur sur votre peau, nettoyez avec de l'eau et du savon.

(Fig. 44)

1. Débranchez le câble d'allumage de la bougie.
2. Retirez le bouchon du réservoir d'huile.
3. Vidangez l'huile moteur.
 - a) Pour les modèles équipés d'un bouchon de vidange d'huile : Placez un récipient sous le bouchon de vidange d'huile pour recueillir l'huile moteur.
 - b) Pour les modèles sans bouchon de vidange d'huile ou s'il n'est pas possible de placer un récipient sous ce bouchon : Utilisez une pompe à huile (accessoire) pour vidanger l'huile moteur du réservoir d'huile.
4. Faites le plein avec de l'huile moteur neuve du type recommandé à la section *Caractéristiques techniques à la page 142*.
5. Contrôlez le niveau d'huile. Reportez-vous à la section *Pour contrôler le niveau d'huile à la page 139*.

Filtre à air

Remarque: Un filtre à air ayant servi longtemps ne peut pas être complètement nettoyé. Remplacez le filtre à air à intervalles réguliers. Remplacez toujours un filtre à air endommagé.

Pour déposer et installer le filtre à air (KLIPPO LB 488SQ, KLIPPO LB 453SQ, KLIPPO LB 548Qe)



AVERTISSEMENT: utilisez des gants de protection.

1. Poussez les attaches sur le couvercle du filtre à air.
2. Déposez avec précaution le couvercle du filtre à air (A) du moteur.
3. Retirez le filtre à air (B) et le filtre en mousse (C). (Fig. 45)
4. Vérifiez l'état du filtre à air. Remplacez le filtre à air s'il est endommagé.
5. Nettoyez et examinez le filtre à air. Reportez-vous à la section *Nettoyage du filtre à air (KLIPPO LB 448SQ, KLIPPO LB 453SQ, KLIPPO LB 548Qe) à la page 140*.

6. Effectuez l'installation en suivant les étapes dans l'ordre inverse.

Nettoyage du filtre à air (KLIPPO LB 448SQ, KLIPPO LB 453SQ, KLIPPO LB 548Qe)



REMARQUE: Ne faites pas tourner le moteur sans filtre à air fixé ou si le filtre à air est sale.



REMARQUE: Remplacez le filtre à air s'il est impossible de le nettoyer correctement ou s'il est endommagé. Un filtre à air endommagé endommage le moteur.

1. Appuyez sur les languettes de verrouillage (A), retirez le couvercle du filtre à air (B) et retirez le filtre à air (C). (Fig. 46)
2. Cognez le filtre à air contre une surface dure ou soufflez de l'air comprimé à travers le filtre à air du côté propre de ce dernier.



REMARQUE: N'utilisez pas de brosse pour éliminer la saleté, car cela pousse la saleté dans le filtre à air.

3. Nettoyez le support du filtre à air (D) et le couvercle de filtre à air avec un chiffon humide.



REMARQUE: Assurez-vous qu'aucune saleté ne pénètre dans le conduit d'air (E).

4. Installez le filtre à air. Veillez à assurer une bonne étanchéité entre le filtre à air et le support du filtre.
5. Installez le couvercle du filtre à air avec les languettes inférieures en premier.

Nettoyage du filtre à air (KLIPPO LB 448S, KLIPPO LB 453S)



REMARQUE: Ne faites pas tourner le moteur sans filtre à air fixé ou si le filtre à air est sale.



REMARQUE: Remplacez le filtre à air s'il est impossible de le nettoyer correctement ou s'il est endommagé. Un filtre à air endommagé endommage le moteur.

1. Appuyez sur les languettes de verrouillage (A), retirez le couvercle du filtre à air (B) et retirez le filtre à air (C). (Fig. 47)
2. Cognez le filtre à air contre une surface dure ou soufflez de l'air comprimé à travers le filtre à air du côté propre de ce dernier.



REMARQUE: N'utilisez pas de brosse pour éliminer la saleté, car cela pousse la saleté dans le filtre à air.

3. Nettoyez le support du filtre à air (D) et le couvercle de filtre à air avec un chiffon humide.



REMARQUE: Assurez-vous qu'aucune saleté ne pénètre dans le conduit d'air (E).

4. Installez le filtre à air. Veillez à assurer une bonne étanchéité entre le filtre à air et le support du filtre.
5. Installez le couvercle du filtre à air avec les languettes inférieures en premier.

Pour vérifier la bougie



REMARQUE: Utilisez toujours le type de bougie recommandé. Un type de bougie inadéquat peut endommager le produit.

- Inspectez la bougie si le moteur manque de puissance, n'est pas facile à démarrer ou ne fonctionne pas correctement lorsqu'il tourne au régime de ralenti.
- Afin de réduire le risque de matériaux indésirables présents sur les électrodes de la bougie, procédez comme suit :

- a) Assurez-vous que le régime de ralenti est correctement réglé.
 - b) Assurez-vous que le mélange de carburant est correct.
 - c) Assurez-vous que le filtre à air est propre.
- Si la bougie est encrassée, nettoyez-la et vérifiez que l'écartement des électrodes est correct ; reportez-vous à la section *Caractéristiques techniques à la page 142*. (Fig. 48)
 - Remplacez la bougie si nécessaire.

Pour examiner le système de carburant

- Examinez le couvercle du réservoir de carburant et le joint du couvercle du réservoir de carburant pour vous assurer qu'ils ne sont pas endommagés.
- Examinez le tuyau à carburant pour vous assurer qu'il n'y a pas de fuite. Si le tuyau à carburant est endommagé, demandez à un atelier spécialisé de le remplacer.

Pour régler le câble d'embrayage

Lorsque l'entraînement ralentit, vous devez régler le câble d'embrayage.

- Tournez la vis de réglage. (Fig. 49)

Le câble d'embrayage est correctement réglé lorsque le support du câble d'embrayage est aligné sur l'écran.

(Fig. 50)

Transport, entreposage et mise au rebut

Transport et stockage

- Pour le stocker et transporter le produit et le carburant, assurez-vous qu'il n'y a pas de fuite ou de vapeurs. Les étincelles ou les flammes nues produites par exemple par des appareils électriques ou chaudières peuvent provoquer un incendie.
- Utilisez uniquement des récipients homologués pour le transport et le stockage de carburant.
- Videz le réservoir de carburant avant de remiser le produit pendant une longue période. Mettez le carburant au rebut dans une déchetterie appropriée
- Sécurisez le produit lors de son transport pour éviter tout dommage ou accident.
- Conservez le produit dans un endroit verrouillé afin que des enfants ou personnes qui ne sont pas autorisées à l'utiliser ne puissent pas y avoir accès.

- Conservez le produit dans un endroit sec et à l'abri du gel.

Mise au rebut

- Respectez les consignes locales de recyclage et la réglementation en vigueur.
- Mettez au rebut tous les produits chimiques tels que l'huile moteur ou le carburant à un centre d'entretien ou à une déchetterie appropriée.
- Lorsque vous n'utilisez plus le produit, renvoyez-le à un Husqvarnaconcessionnaire ou mettez-le au rebut dans une déchetterie.

Caractéristiques techniques

Caractéristiques techniques

	KLIPPO LB 448S	KLIPPO LB 448SQ	KLIPPO LB 453S	KLIPPO LB 453SQ	KLIPPO LB 548SQe
Moteur					
Marque	Honda	Husqvarna	Honda	Husqvarna	Husqvarna
Modèle	GCVX-145	HS 166AP	GCVx-170	HS 166AP	HS 166AP
Type de moteur	Un cylindre, 4 temps, refroidissement par air forcé, OHV	Un cylindre, 4 temps, refroidissement par air forcé, OHV	Un cylindre, 4 temps, refroidissement par air forcé, OHV	Un cylindre, 4 temps, refroidissement par air forcé, OHV	Un cylindre, 4 temps, refroidissement par air forcé, OHV
Cylindrée, cm ³	145	166	166	166	166
Vitesse, tr/min	2 900	2 900	2 900	2 900	2 900
Puissance nominale du moteur, kW ⁴⁶	2,7	2,75	3,3	2,75	2,75
Système d'allumage					
Bougie	NGK BPR5ES	Husqvarna HQT-7	NGK BPR5ES	Husqvarna HQT-7	Husqvarna HQT-7
Écartement des électrodes, mm	0,7-0,8	0,7-0,8	0,7-0,8	0,7-0,8	0,7-0,8
Système de lubrification et de carburant					
Type de lubrification du moteur	Éclaboussures	Éclaboussures	Éclaboussures	Éclaboussures	Éclaboussures
Capacité du réservoir de carburant, en litres	0,9	1,5	0,9	1,5	1,5
Capacité du réservoir d'huile, en litres	0,5	0,5	0,55	0,5	0,5
Huile moteur ⁴⁷	Husqvarna SAE 30	Husqvarna SAE 30	Husqvarna SAE 30/ SAE 10W-30	Husqvarna SAE 30/ SAE 10W-30	Husqvarna SAE 30/ SAE 10W-30
Poids					
Réservoirs vides, en kg	30,5	32,5	33	33,5	34,5

⁴⁶ La puissance nominale du moteur indiquée est la puissance nette moyenne (à un régime spécifié) d'un moteur de production classique pour le modèle de moteur mesurée selon la norme SAE J1349/ISO1585. Les moteurs produits à grande échelle peuvent s'écarter de cette valeur. La puissance de sortie effective du moteur installé sur le produit fini dépend de la vitesse de fonctionnement, des conditions environnementales et d'autres valeurs.

⁴⁷ Si l'huile SAE-30 est utilisée à une température inférieure à +5 °C, elle risque de ne pas lubrifier suffisamment le moteur. Cela peut endommager le moteur. Reportez-vous à la section *Pour remplacer l'huile moteur à la page 140* afin de connaître l'huile appropriée pour les basses températures.

	KLIPPO LB 448S	KLIPPO LB 448SQ	KLIPPO LB 453S	KLIPPO LB 453SQ	KLIPPO LB 548SQe
Émissions sonores ⁴⁸					
Niveau de puissance acoustique mesuré, dB (A)	90	93	91	94	92
Niveau de puissance acoustique garanti L_{WA} , dB (A)	91	93	94	95	93
Niveaux sonores ⁴⁹					
Niveau de pression sonore à l'oreille de l'utilisateur, dB(A)	77	79	78	81	79
Niveaux de vibration, a_{hveq} ⁵⁰					
Poignée, m/s^2	4,5	4,2	5,3	6,4	4,0
Équipement de coupe					
Hauteur de coupe, mm	30-60	30-60	30-60	30-60	30-60
Largeur de coupe, mm	480	480	530	530	480
Lame	Broyeur - 48 cm 5028813-10	Broyeur - 48 cm 5028813-10	Broyeur - 53 cm 5028814-10	Broyeur - 53 cm 5028814-10	Broyeur - 48 cm 5028813-10
Entraînement					
Vitesse, en km/h	4,5	4,5	4,5	4,5	4,5

⁴⁸ Émissions sonores dans l'environnement mesurées comme puissance acoustique (L_{WA}) selon la directive européenne CE 2000/14/CE.

⁴⁹ Niveau de pression sonore conforme à la norme ISO 5395. Les données reportées pour le niveau de pression sonore montrent une dispersion statistique typique (déviations standard) de 1,2 dB (A).

⁵⁰ Niveau de vibrations conformément à la norme ISO 5395. Les données reportées pour le niveau de vibrations montrent une dispersion statistique typique (déviations standard) de 0,2 m/s^2 .

Déclaration de conformité

Déclaration de conformité EU

Nous, **Husqvarna AB**, SE-561 82 Huskvarna, Suède,
tél : +46-36-146500, déclarons sous notre entière
responsabilité que le produit :

Description	Tondeuse à gazon
Marque	Husqvarna
Type/Modèle	KLIPPO LB 448S, KLIPPO LB 453S, KLIPPO LB 448SQ, KLIPPO LB 453SQ, KLIPPO LB 548SQe
Identification	Les numéros de série à partir de 2022 et ultérieurs

est entièrement conforme à la réglementation et aux
directives de l'UE suivantes :

Directive/Réglementation	Description
2006/42/EC	« relative aux machines »
2014/30/UE	« relative à la compatibilité électromagnétique »
2000/14/EC	« relative aux émissions sonores dans l'environnement »
2011/65/UE	« relative à la limitation de l'utilisation de certaines substances dangereuses au sein d'équipements électriques et électroniques »

et que les normes et/ou les spécifications techniques
suivantes sont appliquées : EN ISO 5395-1:2013/
A1:2018, EN ISO 5395-2:2013/A1:2016/A2:2017, EN
ISO 14982:2009, EN IEC 63000:2018.

L'organisme notifié : 0404, RISE SMP Svensk
Maskinprovning AB, Box 4053, SE-904 03 Umeå,
Sweden, a certifié être conforme à la Directive du
Conseil 2000/14/CE, procédure d'évaluation de la
conformité : Annexe VI.

Pour toute information relative aux émissions sonores,
voir *Caractéristiques techniques à la page 142*.

Huskvarna, 2023-02-07



Claes Losdal, Directeur du développement/Articles de
jardinage, Husqvarna AB

Responsable de la documentation technique



Sadržaj

Uvod.....	145	Održavanje.....	150
Sigurnost.....	146	Prijevoz, spremanje i zbrinjavanje.....	154
Sastavljanje.....	149	Tehnički podaci.....	154
Rad.....	149	Izjava o sukladnosti.....	157

Uvod

Opis proizvoda

Proizvod je ručna rotacijska kosilica za travu koja upotrebljava funkciju BioClip® za rezanje trave u gnojivo.

Pregled proizvoda

(Sl. 1)

1. Ručka/upravljač
2. Ručica kočnice motora
3. Poluga pogona
4. Drška užeta pokretača
5. Čep za ulje
6. Štitnik remena
7. Prigušivač
8. Svjećica
9. Štitnik remena
10. Spremnik za gorivo
11. Poluga za podešavanje kuta ručice
12. Sustav za smanjivanje vibracija
13. Podešavanje sjajle spojke
14. Poluga za visinu rezanja
15. Ventil goriva
16. Filtar zraka
17. Pokrov noža
18. Opružna brtva
19. Vijak noža
20. Nož
21. Nosač noža
22. Priključak za malčiranje KLIPPO LB 448S, KLIPPO LB 448SQ, KLIPPO LB 548SQe
23. Korisnički priručnik

Simboli na proizvodu

- (Sl. 2) UPOZORENJE: Neoprezna ili nepravilna upotreba može uzrokovati ozljede ili smrt rukovatelja ili drugih osoba.
- (Sl. 3) Pažljivo pročitajte korisnički priručnik i prije korištenja dobro usvojite sadržaj.
- (Sl. 4) Pazite na izbačene predmete i odbijanja.

Namjena

Proizvod upotrebljavajte za rezanje trave. Proizvod nemojte upotrebljavati za druge zadatke.

- (Sl. 5) Osobe i životinje držite na sigurnoj udaljenosti od radnog područja.
- (Sl. 6) Prije popravaka ili održavanja zaustavite motor i uklonite kabel za paljenje.
- (Sl. 7) Upozorenje: Šake i stopala držite podalje od rotirajućih dijelova.
- (Sl. 8) Upozorenje: Ruke i stopala držite podalje od rotirajućeg noža.
- (Sl. 9) Ovaj je proizvod u suglasnosti je s važećim direktivama EZ-a.
- (Sl. 10) Ovaj je proizvod u skladu s važećim direktivama UK-a.
- (Sl. 11) Proizvod ispunjava mjerodavne direktive Euroazijske carinske unije. Vrijedi samo za KLIPPO LB 448S & KLIPPO LB 453S.
- (Sl. 12) Naljepnica emisije buke u okoliš u skladu s direktivama i propisima EU i UK te propisom Novog Južnog Walesa „Zaštita od radova u okolišu (kontrola buke) iz 2017“. Zajamčena razina jačine zvuka proizvoda naznačena je u *Tehnički podaci na stranici 154* i na naljepnici.

- (Sl. 13) Kôd koji se može skenirati.

Napomena: Drugi simboli/naljepnice na proizvodu odnose se na pravne zahtjeve za pojedina tržišta.

Naljepnica na proizvodu, samo za Australiju i Novi Zeland

- (Sl. 14)

Ruke i stopala držite podalje od rotirajućeg noža.

Standard za emisije Euro V.



UPOZORENJE: Petljanjem po motoru gubite pravo na odobrenje EU-a ovog proizvoda.

Pouzdanost proizvoda

Sukladno zakonima o pouzdanosti proizvoda nismo odgovorni za oštećenja uzrokovana našim proizvodima ako je:

- proizvod nepravilno popravljen
- proizvod popravljen dijelovima koje nije proizveo proizvođač ili nemaju odobrenje proizvođača
- proizvod ima dodatnu opremu koje nije proizveo proizvođač ili nemaju odobrenje proizvođača
- proizvod nije popravljen u odobrenom servisnom centru ili kod ovlaštene osobe.

Sigurnost

Sigurnosne definicije

Upozorenjima, oprezima i napomenama naglašavaju se posebno važni dijelovi priručnika.



UPOZORENJE: Koristi se kada nepoštivanje uputa iz priručnika može uzrokovati smrt ili ozljede rukovatelja ili promatrača.



OPREZ: Koristi se kada nepoštivanje uputa iz priručnika može uzrokovati oštećenje proizvoda ili drugih materijala u neposrednoj blizini.

Napomena: Koristi se prikaz neophodnih dodatnih informacija za zadanu situaciju.

Opće sigurnosne upute



UPOZORENJE: Prije upotrebe proizvoda pročitajte upute upozorenja u nastavku.

- Proizvod je opasan ako ga koristite nepravilno ili ako niste oprezni. Nepoštivanje sigurnosnih uputa može uzrokovati ozljede ili smrt.
- Proizvod tijekom rada proizvodi elektromagnetsko polje. To polje u određenim okolnostima može ometati aktivne ili pasivne medicinske implantate. Za smanjenje opasnosti od smrtonosne ozljede osobama s medicinskim implantatima prije korištenja uređaja preporučujemo obraćanje liječniku i proizvođaču medicinskog implantata.
- Uvijek budite pažljivi i razumni. Ako u posebnim situacijama niste sigurni u način upotrebe stroja, prije nastavka stanite i obratite se svom distributeru tvrtke Husqvarna.
- Imajte na umu kako se rukovatelj smatra odgovornim za nezgode koje uključuju druge osobe ili njihovo vlasništvo.

- Proizvod održavajte čistim. Znakovi i naljepnice moraju biti jasno čitljivi.
- Osobama dopustite upotrebu proizvoda samo ako su pročitali i usvojili sadržaj uputa za rukovanje.
- Djeci nemojte dopustiti upotrebu proizvoda.
- Djecu držite podalje od područja rada. Cijelo vrijeme mora biti prisutna odgovorna odrasla osoba.
- Osobama koje nisu upoznate s uputama nemojte dopustiti upotrebu proizvoda.
- Osobu smanjenih fizičkih ili mentalnih sposobnosti obavezno nadzirite tijekom uporabe proizvoda. Cijelo vrijeme mora biti prisutna odgovorna odrasla osoba.
- Proizvod nemojte upotrebljavati kada ste umorni, bolesni ili pod utjecajem alkohola, droge ili lijekova. To negativno utječe na vaš vid, pažnju, koordinaciju i prosudbu.
- Nemojte upotrebljavati proizvod koji je izmijenjen ili neispravan.
- Nemojte izmjenjivati proizvod ili ga upotrebljavati ako postoji mogućnost da je izmijenjen.
- Nemojte mijenjati prilagodbe za kontrolu brzine motora.

Sigurnost na radnom mjestu



UPOZORENJE: Prije korištenja proizvoda pročitajte upozoravajuće upute u nastavku.

- Prije upotrebe proizvoda iz radnog područja uklonite sve predmete poput grana, prutova i kamenja.
- Objekti koji udare u reznu opremu mogu biti izbačeni te uzrokovati ozljede ili oštećenja. Promatrače i životinje držite na sigurnoj udaljenosti od proizvoda.
- Proizvod nikada nemojte upotrebljavati u lošim vremenskim uvjetima kao što su magla, kiša, jak vjetar, intenzivna hladnoća i pri opasnosti od grmljavinskog nevremena. Upotreba proizvoda po lošem vremenu ili na vlažnim ili mokrim lokacijama je zamorna. Pri lošem vremenu mogu nastati opasni uvjeti, primjerice skliske površine.
- Pazite na osobe, predmete i situacije koje mogu onemogućiti siguran rad proizvoda.

- Pazite na prepreke poput korijenja, kamenja, prutova, jama i jaraka. Visoka trava može sakrivati prepreke.
- Košenje trave na nagibima može biti opasno. Proizvod nemojte upotrebljavati na tlu s nagibom većim od 15°.
- Proizvod upotrebljavajte poprečno preko nagiba. Nemojte se kretati prema gore i dolje.
- Oprezno prilazite skrivenim kutovima i predmetima koji onemogućavaju jasan pregled.

Sigurnost pri radu



UPOZORENJE: Prije korištenja proizvoda pročitajte upozoravajuće upute u nastavku.

- Proizvod upotrebljavajte samo za košenje travnjaka. Upotreba za druge zadatke nije dopuštena.
- Upotrebljavajte osobnu zaštitnu opremu. Pogledajte *Oprema za osobnu zaštitu na stranici 147*.
- Provjerite znate li brzo zaustaviti motor u slučaju nužde.
- Nikada nemojte pokretati motor u zatvorenom prostoru ili u blizini zapaljivog materijala. Ispušne pare motora vruće su i mogu sadržavati vruće iskre koje mogu uzrokovati požar.
- Proizvod upotrebljavajte samo ako su nož i svi štitnici pravilno postavljeni. Nepravilno postavljen nož može se otpustiti i uzrokovati osobne ozljede.
- Pazite da nožem ne udarate u predmete poput kamenja ili korijenja. Time možete oštetiti nož i saviti vratilo motora. Savijena osovina uzrokuje snažne vibracije i vrlo visoku opasnost od otpuštanja noža.
- Ako nožem udarite u predmet ili osjetite vibracije, odmah zaustavite proizvod. Odspojite kabel za paljenje od svjeće. Pregledajte je li proizvod oštećen. Popravite oštećenja ili popravak prepustite ovlaštenom serviseru.
- Ručicu kočnice motora nikada trajno nemojte pričvrstiti za ručku kada je motor u pogonu.
- Proizvod postavite na stabilnu, ravnu površinu i pokrenite ga. Noževi ne smiju udarati u tlo ili druge predmete.
- Tijekom rukovanja proizvodom obavezno budite iza njega.
- Tijekom rukovanja proizvodom svi kotači trebaju biti na tlu, a 2 ruke na ručki. Ruke i stopala držite podalje od rotirajućih noževa.
- Proizvod nemojte naginjati kada je motor pokrenut.
- Budite pažljivi pri povlačenju proizvoda unatrag.
- Proizvod nikada nemojte podizati kada je motor pokrenut. Ako proizvod morate podići, prvo zaustavite motor i odspojite kabel za paljenje od svjeće.
- Tijekom rada s proizvodom nemojte hodati unatrag.

- Zaustavite motor prilikom prelaska preko velikih površina bez trave, primjerice šljunčanih, kamenih i asfaltnih staza.
- Nemojte trčati s proizvodom kada je motor pokrenut. Obavezno hodajte tijekom rada s proizvodom.
- Prije promjene visine rezanja zaustavite motor. Nemojte provoditi prilagodbe s pokrenutim motorom.
- Proizvod s pokrenutim motorom ne ispuštajte iz vida. Zaustavite motor i provjerite je li rezna oprema zaustavljena.

Sigurnosne upute za rad

Oprema za osobnu zaštitu



UPOZORENJE: Prije uporabe proizvoda pročitajte upozoravajuće upute u nastavku.

- Oprema za osobnu zaštitu ne može u potpunosti spriječiti ozljede, no smanjuje stupanj ozljede u slučaju nezgode. Pri odabiru odgovarajuće opreme zatražite pomoć ovlaštenog trgovca.
- Upotrebljavajte zaštitu sluha ako je razina buka veća od 85 dB.
- Nosite čizme otporne na klizanje ili cipele za teške uvjete rada. Nemojte nositi otvorene cipele ili biti bos.
- Nosite teške, duge hlače.
- Prema potrebi nosite zaštitne rukavice, primjerice prilikom pričvršćivanja, pregleda ili čišćenja rezne opreme.

Sigurnosni uređaji za proizvod



UPOZORENJE: Prije upotrebe proizvoda pročitajte upozoravajuće upute u nastavku.

- Proizvod nemojte upotrebljavati sa sigurnosnim uređajima koji su oštećeni ili nisu ispravni.
- Redovito pregledavajte sigurnosne uređaje. Ako su sigurnosni uređaji oštećeni ili nisu ispravni, obratite se ovlaštenom serviseru tvrtke Husqvarna.
- Sigurnosne uređaje nije dopušteno izmjenjivati.

Provjera reznog poklopca

Rezni poklopac smanjuje vibriranje proizvoda te opasnost od ozljede nožem.

- Provjerite ima li na pokrovu noža oštećenja, primjerice napuklina.

Provjera štitnika remena

Štitnik remena smanjuje opasnost od ozljeda i onemogućuje izbacivanje puknutog pogonskog remena.

- Uvjerite se kako je štitnik remena neoštećen te pravilno pričvršćen. (Sl. 15)

Kočna poluga motora

Kočnom polugom motora zaustavljate motor. Motor se zaustavlja po otpuštanju kočne poluge motora.

Za pregled kočne poluge motora pokrenite motor i potom otpustite kočnu polugu motora. Ako se motor ne zaustavi za 3 sekunde, podesite kočnicu motora kod servisera tvrtke Husqvarna.

(Sl. 16)

Provjera sustava za smanjenje vibracija



UPOZORENJE: Preveliko izlaganje vibracijama može uzrokovati poremećaj cirkulacije ili oštećenje živčanog sustava kod osoba koji sa slabijom cirkulacijom. Ako imate simptome prevelikog izlaganja vibracijama, zatražite medicinsku pomoć. Ti simptomi uključuju trnce, gubitak osjećaja, bockanje, bolove, gubitak snage te promjene u boji ili stanju kože. Simptomi se uglavnom pojavljuju na prstima, rukama ili zglobovima.

Sustav za smanjenje vibracija smanjuje vibracije na rukama tijekom rada.

Čelična cijev na upravljaču i reznom poklopcu smanjuje vibriranje. I model KLIPPO LB 548SQe na upravljaču ima četiri montirane jedinice za ublažavanje vibracija.

- Provjerite jesu li upravljači i jedinice za ublažavanje vibracija neoštećeni. (Sl. 17)

Nosač noža

Nosač noža smanjuje opasnost od savijanja vratila motora. Ako nož udari u predmet, nož se pomiče prema nosaču noža. Pomak uzrokuje trošenje na površini nosača noža. Trošenje je znak ispravnosti zaštite vratila motora.

Prigušivač

Prigušivač razinu buke održava na minimumu i ispušne plinove usmjerava dalje od rukovatelja.

Nemojte upotrebljavati proizvod bez prigušivača ili s oštećenim prigušivačem. Oštećen prigušivač povećava razinu buke i opasnost od požara.



UPOZORENJE: Prigušivač se tijekom rada, nakon rada te kada motor pogonite u praznom hodu jako zagrije. Budite oprezni u blizini zapaljivih materijal i/ili para kako biste spriječili požar.

Provjera prigušivača

- Redovito provjeravajte je li prigušivač pravilno pričvršćen i neoštećen.

Sigurnost pri rukovanju s gorivom



UPOZORENJE: Prije korištenja proizvoda pročitajte upozoravajuće upute u nastavku.

- Nemojte pokretati proizvod ako u njemu ima goriva ili motornog ulja. Uklonite neželjeno gorivo/ulje i pričekajte na sušenje proizvoda.
- Ako gorivo proljetate po odjeći, odmah ju zamijenite.
- Gorivu nemojte dopustiti kontakt s tijelom jer može uzrokovati ozljede. Ako dođe do kontakta goriva s tijelom, sapunom i vodom isperite gorivo.
- Nemojte pokretati proizvod ako motor propušta. Redovito pregledavajte ima li na motoru propuštanja.
- Budite pažljivo s gorivom. Gorivo je zapaljivo, a pare su eksplozivne i mogu uzrokovati ozljede i smrt.
- Nemojte udisati pare goriva, one mogu uzrokovati ozljede. Osigurajte dovoljan protok zraka.
- U blizini goriva ili motora nemojte pušiti.
- U blizini goriva ili motora nemojte stavljati vruće predmete.
- Nemojte ulijevati gorivo kada je motor uključen.
- Prije ulijevanja goriva provjerite je li motor hladan.
- Prije ulijevanja goriva polako otvorite čep spremnika goriva i pažljivo ispustite tlak.
- Nemojte ulijevati gorivo u motor u zatvorenom prostoru. Nedovoljan protok zraka može uzrokovati ozljede ili smrt zbog gušenja ili trovanja ugljičnim monoksidom.
- Potpuno zategnite čep spremnika za gorivo. Ako čep spremnika za gorivo nije zategnut, postoji opasnost od požara.
- Prije pokretanja proizvod odmaknite najmanje 3 m / 10' od mjesta punjenja spremnika.
- Spremnik za gorivo nemojte puniti do kraja. Zagrijavanje uzrokuje širenje goriva. Ostavite mjesta pri vrhu spremnika za gorivo.

Sigurnosne upute za održavanje



UPOZORENJE: Prije korištenja proizvoda pročitajte upozoravajuće upute u nastavku.

- Ispušni plinovi iz motora sadrže ugljikov monoksid, vrlo opasan otrovni plin bez mirisa. Proizvod nemojte pokretati u zatvorenom ili uskom prostoru.
- Prije održavanja proizvoda zaustavite motor i odspojite kabel za paljenje od svjećice.
- Tijekom održavanja rezne opreme nosite zaštitne rukavice. Nož je vrlo oštar i lako dolazi do posjekotina.
- Dodatna oprema i izmjene proizvoda bez odobrenja proizvođača mogu uzrokovati ozbiljne ozljede ili smrt. Nemojte mijenjati proizvod. Obavezno upotrebljavajte dijelove s odobrenjem proizvođača.

- Ako se održavanje ne provodi ispravno i redovno, povećava se opasnost od ozljede i oštećenja proizvoda.
- Održavanje provodite isključivo prema uputama iz ovog priručnika za vlasnika. Sva druga servisiranja mora provoditi ovlašteni serviser tvrtke Husqvarna.
- Redovno servisirajte proizvod kod ovlaštenog servisera tvrtke Husqvarna.
- Zamijenite oštećene, istrošene ili polomljene dijelove.

Sastavljanje

Uvod



UPOZORENJE: Prije sastavljanja proizvoda morate pročitati i usvojiti poglavlje o sigurnosti.



UPOZORENJE: Prije sastavljanja proizvoda sa svječice uklonite kabel svječice.

Sastavljanje i podešavanje ručke

1. Uklonite maticu ručke i podlošku s ploče na gornjoj ručki.
2. Gornju ručku postavite u položaj iznad donje ručke.



OPREZ: Pazite da se žice ne zapetljaju ili oštete.

3. Postavite podlošku i maticu ručke. (Sl. 18)
4. Pri radu s proizvodom u blizini zida ručku okrenite na stranu prikladnu za rad. (Sl. 19)
5. Za okomito podešavanje ručke okrećite vijke za podešavanje na šasiji. (Sl. 20)

Sastavljanje priključka za sječku (KLIPPO LB 448S, KLIPPO LB 448SQ, KLIPPO LB 548SQe)

1. Proizvod nagnite unatrag tako da podignete svječicu.
2. Klinove priključka za sječku postavite u otvore s unutarnje strane reznog poklopca. (Sl. 21)
3. Pričvrstite vijke priključka za sječku s vanjske strane reznog poklopca. (Sl. 22)

Rad

Uvod



UPOZORENJE: Prije rada s proizvodom morate pročitati i usvojiti poglavlje o sigurnosti.

Husqvarna Connect

Husqvarna Connect besplatna je aplikacija za mobilni uređaj. Aplikacija Husqvarna Connect pruža vam dodatne funkcije za proizvod Husqvarna.

- Opširnije informacije o proizvodu.
- Dodatne informacije i pomoć za dijelove i servisiranje proizvoda.

Početak rada sa Husqvarna Connect

1. Preuzmite aplikaciju Husqvarna Connect na svoj mobilni uređaj.
2. Prijavite se na aplikaciju Husqvarna Connect.
3. Pratite upute u aplikaciji Husqvarna Connect kako biste se spojili i registrirali proizvod.

Prije rada s proizvodom

1. Pažljivo pročitajte korisnički priručnik i prije upotrebe dobro usvojite sadržaj.
2. Pregledajte reznu opremu i uvjerite se da je pravilno pričvršćena i podešena. Pogledajte *Za pregled rezne opreme na stranici 152*.
3. Napunite spremnik goriva. Pogledajte *Ulivanje goriva na stranici 149*.
4. Napunite spremnik za ulje i provjerite razinu ulja. Pogledajte *Provjera razine ulja na stranici 152*.

Ulivanje goriva

Ako je dostupno, upotrebljavajte benzin s niskim emisijama/alkilatni benzin. Ako benzin s niskim emisijama / alkilatni benzin nije dostupan, upotrijebite kvalitetno bezolovno gorivo ili olovno gorivo s oktanskim brojem koji je niži od 90.



OPREZ: Nemojte koristiti benzin s oktanskim brojem manjim od 90 RON (87 AKI). Tako možete oštetiti proizvod.

1. Čep spremnika goriva otvarajte polako kako biste otpustili tlak.

2. Punite polako pomoću kantice za gorivo. Ako prolijete gorivo, obrišite ga krpom i pričekajte na sušenje preostalog goriva. (Sl. 23)
3. Očistite područje oko čepa spremnika za gorivo.
4. Potpuno zategnite čep spremnika goriva. Ako čep spremnika goriva nije zategnut, postoji opasnost od požara.
5. Prije pokretanja proizvod odmaknite najmanje 3 m (10') od mjesta punjenja spremnika.

Postavljanje visine rezanja

Visina rezanja podesiva je na 6 razina.

1. Polugu za visinu rezanja pomaknite naprijed kako biste povećali visinu rezanja.
2. Polugu za visinu rezanja pomaknite unatrag kako biste smanjili visinu rezanja.



OPREZ: Visinu rezanja nemojte postaviti prenisko. Noževi mogu udariti u tlo ako površina travnjaka nije ravna.

Pokretanje proizvoda

1. Provjerite je li kabel za paljenje priključen na svjećicu.
2. Otvorite ventil goriva. (Sl. 24)
3. Stanite iza proizvoda.
4. Pritisnite kočnu polugu motora uz upravljač. (Sl. 25)
5. Ručicu užeta pokretača držite desnom rukom.
6. Polako izvlačite uže pokretača dok ne osjetite otpor.
7. Snažno povucite za pokretanje motora.



UPOZORENJE: Nikad ne omotavajte uže za paljenje oko šake.



OPREZ: Uže za paljenje nemojte potpuno izvlačiti. Nemojte ispuštati ručicu izvučenog užeta za paljenje.

Upotreba pogona na kotačima

- Pritisnite polugu pogona prema dolje. (Sl. 26)
- Prije povlačenja proizvoda unatrag odspojite pogon i gurnite proizvod prema naprijed za pribl. 10cm.
- Malo otpustite ručku kočnice motora kako biste odspojili pogon, primjerice kada se približavate prepreci.

Zaustavljanje proizvoda

- Kako biste zaustavili samo pogon, malo otpustite ručku kočnice motora.
- Za zaustavljanje motora potpuno opustite ručku kočnice motora.
- Zatvorite ventil goriva. (Sl. 27)

Za dobar ishod

- Uvijek upotrebljavajte oštar nož. Tup nož daje nepravilne rezultate, a rezana površina trave požuti. Oštar nož također troši manje energije od tupog.
- Nemojte rezati više od 1/3 od duljine trave. Prvo kosite s visoko postavljenom visinom za rezanje. Provjerite rezultat i spustite visinu rezanja na prihvatljivu razinu. Ako je trava vrlo dugačka, vozite polako i po potrebi kosite 2 puta.
- Svaki put kosite u drugom smjeru kako biste spriječili nastanak traka na travnjaku.
- Pokrov noža mora biti čist. Nakupine trave i prljavštine s unutarnje strane pokrova noža mogu umanjiti rezultate rezanja. Pogledajte *Za vanjsko čišćenje proizvoda na stranici 151*.

Održavanje

Uvod



UPOZORENJE: Prije održavanja morate pročitati i usvojiti poglavlje o sigurnosti.

Za sve radove servisiranja i održavanja na proizvodu potrebna je posebna obuka. Jamčimo dostupnost profesionalnih popravaka i servisa. Ako vaš distributer nije serviser, od njega zatražite informacije o najbližem serviseru.

Detaljnije informacije potražite pod www.husqvarna.com.

Raspored održavanja

Intervali održavanja izračunati su za dnevnu upotrebu proizvoda. Intervali se mijenjaju ako se proizvod ne upotrebljava svakodnevno.

Za održavanja označena s * pogledajte upute u *Sigurnosni uređaji za proizvod na stranici 147*.

Održavanje	Dnevno	Tjedno	Mjesečno
Provedite opći pregled	X		
Provjerite razinu ulja	X		

Održavanje	Dnevno	Tjedno	Mjesečno
Čišćenje proizvoda	X		
Očistite filter zraka.	X		
Pregledajte reznu opremu	X		
Pregledajte pokrov noža*	X		
Pregledajte ručicu kočnice motora*	X		
Pregledajte prigušivač*		X	
Pregledajte svjećicu		X	
Provjerite je li pogonski remen oštećen			X
Očistite kućište mjenjača			X
Za KLIPPO LB 448S, KLIPPO LB 453S. Zamijenite ulje (prvi put nakon 5 h upotrebe, potom nakon svakih 25 h upotrebe i svake godine)			X
Za KLIPPO LB 448SQ, KLIPPO LB 453SQ, KLIPPO LB 548SQe. Zamijenite ulje (prvi put nakon 5 h upotrebe, potom nakon svakih 100 h upotrebe i svake godine)			X
Zamijenite filter zraka			X
Pregledajte sustav goriva			X
Pregledajte i podesite pogon (sajla spojke)			X

Za opći pregled

- Provjerite jesu li sve matice i vijci na proizvodu pravilno pritegnuti.

Za vanjsko čišćenje proizvoda

- Četkom uklonite lišće, travu i onečišćenja.
- Provjerite prohodnost dovoda zraka na vrhu motora.
- Za čišćenje proizvoda nemojte koristiti visokotlačni stroj za pranje.
- Ako proizvod čistite vodom, nemojte izljevati vodu izravno na motor.

Za čišćenje unutarnje površine pokrova noža

1. Položite proizvod na bok s prigušivačem na donjoj strani.



OPREZ: Ako proizvod položite tako da je filter zraka na donjoj strani, možete oštetiti motor.

2. Unutarnju površinu pokrova noža isperite vodom.

Pregled pogonskog remena i čišćenje kućišta mjenjača

1. Uklonite četiri vijka sa štitnika remena i skinite štitnik remena. (Sl. 28)

2. Pregledajte jesu li pogonski remen i remenice remena neoštećeni.
3. Četkom uklonite lišće, travu i onečišćenja s kućišta mjenjača. (Sl. 29)

Zamjena i podešavanje pogonskog remena

1. Uklonite četiri vijka sa štitnika remena i skinite štitnik remena. (Sl. 28)
2. Umetnite ravni odvijlač između ratkape i kotača na desnom prednjem kotaču proizvoda.
3. Pažljivo zakrenite odvijlač kako biste uklonili ratkapu.
4. Uklonite vijak kotača i potom kotač. (Sl. 30)
5. Skinite pogonski remen s remenica remena.
6. Provjerite pomiču li se remenice remena lako na osovini.
7. Ako je potrebno, raspršite prodiruće ulje između i iza remenica remena i podmažite osovinu.
8. Ugradite novi pogonski remen i pravilno ga pričvrstite na kuglični ležaj prije podešavanja pogonskog remena. (Sl. 31)
9. Pomičite kuglični ležaj gore ili dolje kako biste podesiti pogonski remen. (Sl. 32)

Napomena: Novi pogonski remen produljuje se s upotrebom. Ponovno podesite pogonski remen nakon nekoliko radnih sati.

10. Pričvrstite štitnik remena.
11. Pogonite proizvod kako biste provjerili je li pogonski remen pravilno ugrađen i podešen.

Zamjena i podešavanje središnjeg remena

1. Uklonite nož.

Napomena: Ovaj korak nepotreban je ako samo podešavate središnji remen.

2. Otpustite vijke za podešavanje za nekoliko okretaja, no nemojte ih ukloniti. (Sl. 33)
3. Zamijenite središnji remen i umjereno zategnite vijke za podešavanje.

Napomena: Ovaj korak nepotreban je ako samo podešavate središnji remen.

4. Pomaknite opremu naprijed ili unatrag kako biste podesili središnji remen. (Sl. 34)
5. Dinamometrom provjerite zategnutost središnjeg remena. Remen je ispravno zategnut kada se u sredini pomiče za 6 – 10 mm. To je jednako opterećenju od 3 kg. (Sl. 35)
6. Zategnite vijke za podešavanje na zatezni moment od 3 Nm.
7. Pogonite proizvod kako biste provjerili je li pogonski remen pravilno ugrađen i podešen.

Za pregled rezne opreme



UPOZORENJE: Odvojite kabel za paljenje od svječice kako biste spriječili slučajno pokretanje.



UPOZORENJE: Tijekom održavanja rezne opreme nosite zaštitne rukavice. Nož je vrlo oštar i lako dolazi do posjekotina.

1. Pregledajte ima li na reznoj opremi oštećenja ili pukotina. Oštećenu reznu opremu obavezno zamijenite.
2. Pregledajte nož kako biste ustanovili je li oštećen ili tup.

Napomena: Nakon oštrenja nož je nužno uravnotežiti. Nož naoštrite, zamijenite i uravnotežite u servisnom centru. Ako se pri udaru u prepreku proizvod zaustavi, zamijenite oštećeni nož. Procjenu za oštrenje ili zamjenu noža prepustite servisnom centru.

Zamjena noža

1. Blokirate nož drvenim blokom. (Sl. 36)
2. Skinite vijak noža, podlošku opruge i nož. (Sl. 37)

3. Provjerite jesu li nosač noža i vijak noža neoštećeni.
 - a) Pri zamjeni noža ili nosača noža također zamijenite vijak noža, podlošku opruge i tarnu podlošku.
4. Pregledajte vratilo motora kako biste se uvjerali da je neoštećeno.
5. Savijene rubove pri postavljanju novog noža usmjerite prema reznom poklopcu. (Sl. 38)
6. Postanite tarnu podlošku i nož na nosač noža. (Sl. 39)
7. Nož morate poravnati sa središtem vratila motora. (Sl. 40)
8. Blokirate nož drvenim blokom. (Sl. 41)
9. Postavite elastični rasječni prsten i zategnite vijak na zatezni moment od 80 Nm. (Sl. 42)
10. Ručno povucite nož u krug kako biste provjerili okreće li se slobodno.



UPOZORENJE: Upotrijebite zaštitne rukavice. Nož je vrlo oštar i lako dolazi do posjekotina.

11. Pokrenite proizvod kako biste ispitili nož. Ako nož nije ispravno pričvršćen, proizvod vibrira ili ishod košenja nije zadovoljavajući.

Provjera razine ulja



OPREZ: Preniska razina ulja može uzrokovati oštećenje motora. Prije pokretanja proizvoda provjerite razinu ulja.

1. Postavite proizvod na ravno tlo.
2. Skinite čep spremnika za ulje s pričvršćenom šipkom za mjerenje ulja.
3. Očistite ulje sa šipke za mjerenje razine ulja.
4. Šipku za mjerenje razine ulja u potpunosti vratite u spremnik za ulje. Zategnite poklopac spremnika za ulje kako biste dobili ispravan prikaz razine ulja.
5. Uklonite šipku za mjerenje razine ulja.
6. Provjerite razinu ulja na šipci za mjerenje ulja.
7. Ako je razina ulja niska, napunite motornim uljem i ponovno provjerite razinu ulja.

(Sl. 43)

Napomena: Upotrijebite lijevak za ulje kako biste spriječili prosipanje.

Zamjena motornog ulja



UPOZORENJE: Motorno ulje vrlo je vruće neposredno nakon zaustavljanja motora. Prije ispuštanja motornog ulja

pričekajte da se ohladi. Ako motorno ulje prolijete po koži, očistite sapunom i vodom.

ga. Oštećen filter zraka uzrokuje oštećenje motora.

(Sl. 44)

1. Odvojite kabel za paljenje od svjeće.
2. Uklonite čep spremnika za ulje.
3. Ispraznite motorno ulje.
 - a) Za modele s čepom za ispuštanje ulja: Ispod čepa za ispuštanje ulja stavite posudu za skupljanje motornog ulja.
 - b) Za modele bez čepa za ispuštanje ulja ili ako nije moguće postaviti posudu ispod čepa za ispuštanje ulja: Uz pomoć pumpe za ulje (dodatna oprema) ispraznite motorno ulje iz spremnika za ulje.
4. Napunite novim motornim uljem preporučenim u *Tehnički podaci na stranici 154*.
5. Provjerite razinu ulja. Pogledajte *Provjera razine ulja na stranici 152*.

Filter zraka

Napomena: Dugo upotrebljavani filter zraka nije moguće u potpunosti očistiti. Filter zraka mijenjajte u redovnim intervalima. Oštećeni filter zraka obavezno zamijenite.

Uklanjanje i ugradnja filtra zraka (KLIPPO LB 488SQ, KLIPPO LB 453SQ, KLIPPO LB 548Qe)



UPOZORENJE: Nosite zaštitne rukavice.

1. Otpustite kopče na poklopcu filtra zraka.
2. S motora pažljivo uklonite poklopac filtra zraka (A).
3. Izvadite filtra zraka (B) i spužvasti filter (C). (Sl. 45)
4. Provjerite je filter zraka neoštećen. Oštećeni filter zraka zamijenite.
5. Očistite i pregledajte filter zraka. Pogledajte *Čišćenje filtra zraka (KLIPPO LB 448SQ, KLIPPO LB 453SQ, KLIPPO LB 548Qe) na stranici 153*.
6. Ugradite obrnutim redoslijedom.

Čišćenje filtra zraka (KLIPPO LB 448SQ, KLIPPO LB 453SQ, KLIPPO LB 548Qe)



OPREZ: Nemojte pogoniti motor bez filtra zraka ili sa zaprljanim filterom zraka.



OPREZ: Ako filter zraka ne možete potpuno očistiti ili ako je oštećen, zamijenite

1. Pritisnite jezičke zasuna (A), skinite poklopac filtra zraka (B) i izvadite filter zraka (C). (Sl. 46)
2. Filterom zraka udarajte o tvrdnu površinu ili ga ispušite komprimiranim zrakom sa čiste strane.



OPREZ: Za odstranjivanje prljavštine ne koristite se četkom jer to samo gura prljavštinu dublje u filter zraka.

3. Vlažnom krpom očistite držač filtra zraka (D) i poklopac filtra zraka.



OPREZ: Pazite da u zračni kanal (E) ne dospiju onečišćenja.

4. Ugradite filter zraka. Provjerite je li filter zraka u potpunosti brtvi uz nosač filtra zraka.
5. Ugradite poklopac filtra zraka prvo postavljajući donje jezičke.

Čišćenje filtra zraka (KLIPPO LB 448S, KLIPPO LB 453S)



OPREZ: Nemojte pogoniti motor bez filtra zraka ili sa zaprljanim filterom zraka.



OPREZ: Ako filter zraka ne možete potpuno očistiti ili ako je oštećen, zamijenite ga. Oštećeni filter zraka uzrokuje oštećenje motora.

1. Pritisnite jezičke zasuna (A), skinite poklopac filtra zraka (B) i izvadite filter zraka (C). (Sl. 47)
2. Filterom zraka udarajte o tvrdnu površinu ili ga ispušite komprimiranim zrakom sa čiste strane.



OPREZ: Za odstranjivanje prljavštine ne koristite se četkom jer to samo gura prljavštinu dublje u filter zraka.

3. Vlažnom krpom očistite držač filtra zraka (D) i poklopac filtra zraka.



OPREZ: Pazite da u zračni kanal (E) ne dospiju onečišćenja.

4. Ugradite filter zraka. Provjerite je li filter zraka u potpunosti brtvi uz nosač filtra zraka.
5. Ugradite poklopac filtra zraka prvo postavljajući donje jezičke.

Pregled svjeće



OPREZ: Uvijek koristite preporučenu vrstu svjeće. Neodgovarajuća vrsta svjeće može oštetiti proizvod.

- Ako motor nema snage, teško se pokreće ili ne radi ispravno u praznom hodu, pregledajte svjeću.
- Za smanjenje opasnosti od nepoželjnog materijala na elektrodama svjeće pratite sljedeće upute:
 - a) Provjerite je li broj okretaja pri praznom hodu pravilno podešen.
 - b) Provjerite ispravnost mješavine goriva.
 - c) Provjerite je li filter zraka čist.
- Ako je svjećica prljava, očistite je i provjerite ispravnost zazora elektroda, pogledajte *Tehnički podaci na stranici 154*. (Sl. 48)

- Ako je potrebno, zamijenite svjećicu.

Pregled sustav goriva

- Pregledajte čep spremnika za gorivo i brtvu čepa spremnika za gorivo i uvjerite se kako su neoštećeni.
- Pregledajte crijevo goriva kako biste se uvjerali da nema propuštanja. Ako je crijevo goriva oštećeno, zamijenite ga kod servisera.

Podešavanje sajle spojke

Ako pogon djeluje sporo, nužno je podesiti sajlu spojke.

- Okrećite vijak za podešavanje. (Sl. 49)

Sajla spojke pravilno je podešena kada je nosač sajle spojke poravnat s maticom.

(Sl. 50)

Prijevoz, spremanje i zbrinjavanje

Prijevoz i skladištenje

- Za prijevoz i skladištenje proizvoda i goriva uvjerite se kako nema propuštanja ili isparavanja. Iskre ili otvoren plamen, primjerice od električnih uređaja ili bojlera, mogu uzrokovati požar.
- Za prijevoz i skladištenje goriva obavezno upotrebljavajte odobrene spremnike.
- Prije dugotrajnog skladištenja proizvoda ispraznite spremnik za gorivo. Zbrinite gorivo na prikladnoj lokaciji za zbrinjavanje
- Čvrsto osigurajte proizvod za prijevoz kako biste spriječili oštećenja i nezgode.
- Proizvod čuvajte u zaključanom prostoru kako biste onemogućili pristup djeci ili osobama bez odobrenja.

- Proizvod skladištite u suhom prostoru bez mraza.

Odlaganje

- Poštujte lokalne zahtjeve za reciklažu i važeće propise.
- Sve kemikalije, poput motornog ulja ili goriva, zbrinite u servisnom centru ili na prikladnoj lokaciji za zbrinjavanje.
- Ako proizvod više ne upotrebljavate, pošaljite ga distributeru tvrtke Husqvarna ili ga zbrinite na lokaciji za reciklažu.

Tehnički podaci

Tehnički podaci

	KLIPPO LB 448S	KLIPPO LB 448SQ	KLIPPO LB 453S	KLIPPO LB 453SQ	KLIPPO LB 548SQe
Motor					
Marka	Honda	Husqvarna	Honda	Husqvarna	Husqvarna
Model	GCVX-145	HS 166AP	GCVx-170	HS 166AP	HS 166AP
Vrsta motora	Jednociлиндриčni, četverotaktni, prisilno atmosfersko hlađenje, OHV	Jednociлиндриčni, četverotaktni, prisilno atmosfersko hlađenje, OHV	Jednociлиндриčni, četverotaktni, prisilno atmosfersko hlađenje, OHV	Jednociлиндриčni, četverotaktni, prisilno atmosfersko hlađenje, OHV	Jednociлиндриčni, četverotaktni, prisilno atmosfersko hlađenje, OHV
Zapremnina, cm ³	145	166	166	166	166

	KLIPPO LB 448S	KLIPPO LB 448SQ	KLIPPO LB 453S	KLIPPO LB 453SQ	KLIPPO LB 548SQe
Brzina, o/min	2900	2900	2900	2900	2900
Nazivna izlazna snaga motora, kW ⁵¹	2,7	2,75	3,3	2,75	2,75
Sustav paljenja					
Svjećica	NGK BPR5ES	Husqvarna HQT-7	NGK BPR5ES	Husqvarna HQT-7	Husqvarna HQT-7
Razmak elektroda, mm	0,7 – 0,8	0,7 – 0,8	0,7 – 0,8	0,7 – 0,8	0,7 – 0,8
Sustav za gorivo i podmazivanje					
Vrsta podmazivanja motora	Raspršivanje	Raspršivanje	Raspršivanje	Raspršivanje	Raspršivanje
Zapremnina spremnika za gorivo, litre	0,9	1,5	0,9	1,5	1,5
Zapremnina spremnika ulja, litre	0,5	0,5	0,55	0,5	0,5
Motorno ulje ⁵²	Husqvarna SAE 30	Husqvarna SAE 30	Husqvarna SAE 30/SAE 10W-30	Husqvarna SAE 30/SAE 10W-30	Husqvarna SAE 30/SAE 10W-30
Težina					
S praznim spremnicima, kg	30,5	32,5	33.	33,5	34,5
Emisije buke⁵³					
Razina jačine zvuka, mjerena u dB (A)	90	93	91	94	92
Razina jačine zvuka, zajamčena L _{WA} dB (A)	91	93	94	95	93
Jačina zvuka⁵⁴					
Razine tlaka zvuka na uhu rukovatelja, dB (A)	77	79	78	81	79
Razine vibracija, a_{hveq}⁵⁵					
Ručica, m/s ²	4,5	4,2	5,3	6,4	4,0
Rezna oprema					
Visina rezanja, mm	30 – 60	30 – 60	30 – 60	30 – 60	30 – 60

⁵¹ Navedena nazivna snaga motora prosječna je neto izlazna snaga (pri navedenom broju okretaja u minuti) tipičnog serijskog motora za određeni model mjerena prema normi SAE J1349/ISO1585. Vrijednost se može razlikovati za motore za masovnu proizvodnju. Stvarna izlazna snaga motora ugrađenog u krajnji proizvod ovisi o radnoj brzini, uvjetima u okolišu i drugim vrijednostima.

⁵² Ako se ulje SAE-30 primjenjuje na temperaturama nižim od 5 °C, postoji opasnost od nedovoljnog podmazivanja motora. To može uzrokovati oštećenje motora. Pogledajte *Zamjena motornog ulja na stranici 152* za odgovarajuće ulje za niske temperature.

⁵³ Emisije buke u okoliš izmjerene kao jačina zvuka (L_{WA}) u skladu s Direktivom EZ 2000/14/EC.

⁵⁴ Razina tlaka zvuka u skladu s ISO 5395. Navedeni podaci za razinu pritiska zvuka uključuju tipično statističko raspršenje (standardno odstupanje) od 1,2 dB (A).

⁵⁵ Razina vibracija u skladu s ISO 5395. Podaci o razini vibracije pokazuju tipičnu statističku disperziju (standardnu devijaciju) od 0,2 m/s².

	KLIPPO LB 448S	KLIPPO LB 448SQ	KLIPPO LB 453S	KLIPPO LB 453SQ	KLIPPO LB 548SQe
Širina rezanja, mm	480	480	530	530	480
Nož	Malčiranje – 48 cm 5028813-10	Malčiranje – 48 cm 5028813-10	Malčiranje – 53 cm 5028814-10	Malčiranje – 53 cm 5028814-10	Malčiranje – 48 cm 5028813-10
Pogon					
Brzina u km/h	4,5	4,5	4,5	4,5	4,5

Izjava o sukladnosti

Izjava o sukladnosti za EU

Mi, **Husqvarna AB**, SE-561 82 Huskvarna, Švedska, tel.:
+46-36-146500, pod punom odgovornošću izjavljujemo
da proizvod:

Opis	Kosilica
Marka	Husqvarna
Vrsta/model	KLIPPO LB 448S, KLIPPO LB 453S, KLIPPO LB 448SQ, KLIPPO LB 453SQ, KLIPPO LB 548SQe
Identifikacija	Serijski brojevi iz 2022 i noviji

u potpunosti su sukladni sljedećim EU direktivama i
propisima:

Direktiva/propis	Opis
2006/42/EC	„o strojevima“
2014/30/EU	„koja se odnosi na elektromagnetsku kompatibilnost“
2000/14/EC	„koja se odnosi na emisije buke u okoliš“
2011/65/EU	„o ograničenoj upotrebi određenih opasnih tvari u električnoj i elektroničkoj opremi“

i primjenjuju se sljedeće norme i/ili tehničke
specifikacije: EN ISO 5395-1:2013/A1:2018, EN ISO
5395-2:2013/A1:2016/A2:2017, EN ISO 14982:2009, EN
IEC 63000:2018.

Prijavljeno tijelo: 0404, RISE SMP Svensk
Maskinprovning AB, Box 4053, SE-904 03 Umeå,
Sweden., certificiralo je sukladnost s Direktivom Vijeća
2000/14/EC, postupak kontrole kvalitete: Dodatak VI.

Informacije o emisiji buke potražite u odjeljku *Tehnički
podaci na stranici 154.*

Huskvarna, 2023-02-07



Claes Losdal, razvojni menadžer / proizvodi za vrtove,
Husqvarna AB

Osoba odgovorna za tehničku dokumentaciju



TARTALOMJEGYZÉK

Bevezető.....	158	Karbantartás.....	164
Biztonság.....	159	Szállítás, tárolás és ártalmatlanítás.....	168
Összeszerelés.....	162	Műszaki adatok.....	168
Üzemeltetés.....	162	Megfelelőségi nyilatkozat.....	170

Bevezető

Termékleírás

A termék egy gyalog kísért forgóképes fűnyíró, mely a(z) BioClip® technológia segítségével végzi el a fű trágyázásra való vágását.

A termék áttekintése

(ábra 1)

1. Fogantyú
2. Fékkar
3. Meghajtókar
4. Indítószinór fogantyúja
5. Olajbeöntő nyílás fedele
6. Szíjvédő burkolat
7. Kipufogódob
8. Gyújtógyertya
9. Szíjvédő burkolat
10. Üzemanyagtartály
11. A fogantyú szögének beállítására szolgáló kar
12. Rezgéscsillapító rendszer
13. A tengelykapcsoló bovden beállítása
14. Vágási magasságot szabályozó kar
15. Üzemanyagszelep
16. Légszűrő
17. Vágóburkolat
18. Rugóalátét
19. Késtartó csavar
20. Kés
21. Késtartó
22. Műlcsöző dugó KLIPPO LB 448S, KLIPPO LB 448SQ, KLIPPO LB 548SQe
23. Kezelői kézikönyv

A terméken található jelzések

- (ábra 2) FIGYELMEZTETÉS: A gondatlan vagy helytelen használat a kezelő vagy mások sérülését vagy halálát okozhatja.
- (ábra 3) Olvassa el figyelmesen a használati utasítást, és győződjön meg róla, hogy megértette azt, mielőtt a terméket használatba veszi.

Rendeltetésszerű használat

A termék fűnyírásra szolgál. Ne használja a terméket egyéb feladatokra.

(ábra 4) Legyen óvatos a kivetett és visszapattanó tárgyakkal.

(ábra 5) A személyeket és állatokat tartsa biztonságos távolságban a munkaterülettől.

(ábra 6) Javítás vagy karbantartás előtt állítsa le a motort, és vegye le a gyújtáskábelét.

(ábra 7) Figyelmeztetés: Tartsa távol kezét és lábát a forgó alkatrészekről.

(ábra 8) Figyelmeztetés: Tartsa távol kezét és lábát a forgó késektől.

(ábra 9) Ez a termék megfelel a vonatkozó EK irányelveknek.

(ábra 10) A termék megfelel a vonatkozó egyesült királyságbeli irányelveknek.

(ábra 11) Ez a termék megfelel az Eurázsiai Gazdasági Unió vonatkozó előírásainak. Csak erre érvényes: KLIPPO LB 448S & KLIPPO LB 453S.

(ábra 12) Az EU és az Egyesült Királyság irányelveinek és jogszabályainak, és New South Wales „Környezetben történő munkavégzés szabályozása (zajszabályozás), 2017” irányelvének megfelelő környezeti zajkibocsátási címke. A termék garantált hangteljesítményszintjére vonatkozó adatok megtalálhatók az alábbi részen: *Műszaki adatok 168. oldalon* és a címkén.

(ábra 13) Beolvasható kód.

Megjegyzés: A terméken található egyéb szimbólumok/matricák az adott piacra vonatkozó jogi követelményekre vonatkoznak.

A terméken található matrica, csak Ausztrália és Új-Zéland esetében

(ábra 14)

Tartsa távol kezét és lábát a forgó késektől.

Euro V. kibocsátási norma



FIGYELMEZTETÉS: A motor módosítása érvényteleníti a termékre vonatkozó európai uniós típusjóváhagyást.

Termékszavatosság

A termékszavatosságra vonatkozó jogszabályok értelmében nem vagyunk felelősek a termékeink által okozott károkért az alábbi esetekben:

- a termék javítását helytelenül végezték;
- a termék javítása nem a gyártótól származó vagy általa jóváhagyott alkatrészekkel történt;
- a terméket nem a gyártótól származó vagy általa jóváhagyott kiegészítővel szerelték fel;
- a termék javítását nem hivatalos szakszerviz vagy jóváhagyott egyéb szerviz végezte.

Biztonság

Biztonsági meghatározások

A figyelmeztetések, óvintézkedések és megjegyzések a használati utasítás kiemelten fontos részeire hívják fel a figyelmet.



FIGYELMEZTETÉS: Akkor használatos, ha a kézikönyv utasításainak be nem tartása esetén fennáll a kezelő vagy a közelben tartózkodók sérülésének vagy halálának veszélye.



VIGYÁZAT: Akkor használatos, ha a kézikönyv utasításainak be nem tartása esetén fennáll a vagyoni kár, illetve a termék vagy a környező terület károsodásának veszélye.

Megjegyzés: További információt biztosít az adott helyzetben szükséges tennivalókról.

Általános biztonsági utasítások



FIGYELMEZTETÉS: A termék használata előtt olvassa el az alábbi figyelmeztetéseket.

- Ez a termék veszélyes, ha helytelenül használja, vagy ha nem vigyáz. A biztonsági utasítások be nem tartása sérüléssel vagy halállal járhat.
- A termék működés közben elektromágneses mezőt hoz létre. Ez bizonyos körülmények esetén hatással lehet az aktív vagy passzív orvosi implantátumokra. A súlyos vagy halálos sérülés kockázatának csökkentése érdekében azt javasoljuk, hogy az orvosi implantátumot használó személyek a termék alkalmazása előtt kérjék ki orvosuk vagy az orvosi implantátum gyártójának tanácsát.

- Mindig megfontoltan és előrelátóan cselekedjen. Ha nem biztos benne, hogyan kell a terméket speciális helyzetben üzemeltetni, akkor hagyja abba a tevékenységet, és beszéljen a Husqvarna kereskedőjével a folytatás előtt.
- Ne feledje, hogy a kezelő felelős a másokat és a mások tulajdonát érő balesetekért is.
- Tartsa tisztán a terméket. Ügyeljen arra, hogy a jelek és címkek jól olvashatóak legyenek.
- Ne engedje, hogy használják a terméket, amíg nem gondoskodott róla, hogy elolvassák és megértsék a használati utasítás tartalmát.
- A terméket gyermekek nem használhatják.
- Tartsa távol a gyermekeket a munkavégzési területtől. Egy felelős felnőttnek mindig jelen kell lennie.
- Ne használja a terméket olyan személy, aki nem ismeri a kezelési utasítást.
- Csökkent fizikai vagy szellemi képességekkel rendelkező személy csak felügyelet mellett használhatja a terméket. Egy felelős felnőttnek mindig jelen kell lennie.
- Ne használja a terméket, ha fáradt, beteg, illetve alkohol, drog vagy gyógyszer hatása alatt áll. Ez negatív hatással van a látására, az éberségére, a koordinációjára és az ítéliképességére.
- Ne használja a sérült vagy nem megfelelően működő terméket.
- Ne változtassa meg a terméket, vagy ne használja, ha feltehetőleg valaki más változtatásokat hajtott végre rajta.
- Ne módosítson a motorfordulatszám-szabályozás beállításán.

A munkaterület biztonsága



FIGYELMEZTETÉS: A termék használata előtt olvassa el az alábbi figyelmeztetéseket.

- A termék használata előtt távolítsa el a különböző tárgyakat, például ágakat, gallyakat és köveket a munkaterületről.
- A vágószerszereknek ütköző tárgyak elrepülve személyek vagy tárgyak sérülését okozhatják. A közelben állókat és az állatokat tartsa biztonságos távolságban a terméktől.
- Ne használja a terméket rossz időben, például ködben, esőben, erős szélben, nagy hidegben, villámás veszélyes esetén. A termék rossz időjárási körülmények között vagy nyirkos, nedves helyeken történő használata fásasztó. A rossz időjárás veszélyes körülményeket, például csúszós felületeket okozhat.
- Ügyeljen az olyan személyekre, tárgyra és helyzetekre, amelyek akadályozzák a termék biztonságos üzemeltetését.
- Ügyeljen az olyan akadályokra, mint a gyökerek, kövek, gallyak, gödrök és árkok. A magas fű akadályokat rejtethet.
- A lejtőkön levő fű nyírása veszélyes lehet. Ne használja a terméket 15 foknál meredekebb lejtőn.
- Az emelkedőknél/lejtőkönél mindig oldalirányban működtesse a terméket. Ne haladjon felfelé vagy lefelé.
- Legyen körültekintő, ha olyan sarkok és tárgyak közelébe ér, amelyek gátolják a tiszta kilátást.

Munkabiztonság



FIGYELMEZTETÉS: A termék használata előtt olvassa el az alábbi figyelmeztetéseket.

- Ezt a terméket kizárólag füves pázsitok nyírására használja. A termék más feladatokra történő használata nem megengedett.
- Használjon személyi védőfelszerelést. Lásd: *Személyi védőfelszerelés 160. oldalon.*
- Mindenképpen legyen tisztában azzal, hogy vészhelyzet esetén hogyan kell gyorsan leállítani a motort.
- Soha ne indítsa el a motort zárt térben vagy gyúlékony anyag közelében. A motorból kijutó kipufogó füstök forrók és szikrákat tartalmazhatnak, amelyek tüzet okozhatnak.
- Ne használja a készüléket, hacsak a kés és az összes borítás nincs megfelelően rögzítve. A nem megfelelően rögzített kés kilazulhat, és személyi sérülést okozhat.
- Ügyeljen arra, hogy a kés ne ütközzön olyan tárgyakba, mint például kövek és gyökerek. Ez kárt tehet a késben, és meghajlíthatja a motor tengelyét. A meghajlott tengely erős rezgést okoz, és így nagyon nagy a kockázata annak, hogy a kés meglazul.
- Ha a kés valamilyen tárgynak ütközik vagy rezegni kezd, azonnal állítsa le a terméket. Húzza ki a gyújtáskabelt a gyújtógyertyából. Ellenőrizze,

hogy a termék sérülésmentes-e. Javítsa meg a sérüléseket, vagy végeztesse el a szakszervizzel a javításokat.

- Amikor a motor működésben van, soha ne rögzítse tartósan a fékkart a fogantyúhoz.
- Helyezze a terméket stabil, vízszintes felületre, és kapcsolja be. Gondoskodjon arról, hogy a kés ne ütközzön se a talajba, se egyéb tárgyakba.
- Mindig maradjon a termék mögött, amikor működteti.
- A termék üzemeltetése során minden kerék legyen a talajon, és tartsa két kézzel a fogantyút. Tartsa távol kezét és lábát a forgó késektől.
- Ne döntse meg a terméket, ha a motor jár.
- Legyen óvatos, amikor hátrafelé húzza a terméket.
- Soha ne emelje fel a terméket, ha a motor jár. Ha fel kell emelnie a terméket, előbb kapcsolja ki a motort, és válassza le a gyújtásvezetékét a gyújtógyertyáról.
- Ne sétáljon hátrafelé a termék működtetése során.
- Állítsa le a motort, ha olyan területeken halad át, ahol nincs fű, például kavicsos, kövezett és aszfaltozott járdák.
- Ne fusson a termékkel, ha a motor jár. Mindig sétáljon a termék működtetése során.
- Mielőtt megváltoztatná a vágási magasságot, állítsa le a motort. Soha ne végezzen beállításokat, amikor a motor jár.
- Soha ne hagyja a terméket felügyelet nélkül járó motor esetén. Állítsa le a motort és győződjön meg arról, hogy a vágószerszék nem forog.

Biztonsági utasítások az üzemeltetéshez

Személyi védőfelszerelés



FIGYELMEZTETÉS: A termék használata előtt olvassa el az alábbi figyelmeztetéseket.

- A személyi védőfelszerelés nem küszöböli ki teljes mértékben a sérülés kockázatát, de csökkenti a sérülés mértékét, ha bekövetkezik a baleset. A megfelelő felszerelés kiválasztásában kérje a kereskedő segítségét.
- 85 dB-nél magasabb zajszint esetén használjon hallásvédőt.
- Használjon nagy teherbírású, csúszásmentes bakancsot vagy cipőt. Ne használja nyitott cipőben vagy meztőláb a terméket.
- Viseljen vastag, hosszú szárú nadrágot.
- Viseljen védőkesztyűt, például a vágószerszék felhelyezésekor, ellenőrzésekor vagy tisztításakor.

Biztonsági eszközök a terméken



FIGYELMEZTETÉS: A termék használata előtt olvassa el az alábbi figyelmeztetéseket.

- Ne használja a terméket sérült vagy nem megfelelően működő biztonsági eszközökkel.
- Rendszeresen ellenőrizze a biztonsági eszközöket. Ha a biztonsági eszközök sérültek vagy nem működnek megfelelően, forduljon a Husqvarna szakszervizhez.
- Ne módosítsd a biztonsági eszközöket.

A vágóburkolat ellenőrzése

A vágóburkolat csökkenti a termék rezgését és a kés okozta sérülések kockázatát.

- Vizsgálja meg a vágóburkolatot, hogy nincs rajta sérülés, például repedés.

A szíjvédő burkolat ellenőrzése

A szíjvédő burkolat csökkenti a sérülések kockázatát, és gondoskodik arról, hogy az elszakadt hajtó ékszíj ne repülhessen le a termékről.

- Győződjön meg arról, hogy a szíjvédő burkolat sérülésmentes-e, és hogy megfelelően van-e felszerelve. (ábra 15)

Fékkár

A fékkár a motor leállítására szolgál. Ha elengedi a fékkart, a motor leáll.

A motorfék ellenőrzéséhez indítsa el a motort, majd engedje el a fékkart. Ha a motor 3 másodpercen belül nem áll le, állíttassa be egy hivatalos Husqvarna szakszervizben a motorféket.

(ábra 16)

A rezgéscsillapító rendszer ellenőrzése



FIGYELMEZTETÉS: Az erős rezgés a vérkeringési zavarokban szenvedő személyeknél ér- vagy idegsérüléseket okozhat. Forduljon orvoshoz, ha olyan tüneteket tapasztal, amelyek az erős rezgés hatására jöhetnek létre. Ezek a tünetek lehetnek többek között: zsibbadás, érzéskiesés, bizsergés, szúró érzés, fájdalom, erőtlenység, a bőr színének vagy felületének megváltozása. A tünetek többnyire az ujjakban, a kézben vagy a csuklóban jelentkeznek.

A rezgéscsillapító rendszer csökkenti a fogantyúk rezgését működés közben.

A fogantyúban található acélcső és a vágóburkolat csökkenti a rezgés erősségét. A KLIPPO LB 548SQe fogantyúja emellett 4 rögzített rezgéscsillapító egységgel is rendelkezik.

- Ellenőrizze, hogy nem található-e sérülés a fogantyún és a rezgéscsillapító egységeken. (ábra 17)

Késtámasz

A késtámasz csökkenti a motortengely elhajlásának kockázatát. Ha a kés valamilyen tárgyba ütközik, akkor a kés a késtámasznak ütődik. Ez a behatás a késtámasz felületének a kopásához vezet. A kopás azt jelzi, hogy a motortengely védelmét szolgáló mechanizmus megfelelően működik.

Kipufogódob

A kipufogódob minimálisra csökkenti a zajszintet, és elvezeti a kipufogógázokat a kezelő közeléből.

Hiányzó vagy hibás hangfogó esetén ne használja a terméket. A hibás kipufogódob növeli a zajszintet és a tűzveszélyt.



FIGYELMEZTETÉS:

A kipufogódob erősen felhevül használat közben és után, illetve, amikor a motor alapjáraton működik. Legyen óvatos gyúlékony anyagok és/vagy gőzök közelében a tűzveszély elkerülése érdekében.

A hangfogó ellenőrzése

- Rendszeresen ellenőrizze a kipufogódob megfelelő rögzítését és épségét.

Üzemanyaggal kapcsolatos biztonság



FIGYELMEZTETÉS: A termék használata előtt olvassa el az alábbi figyelmeztetéseket.

- Ne indítsa be a terméket, ha üzemanyag vagy motorolaj került rá. Távolítsa el a nem kívánt üzemanyagot/motorolajat és hagyja megszáradni a terméket.
- Ha a kiömlött üzemanyag a ruhájára csöppent, öltözzön át azonnal.
- Ügyeljen arra, hogy ne kerüljön üzemanyag a testére, mert az sérülést okozhat. Ha üzemanyag került a testére, távolítsa el szappannal és vízzel.
- Ne indítsa be a motort, ha szivárog a motor. Vizsgálja meg rendszeresen a motort szivárgás szempontjából.
- Bánjon óvatosan az üzemanyaggal. Az üzemanyag gyúlékony, a gőzei robbanásveszélyesek, ezért súlyos, akár végzetes sérülést is okozhat.
- Ne lélegezzen be az üzemanyag gőzeit, egészségkárosodást okozhatnak. Gondoskodjon megfelelő légáramlásról.
- Az üzemanyag vagy a motor közelében ne dohányozzon.
- Az üzemanyag vagy a motor közelébe ne tegyen forró tárgyakat.
- Ne tankoljon járó motornál.
- Várja meg a tankolással, amíg lehűl a motor.

- Tankolás előtt nyissa meg lassan a tanksapkát, engedje ki óvatosan a nyomást.
- Ne beltérben tankoljon. A nem elegendő mértékű légáramlás fulladás vagy szén-monoxid miatt egészségkárosodást, akár halált is okozhat.
- Húzza meg teljesen az üzemanyagtartály sapkáját. Ha az üzemanyagtartály sapkája nincs meghúzva, tűzveszélyt okozhat.
- Beindítás előtt vigye a terméket legalább 3 m távolságra a tankolás helyétől.
- Ne töltsen teljesen tele az üzemanyagtartályt. Hő hatására az üzemanyag kitágul. Hagyjon egy kis helyet az üzemanyagtartály tetejénél.

Biztonsági utasítások a karbantartáshoz



FIGYELMEZTETÉS: A termék használata előtt olvassa el az alábbi figyelmeztetéseket.

- A motorból származó kipufogógázok szén-monoxidot tartalmaznak, amely szagtalan, mérgező,

rendkívül veszélyes gáz. Ne indítsa be a motort beltérben vagy zárt helyen.

- A termék karbantartása előtt állítsa le a motort, és húzza ki a gyújtáskábelt a gyújtógyertyából.
- A vágószerszemet karbantartásakor használjon védőkesztyűt. A kés nagyon éles, könnyen megvághatja magát.
- A gyártó által nem jóváhagyott tartozékok és változtatások súlyos sérülést vagy halált okozhatnak. Ne végezzen módosításokat a terméken. Csak a gyártó által jóváhagyott tartozékokat használjon.
- Ha a karbantartást nem megfelelően és rendszeresen végezték el, nő a termék sérülésének és károsodásának kockázata.
- Csak a felhasználói kézikönyvben megadott karbantartást végezze el. Minden egyéb szervizelés csak hivatalos Husqvarna szervizműhely végezhet.
- Végeztesse a termék rendszeres szervizelését hivatalos Husqvarna szervizműhellyel.
- A sérült, kopott vagy törött alkatrészt cserélje ki.

Összeszerelés

Bevezető



FIGYELMEZTETÉS: A termék összeszerelése előtt el kell olvasnia és meg kell értenie a biztonságról szóló fejezetet.



FIGYELMEZTETÉS: A termék összeszerelése előtt távolítsa el a gyújtógyertya kábelét a gyújtógyertyából.

A fogantyú felszerelése és beállítása

1. Távolítsa el a fogantyúnyát és az alátétet a felső fogantyún található lemezről.
2. Helyezze a felső fogantyút az alsó fogantyúra.



VIGYÁZAT: Ügyeljen arra, hogy a vezetékek ne akadjanak be és ne sérüljenek meg.

3. Rögzítse az alátétet és a fogantyúnyát. (ábra 18)
4. Fal mentén történő használat esetén a fogantyú oldalra fordításával megfelelő működési pozícióba állíthatja a terméket. (ábra 19)
5. Fordítsa el a vázon található beállítókerekeket a fogantyú függőleges beállításához. (ábra 20)

A mulcsozó dugó összeszerelése (KLIPPO LB 448S, KLIPPO LB 448SQ, KLIPPO LB 548SQe)

1. Döntse hátra a terméket úgy, hogy a gyújtógyertya felfelé nézzen.
2. Illessze a mulcsozó dugó csapszegeit a nyílásokba a vágóburkolat belső oldala felől. (ábra 21)
3. Rögzítse a mulcsozó dugó csavarjait a vágóburkolat külső oldala felől. (ábra 22)

Üzemeltetés

Bevezető



FIGYELMEZTETÉS: A termék működtetése előtt el kell olvasnia és meg kell értenie a biztonságról szóló fejezetet.

Husqvarna Connect

A Husqvarna Connect egy ingyenes mobilalkalmazás. A Husqvarna Connect alkalmazás kibővített funkciókat biztosít Husqvarna termékéhez:

- Bővebb termékinformációk.
- Információk és segítség a termékalkatrészekkel és a szervizeléssel kapcsolatban.

A Husqvarna Connect használatának megkezdése

1. Töltse le a Husqvarna Connect alkalmazást mobileszközére.
2. Regisztráljon egy fiókot a Husqvarna Connect alkalmazásban.
3. A termék csatlakoztatásához és regisztrálásához kövesse a Husqvarna Connect alkalmazásban megjelenő utasításokat.

A termék működtetése előtt

1. Olvassa el figyelmesen a használati utasítást, és győződjön meg róla, hogy megértette azt.
2. Vizsgálja meg a vágószerkezetet, hogy megbizonyosodjon róla, hogy megfelelően van-e rögzítve és beállítva. Lásd *A vágószerkezet ellenőrzése 165. oldalon.*
3. Töltse fel az üzemanyagtartályt. Lásd *Tankolás 163. oldalon.*
4. Töltse fel az olajtartályt, és ellenőrizze az olajsintet. Lásd *Az olajsint ellenőrzése 166. oldalon.*

Tankolás

Ha elérhető, használjon környezetbarát/alkilat benzint. Ha környezetbarát/alkilat benzin nem áll rendelkezésre, használjon jó minőségű, legalább 90-es oktánszámú ólmentes vagy ólomtartalmú benzint.



VIGYÁZAT: Ne használjon 90 RON (87 AKI) oktánszámúnál gyengébb benzint. Ezzel kárt tehet a termékben.

1. Lassan nyissa ki az üzemanyagtartály sapkáját, hogy kiengedje a nyomást.
2. Töltsön fel lassan a tartályt az üzemanyagkannával. Ha kiömlött az üzemanyag, törölje le egy kendővel, és hagyja, hogy a megmaradt üzemanyag felszáradjon. (ábra 23)
3. Tartsa tisztán az üzemanyagtartály sapkájának környékét.
4. Húzza meg teljesen az üzemanyagtartály sapkáját. Ha az üzemanyagtartály sapkája nincs meghúzva, tűzveszélyt okozhat.
5. Vigye legalább 3 m (10 láb) távolságra a terméket a tankolás helyétől, mielőtt beindítaná.

A vágási magasság beállítása

A vágási magasság 6 különböző szintre állítható.

1. Mozgassa a vágási magasságot szabályozó kart előrefelé a vágási magasság növeléséhez.
2. Mozgassa a vágási magasságot szabályozó kart hátrafelé a vágási magasság csökkentéséhez.



VIGYÁZAT: Ne állítsa túl alacsonyra a vágási magasságot. A kések a talajba ütközhetnek, ha a pázsit felülete nem egyenletes.

A termék elindítása

1. Győződjön meg róla, hogy a gyújtáskábel csatlakozik a gyújtógyertyához.
2. Nyissa ki az üzemanyagszelepet. (ábra 24)
3. Maradjon a termék mögött.
4. Húzza a fékkart a fogantyúhoz. (ábra 25)
5. Fogja meg a berántókötél fogantyúját jobb kézzel.
6. Lassan húzza ki a berántókötelt, amíg ellenállást nem érez.
7. Erőteljes mozdulattal rántsa be a motort.



FIGYELMEZTETÉS: Ne tekerje a berántókötelt a keze köré.



VIGYÁZAT: Ne húzza ki teljesen a berántókötelt. A berántókötél kihúzását követően ne engedje el a kötél fogantyúját.

A kerekeken levő meghajtó használata

- Nyomja le a meghajtókart. (ábra 26)
- Mielőtt maga felé húzza a gépet, kapcsolja ki a meghajtást, és tolja előre a gépet kb. 10cm-re.
- Kissé engedje el a fékkart a meghajtás kikapcsolásához, például abban az esetben, ha akadály közelébe ér.

A termék leállítás

- Ha csak a meghajtást szeretné leállítani, kissé engedje el a fékkart.
- A motor leállításához teljesen engedje el a fékkart.
- Zárja el az üzemanyagszelepet. (ábra 27)

Megfelelő eredmény elérése

- Használjon mindig éles kést. A tompa kés egyetlen eredményt ad, és a fű vágási felülete megsárgul. Az éles kés egyben kevesebb energiát igényel, mint a tompa kés.
- Ne nyírjon le többet a fű hosszának $\frac{1}{3}$ -ánál. Először nagy vágási magasságot állítson be, és úgy nyírjon. Vizsgálja meg az eredményt, és csökkentse a vágási magasságot egy megfelelő szintre. Ha nagyon magas a fű, lassan és szükség esetén 2-szer nyírjon.
- Minden alkalommal más irányban haladjon, hogy ne alakuljanak ki sávok a pázsiton.

- Tartsa tisztán a vágóburkolatot. A vágóburkolat belső oldalán lerakódott fű és szennyeződés ronthatja a vágási eredményt. Lásd: *A termék külső tisztítása 164. oldalon.*

Karbantartás

Részletesebb információért lásd: www.husqvarna.com.

Bevezetés



FIGYELMEZTETÉS: Karbantartás előtt el kell olvasnia és meg kell értenie a biztonságról szóló fejezetet.

A gépen végzett minden szerviz- és javítási munkát szakképzettséget igényel. Garantáljuk a professzionális javítások és szervizelés lehetőségét. Ha márkakereskedője nem szervizműhely, forduljon hozzájuk a legközelebbi szervizműhellyel kapcsolatban.

Karbantartási terv

A karbantartási intervallumok meghatározásakor a termék napi használatát feltételeztük. Az intervallum változik, ha a terméket nem napi rendszerességgel használja.

A *-gal jelölt karbantartásokhoz az utasításokat lásd: *Biztonsági eszközök a terméken 160. oldalon.*

Karbantartás	Naponta	Hetente	Havi
Végezzen általános ellenőrzést	X		
Ellenőrizze az olajsintet	X		
Tisztítsa meg a terméket	X		
Tisztítsa ki a légszűrőt	X		
Ellenőrizze a vágószerkezetet	X		
Ellenőrizze a vágóburkolatot*	X		
Ellenőrizze a fékkart*	X		
Ellenőrizze a hangfogót*		X	
Ellenőrizze a gyújtógyertyát		X	
Ellenőrizze a hajtó ékszín épségét			X
Tisztítsa ki a sebváltóházat			X
A(z) KLIPPO LB 448S, KLIPPO LB 453S típus esetében. Cserélje ki az olajat (először 5 óra használat után, majd minden 25 óra használat után és évente)			X
A(z) KLIPPO LB 448SQ, KLIPPO LB 453SQ, KLIPPO LB 548SQe típus esetében. Cserélje ki az olajat (először 5 óra használat után, majd minden 100 óra használat után és évente)			X
Cserélje ki a levegőszűrőt			X
Ellenőrizze az üzemanyagrendszert			X
Ellenőrizze és állítsa be a hajtást (tengelykapcsoló vezeték)			X

Általános ellenőrzés

- Ellenőrizze, hogy az anyák és csavarok megfelelően meg vannak-e szorítva a terméken.

A termék külső tisztítása

- Kéfével távolítsa el a leveleket, a fűvet és az egyéb szennyeződéseket.
- Győződjön meg róla, hogy a motor tetején lévő levegőbeömlő nyílás nincs eltömődve.

- Ne használjon nagynyomású mosót a termék tisztításához.
- Ha vízzel tisztítja a terméket, ne irányítsa a vízugarat közvetlenül a motorra.

A vágóburkolat belső felületének tisztítása

1. Fordítsa a terméket az oldalára a hangfogóval lefelé.



VIGYÁZAT: Ha a terméket a légszűrővel lefelé fordítva állítja, a motor károsodhat.

2. Mossa le vízzel a vágóburkolat belső felületét.

A hajtó ékszíj ellenőrzése és a sebvártóház tisztítása

1. Távolítsa el a hajtó ékszíj 4 csavarját, és emelje le a szíjvédőt. (ábra 28)
2. Ellenőrizze a hajtó ékszíj és az ékszíjtárcsa épségét.
3. Távolítsa el a leveleket, fűvet és piszkot a hajtóműházból egy kefével. (ábra 29)

A hajtó ékszíj cseréje és beállítása

1. Távolítsa el a hajtó ékszíj 4 csavarját, és emelje le a szíjvédőt. (ábra 28)
2. Illesszen egy laposfejű csavarhúzó a termék jobb első kerekén lévő keréktárcsa és a kerék közé.
3. Óvatosan csavarja el a csavarhúzó a keréktárcsa eltávolításához.
4. Távolítsa el a kerékcsavart, és vegye le a kereket. (ábra 30)
5. Vegye le a hajtó ékszíjat az ékszíjtárcsáról.
6. Ellenőrizze, hogy az ékszíjtárcsák könnyedén mozognak-e a tengelyen.
7. Szükség esetén permetezzen penetráló olajat az ékszíjtárcsák közé és mögé, és kenje meg a tengelyt.
8. Helyezzen fel egy új hajtó ékszíjat, és a beállítás előtt ellenőrizze, hogy megfelelően illeszkedik-e a golyócsapágyhoz. (ábra 31)
9. A hajtó ékszíj beállításához mozdítsa a golyócsapágyat felfelé vagy lefelé. (ábra 32)

Megjegyzés: Az új hajtó ékszíj használat után megnyúlik. Néhány órányi működés után állítsa be újra a hajtó ékszíjat.

10. Szerelje fel a szíjvédő burkolatot.
11. A termék beindításával győződjön meg arról, hogy a hajtó ékszíj megfelelően van-e felhelyezve és beállítva.

A középső ékszíj cseréje és beállítása

1. Vegye le a kést.

Megjegyzés: Ha csak a középső ékszíj beállítását végzi el, ez a lépés nem szükséges.

2. Lazítsa meg a beállítócsavarokat néhány fordulattal, de ne távolítsa el őket. (ábra 33)
3. Cserélje ki a középső ékszíjat, és némileg szorítsa meg a beállítócsavarokat.

Megjegyzés: Ha csak a középső ékszíj beállítását végzi el, ez a lépés nem szükséges.

4. Tolja a sebvártót előre vagy hátra a középső ékszíj beállításához. (ábra 34)
5. Ellenőrizze a középső ékszíj feszességét egy rugós mérleg segítségével. A feszesség akkor megfelelő, ha az ékszíj közepén el tud mozdulni 6–10 mm-re. Ez 3 kg-os húzásnak felel meg. (ábra 35)
6. Húzza meg teljesen a beállítócsavarokat 3 Nm nyomatékkal.
7. A termék beindításával győződjön meg arról, hogy a hajtó ékszíj megfelelően van-e felhelyezve és beállítva.

A vágószerkezet ellenőrzése



FIGYELMEZTETÉS: A termék véletlen elindítását elkerülendő, húzza ki a gyújtáskábelt a gyújtógyertyából.



FIGYELMEZTETÉS: A vágószerkezet karbantartásakor használjon védőkesztyűt. A kés nagyon éles, könnyen megvághatja magát.

1. Ellenőrizze a vágószerkezetet sérülés, repedés szempontjából. Mindig cserélje ki a sérült vágószerkezetet.
2. Nézze meg a kést, hogy sérült-e vagy tompa-e.

Megjegyzés: A kés élezését követően ki kell egyensúlyozni. Végeztesse a kés élezését, cseréljét és kiegyensúlyozását szervizközponttal. Ha olyan akadályba ütközött, amely megállította a terméket, cserélje ki a sérült kést. Vizsgáltsa meg a szervizközpontban, hogy élezhető-e a kés, vagy pedig cserét igényel-e.

A kés cseréje

1. Rögzítse a kést egy fadarabbal. (ábra 36)
2. Távolítsa el a késtartó csavart, a rugós alátétet és a kést. (ábra 37)
3. Ellenőrizze, hogy a késtámasz és a késtartó csavar nem sérült-e meg.
 - a) A kés vagy a késtámasz cseréje esetén a késtartó csavart, a rugós alátétet és a súrlódótárcsát is ki kell cserélni.

- Ellenőrizze a motor tengelyét, hogy nincs-e meghajolva.
- Az új kés rögzítésekor ügyeljen arra, hogy a hajlított végek a vágóburkolat felé nézzenek. (ábra 38)
- Helyezze a súrlódótárcsát és a kést a késtámaszhoz. (ábra 39)
- Győződjön meg róla, hogy a kés igazodik-e a motortengely középpontjához. (ábra 40)
- Rögzítse a kést egy fadarabbal. (ábra 41)
- Helyezze fel a rugós alátétet, és húzza meg a csavart 80 Nm nyomatékkal. (ábra 42)
- Forgassa meg a kést kézzel, és figyelje, hogy szabadon forog-e.



FIGYELMEZTETÉS:

Használjon védőkesztyűt. A kés nagyon éles, könnyen megvághatja magát.

- Indítsa be a terméket, hogy tesztelje a kést. Ha a kés nincs megfelelően rögzítve, a termékben rezgés tapasztalható, vagy a vágási eredmény nem kielégítő.

Az olajsint ellenőrzése



VIGYÁZAT: Ha az olajsint túlságosan alacsony, kár keletkezhet a motorban. Ellenőrizze az olajsintet, mielőtt elindítja a terméket.

- Helyezze a terméket vízszintes talajra.
- Vegye le az olajtartály sapkáját a rögzített nivópálcával együtt.
- Törölje le a nivópálcáról az olajat.
- Helyezze teljesen a nivópálcát az olajtartályba. Húzza meg az olajtartály sapkáját, hogy biztosan jól felmérhető legyen az olajsint.
- Vegye ki a nivópálcát.
- Vizsgálja meg az olajsintet a nivópálcán.
- Ha az olajsint alacsony, töltsse fel a tartályt motorolajjal, és ellenőrizze újra az olajsintet.

(ábra 43)

Megjegyzés: Használjon egy tölcserőt az olaj melléőmlésének megelőzéséhez.

A motorolaj cseréje



FIGYELMEZTETÉS: A motorolaj rendkívül forró közvetlenül a motor leállítását követően. Várja meg, amíg lehűl a motor, mielőtt leereszti a motorolajat. Ha motorolaj kerül a bőrére, vízzel és szappannal mossa le.

(ábra 44)

- Húzza ki a gyújtáskábel a gyújtógyertyából.
- Vegye le az olajtartály sapkáját.
- Eressze le a motorolajat.
 - Olajleeresztő csavarral rendelkező típusok esetén: Tegyen egy tartályt az olajleeresztő csavar alá, hogy a motorolajat összegyűjtse.
 - Olajleeresztő csavar nélküli típusok esetén, vagy ha nem lehet az olajleeresztő csavar alá tenni egy tartályt: Egy olajszivattyúval (kiegészítő) eressze le a motorolajat az olajtartályból.
- Töltsse fel az olajtartályt az alábbi részben ajánlott típusú, új motorolajjal: *Műszaki adatok 168. oldalon.*
- Ellenőrizze az olajsintet. Lásd: *Az olajsint ellenőrzése 166. oldalon.*

Légszűrő

Megjegyzés: A hosszú ideje használt légszűrőt nem lehet teljesen kitisztítani. A légszűrőt rendszeres időközönként cserélje ki. Mindig cserélje ki a sérült levegőszűrőt.

A levegőszűrő eltávolítása és felszerelése (KLIPPO LB 488SQ, KLIPPO LB 453SQ, KLIPPO LB 548Qe)



FIGYELMEZTETÉS: Használjon védőkesztyűt.

- Nyomja be a légszűrő fedelén található füleket.
- Óvatosan távolítsa el a légszűrő fedelét (A) a motorról.
- Távolítsa el a levegőszűrőt (B) és a habszivacs szűrőt (C). (ábra 45)
- Ellenőrizze, hogy nem károsodott-e a légszűrő. Cserélje ki a sérült levegőszűrőt.
- Tisztítsa meg és ellenőrizze a levegőszűrőt. Lásd: *A levegőszűrő megtisztítása (KLIPPO LB 448SQ, KLIPPO LB 453SQ, KLIPPO LB 548Qe) 166. oldalon.*
- A beszerelést fordított sorrendben végezze el.

A levegőszűrő megtisztítása (KLIPPO LB 448SQ, KLIPPO LB 453SQ, KLIPPO LB 548Qe)



VIGYÁZAT: Ne működtesse a motort levegőszűrő nélkül vagy piszkos levegőszűrővel.



VIGYÁZAT: Ha a légszűrő sérült vagy nem sikerül teljesen megtisztítani,

cserélje ki. A sérült levegőszűrő károsíthatja a motort.

1. Nyomja le a reteszelőfüleket (A), majd távolítsa el a levegőszűrő fedelét (B) és a levegőszűrőt (C). (ábra 46)
2. Ütögesse a levegőszűrőt egy kemény felületnek, vagy fúvassa ki sűrített levegővel a szűrő tiszta oldala felől.



VIGYÁZAT: A szennyeződések eltávolításához ne használjon keféket, ezzel ugyanis benyomja a szennyeződések a levegőszűrőbe.

3. Tisztítsa meg a levegőszűrő-tartót (D) és a levegőszűrő fedelét egy nedves ruhával.



VIGYÁZAT: Ügyeljen arra, hogy ne kerüljön szennyeződés a légcsatornába (E).

4. Szerelje be a légszűrőt. Győződjön meg arról, hogy a szűrő szorosan illeszkedik a levegőszűrő-tartóba.
5. Helyezze fel a levegőszűrő fedelét, kezdve az alsó fülekkel.

A levegőszűrő megtisztítása (KLIPPO LB 448S, KLIPPO LB 453S)



VIGYÁZAT: Ne működtesse a motort levegőszűrő nélkül vagy piszkos levegőszűrővel.



VIGYÁZAT: Ha a légszűrő sérült vagy nem sikerül teljesen megtisztítani, cserélje ki. A sérült levegőszűrő károsíthatja a motort.

1. Nyomja le a reteszelőfüleket (A), majd távolítsa el a levegőszűrő fedelét (B) és a levegőszűrőt (C). (ábra 47)
2. Ütögesse a levegőszűrőt egy kemény felületnek, vagy fúvassa ki sűrített levegővel a szűrő tiszta oldala felől.



VIGYÁZAT: A szennyeződések eltávolításához ne használjon

keféket, ezzel ugyanis benyomja a szennyeződések a levegőszűrőbe.

3. Tisztítsa meg a levegőszűrő-tartót (D) és a levegőszűrő fedelét egy nedves ruhával.



VIGYÁZAT: Ügyeljen arra, hogy ne kerüljön szennyeződés a légcsatornába (E).

4. Szerelje be a légszűrőt. Győződjön meg arról, hogy a szűrő szorosan illeszkedik a levegőszűrő-tartóba.
5. Helyezze fel a levegőszűrő fedelét, kezdve az alsó fülekkel.

A gyújtógyertya ellenőrzése.



VIGYÁZAT: Használja mindig az előírt típusú gyújtógyertyát. A nem megfelelő gyújtógyertya károsíthatja a terméket.

- Vizsgálja meg a gyújtógyertyát, ha gyenge a motor, nehezen indul, vagy egyenetlen az alapjárata.
- A gyújtógyertya elektródái közötti lerakódások kialakulásának csökkentése érdekében tartsa be az alábbi utasításokat:
 - a) gondoskodjon az alapjáratú fordulatszám megfelelő beállításáról;
 - b) gondoskodjon a megfelelő üzemanyag-keverékről;
 - c) gondoskodjon a levegőszűrő tisztaságáról.
- Ha a gyújtógyertya piszkos, tisztítsa meg, és ellenőrizze, hogy a szikraköz megfelelő-e, lásd: *Műszaki adatok 168. oldal*on. (ábra 48)
- Szükség esetén cserélje ki a gyújtógyertyát.

Az üzemanyagrendszer ellenőrzése

- Vizsgálja meg az üzemanyagtartály sapkáját és a sapka tömítését, hogy ellenőrizze, nincs-e megsérülve.
- Vizsgálja meg az üzemanyag-vezetékét, hogy ellenőrizze, nincs-e szivárgás. Ha az üzemanyag-vezeték sérült, cseréltesse ki egy szervizműhellyel.

A tengelykapcsoló bovdén beállítása

Ha a hajtás lassúnak tűnik, akkor be kell állítani a tengelykapcsoló bovdent.

- Fordítsa el a beállítócsavart. (ábra 49)

A tengelykapcsoló bovdén beállítása akkor megfelelő, ha a bovdén rögzítője az anyacsavarhoz igazodik.

(ábra 50)

Szállítás, tárolás és ártalmatlanítás

Szállítás és raktározás

- A termék és az üzemanyag tárolásához és szállításához győződjön meg róla, hogy nincsenek szivárgások vagy gőzök. Szikra vagy nyílt láng, például elektromos készülékektől vagy kazánoktól, tüzet okozhat.
- Mindig engedélyezett tartályokat használjon az üzemanyag tárolására és szállítására.
- Ha a terméket hosszabb ideig tárolja, ürítse ki az üzemanyagtartályt. A felesleges üzemanyagot adja le egy erre kijelölt gyűjtőpontra.
- Biztonságosan rögzítse a terméket szállítás során, a sérülés és baleset elkerülése érdekében.
- Tartsa a terméket zárható helyen, ahol gyermek vagy jogosulatlan személy nem férhet hozzá.

- Tartsa a terméket száraz és fagymentes helyen.

Hulladékkezelés

- Kövesse a helyi újrahasznosítási előírásokat és a vonatkozó szabályozásokat.
- A használt vagy felesleges vegyi anyagot, például a motorolajat vagy az üzemanyagot, adja le egy szervizközpontban vagy egy erre kijelölt gyűjtőpontra.
- A már nem használt terméket, küldje vissza a Husqvarna kereskedőhöz, vagy adja le egy újrahasznosítási pontra.

Műszaki adatok

Műszaki adatok

	KLIPPO LB 448S	KLIPPO LB 448SQ	KLIPPO LB 453S	KLIPPO LB 453SQ	KLIPPO LB 548SQe
Motor					
Márka	Honda	Husqvarna	Honda	Husqvarna	Husqvarna
Típus	GCVX-145	HS 166AP	GCVx-170	HS 166AP	HS 166AP
Motor típus	Egyhengeres, 4 ütemű, kényszerített léghűtéses, OHV	Egyhengeres, 4 ütemű, kényszerített léghűtéses, OHV	Egyhengeres, 4 ütemű, kényszerített léghűtéses, OHV	Egyhengeres, 4 ütemű, kényszerített léghűtéses, OHV	Egyhengeres, 4 ütemű, kényszerített léghűtéses, OHV
Lökettérfogat, cm ³	145	166	166	166	166
Fordulatszám, ford./perc	2900	2900	2900	2900	2900
Névleges motorteljesítmény, kW ⁵⁶	2,7	2,75	3,3	2,75	2,75
Gyújtásrendszer					
Gyújtógyertya	NGK BPR5ES	Husqvarna HQT-7	NGK BPR5ES	Husqvarna HQT-7	Husqvarna HQT-7
Elektródahézag, mm	0,7-0,8	0,7-0,8	0,7-0,8	0,7-0,8	0,7-0,8
Üzemanyag- és olajozási rendszer					
Motor kenési típusa	Fröcsköléses	Fröcsköléses	Fröcsköléses	Fröcsköléses	Fröcsköléses

⁵⁶ A motor feltüntetett névleges teljesítménye az adott motormodell tipikus legyártott motorjának a J1349/ISO1585 sz. SAE-szabvány szerint mért átlagos nettó teljesítménye (a megadott fordulatszám mellett). A sorozatgyártott motorok esetén ez az érték eltérő lehet. A végső termékbe épített motor tényleges leadott teljesítménye az üzemi fordulatszámtól, a környezeti körülményektől és egyéb értékektől függ.

	KLIPPO LB 448S	KLIPPO LB 448SQ	KLIPPO LB 453S	KLIPPO LB 453SQ	KLIPPO LB 548SQe
Üzemanyagtartály űrtartalma, liter	0,9	1,5	0,9	1,5	1,5
Olajtartály űrtartalma, liter	0,5	0,5	0,55	0,5	0,5
Motorolaj ⁵⁷	Husqvarna SAE 30	Husqvarna SAE 30	Husqvarna SAE 30/SAE 10W-30	Husqvarna SAE 30/SAE 10W-30	Husqvarna SAE 30/SAE 10W-30
Tömeg					
Üres tartályokkal, kg	30,5	32,5	33	33,5	34,5
Zajkibocsátás ⁵⁸					
Hangteljesítményszint, mért dB (A) érték	90	93	91	94	92
Hangteljesítményszint, garantált, L _{WA} dB (A)	91	93	94	95	93
Zajszintek ⁵⁹					
Hangnyomásszint a felhasználó fülénél, dB (A)	77	79	78	81	79
Rezgésszintek, a_{hveq} ⁶⁰					
Fogantyú, m/s ²	4,5	4,2	5,3	6,4	4,0
Vágófelszerelés					
Vágási magasság, mm	30-60	30-60	30-60	30-60	30-60
Vágószélesség, mm	480	480	530	530	480
Kés	Mulcsozó - 48 cm	Mulcsozó - 48 cm	Mulcsozó - 53 cm	Mulcsozó - 53 cm	Mulcsozó - 48 cm
	5028813-10	5028813-10	5028814-10	5028814-10	5028813-10
Meghajtás					
Sebesség, km/óra	4,5	4,5	4,5	4,5	4,5

⁵⁷ Ha SAE-30 típusú olajat használnak +5 °C alatti hőmérsékleten, fennáll a kockázata, hogy az nem képes biztosítani a motor megfelelő kenését. Ez a motor sérülését okozhatja. Lásd: *A motorolaj cseréje 166. oldalon*. Az alacsony hőmérséklet mellett alkalmazandó megfelelő olajtípusra vonatkozóan.

⁵⁸ A környezetben a 2000/14/EK sz. EK irányelvvel összhangban hangteljesítményként mért zajkibocsátás (L_{WA}).

⁵⁹ Hangnyomásszint az ISO 5395 szabvány szerint. A zajnyomásszintre vonatkozó jelentési adatok az 1,2 dB (A) tipikus statisztikus ingadozásával (szórásával) rendelkeznek.

⁶⁰ Regzésszint az ISO 5395 szabvány szerint. A rezgésszintre vonatkozó jelentési adatok a 0,2 m/s² tipikus statisztikus ingadozásával (szórásával) rendelkeznek.

Megfelelőségi nyilatkozat

EU megfelelési nyilatkozat

A **Husqvarna AB**, SE-561 82 Huskvarna, Sweden (tel.: +46-36-146500), a saját felelősségére kijelenti, hogy a termék:

Leírás	Fűnyíró
Márka	Husqvarna
Típus/modell	KLIPPO LB 448S, KLIPPO LB 453S, KLIPPO LB 448SQ, KLIPPO LB 453SQ, KLIPPO LB 548SQe
Megjelölés	2022-as és újabb sorozatszámok

teljes mértékben megfelelnek a következő EU-irányelveknek és szabályozásoknak:

Irányelv/rendelet	Leírás
2006/42/EK	„gépre vonatkozó”
2014/30/EU	„elektromágneses megfelelésre vonatkozó”
2000/14/EK	„környezeti zajkibocsátásra vonatkozó”
2011/65/EU	„az egyes veszélyes anyagok elektromos és elektronikus berendezésekben való alkalmazásának korlátozására vonatkozó”

valamint hogy az alábbi szabványok és/vagy műszaki előírások kerültek alkalmazásra: EN ISO 5395-1:2013/A1:2018, EN ISO 5395-2:2013/A1:2016/A2:2017, EN ISO 14982:2009, EN IEC 63000:2018.

Bejelentett tanúsítási szervezet: A(z) 0404, RISE SMP Svensk Maskinprovning AB, Box 4053, SE-904 03 Umeå, Sweden. igazolja a Bizottság 2000/14/EK jelű irányelve VI., megfelelésértékelési eljárás című függelékének való megfelelést.

A zajkibocsátásra vonatkozó tájékoztatást illetően tekintse át a következőt: *Műszaki adatok 168. oldalon.*

Huskvarna, 2023-02-07



Claes Losdal, Fejlesztési Igazgató/Kertművelési termékek, Husqvarna AB

A műszaki dokumentációk felelőse



Sommario

Introduzione.....	171	Manutenzione.....	177
Sicurezza.....	172	Trasporto, stoccaggio e smaltimento.....	181
Montaggio.....	175	Dati tecnici.....	182
Utilizzo.....	176	Dichiarazione di conformità.....	184

Introduzione

Descrizione del prodotto

Il prodotto è un tagliaerba rotativo con operatore a piedi che utilizza BioClip® per tagliare l'erba da utilizzare come fertilizzante.

Panoramica del prodotto

(Fig. 1)

1. Impugnatura / manubrio
2. Impugnatura del freno motore
3. Leva della trazione
4. Impugnatura della fune di avviamento
5. Tappo dell'olio
6. Carter copri cinghia
7. Marmitta
8. Candela
9. Carter copri cinghia
10. Serbatoio del carburante
11. Leva per la regolazione dell'angolatura dell'impugnatura
12. Sistema di smorzamento delle vibrazioni
13. Regolazione del cavo della frizione
14. Leva altezza di taglio
15. Valvola del carburante
16. Filtro dell'aria
17. Coperchio di taglio
18. Rondella elastica
19. Bullone lama
20. Lama
21. Supporto lama
22. Tappo per mulching KLIPPO LB 448S, KLIPPO LB 448SQ, KLIPPO LB 548SQe
23. Manuale dell'operatore

Simboli riportati sul prodotto

- (Fig. 2) **AVVERTENZA:** L'uso improprio del mezzo può provocare lesioni anche mortali all'operatore o a terzi.
- (Fig. 3) Prima dell'uso, leggere per intero il manuale dell'operatore e accertarsi di aver compreso le istruzioni.

Uso previsto

Utilizzare il prodotto per tagliare l'erba. Non utilizzare il prodotto per altre attività.

- (Fig. 4) Prestare attenzione a oggetti lanciati o rimbalzati.
- (Fig. 5) Mantenere le persone e gli animali a una distanza di sicurezza dalla zona di lavoro.
- (Fig. 6) Arrestare il motore e rimuovere il cavo di accensione prima di effettuare interventi di riparazione o manutenzione.
- (Fig. 7) **Avvertenza:** Tenere le mani e i piedi lontani dalle parti rotanti.
- (Fig. 8) **Avvertenza:** Tenere mani e piedi lontani dalla lama rotante.
- (Fig. 9) Il prodotto è conforme alle direttive CE vigenti.
- (Fig. 10) Questo prodotto è conforme alle direttive del Regno Unito vigenti.
- (Fig. 11) Il prodotto è conforme alle direttive dell'Unione doganale eurasiatica vigenti. Valido solo per KLIPPO LB 448S & KLIPPO LB 453S.
- (Fig. 12) Emissioni di rumore nell'ambiente in conformità alle direttive e alle norme UE e UK e alla norma del Nuovo Galles del Sud in materia di protezione dell'ambiente "Protection of the Environment Operations (Noise Control) Regulation 2017". Il livello di potenza sonora garantito del prodotto è specificato in *Dati tecnici alla pagina 182* nonché sull'etichetta.
- (Fig. 13) Codice scansionabile.

Nota: Altri simboli/decalcomanie sul prodotto si riferiscono ai requisiti legali specifici del mercato.

Decalcomania sul prodotto, solo per Australia e Nuova Zelanda

(Fig. 14)

Tenere mani e piedi lontani dalla lama rotante.

Emissioni Euro V



AVVERTENZA: La manomissione del motore rende nulla l'omologazione UE del prodotto.

Responsabilità del prodotto

Come indicato nelle leggi vigenti in materia di responsabilità obbligatoria sul prodotto, non siamo responsabili per eventuali danni causati dal nostro prodotto se:

- Il prodotto viene riparato in modo errato.
- Il prodotto viene riparato con parti che non provengono o non sono omologate dal produttore.
- Il prodotto contiene un accessorio che non proviene o non è omologato dal produttore.
- Il prodotto non viene riparato presso un centro di assistenza autorizzato o presso un'autorità competente.

Sicurezza

Definizioni di sicurezza

Le avvertenze, le precauzioni e le note sono utilizzate per evidenziare le parti importanti del manuale.



AVVERTENZA: Utilizzato se è presente un rischio di lesioni o morte dell'operatore o di passanti nel caso in cui le istruzioni del manuale non vengano rispettate.



ATTENZIONE: Utilizzato se è presente un rischio di danni al prodotto, ad altri materiali oppure alla zona adiacente nel caso in cui le istruzioni del manuale non vengano rispettate.

Nota: Utilizzato per fornire ulteriori informazioni necessarie in una determinata situazione.

Istruzioni di sicurezza generali



AVVERTENZA: Leggere le seguenti avvertenze prima di utilizzare il prodotto.

- Questo prodotto è pericoloso se utilizzato in maniera impropria o se non si presta attenzione. La mancata osservanza delle istruzioni di sicurezza può causare lesioni anche fatali.
- Durante il funzionamento, questo prodotto genera un campo elettromagnetico. Tale campo può interferire, in alcuni casi, con persone portatrici di impianti medici attivi o passivi. Per ridurre il rischio di condizioni che possono implicare lesioni gravi o mortali, i portatori di tali impianti devono consultare il proprio medico e il produttore dell'impianto prima di utilizzare questo prodotto.

- Usare la massima cautela e il buon senso. Se non si è sicuri di come utilizzare il prodotto in una particolare situazione, fermarsi e rivolgersi al proprio rivenditore Husqvarna prima di continuare.
- Tenere presente che l'operatore potrà essere ritenuto responsabile di eventuali incidenti che coinvolgano altre persone o i loro beni.
- Tenere pulito il prodotto. Assicurarsi che sia possibile leggere chiaramente simboli e decalcomanie.
- Non consentire ad altre persone di utilizzare il prodotto se non si è sicuri che abbiano letto e compreso il contenuto del Manuale dell'operatore.
- Non consentire ai bambini di utilizzare il prodotto.
- Tenere i bambini lontani dall'area di lavoro. È necessaria sempre la supervisione di un adulto responsabile.
- Non permettere a chiunque non conosca le istruzioni di utilizzare il prodotto.
- Controllare sempre qualsiasi persona, dalle capacità fisiche o mentali ridotte, che utilizzi il prodotto. È necessaria sempre la supervisione di un adulto responsabile.
- Non utilizzare il prodotto quando si è stanchi, ammalati o sotto effetto di alcool, farmaci o medicinali. Essi potrebbero compromettere la vista, l'attenzione, il coordinamento e il giudizio.
- Non utilizzare un prodotto danneggiato o che non funzioni correttamente.
- Non modificare il prodotto né utilizzarlo nel caso in cui vi sia la possibilità che sia stato modificato da altri.
- Non modificare la regolazione per il controllo del regime motore.

Sicurezza dell'area di lavoro



AVVERTENZA: Leggere le seguenti avvertenze prima di utilizzare il prodotto.

- Rimuovere oggetti quali rami, ramoscelli o pietre dall'area di lavoro prima di utilizzare il prodotto.
- Gli oggetti che urtano contro l'attrezzatura di taglio potrebbero essere proiettati e causare danni a cose e persone. Mantenere persone e animali a una distanza di sicurezza dal prodotto.
- Non utilizzare mai il prodotto in condizioni meteorologiche avverse quali nebbia, pioggia, vento forte, freddo intenso e rischio di fulmini. L'uso del prodotto in condizioni meteorologiche avverse o in ambienti umidi è stancante. Condizioni meteorologiche avverse possono causare situazioni di pericolo quali superfici scivolose.
- Prestare attenzione a persone, cose e situazioni che possono impedire un utilizzo sicuro del prodotto.
- Prestare attenzione a ostacoli quali radici, pietre, ramoscelli, fossi e avvallamenti. L'erba alta può nascondere eventuali ostacoli.
- Tagliare l'erba in pendenza può risultare pericoloso. Non utilizzare il prodotto su terreni con pendenze superiori a 15°.
- Utilizzare il prodotto trasversalmente lungo i pendii. Non spostarsi seguendo tragitti verso l'alto e verso il basso.
- Prestare attenzione in prossimità di angoli e oggetti nascosti che potrebbero ostacolare la visuale.
- Non fissare l'impugnatura del freno motore in modo permanente al manubrio quando il motore è avviato.
- Posizionare il prodotto su una superficie piana e stabile e avviarlo. Assicurarsi che la lama non venga a contatto con il terreno o con altri oggetti.
- Collocarsi sempre posteriormente al prodotto quando lo si utilizza.
- Consentire a tutte le ruote di restare a contatto con il suolo e tenere le 2 mani sull'impugnatura mentre si aziona il prodotto. Tenere mani e piedi lontani dalle lame rotanti.
- Non ribaltare il prodotto a motore acceso.
- Prestare attenzione quando si tira il prodotto verso di sé.
- Non sollevare mai il prodotto a motore avviato. Se si deve sollevare il prodotto, arrestare innanzitutto il motore e scollegare il cavo di accensione dalla candela.
- Non camminare all'indietro quando si utilizza il prodotto.
- Arrestare il motore quando si attraversano zone prive d'erba quali vialetti in ghiaia, pietra e asfalto.
- Non correre con il prodotto quando il motore è acceso. Camminare sempre durante l'utilizzo del prodotto.
- Spegnerne il motore prima di apportare qualsiasi modifica all'altezza di taglio. Non effettuare mai regolazioni a motore acceso.
- Non perdere mai di vista il prodotto quando il motore è acceso. Arrestare il motore e assicurarsi che l'attrezzatura di taglio non giri.

Sicurezza sul lavoro



AVVERTENZA: Leggere le seguenti avvertenze prima di utilizzare il prodotto.

- Utilizzare il prodotto esclusivamente per tagliare il prato. Non è consentito utilizzare il prodotto per altri scopi.
- Usare sempre abbigliamento protettivo personale. Vedere *Abbigliamento protettivo personale alla pagina 173*.
- Assicurarsi di saper spegnere il motore rapidamente in caso di emergenza.
- Non avviare il motore in uno spazio chiuso o in prossimità di materiali infiammabili. I fumi di scarico del motore sono molto caldi e possono contenere scintille in grado di provocare incendi.
- Non azionare il prodotto senza prima aver montato correttamente la lama e tutti i coperchi. Una lama non correttamente fissata potrebbe allentarsi e causare lesioni personali.
- Assicurarsi che la lama non urti oggetti quali pietre e radici. Ciò potrebbe provocare danni alla lama e piegare l'albero motore. Un'asse piegato provoca forti vibrazioni e un alto rischio di allentamento della lama.
- Qualora la lama urti contro un oggetto o all'insorgere di vibrazioni arrestare immediatamente il prodotto. Staccare il cavo di accensione dalla candela. Verificare la presenza di eventuali danni al prodotto. Riparare eventuali danni o contattare un'officina autorizzata per far svolgere la riparazione.

Istruzioni di sicurezza per il funzionamento

Abbigliamento protettivo personale



AVVERTENZA: Leggere le seguenti avvertenze prima di utilizzare il prodotto.

- L'uso di abbigliamento protettivo personale non elimina il rischio di lesioni, ma ne riduce la gravità in caso di incidente. Farsi consigliare dal rivenditore per la scelta dell'attrezzatura adatta.
- Utilizzare protezioni per le orecchie se il livello di rumore è superiore a 85 dB.
- Utilizzare robusti stivali o scarpe antiscivolo. Non utilizzare il prodotto con calzature aperte o a piedi nudi.
- Utilizzare pantaloni lunghi di tessuto pesante.
- Indossare guanti protettivi ove necessario, ad esempio per montare, ispezionare o pulire l'attrezzatura di taglio.

Dispositivi di sicurezza sul prodotto



AVVERTENZA: Leggere le seguenti avvertenze prima di utilizzare il prodotto.

- Non utilizzare un prodotto usando dispositivi di sicurezza danneggiati o che non funzionano correttamente.
- Effettuare regolarmente un controllo dei dispositivi di sicurezza. Se i dispositivi di sicurezza sono danneggiati o non funzionano correttamente, rivolgersi al centro di assistenza Husqvarna.
- Non apportare modifiche ai dispositivi di sicurezza.

Controllo del coperchio di taglio

Il coperchio di taglio riduce le vibrazioni del prodotto e il rischio di ferirsi con la lama.

- Esaminare il coperchio di taglio per accertarsi che non presenti danni quali crepe.

Controllo del carter della cinghia

Il carter della cinghia riduce il rischio di lesioni e assicura che non si verifichi il lancio della cinghia di comando nel caso si rompa.

- Accertarsi che il carter della cinghia non presenti danni e che sia collegato correttamente. (Fig. 15)

Impugnatura del freno motore

L'impugnatura del freno motore arresta il motore. Quando si rilascia l'impugnatura del freno motore, il motore si arresta.

Per ispezionare il freno motore, avviare il motore e quindi rilasciare l'impugnatura del freno motore. Se il motore non si arresta entro 3 secondi, far regolare il freno motore presso un'officina Husqvarna autorizzata.

(Fig. 16)

Controllo del sistema di smorzamento delle vibrazioni



AVVERTENZA: La sovraesposizione alle vibrazioni può causare lesioni neuro-vascolari a chi soffre di cattiva circolazione. In caso di sintomi riferibili a sovraesposizione alle vibrazioni, contattare il medico. Tali sintomi possono essere torpore, perdita della sensibilità, punture, prurito, dolore, perdita della forza, decolorazione della pelle o modifiche strutturali della sua superficie. Tali sintomi si riscontrano generalmente nelle mani, nei polsi e alle dita.

Il sistema di smorzamento riduce le vibrazioni nell'impugnatura durante il funzionamento.

Il tubo di acciaio del manubrio e il coperchio di taglio riducono le vibrazioni. KLIPPO LB 548SQe dispone anche di 4 elementi smorzatori collegati al manubrio.

- Esaminare il manubrio e gli elementi smorzatori delle vibrazioni per accertarsi che non vi siano danni. (Fig. 17)

Supporto lama

Il supporto della lama riduce il rischio che l'albero del motore si pieghi. Se la lama colpisce un oggetto, essa si sposta contro il supporto della lama. Il movimento provoca l'usura sulla superficie del supporto della lama. L'usura dimostra che la protezione dell'albero motore funziona correttamente.

Marmitta

La marmitta assicura il minimo livello di rumorosità e allontana i fumi di scarico dall'operatore.

Non utilizzare il prodotto se la marmitta è mancante o danneggiata. Una marmitta danneggiata aumenta il livello acustico e il rischio di incendio.



AVVERTENZA: La marmitta si surriscalda durante e dopo l'uso e quando il motore funziona al regime minimo. Prestare attenzione in prossimità di materiali infiammabili e/o fumi per evitare incendi.

Controllo della marmitta

- Esaminare la marmitta periodicamente per assicurarsi che sia collegata correttamente e che non sia danneggiata.

Sicurezza nell'uso del carburante



AVVERTENZA: Leggere le seguenti avvertenze prima di utilizzare il prodotto.

- Non avviare il prodotto nel caso in cui vi sia carburante o olio motore su di esso. Rimuovere il carburante/olio indesiderato e lasciare che il prodotto si asciughi.
- In caso di perdite di carburante sugli indumenti, cambiarsi immediatamente.
- Il carburante non deve arrivare a contatto con il corpo, poiché può causare lesioni. In caso di contatto del carburante con il corpo, rimuoverlo con acqua e sapone.
- Non avviare il prodotto se il motore presenta una perdita. Esaminare regolarmente il motore per verificare la presenza di eventuali perdite.
- Prestare la massima attenzione con il carburante. Il carburante è infiammabile e i fumi sono esplosivi quindi possono causare lesioni o morte.

- Non respirare i fumi del carburante perché possono causare lesioni. Accertarsi che ci sia un flusso d'aria sufficiente.
- Non fumare in prossimità del carburante o del motore.
- Non posizionare oggetti caldi in prossimità del carburante o del motore.
- Non aggiungere carburante a motore acceso.
- Assicurarsi che il motore sia freddo prima di effettuare il rifornimento.
- Prima di effettuare il rifornimento, aprire lentamente il tappo del serbatoio del carburante e rilasciare la pressione con cautela.
- Non aggiungere carburante al motore in un ambiente chiuso. Un flusso d'aria insufficiente può causare lesioni o la morte dovute ad asfissia o al monossido di carbonio.
- Stringere completamente il tappo del serbatoio del carburante. Se il tappo del serbatoio carburante non è serrato, vi è il rischio di incendio.
- Prima dell'avviamento, spostare il prodotto di almeno 3 m/10 ft dal punto in cui è stato riempito il serbatoio del carburante.
- Non riempire completamente il serbatoio del carburante. Il calore provoca l'espansione del carburante. Lasciare dello spazio nella parte superiore del serbatoio del carburante.
- I fumi di scarico del motore contengono monossido di carbonio, un gas inodore, velenoso e altamente pericoloso. Non avviare il motore in ambienti o spazi chiusi.
- Prima di eseguire la manutenzione del prodotto, arrestare il motore e rimuovere il cavo di accensione dalla candela.
- Indossare guanti protettivi quando si esegue la manutenzione dell'attrezzatura di taglio. La lama è molto affilata e ci si può ferire facilmente.
- Accessori e modifiche apportate al prodotto che non siano stati approvati dal costruttore possono causare infortuni gravi, anche fatali. Non apportare modifiche al prodotto. Utilizzare sempre accessori approvati dal produttore.
- Se la manutenzione non viene eseguita correttamente e con regolarità, aumenta il rischio di lesioni personali e danni al prodotto.
- Eseguire esclusivamente gli interventi di manutenzione riportati nel presente manuale. Tutti gli altri interventi di manutenzione devono essere svolti da un'officina Husqvarna autorizzata.
- Rivolgersi a un'officina Husqvarna autorizzata per far svolgere regolarmente interventi di manutenzione sul prodotto.
- Sostituire le parti danneggiate, usurate o rotte.

Istruzioni di sicurezza per la manutenzione



AVVERTENZA: Leggere le seguenti avvertenze prima di utilizzare il prodotto.

Montaggio

Introduzione



AVVERTENZA: Prima di assemblare il prodotto, leggere e comprendere il capitolo sulla sicurezza.



AVVERTENZA: Rimuovere il cavo della candela dalla candela prima di assemblare il prodotto.



ATTENZIONE: Accertarsi che i fili non siano impigliati o non si siano danneggiati.

3. Fissare la rondella e il dado dell'impugnatura. (Fig. 18)
4. Ruotare l'impugnatura di lato in una posizione che assicuri il funzionamento ottimale quando si aziona il prodotto in prossimità di una parete. (Fig. 19)
5. Ruotare le ruote di regolazione sul telaio per regolare l'impugnatura in senso verticale. (Fig. 20)

Montare e regolare le impugnature

1. Rimuovere il dado dell'impugnatura e la rondella dalla piastra sull'impugnatura superiore.
2. Posizionare l'impugnatura superiore al di sopra dell'impugnatura inferiore.

Montaggio del tappo per mulching (KLIPPO LB 448S, KLIPPO LB 448SQ, KLIPPO LB 548SQe)

1. Inclinare all'indietro il prodotto con la candela rivolta verso l'alto.
2. Inserire i perni del tappo per mulching nei fori dal lato interno del coperchio di taglio. (Fig. 21)

3. Fissare le viti del tappo per mulching dal lato esterno del coperchio di taglio. (Fig. 22)

Utilizzo

Introduzione



AVVERTENZA: Prima di utilizzare il prodotto, è necessario leggere e comprendere il capitolo relativo alla sicurezza.

Husqvarna Connect

Husqvarna Connect è un'app gratuita per i dispositivi mobili. L'app Husqvarna Connect fornisce funzioni estese per il prodotto Husqvarna:

- Informazioni aggiuntive sul prodotto.
- Dettagli, guida, parti del prodotto e manutenzione.

Primo utilizzo Husqvarna Connect

1. Scaricare l'app Husqvarna Connect sul proprio dispositivo mobile.
2. Registrarsi nell'app Husqvarna Connect.
3. Attenersi alle istruzioni dell'app Husqvarna Connect per collegare e registrare il prodotto.

Prima di utilizzare il prodotto

1. Leggere il Manuale dell'operatore con attenzione e accertarsi di averne compreso il contenuto.
2. Esaminare l'attrezzatura di taglio per assicurarsi che sia correttamente collegata e regolata. Vedere *Per controllare l'attrezzatura di taglio alla pagina 179*.
3. Riempire il serbatoio del carburante. Vedere *Per il rifornimento del carburante alla pagina 176*.
4. Riempire il serbatoio dell'olio ed effettuare il controllo del livello dell'olio. Vedere *Controllo del livello dell'olio alla pagina 179*.

Per il rifornimento del carburante

Se disponibile, utilizzare benzina alchilata/a basso livello di emissioni. Se non è disponibile benzina alchilata/a basso livello di emissioni, utilizzare una benzina senza piombo di buona qualità o una benzina contenente piombo con un numero di ottani non inferiore a 90.



ATTENZIONE: Non utilizzare mai benzina con un numero di ottani inferiore a 90 RON (87 AKI). Ciò può causare danni al prodotto.

1. Aprire lentamente il tappo del serbatoio del carburante per rilasciare la pressione.

2. Riempire lentamente il serbatoio con una tanica di carburante. Se si versa del carburante, rimuoverlo con un panno e lasciare asciugare eventuali residui. (Fig. 23)
3. Pulire l'area intorno al tappo del serbatoio del carburante.
4. Stringere completamente il tappo del serbatoio del carburante. Se il tappo del serbatoio carburante non è serrato, vi è il rischio di incendio.
5. Prima dell'avviamento, spostare il prodotto di almeno 3 m (10 ft) dal punto in cui è stato riempito il serbatoio del carburante.

Per impostare l'altezza di taglio

L'altezza di taglio può essere regolata su 6 diversi livelli.

1. Per aumentare l'altezza di taglio, spingere la leva dell'altezza di taglio in avanti.
2. Per diminuire l'altezza di taglio, spingere la leva dell'altezza di taglio all'indietro.



ATTENZIONE: Non impostare l'altezza di taglio troppo in basso. Se la superficie del prato non è piana, le lame possono urtare il terreno.

Per avviare il prodotto

1. Accertarsi che il cavo di accensione sia collegato alla candela.
2. Aprire la valvola del carburante. (Fig. 24)
3. Collocarsi dietro il prodotto.
4. Tenere l'impugnatura del freno motore contro il manubrio. (Fig. 25)
5. Tenere l'impugnatura della fune di avviamento con la mano destra.
6. Estrarre lentamente l'impugnatura della fune di avviamento fino a che non si avverte una leggera resistenza.
7. Tirare con forza per avviare il motore.



AVVERTENZA: Non avvolgere la fune di avviamento intorno alla mano.



ATTENZIONE: Non estendere completamente la fune di avviamento. Non lasciare andare l'impugnatura della fune di avviamento quando quest'ultima è estesa.

Per applicare trazione alle ruote

- Spingere verso il basso la leva della trazione. (Fig. 26)
- Prima di tirare il prodotto verso di sé, disinnestare la trazione e spingere il prodotto in avanti di circa 10cm.
- Rilasciare leggermente l'impugnatura del freno motore per disinnestare la trazione, ad esempio quando ci si avvicina a un ostacolo.

Arresto del prodotto

- Per arrestare solo la trazione, rilasciare leggermente l'impugnatura del freno motore.
- Per spegnere il motore, rilasciare completamente l'impugnatura del freno motore.
- Chiudere la valvola del carburante. (Fig. 27)

Per ottenere un buon risultato

- Utilizzare sempre una lama ben affilata. Una lama non tagliente fornisce un risultato irregolare e la superficie di taglio dell'erba ingiallisce. Una lama affilata inoltre consuma minore energia di una lama affilata.

- Non tagliare più di $\frac{1}{3}$ dell'altezza dell'erba. Iniziare l'operazione di taglio impostando l'altezza di taglio su un livello alto. Esaminare il risultato e ridurre l'altezza di taglio al livello applicabile. Se l'erba è molto alta, procedere lentamente e tagliarla 2 volte, se necessario.
- Tagliare sempre in direzioni diverse per evitare il formarsi di strisce sul prato.
- Mantenere pulito il coperchio di taglio. L'accumulo di erba e sporcizia sul lato interno del coperchio di taglio può ridurre il risultato del taglio. Fare riferimento a *Per pulire esternamente il prodotto alla pagina 178*.

Manutenzione

Introduzione



AVVERTENZA: Prima di svolgere la manutenzione, leggere e comprendere il capitolo relativo alla sicurezza.

Per tutti gli interventi di assistenza e riparazione sul prodotto, è necessaria una formazione specifica. La nostra azienda garantisce la disponibilità di personale qualificato per le riparazioni e l'assistenza. Se non avete acquistato il prodotto presso un rivenditore dotato di officina, informatevi sull'ubicazione della più vicina officina autorizzata.

Per ulteriori informazioni dettagliate, fare riferimento a www.husqvarna.com.

Programma di manutenzione

Gli intervalli di manutenzione sono calcolati sulla base di un uso quotidiano del prodotto. Gli intervalli cambiano se il prodotto non viene usato quotidianamente.

Per gli interventi di manutenzione contrassegnati con il simbolo *, vedere le istruzioni in *Dispositivi di sicurezza sul prodotto alla pagina 174*.

Manutenzione	Giomallera	Una volta a settimana	Una volta al mese
Effettuare un'ispezione generale	X		
Controllare il livello dell'olio	X		
Pulire il prodotto	X		
Pulire il filtro dell'aria	X		
Controllare l'attrezzatura di taglio	X		
Controllare il coperchio di taglio*	X		
Controllare la maniglia del freno motore*	X		
Controllare la marmitta*		X	

Manutenzione	Giornaliera	Una volta a settimana	Una volta al mese
Controllare la candela		X	
Controllare la cinghia di trasmissione per verificare la presenza di eventuali danni			X
Pulire la scatola ingranaggi			X
Per KLIPPO LB 448S, KLIPPO LB 453S. Cambiare l'olio (la prima volta dopo 5 ore, successivamente dopo ogni 25 ore di funzionamento e annualmente)			X
Per KLIPPO LB 448SQ, KLIPPO LB 453SQ, KLIPPO LB 548SQe. Cambiare l'olio (la prima volta dopo 5 ore, successivamente dopo ogni 100 ore di funzionamento e annualmente)			X
Sostituire il filtro dell'aria			X
Controllare il sistema di alimentazione			X
Controllare e regolare la trazione (cavo della frizione)			X

Ispezione generale

- Controllare che tutti i dadi e le viti del prodotto siano serrati correttamente.

Per pulire esternamente il prodotto

- Utilizzare una spazzola per rimuovere foglie, erba e sporcizia.
- Assicurarsi che la presa d'aria nella parte superiore del motore non sia ostruita.
- Non utilizzare una lancia ad alta pressione per pulire il prodotto.
- Se si utilizza dell'acqua per pulire il prodotto, non versare l'acqua direttamente sul motore.

Per pulire la superficie interna del coperchio di taglio

- Collocare il prodotto su un lato con la marmitta rivolta verso il basso.



ATTENZIONE: Se il prodotto è stato collocato con il filtro dell'aria rivolto verso il basso, il motore potrebbe danneggiarsi.

- Lavare la superficie interna del coperchio di taglio con acqua.

Analisi della cinghia di trasmissione e pulizia della scatola ingranaggi

- Rimuovere le 4 viti sul carter della cinghia e rimuovere il carter della cinghia. (Fig. 28)
- Esaminare la cinghia di trasmissione e la puleggia per rilevare eventuali danni.
- Usare una spazzola per togliere foglie, erba e sporco dalla scatola ingranaggi. (Fig. 29)

Sostituzione e regolazione della cinghia di trasmissione

- Rimuovere le 4 viti sul carter della cinghia e rimuovere il carter della cinghia. (Fig. 28)
- Inserire un cacciavite a testa piatta tra il coprimozzo e la ruota anteriore destra del prodotto.
- Girare il cacciavite per rimuovere con cautela il coprimozzo.
- Rimuovere il bullone della ruota e la ruota. (Fig. 30)
- Rimuovere la cinghia di trasmissione dalle pulegge della cinghia.
- Assicurarsi che le pulegge della cinghia si spostino con facilità sull'assale.
- Se è necessario, spruzzare dell'olio che penetri tra le pulegge e dietro di esse e lubrificare l'assale.
- Installare una nuova cinghia di trasmissione e collegarla correttamente al cuscinetto a sfere prima di regolare la cinghia di trasmissione. (Fig. 31)
- Spostare il cuscinetto a sfera verso l'alto o verso il basso per regolare la cinghia di trasmissione. (Fig. 32)

Nota: Una cinghia di trasmissione nuova diventa più lunga dopo l'utilizzo. Regolare la cinghia di trasmissione dopo alcune ore di funzionamento.

- Fissare il carter della cinghia.
- Azionare il prodotto per accertarsi che la cinghia di trasmissione sia correttamente montata e regolata.

Sostituzione e regolazione della cinghia centrale

- Rimuovere la lama.

Nota: Questa fase non è necessaria quando si regola solamente la cinghia centrale.

2. Allentare le viti di regolazione di alcuni giri, ma non rimuoverle. (Fig. 33)
3. Sostituire la cinghia centrale e serrare moderatamente le viti di regolazione.

Nota: Questa fase non è necessaria quando si regola solamente la cinghia centrale.

4. Spostare la marcia in avanti o indietro per regolare la cinghia centrale. (Fig. 34)
5. Utilizzare una scala di peso con gancio per valutare la tensione della cinghia centrale. La cinghia è alla tensione corretta quando si può spostare 6-10 mm centralmente. Ciò corrisponde a una trazione di 3 kg. (Fig. 35)
6. Serrare le quattro viti di regolazione a una coppia di 3 Nm.
7. Azionare il prodotto per accertarsi che la cinghia di trasmissione sia correttamente montata e regolata.

Per controllare l'attrezzatura di taglio



AVVERTENZA: Per evitare l'avviamento accidentale del prodotto, rimuovere il cavo di accensione dalla candela.



AVVERTENZA: Indossare guanti protettivi quando si esegue la manutenzione dell'attrezzatura di taglio. La lama è molto affilata e ci si può ferire facilmente.

1. Controllare l'attrezzatura di taglio per individuare danni o crepe. Sostituire sempre l'attrezzatura di taglio danneggiata.
2. Osservare la lama per controllare che non sia danneggiata o usurata.

Nota: Dopo l'affilatura la lama deve essere bilanciata. Rivolgersi a un centro assistenza per l'affilatura, la sostituzione e il bilanciamento. Se si urta un ostacolo che provoca l'arresto del prodotto, sostituire la lama danneggiata. Il centro di assistenza può valutare se la lama può essere affilata o deve essere sostituita.

Per sostituire la lama

1. Bloccare la lama con un blocco di legno. (Fig. 36)
2. Rimuovere il bullone della lama, la rondella elastica e la lama. (Fig. 37)
3. Controllare il supporto e il bullone della lama per verificare che non vi siano danni.

- a) Se si sostituisce la lama o il supporto della lama, sostituire anche il bullone, la rondella elastica e la rondella di attrito.
4. Esaminare l'albero motore per accertarsi che non sia piegato.
5. Quando si monta la nuova lama, assicurarsi che le estremità inclinate puntino in direzione del coperchio di taglio. (Fig. 38)
6. Far aderire la rondella di attrito e la lama al supporto della lama. (Fig. 39)
7. Assicurarsi che la lama si allinei con il centro dell'albero motore. (Fig. 40)
8. Bloccare la lama con un blocco di legno. (Fig. 41)
9. Montare la rondella elastica e serrare il bullone a una coppia di 80 Nm. (Fig. 42)
10. Girare manualmente la lama per verificare che possa ruotare liberamente.



AVVERTENZA: Usare guanti protettivi. La lama è molto affilata e ci si può ferire facilmente.

11. Avviare il prodotto per eseguire una prova della lama. Se la lama non è collegata correttamente, si verificano delle vibrazioni nel prodotto o il risultato del taglio è insoddisfacente.

Controllo del livello dell'olio



ATTENZIONE: Se il livello dell'olio è troppo basso si possono verificare danni al motore. Controllare il livello dell'olio prima di avviare il prodotto.

1. Posizionare il prodotto su un terreno in piano.
2. Rimuovere il tappo del serbatoio dell'olio con l'annessa asta di livello.
3. Pulire l'olio dall'astina di livello.
4. Inserire completamente l'asta di livello nel serbatoio dell'olio. Serrare il tappo del serbatoio dell'olio per assicurarsi di avere la misura corretta del livello dell'olio.
5. Rimuovere l'asta di livello.
6. Controllare il livello dell'olio sull'asta di livello.
7. Se il livello dell'olio è basso, rabboccare con olio motore ed eseguire nuovamente un controllo del livello dell'olio.

(Fig. 43)

Nota: Utilizzare un imbuto per evitare fuoriuscite.

Cambio dell'olio motore



AVVERTENZA: L'olio motore è molto caldo subito dopo lo spegnimento del motore. Lasciare che il motore si raffreddi prima di scaricare l'olio motore. Se si versa accidentalmente dell'olio motore sulla pelle, lavare con acqua e sapone.

(Fig. 44)

1. Rimuovere il cavo di accensione dalla candela.
2. Rimuovere il tappo del serbatoio dell'olio.
3. Scaricare l'olio motore.
 - a) Per i modelli con tappo di drenaggio dell'olio: Posizionare un recipiente sotto il tappo di drenaggio dell'olio per raccogliere l'olio motore.
 - b) Per i modelli senza tappo di drenaggio dell'olio o se non è possibile posizionare un contenitore sotto il tappo di drenaggio dell'olio: Utilizzare una pompa per olio (accessorio) per scaricare l'olio motore dal serbatoio.
4. Riempire con nuovo olio motore del tipo raccomandato in *Dati tecnici alla pagina 182*.
5. Eseguire il controllo del livello dell'olio. Fare riferimento a *Controllo del livello dell'olio alla pagina 179*.

Filtro dell'aria

Nota: Un filtro dell'aria utilizzato per un lungo periodo non può essere pulito completamente. Sostituire il filtro dell'aria a intervalli regolari. Sostituire sempre un filtro dell'aria danneggiato.

Rimozione e installazione del filtro dell'aria (KLIPPO LB 488SQ, KLIPPO LB 453SQ, KLIPPO LB 548Qe)



AVVERTENZA: Usare guanti protettivi.

1. Spingere i fermi sul coperchio del filtro dell'aria.
2. Rimuovere con cautela il coperchio del filtro dell'aria (A) dal motore.
3. Rimuovere il filtro dell'aria (B) e il filtro in schiuma (C). (Fig. 45)
4. Controllare la presenza di eventuali danni al filtro dell'aria. Sostituire un filtro dell'aria danneggiato.
5. Pulire e esaminare il filtro dell'aria. Fare riferimento a *Pulizia del filtro dell'aria (KLIPPO LB 448SQ, KLIPPO LB 453SQ, KLIPPO LB 548Qe) alla pagina 180*.
6. Montare, seguendo i passaggi nell'ordine inverso.

Pulizia del filtro dell'aria (KLIPPO LB 448SQ, KLIPPO LB 453SQ, KLIPPO LB 548Qe)



ATTENZIONE: Non azionare il motore senza filtro dell'aria collegato o se il filtro dell'aria è ostruito.



ATTENZIONE: Sostituire il filtro dell'aria se non può essere completamente pulito o se è danneggiato. Un filtro dell'aria danneggiato provoca danni al motore.

1. Spingere le linguette del dispositivo di chiusura (A), rimuovere il coperchio del filtro dell'aria (B) e rimuovere il filtro dell'aria (C). (Fig. 46)
2. Colpire il filtro dell'aria contro una superficie dura o soffiare aria compressa attraverso il filtro dell'aria dal lato pulito.



ATTENZIONE: Non utilizzare una spazzola per rimuovere la sporcizia in quanto quest'ultima potrebbe essere spinta nel filtro dell'aria.

3. Pulire il portafiltro dell'aria (D) e il coperchio del filtro dell'aria con un panno umido.



ATTENZIONE: Assicurarsi che non penetri sporcizia all'interno del condotto dell'aria (E).

4. Montare il filtro dell'aria. Assicurarsi che il filtro dell'aria sia correttamente a tenuta rispetto al portafiltro dell'aria.
5. Installare prima il coperchio del filtro dell'aria con le linguette inferiori.

Pulizia del filtro dell'aria (KLIPPO LB 448S, KLIPPO LB 453S)



ATTENZIONE: Non azionare il motore senza filtro dell'aria collegato o se il filtro dell'aria è ostruito.



ATTENZIONE: Sostituire il filtro dell'aria se non può essere completamente pulito o se è danneggiato. Un filtro dell'aria danneggiato provoca danni al motore.

1. Spingere le linguette del dispositivo di chiusura (A), rimuovere il coperchio del filtro dell'aria (B) e rimuovere il filtro dell'aria (C). (Fig. 47)
2. Colpire il filtro dell'aria contro una superficie dura o soffiare aria compressa attraverso il filtro dell'aria dal lato pulito.



ATTENZIONE: Non utilizzare una spazzola per rimuovere la sporcizia in quanto quest'ultima potrebbe essere spinta nel filtro dell'aria.

3. Pulire il portafiltro dell'aria (D) e il coperchio del filtro dell'aria con un panno umido.



ATTENZIONE: Assicurarsi che non penetri sporcizia all'interno del condotto dell'aria (E).

4. Montare il filtro dell'aria. Assicurarsi che il filtro dell'aria sia correttamente a tenuta rispetto al portafiltro dell'aria.
5. Installare prima il coperchio del filtro dell'aria con le linguette inferiori.

Per esaminare la candela



ATTENZIONE: Usare candele originali o del tipo raccomandato. Un tipo di candela errato può danneggiare il prodotto.

- Controllare la candela nel caso in cui il motore giri a bassa potenza, risulti difficile da avviare o non funzioni correttamente al regime minimo.
- Per ridurre il rischio di accumulo di materiale superfluo sugli elettrodi delle candele, osservare le seguenti istruzioni:

- a) Accertarsi che il regime minimo sia regolato correttamente.
 - b) Accertarsi che la miscela sia corretta.
 - c) Accertarsi che il filtro dell'aria sia pulito.
- Se la candela è incrostata, pulirla e controllare che la distanza tra gli elettrodi sia corretta; vedere *Dati tecnici alla pagina 182*. (Fig. 48)
 - Sostituire la candela secondo necessità.

Per controllare il sistema di alimentazione

- Esaminare il tappo del serbatoio del carburante e la relativa guarnizione di tenuta per verificare che non vi siano danni.
- Esaminare il tubo pescante per accertarsi che non presenti perdite. Se il tubo pescante è danneggiato, farlo sostituire presso un'officina.

Per regolare il filo della frizione

Quando si avverte che il funzionamento dell'unità è rallentato, è necessario regolare il cavo della frizione.

- Girare la vite di regolazione. (Fig. 49)

Il filo della frizione è regolato in modo corretto quando la staffa del filo della frizione è allineata con il dado.

(Fig. 50)

Trasporto, stoccaggio e smaltimento

Trasporto e conservazione

- Per trasportare e conservare il prodotto e il carburante, accertarsi che non vi siano perdite o fumi. Scintille o fiamme aperte, provocate ad esempio da dispositivi elettrici o caldaie, possono innescare un incendio.
- Utilizzare sempre contenitori approvati per la conservazione e il trasporto del carburante.
- Svuotare il serbatoio del carburante prima di riporre il prodotto per un lungo periodo di tempo. Smaltire il carburante presso un apposito centro di smaltimento
- Fissare in sicurezza il prodotto durante il trasporto per evitare danni o incidenti.
- Conservare il prodotto in un'area chiusa a chiave per impedire l'accesso a bambini o persone non autorizzate.

- Conservare il prodotto in un luogo asciutto e al riparo dal gelo.

Smaltimento

- Rispettare le norme locali sul riciclaggio e le normative vigenti.
- Smaltire tutte le sostanze chimiche, quali olio motore o carburante, presso un centro assistenza o un centro di smaltimento applicabili.
- Quando il prodotto non è più in uso, inviarlo a un rivenditore Husqvarna o smaltirlo presso un impianto di riciclo.

Dati tecnici

Dati tecnici

	KLIPPO LB 448S	KLIPPO LB 448SQ	KLIPPO LB 453S	KLIPPO LB 453SQ	KLIPPO LB 548SQe
Motore					
Marchio	Honda	Husqvarna	Honda	Husqvarna	Husqvarna
Modello	GCVX-145	HS 166AP	GCVx-170	HS 166AP	HS 166AP
Tipo di motore	Cilindro singolo, 4 tempi, raffreddamento ad aria forzata, OHV	Cilindro singolo, 4 tempi, raffreddamento ad aria forzata, OHV	Cilindro singolo, 4 tempi, raffreddamento ad aria forzata, OHV	Cilindro singolo, 4 tempi, raffreddamento ad aria forzata, OHV	Cilindro singolo, 4 tempi, raffreddamento ad aria forzata, OHV
Cilindrata, cm ³	145	166	166	166	166
Velocità, giri/min	2900	2900	2900	2900	2900
Potenza nominale motore, kW ⁶¹	2,7	2,75	3,3	2,75	2,75
Impianto di accensione					
Candela	NGK BPR5ES	Husqvarna HQT-7	NGK BPR5ES	Husqvarna HQT-7	Husqvarna HQT-7
Distanza tra gli elettrodi, mm	0,7 - 0,8	0,7-0,8	0,7 - 0,8	0,7-0,8	0,7-0,8
Carburante e sistema di lubrificazione					
Tipo lubrificante del motore	Lubrificazione per sbattimento	Lubrificazione per sbattimento	Lubrificazione per sbattimento	Lubrificazione per sbattimento	Lubrificazione per sbattimento
Capacità serbatoio carburante, litri	0,9	1,5	0,9	1,5	1,5
Capacità serbatoio dell'olio, litri	0,5	0,5	0,55	0,5	0,5
Olio motore ⁶²	Husqvarna SAE 30	Husqvarna SAE 30	Husqvarna SAE 30/SAE 10W-30	Husqvarna SAE 30/SAE 10W-30	Husqvarna SAE 30/SAE 10W-30
Peso					
Con serbatoi vuoti, kg	30,5	32,5	33	33,5	34,5

⁶¹ La potenza nominale del motore indicata corrisponde alla potenza netta media (al rapporto giri/min specificato) di un tipico motore in fase di produzione per il modello di motore misurato dalla normativa SAE J1349/ISO 1585. I motori per produzione di massa potrebbero presentare un valore diverso da questo. La potenza effettiva del motore installato nel prodotto finale dipende dalla velocità di funzionamento, dalle condizioni ambientali e da altri valori.

⁶² Se l'olio SAE-30 viene utilizzato a temperature inferiori a +5 °C, vi è il rischio che non lubrifici sufficientemente il motore. Ciò può causare danni al motore. Fare riferimento a *Cambio dell'olio motore alla pagina 180* per informazioni sull'olio corretto da utilizzare in presenza di basse temperature.

	KLIPPO LB 448S	KLIPPO LB 448SQ	KLIPPO LB 453S	KLIPPO LB 453SQ	KLIPPO LB 548SQe
Emissioni di rumore ⁶³					
Livello di potenza acustica, misurato dB(A)	90	93	91	94	92
Livello acustico, garantito L _{WA} dB(A)	91	93	94	95	93
Livelli di rumorosità ⁶⁴					
Livello di pressione acustica all'orecchio dell'operatore, dB(A)	77	79	78	81	79
Livelli di vibrazioni, a_{hveq} ⁶⁵					
Impugnatura, m/s ²	4,5	4,2	5,3	6,4	4,0
Attrezzatura di taglio					
Altezza di taglio, mm	30-60	30-60	30-60	30-60	30-60
Larghezza di taglio, mm	480	480	530	530	480
Lama	Mulching - 48 cm	Mulching - 48 cm	Mulching - 53 cm	Mulching - 53 cm	Mulching - 48 cm
	5028813-10	5028813-10	5028814-10	5028814-10	5028813-10
Trazione					
Velocità, km/h	4,5	4,5	4,5	4,5	4,5

⁶³ Emissioni di rumore nell'ambiente misurate come potenza sonora (L_{WA}) in base alla direttiva CE 2000/14/CE.

⁶⁴ Livello di pressione acustica in ottemperanza alla norma ISO 5395. I dati riportati per il livello di pressione acustica hanno una dispersione statistica tipica (deviazione standard) di 1,2 dB(A).

⁶⁵ Livello di vibrazioni in base alla norma ISO 5395. I dati riportati per il livello di vibrazioni presentano una dispersione statistica tipica (deviazione standard) di 0,2 m/s².

Dichiarazione di conformità

Dichiarazione di conformità UE

Husqvarna AB, SE-561 82 Huskvarna, Svezia, tel.:
+46-36-146500, dichiara sotto la propria esclusiva
responsabilità che il prodotto indicato:

Descrizione	Tagliaerba
Marchio	Husqvarna
Tipo / Modello	KLIPPO LB 448S, KLIPPO LB 453S, KLIPPO LB 448SQ, KLIPPO LB 453SQ, KLIPPO LB 548SQe
Identificazione	Numeri di serie a partire da 2022 e successivi

È pienamente conforme alle seguenti norme e direttive
UE:

Direttiva/norma	Descrizione
2006/42/CE	"sulle macchine"
2014/30/UE	"sulla compatibilità elettromagnetica"
2000/14/CE	"sull'emissione di rumore nell'ambiente"
2011/65/UE	"sulla restrizione dell'uso di determinate sostanze pericolose nelle apparecchiature elettriche ed elettroniche"

e che sono applicati gli standard e/o le specifiche
tecniche seguenti: EN ISO 5395-1:2013/A1:2018,
EN ISO 5395-2:2013/A1:2016/A2:2017, EN ISO
14982:2009, EN IEC 63000:2018.

Organo competente: 0404, RISE SMP Svensk
Maskinprovning AB, Box 4053, SE-904 03 Umeå,
Sweden. ha certificato la conformità alla Direttiva del
Consiglio 2000/14/CE, procedura di valutazione della
conformità: Allegato VI

Per informazioni sulle emissioni acustiche, fare
riferimento a *Dati tecnici alla pagina 182*.

Huskvarna, 2023-02-07



Claes Lossdal, Responsabile sviluppo/Prodotti da
giardino, Husqvarna AB

Responsabile della documentazione tecnica



目次

はじめに.....	185	メンテナンス.....	190
安全性.....	186	搬送、保管、廃棄.....	194
組立.....	189	主要諸元.....	195
Operation(操作).....	189	適合宣言.....	197

はじめに

製品の説明

本製品は、BioClip®により刈った芝を堆肥化できる手押し式ロータリー芝刈機です。

製品の概要

(図 1)

1. ハンドル / ハンドルバー
2. エンジンブレーキハンドル
3. ドライブレバー
4. スターターロープハンドル
5. オイルキャップ
6. ベルトガード
7. マフラー
8. スパークプラグ
9. ベルトガード
10. 燃料タンク
11. ハンドルの角度調整レバー
12. 防振装置
13. クラッチワイヤー調整器
14. 刈高調整レバー
15. 燃料バルブ
16. エアフィルター
17. カuttingカバー
18. スプリングワッシャー
19. ブレードボルト
20. ブレード
21. ブレードサポート
22. マルチプラグ KLIPPO LB 448S, KLIPPO LB 448SQ, KLIPPO LB 548SQe
23. 取扱説明書

製品に表記されるシンボルマーク

- (図 2) 警告：不注意な取り扱いや誤った取り扱いには作業者や周囲の人などに傷害を与え、時には致命的な傷害を引き起こすことがあります。
- (図 3) この取扱説明書をよくお読みになり、内容をしっかりと把握したうえで、使用してください。
- (図 4) 飛び散ったり跳ね返ってくる物体に気を付けてください。

用途

本製品は芝刈り用です。他の作業に本製品を使用しないでください。

- (図 5) 作業領域からは人や動物との安全な距離を保ってください。
- (図 6) 修理やメンテナンスを行う前に、エンジンを切り、イグニッションケーブルを外してください。
- (図 7) 警告：回転部品に手や足を近づけないでください。
- (図 8) 警告：回転しているブレードに手や足を近づけないでください。
- (図 9) この製品は EC 指令適合製品です。
- (図 10) 本製品の保証音響レベルは次の場所とラベルに記載されています：
- (図 11) 本製品はユーラシア関税同盟指令適合製品です。KLIPPO LB 448S & KLIPPO LB 453S に対してのみ有効です。
- (図 12) 環境に対する騒音レベルは EC 指令と英国の指令および規制、ニューサウスウェールズの法規「Protection of the Environment Operations (Noise Control) Regulation 2017」に準拠しています。本製品の保証音響レベルは次の場所とラベルに記載されています： 主要諸元 195 ページ。
- (図 13) スキャン用のコード

注記： 本製品に付いている他のシンボル / 銘板は、市場固有の法的要件を示します。

ステッカー(オーストラリアおよびニュージーランド向け製品のみ)

(図 14)

回転しているブレードに手や足を近づけないでください。

ユーロV 排出規制



警告： エンジンを改造すると、この製品の EC 型式認証が無効になります。

製造物責任

製造物責任法に基づき、当社は、次の場合については本製品を原因とする損傷について責任を負いません。

- 本製品が誤って修理された場合。
- メーカーによるものではない部品、またはメーカーの認可していない部品を使用して本製品を修理した場合。
- メーカーによるものではないアクセサリ、またはメーカーの認可していないアクセサリを本製品に使用した場合。
- 認定サービスセンターまたは認定機関で本製品が修理されていない場合。

安全性

安全性の定義

警告、注意、注記は、取扱説明書の特に重要な部分を示しています。



警告： 取扱説明書の指示に従わない場合、使用者が負傷したり、死亡したりするか、あるいは付近の人に損傷を与える危険があることを意味します。



注意： 取扱説明書の指示に従わない場合、製品や他の物品、または隣接するエリアに損傷を与える危険があることを意味します。

注記： 特定の状況で必要とされる詳細情報を提供するために使用されます。

一般的な安全注意事項



警告： 本製品を使用する前に、以下の警告指示をお読みください。

- 本製品は、慎重かつ適切に使用しないと、危険な道具となります。安全注意事項に従わないと、負傷や死亡事故が発生するおそれがあります。
- 本製品では、運転中に電磁場が発生します。この電磁場は、ある条件下でアクティブ、またはパッシブな医療用インプラントに影響を及ぼすことがあります。深刻な傷害または致命傷の危険を避けるため、医療用インプラントを使用している方は、本製品を使用する前に主治医および医療用インプラントの製造元に相談することをお勧めします。
- 常に常識に基づいて注意して使用してください。特殊な状況での本製品の操作方法がわからない場合、作業を続ける前に本製品を停止して、Husqvarna 販売店までご連絡ください。
- 第三者やその所有物が事故に巻き込まれた場合、その責任は、作業員にあることをご留意ください。
- 本製品は清潔に保ってください。標識やラベルがはっきりと読み取れるようにしてください。

- 取扱説明書を読んで内容を理解した人へのみ本製品を使用させてください。
- 子供に本製品を操作させないでください。
- 子供を作業エリアに近づけないでください。責任を有する大人が常にそばにいる必要があります。
- 指示を理解していない人に本製品を操作させないでください。
- 身体的、精神的にハンデを負った人が本製品を使用する場合は常に監視してください。責任を有する大人が常にそばにいる必要があります。
- 疲労時、疾病時、アルコールや医薬品の影響が残っているときは、本製品を使用しないでください。視力、注意力、動作、判断力に悪影響を与えます。
- 損傷した製品や正しく動作しない製品は使用しないでください。
- 本製品を改造しないでください。また、本製品が改造されている可能性がある場合は使用しないでください。
- エンジンの速度制御の調整を変更しないでください。

作業エリアの安全



警告： 本製品を使用する前に、以下の警告指示をお読みください。

- 本製品を使用する前に、大小の枝や石などの物体を作業範囲から取り除いてください。
- カutting装置にぶつかった物体がはじかれて、人が怪我をしたり物が損傷したりするおそれがあります。本製品から周囲の人や動物との安全な距離を保ってください。
- 霧、雨、強風、極寒、雷の危険などの悪天候下で本製品を使用しないでください。悪天候下や、湿気のある場所、濡れた場所で本製品を使用すると疲労します。悪天候の場合、路面が滑りやすくなるなど、危険な状態を引き起こすことがあります。
- 製品の安全な操作を妨げる可能性がある人、物、状況に注意してください。
- 根、石、小枝、窪み、溝などの障害物に注意してください。長い芝の中に障害物が隠れていることがあります。

- ・ 斜面で芝を刈ることは危険を伴います。15 度を超える斜面では、本製品を使用しないでください。
- ・ 斜面を横切りながら本製品を操作してください。上下に移動しないでください。
- ・ 陰になった隅や視界を遮るものに近づくときは気を付けてください。

- ・ エンジンの作動中は、本製品を操作しながら走らな
いでください。製品を操作するときは、必ず歩いて
ください。
- ・ 刈高を変更する場合は、まずエンジンを停止してく
ださい。エンジンが作動している状態での調整は決
して行わないでください。
- ・ エンジンが作動している状態で、見えない場所に製
品を放置しないでください。エンジンを停止し、カ
ッティング装置が回転していないことを確認してく
ださい。

安全な作業



警告： 本製品を使用する前に、以下の警
告指示をお読みください。

- ・ 本製品は芝生刈りにのみ使用してください。他の作
業には使用できません。
- ・ 身体保護具を使用してください。使用者の身体保護
具 187 ページを参照してください。
- ・ 緊急時にエンジンをすばやく停止する方法を必ず確
認してください。
- ・ 閉鎖された空間または可燃性物質の近くでエンジ
ンを始動しないでください。エンジンの排気ガスは高
温で火花を含むことがあり、火災発生の原因となり
ます。
- ・ ブレードやすべてのカバーを適切に装着してから本
製品を始動させてください。ブレードが適切に装着
されていないと、緩んで、怪我をすることがありま
す。
- ・ ブレードが石や根などの物体にぶつからないよう
に気を付けてください。ブレードが損傷したり、エン
ジンシャフトが曲がったりするおそれがあります。
シャフトが曲がると振動が激しくなり、ブレードが
緩む危険性が非常に高くなります。
- ・ ブレードが物に当たったり振動が発生したりした場
合は、すぐに本製品を停止してください。スパーク
プラグからイグニッションケーブルを外してくださ
い。製品に損傷がないか点検します。損傷部を修復
するが、正規サービス代理店に修理を依頼してくだ
さい。
- ・ エンジンの始動時は、エンジンブレーキハンドルを
ハンドルに完全に固定しないでください。
- ・ 製品を平らで安定した面に置き、始動します。ブレ
ードが地面やその他の物に触れないよう、注意して
ください。
- ・ 本製品の操作時は、必ず製品の後ろに立ってください。
い。
- ・ 製品を操作するときは、すべてのホイールを地面につ
け、両手でハンドルをつかんで操作してください。
回転しているブレードに手や足を近づけないでくだ
さい。
- ・ エンジンの作動中は、本製品を傾けないでください。
い。
- ・ 製品を後方に引くときは注意してください。
- ・ エンジンの作動中は、本製品を持ち上げないでくだ
さい。エンジンを持ち上げる必要がある場合は、最初
にエンジンを停止し、スパークプラグからイグニ
ッションケーブルを取り外してください。
- ・ 本製品を操作するときは、後ろ向きに歩かないでく
ださい。
- ・ 砂利、石、アスファルトなど、芝面以外の領域を横
切るときは、エンジンを停止してください。

操作のための安全注意事項

使用者の身体保護具



警告： 本製品を使用する前に、以下の警
告指示をお読みください。

- ・ 身体保護具で怪我を完全に防止できるわけではあり
ませんが、万が一事故が起こった場合、負傷の度合い
を軽減することができます。適切な保護具の選択
については、販売店にご相談ください。
- ・ 騒音レベルが 85 dB を超える場合は、イヤマフを使
用してください。
- ・ 丈夫で滑りやすいブーツや靴を着用してください。開
放部の多い靴を使用したり、裸足で作業を行ったり
しないでください。
- ・ 厚手の長ズボンを着用してください。
- ・ カッティング装置の取り付け、点検、清掃を行う場
合は、必要に応じて保護グローブを着用してくださ
い。

本製品の安全装置



警告： 本製品を使用する前に、以下の警
告指示をお読みください。

- ・ 損傷している、または正しく動作していない安全装
置を取り付けた状態で、製品を使用しないでくだ
さい。
- ・ 安全装置は定期的な点検してください。安全装置が
損傷している、または正しく動作していない場合は、
Husqvarna サービス代理店にお問い合わせください。
い。
- ・ 安全装置は改造しないでください。

カッティングカバーの点検方法

カッティングカバーは、本製品の振動を抑え、ブレード
で負傷する危険性を低減します。

- ・ カッティングカバーを点検して、亀裂などの損傷が
ないことを確認してください。

ベルトガードの点検

ベルトガードは、負傷の危険性を低減し、損傷したドラ
イブベルトが飛び出すことを防止します。

- ベルトガードに損傷がなく、正しく取り付けられていることを確認します。(図 15)

エンジンプレーキハンドル

エンジンプレーキハンドルは、エンジンを停止させるためのものです。エンジンプレーキハンドルを放すと、エンジンが停止します。

エンジンプレーキを点検するには、エンジンを始動してから、エンジンプレーキハンドルを放します。エンジンが3秒で停止しない場合は、Husqvarna の認証サービスマスター代理店にエンジンプレーキの調整を依頼してください。

(図 16)

防振装置の点検



警告： 血液の循環が悪い人が振動を長期間受け続けると、循環器障害や神経障害を引き起こすおそれがあります。過度の振動を受けたために症状が現れた場合は、医師の診断を受けてください。症状にはしびれ、感覚まひ、うずき、ちくちくする痛み、刺すような痛み、力が入らない、皮膚の色や状態の変化などがあります。これらの症状は通常、指や手の甲、手首に現れます。

防振装置は、使用中のハンドルの振動を軽減します。

ハンドルバーとカッピングカバーのスチールチューブが振動を軽減します。KLIPPO LB 548SQe の場合は、ハンドルバーに4つの防振ユニットが取り付けられています。

- ハンドルバーと防振ユニットを点検して、損傷がないことを確認します。(図 17)

ブレードサポート

ブレードサポートは、エンジンシフトが曲がるリスクを低減します。ブレードが物体に当たった場合、ブレードはブレードサポートの方に動きます。この動きにより、ブレードサポートの表面が摩耗します。摩耗は、エンジンシャフトの保護が正しく機能していることを示します。

マフラー

マフラーは騒音レベルを最小限に抑え、排気ガスを作業者から遠ざける働きをします。

マフラーがない、または損傷している場合は、本製品を使用しないでください。マフラーに損傷があると、騒音レベルと火災発生の危険が増加します。



警告： 使用中、使用直後およびエンジンがアイドリング速度で稼働しているときはマフラーが高温になります。可燃性の材料やガスの近くでは火災に注意してください。

マフラーの点検方法

- マフラーを定期的に点検して、正しく取り付けられているか、損傷していないかを確認してください。

燃料の安全について



警告： 本製品を使用する前に、以下の警告指示をお読みください。

- 本製品に燃料やエンジンオイルが付着している場合は始動しないでください。不要な燃料やオイルを本製品から除去し、乾かしてください。
- 衣服にガソリンをこぼした場合は、すぐに着替えてください。
- 燃料が身体に付着しないようにしてください。負傷する場合があります。身体に燃料が付着した場合は、石鹸と水を使用して燃料を洗い流してください。
- エンジンに漏れがある場合は、本製品を始動しないでください。エンジンに漏れがないかどうかは定期的に点検してください。
- 燃料に注意してください。燃料は可燃性で蒸気には爆発性があるため、負傷や死亡に至ることがあります。
- 燃料の蒸気を吸引しないでください。負傷の原因になることがあります。十分な空気の流れを確保してください。
- 燃料やエンジンのそばで喫煙しないでください。
- 燃料やエンジンのそばに温かい物を置かないでください。
- エンジンの稼働中は、燃料を補充しないでください。
- 燃料の補充は、エンジンが冷えてからにしてください。
- 燃料を補充する前に、燃料タンクのキャップを開けて慎重に圧力を解放してください。
- 屋内でエンジンに燃料を補充しないでください。十分な空気の流れがないと、窒息や一酸化炭素中毒によって負傷や死亡に至ることがあります。
- 燃料タンクキャップを完全に締め込んでください。燃料タンクキャップが締め込まれていない場合、火災発生の危険があります。
- 始動する前に、燃料を充填した場所から本製品を3m (10 フィート) 以上移動させてください。
- 燃料タンクいっぱいには充填しないでください。高温になると、燃料が膨張します。燃料タンクの上部に余裕があるようにください。

メンテナンスのための安全注意事項



警告： 本製品を使用する前に、以下の警告指示をお読みください。

- エンジンの排気ガスには、無臭で有毒な危険性の高いガスである一酸化炭素が含まれます。屋内または閉鎖された空間でエンジンを始動しないでください。

- 本製品のメンテナンスを実施する前に、エンジンを停止し、スパークプラグからイグニッションケーブルを取り外してください。
- カutting装置のメンテナンスを実施するときは、保護グローブを使用してください。ブレードは非常に鋭いため、切り傷を負う危険性があります。
- メーカーが認可していないアクセサリを使用や本製品の改造は、重傷や死亡事故の原因となるおそれがあります。本製品を改造しないでください。必ず、メーカー認可済みのアクセサリを使用してください。
- メンテナンスが正しく定期的実施されていない場合は、負傷や本製品の損傷の危険性が高まります。
- 取扱説明書に記載されているメンテナンスのみを実施してください。他のすべてのサービス作業は、Husqvarnaの認証サービス代理店が実施する必要があります。
- Husqvarnaの認証サービス代理店で定期的に本製品のサービス作業を実施する必要があります。
- 損傷、摩耗、破損した部品は交換してください。

組立

はじめに



警告： 本製品を組み立てる前に、安全に関する章をお読みになり、内容を理解してください。



警告： 本製品を組み立てる前に、スパークプラグからスパークプラグケーブルを取りはずしてください。

ハンドルの組み立てと調整

1. 上部ハンドルのプレートからハンドルナットとワッシャーを取り外します。
2. 上部ハンドルを下部ハンドルの上に配置します。



注意： ワイヤーが引っかかったり、損傷したりしていないことを確認します。

3. ワッシャーとハンドルナットを取り付けます。(図 18)
4. 壁の近くで本製品を操作するときは、ハンドルを横に回して快適な操作位置に調整します。(図 19)
5. ハンドルを水平に調整するには、シャーシの調整ホイールを回します。(図 20)

マルチプラグの組み立て (KLIPPO LB 448S, KLIPPO LB 448SQ, KLIPPO LB 548SQe)

1. スパークプラグを上にして本製品を後方に傾けます。
2. Cuttingカバーの内側からマルチプラグのピンを穴に入れます。(図 21)
3. Cuttingカバーの外側からマルチプラグのネジを取り付けます。(図 22)

Operation (操作)

はじめに



警告： 本製品を操作する前に、安全に関する章をお読みになり、内容を理解してください。

Husqvarna Connect

Husqvarna Connect は、モバイルデバイス用の無料アプリです。Husqvarna Connect アプリは、お持ちのHusqvarna 製品の拡張機能を提供します。

- 拡張製品情報。
- 製品の部品とサービスに関する情報とヘルプ。

Husqvarna Connect の使い方

1. Husqvarna Connect アプリをモバイルデバイスにダウンロードします。
2. Husqvarna Connect アプリで登録を行います。

3. Husqvarna Connect アプリの指示に沿って、製品を接続して登録します。

本製品を操作する前に

1. この取扱説明書をよくお読みになり、内容をしっかりと把握してください。
2. Cutting装置を点検し、正しく取り付けられ、調整されていることを確認します。Cutting装置の点検方法 192 ページを参照してください。
3. 燃料タンクを充填します。燃料の充填方法 189 ページを参照してください。
4. オイルタンクにオイルを注入し、油面をチェックします。オイルレベルのチェック 192 ページを参照してください。

燃料の充填方法

使用可能な場合は、低排出 / アキレートガソリンを使用してください。低排出 / アキレートガソリンを使用できない場合は、高品質の無鉛プレミアムガソリンを使用す

るが、オクタン価が 90 以上の無鉛ガソリンを使用して
ください。



注意： オクタン価が 90 RON (87 AKI)
未満のガソリンは使用しないでください。
本製品が損傷する場合があります。

1. 燃料タンクキャップをゆっくりと開いて、圧力を解放します。
2. 燃料缶を使用してゆっくり補充してください。燃料をこぼした場合は、布で拭き取り、残った燃料を乾燥させてください。(図 23)
3. 燃料タンクキャップの周囲をきれいにしてください。
4. 燃料タンクキャップを完全に締め込んでください。燃料タンクキャップが締め込まれていない場合、火災発生の危険があります。
5. 始動する前に燃料を入れた場所から本製品を 3 m (10 フィート) 以上移動させてください。

刈高の設定

刈高は 6 段階に調節できます。

1. 刈高を高くするには、刈高レバーを前方に動かします。
2. 刈高を低くするには、刈高レバーを後方に動かします。



注意： 刈高を低く設定しすぎないでください。芝生の表面が水平でない場合、ブレードが地面に当たるおそれがあります。

本製品の始動方法

1. イグニッションケーブルがスパークプラグに接続されていることを確認してください。
2. 燃料バルブを開きます。(図 24)
3. 製品の後ろに立ってください。
4. エンジンブレーキハンドルをハンドルバーの方へ引きます。(図 25)
5. 右手でスターターロープハンドルを握ります。
6. 抵抗を感じるまで、スターターロープをゆっくりと引き出します。

7. 力を入れて引き、エンジンを始動します。



警告： スターターロープを手に巻き付けないでください。



注意： スターターロープを完全に引き出さないでください。スターターロープを引いているときは、スターターロープハンドルを放さないでください。

ドライブホイールの使用

- ドライブレバーを押し下げます。(図 26)
- 製品を後ろ向きに引く場合は、まずドライブを解除し、製品を約 10 cm 前方に押してから行ってください。
- 障害物に近づいたときなどは、エンジンブレーキハンドルを少し放してドライブを解除します。

本製品の停止方法

- ドライブのみを停止するには、エンジンブレーキハンドルを少し放します。
- エンジンを停止するには、エンジンブレーキハンドルを完全に放します。
- 燃料バルブを閉じます。(図 27)

良好に芝を刈る方法

- 必ず鋭利なブレードを使用してください。ブレードが鈍っていると、刈り取りにばらつきが出て、芝の切口が黄ばびます。鋭利なブレードを使用すると、鈍いブレードを使用した場合より労力が少なくて済みます。
- 芝の長さの $\frac{1}{3}$ 以上刈らないでください。まず刈高を高く設定して刈ります。結果を確認し、必要なレベルまで刈高を下げます。芝がかなり長い場合は、ゆっくり運転し、必要に応じて刈り取り作業を 2 回行ないます。
- 1 回目と 2 回目は別の方向に向かって刈り、芝面に筋がつかないようにします。
- カuttingカバーの汚れは落としてください。カuttingカバーの内側に草や土がたまること、芝刈りの結果が悪くなります。製品外部を洗浄するには 191 ページを参照してください。

メンテナンス

はじめに



警告： メンテナンスを行う前に、安全に関する章をお読みになり、内容を理解してください。

本製品のすべての整備と修理作業には、特別な訓練が必要です。当社では責任をもって専門的な修理と整備作業を提供します。お客様の販売店がサービス代理店でない

場合は、最寄りのサービス代理店に関する情報をお問い合わせください。

詳しくは、www.husqvarna.com を参照してください。

メンテナンスのスケジュール

メンテナンス間隔は、本製品が毎日使用されることを前提に算出されています。本製品を毎日使用しない場合は、メンテナンス間隔が変わります。

「*」の付いているメンテナンスについては、本製品の安全装置 187 ページを参照してください。

メンテナンス	毎日	毎週	毎月
一般点検の実施	X		
油面の点検	X		
製品の清掃	X		
エアフィルターの清掃	X		
カッティング装置の点検	X		
カッティングカバーの点検*	X		
エンジンプレーキハンドルの点検*	X		
マフラーの点検*		X	
スパークプラグの点検		X	
カッティングブレードに損傷がないことの点検			X
ギアハウジングの清掃			X
KLIPPO LB 448S, KLIPPO LB 453S の場合。オイルの交換 (最初は 5 時間の使用後、その後は 25 時間の使用ごと、年に 1 回)			X
KLIPPO LB 448SQ, KLIPPO LB 453SQ, KLIPPO LB 548SQe の場合。オイルの交換 (最初は 5 時間の使用後、その後は 100 時間の使用ごと、年に 1 回)			X
エアフィルターの交換			X
燃料システムの点検			X
ドライブの点検と調整 (クラッチワイヤー)			X

一般点検の実施方法

- 本製品のナットとネジがしっかりと締め込まれていることを確認してください。

製品外部を洗浄するには

- ブラシで、葉、草、土を取り除いてください。
- エンジン上部の空気取り込み口が塞がれていないことを確認してください。
- 本製品の清掃には高圧水を使用しないでください。
- 水を使用して製品を洗浄する場合は、エンジンに直接水をかけないでください。

カッティングカバーの内面の清掃

- マフラーを下にして、本製品を横向きに置きます。



注意: 製品にエアフィルターを取り付けている場合は、エンジンが破損することがあります。

- ホースを使ってカッティングカバーの内側の表面を水で洗浄します。

ドライブベルトの点検とギアハウジングの清掃

- ベルトガードのネジ 4 本とベルトカバーを取り外します。(図 28)
- ドライブベルトとベルトプーリーに損傷がないか点検します。
- ブラシを使用してギアハウジングから草や土を払い落とします。(図 29)

ドライブベルトの交換と調整

- ベルトガードのネジ 4 本とベルトカバーを取り外します。(図 28)
- 本製品の右のフロントホイールに対して、マイナスのドライバーをハブキャップとホイールの間に入れます。
- ドライバーを慎重に回してハブキャップを取り外します。
- ホイールボルトとホイールを取り外します。(図 30)
- ドライブベルトをベルトプーリーから外します。
- ベルトプーリーが軸の上を楽に回ることを確認します。

- 必要に応じて、ベルトプーリーの間と裏に浸透油をスプレーして軸を潤滑します。
- 新しいドライブベルトを設置して、ボールベアリングを取り付けてからドライブベルトを調整します。(図 31)
- ドライブベルトを調整するためにボールベアリングを上または下に動かします。(図 32)

注記： 新しいドライブベルトは、使用するにつれて長くなります。数時間使用した後にドライブベルトを再調整してください。

- ベルトガードを取り付けます。
- 本製品を操作して、ドライブベルトが正しく取り付けられ、調整されていることを確認します。

センターベルトの交換と調整

- ブレードを外します。

注記： センターベルトの調整のみ行う場合はこのステップは不要です。

- 調整ネジを数度回して緩めます。取り外さないでください。(図 33)
- センターベルトを交換して、調整ネジを少し締め込みます。

注記： センターベルトの調整のみ行う場合はこのステップは不要です。

- ギアを前方または後方に動かしてセンターベルトを調整します。(図 34)
- フックスケールを使用してセンターベルトの張りを確認します。中央で 6~10 mm 動かせる場合、ベルトの張りは適切です。これは 3 kg の牽引力に相当します。(図 35)
- 3 Nm のトルクで調整ネジを締め込みます。
- 本製品を操作して、ドライブベルトが正しく取り付けられ、調整されていることを確認します。

カッティング装置の点検方法



警告： 誤って始動しないように、イグニッションケーブルをスパークプラグから取り外します。



警告： カッティング装置のメンテナンスを実施するときは、保護グローブを着用してください。ブレードは非常に鋭利なため、切り傷を負う危険性があります。

- カッティング装置に損傷やひび割れがないかどうか点検してください。損傷したカッティング装置は必ず交換してください。
- ブレードが破損していないか、鈍くなっていないかを確認してください。

注記： ブレードの目立て後は、ブレードのバランス調整が必要です。サービスセンターに依頼して、ブレードの目立て、交換、バランス調整を受けてください。製品が障害物に当たって停止した場合は、破損したブレードを交換してください。サービスセンターに依頼して、ブレードの目立てが可能かどうか、交換が必要かどうかを判断してもらってください。

ブレードの交換

- ブレードを木製ブロックでロックします。(図 36)
- ブレードボルト、スプリングワッシャー、ブレードを取り外します。(図 37)
- ブレードサポートとブレードボルトに損傷がないか点検します。
 - ブレードまたはブレードサポートを交換する場合は、ブレードボルト、スプリングワッシャー、フリクションワッシャーも交換してください。
- エンジンシャフトが曲がっていないか点を点検します。
- 新しいブレードを取り付けるときは、角度がついた端の部分をカッティングカバーの方向に向けます。(図 38)
- フリクションワッシャーとブレードをブレードサポートに取り付けます。(図 39)
- ブレードがエンジンシャフトの中心と合っていることを確認します。(図 40)
- ブレードを木製ブロックでロックします。(図 41)
- スプリングワッシャーを取り付け、ボルトを 80 Nm のトルクで締め付けます。(図 42)
- 手でブレードを引き回して、引っかかりなく回転することを確認します。



警告： 保護グローブを着用してください。ブレードは非常に鋭利なため、切り傷を負う危険性があります。

- 製品を始動してブレードのテストを実施します。ブレードが正しく取り付けられていない場合、製品に振動が発生するか、良好な刈り取り結果を得られません。

オイルレベルのチェック



注意： 油面が低すぎると、エンジンが損傷することがあります。製品を始動する前に油面を点検してください。

- 本製品を水平面に置きます。
- オイルレベルゲージが付いているオイルタンクキャップを取り外します。
- オイルレベルゲージのオイルを拭き取ります。
- オイルレベルゲージをオイルタンクに完全に入れます。オイルタンクキャップを締め、油面の正しい状況がわかるようにします。
- オイルレベルゲージを外します。

6. オイルレベルゲージで油面を点検します。
7. 油面が低すぎる場合は、エンジンオイルを充填し、もう一度油面をチェックします。

(図 43)

注記： 飛び散らないようにじょうごを使用します。

エンジンオイルの交換



警告： エンジンの停止直後は、エンジンオイルが非常に高温になっています。エンジンオイル排出前にエンジンを冷ましてください。エンジンオイルが皮膚に触れた場合は、石鹸と水で洗ってください。

(図 44)

1. スパークプラグからイグニッションケーブルを取り外します。
2. オイルタンクキャップを取り外します。
3. エンジンオイルを排出します。
 - a) オイルドレンプラグ付きモデルの場合：エンジンオイルを収集するためにオールドレンプラグの下にコンテナを置きます。
 - b) オールドレンプラグが付いていないモデル、またはオールドレンプラグの下にコンテナを置けない場合：オイルポンプ（アクセサリ）を使用してオイルタンクからエンジンオイルを抜き取ります。
4. 以下で推奨されているタイプの新しいエンジンオイルを充填します： *主要諸元 195* ページ。
5. 油面をチェックします。参照： *オイルレベルのチェック 192* ページ。

エアフィルター

注記： 長期間使用したエアフィルターの汚れを完全に除去することはできません。定期的にエアフィルターを交換します。破損したエアフィルターは必ず交換してください。

エアフィルターの取り外しと取り付け (KLIPPO LB 488SQ, KLIPPO LB 453SQ, KLIPPO LB 548Qe)



警告： 保護グローブを着用してください。

1. エアフィルターカバーのクリップを押します。
2. エンジンからエアフィルターカバー（A）を慎重に取り外します。
3. エアフィルター（B）とフォームフィルター（C）を取り外します。（図 45）

4. エアフィルターに損傷がないことを確認します。破損したエアフィルターを交換します。
5. エアフィルターを清掃して点検します。参照： *エアフィルターの清掃 (KLIPPO LB 448SQ, KLIPPO LB 453SQ, KLIPPO LB 548Qe) 193* ページ。
6. 逆の手順で取り付けます。

エアフィルターの清掃 (KLIPPO LB 448SQ, KLIPPO LB 453SQ, KLIPPO LB 548Qe)



注意： エアフィルターが取り付けられていない状態、またはエアフィルターが汚れている状態でエンジンを運転しないでください。



注意： エアフィルターがきれいにならない場合、または損傷している場合は、交換します。エアフィルターに損傷があると、エンジンの損傷の原因となります。

1. ラッチタブ（A）を押し、エアフィルターカバー（B）を外して、エアフィルター（C）を取り外します。（図 46）
2. エアフィルターを硬い面に当てるか、エアフィルターのきれいな側からエアフィルターに圧縮空気を吹き付けます。



注意： ブラシで汚れを取り除くことはできません。エアフィルターにほこりが押し込まれます。

3. 湿らせた布で、エアフィルターホルダー（D）とエアフィルターカバーを拭きます。



注意： エアダクト（E）に土が入らないようにしてください。

4. エアフィルターを取り付けます。エアフィルターとエアフィルターホルダーの間に隙間ができないようにしてください。
5. エアフィルターカバーは、下のタブから取り付けます。

エアフィルターの清掃 (KLIPPO LB 448S, KLIPPO LB 453S)



注意： エアフィルターが取り付けられていない状態、またはエアフィルターが汚れている状態でエンジンを運転しないでください。



注意： エアフィルターがきれいにならない場合、または損傷している場合は、交換します。エアフィルターに損傷があると、エンジンの損傷の原因となります。

1. ラッチタブ (A) を押し、エアフィルターカバー (B) を外して、エアフィルター (C) を取り外します。(図 47)
2. エアフィルターを硬い面に当てるか、エアフィルターのきれいな側からエアフィルターに圧縮空気を吹き付けます。



注意： ブラシで汚れを取り除くことはできません。エアフィルターにほこりが押し込まれます。

3. 湿らせた布で、エアフィルターホルダー (D) とエアフィルターカバーを拭きます。



注意： エアダクト (E) に土が入らないようにしてください。

4. エアフィルターを取り付けます。エアフィルターとエアフィルターホルダーの間に隙間ができないようにしてください。
5. エアフィルターカバーは、下のタブから取り付けます。

スパークプラグを点検するには



注意： 必ず、推奨されている種類のスパークプラグを使用してください。スパークプラグの種類が間違っていると、本製品が破損するおそれがあります。

- エンジンのパワーが出ない、なかなか始動しない、またはアイドルリング速度で適切に動作しない場合は、スパークプラグを点検します。

- スパークプラグ電極に異物が付着するリスクを下げるには、次の手順に従います。

- a) アイドリング速度が正しく調整されていることを確認します。
 - b) 適切な燃料混合物を使用していることを確認します。
 - c) エアフィルターに汚れがないことを確認します。
- スパークプラグが汚れていたら、きれいにしてから電極ギャップが適切であることを確認します。主要諸元 195 ページを参照してください。(図 48)
 - 必要に応じてスパークプラグを交換します。

燃料システムを点検するには

- 燃料タンクキャップと燃料タンクキャップのシールを確認し、破損していないことを確認します。
- 燃料ホースを点検し、漏れがないことを確認します。燃料ホースが破損している場合は、サービス代理店に交換を依頼してください。

クラッチワイヤーの調整

ドライブの速度が遅い場合は、クラッチワイヤーを調整する必要があります。

- 調整ネジを回します。(図 49)

クラッチワイヤーブラケットの位置がナットと合っている場合、クラッチワイヤーは正しく調整されています。

(図 50)

搬送、保管、廃棄

搬送と保管

- 本製品と燃料を保管、搬送する場合は、漏れや煙がないことを確認してください。電気装置やボイラーなどからの火花や裸火により、火災が発生する場合があります。
- 燃料を保管、搬送する場合は必ず、認証されたコンテナを使用してください。
- 本製品を長期間、保管場所に入れる場合は、燃料タンクを空にしてください。燃料は適切な廃棄場所に廃棄してください。
- 搬送中は本製品を安全に接続して、損傷や事故を防止してください。

- 本製品は鍵のかかる場所に保管して、子供や許可を得ていない人が近づけないようにしてください。
- 本製品は、乾燥した霜の降らない場所に保管します。

廃棄

- 地域のリサイクル要件および適用される法規に従ってください。
- すべての化学物質 (エンジンオイルや燃料など) はサービスセンターまたは適切な廃棄場所に廃棄してください。
- 本製品が不要になった場合は、Husqvarna 販売店に送付するか、リサイクル施設で廃棄してください。

主要諸元

主要諸元

	KLIPPO LB 448S	KLIPPO LB 448SQ	KLIPPO LB 453S	KLIPPO LB 453SQ	KLIPPO LB 548SQe
エンジン					
ブランド	ホンダ	Husqvarna	ホンダ	Husqvarna	Husqvarna
機種	GCVX-145	HS 166AP	GCVx-170	HS 166AP	HS 166AP
エンジンタイプ	1 シリンダー、 4 ストローク、 強制空冷、OHV	1 シリンダー、 4 ストローク、 強制空冷、OHV	1 シリンダー、 4 ストローク、 強制空冷、OHV	1 シリンダー、 4 ストローク、 強制空冷、OHV	1 シリンダー、 4 ストローク、 強制空冷、OHV
排気量、cm ³	145	166	166	166	166
回転速度、r/min	2900	2900	2900	2900	2900
公称エンジン出力、kW ⁶⁶	2.7	2.75	3.3	2.75	2.75
イグニションシステム					
スパークプラグ	NGK BPR5ES	ハスクバーナ HQT-7	NGK BPR5ES	ハスクバーナ HQT-7	ハスクバーナ HQT-7
電極ギャップ、mm	0.7 ~ 0.8	0.7 ~ 0.8	0.7 ~ 0.8	0.7 ~ 0.8	0.7 ~ 0.8
燃料および潤滑システム					
エンジンの潤滑タイプ	はねかけ式	はねかけ式	はねかけ式	はねかけ式	はねかけ式
燃料タンク容量、リットル	0.9	1.5	0.9	1.5	1.5
オイルタンク容量、リットル	0.5	0.5	0.55	0.5	0.5
エンジンオイル ⁶⁷	ハスクバーナ SAE 30	ハスクバーナ SAE 30	ハスクバーナ SAE 30/SAE 10W-30	ハスクバーナ SAE 30/SAE 10W-30	ハスクバーナ SAE 30/SAE 10W-30
質量					
燃料タンクが空の場合 (kg)	30.5	32.5	33	33.5	34.5
騒音排出⁶⁸					
音響パワーレベル、測定 dB (A)	90	93	91	94	92
音響パワーレベル、保証 L _{WA} dB (A)	91	93	94	95	93

⁶⁶ 表示エンジンの電気定格は、(指定 r/min での) 平均実質電気出力で、SAE 基準 J1349/ISO1585 で測定したエンジンモデル向けの一般生産エンジンに対応しています。大量生産用エンジンは、この値と異なることがあります。最終製品に据え付けたエンジンの実際の電気出力は、運転スピード、環境状態およびその他の値によって異なります。

⁶⁷ +5 °C 以下の気温で SAE-30 オイルを使用した場合、エンジンが十分に潤滑されない可能性があります。これにより、エンジンが損傷するおそれがあります。参照：エンジンオイルの交換 193 ページ (低温に適したオイルについて)。

⁶⁸ 環境における騒音の排出は、EC 指令 2000/14/EC に従って、音響パワー (L_{WA}) として測定。

	KLIPPO LB 448S	KLIPPO LB 448SQ	KLIPPO LB 453S	KLIPPO LB 453SQ	KLIPPO LB 548SQe
サウンドレベル ⁶⁹					
使用者の耳における音圧レベル (dB (A))	77	79	78	81	79
振動レベル (a_{hveq}) ⁷⁰					
ハンドル、m/s ²	4.5	4.2	5.3	6.4	4.0
カッティング装置					
刈高、mm	30 ~ 60	30 ~ 60	30 ~ 60	30 ~ 60	30 ~ 60
刈幅、mm	480	480	530	530	480
ブレード	マルチ - 48 cm 5028813-10	マルチ - 48 cm 5028813-10	マルチ - 53 cm 5028814-10	マルチ - 53 cm 5028814-10	マルチ - 48 cm 5028813-10
ドライブ					
速度、km/h	4.5	4.5	4.5	4.5	4.5

⁶⁹ 騒音音圧レベルは ISO 5395 に準拠。報告データによれば、騒音音圧レベルの一般的な統計上のばらつき（標準偏差）は、1.2 dB (A) です。

⁷⁰ 振動レベルは ISO 5395 に準拠。報告データによれば、等価振動レベルの一般的な統計上のばらつき（標準偏差）は、0.2 m/s² です。

適合宣言

EU 適合宣言

ハスクバーナ社 (Husqvarna AB, SE-561 82 Huskvarna, Sweden、電話番号 : +46-36-146500) は、単独責任のもとで、以下の製品の適合を宣言します。

名称	芝刈機
ブランド	Husqvarna
タイプ / モデル	KLIPPO LB 448S, KLIPPO LB 453S, KLIPPO LB 448SQ, KLIPPO LB 453SQ, KLIPPO LB 548SQe
ID	2022 年以降の製造番号

が以下の EU 指令および規制を完全に順守し、

指令 / 規制	名称
2006/42/EC	「機械類に関する」
2014/30/EU	「電磁環境適合性に関する」
2000/14/EC	「環境への騒音排出に関する」
2011/65/EU	「電気・電子製品に含まれる特定有害物質の使用制限に関する」

および以下の規格または技術仕様が適用されています。
EN ISO 5395-1:2013/A1:2018, EN ISO 5395-2:2013/
A1:2016/A2:2017, EN ISO 14982:2009, EN IEC
63000:2018。

試験機関 : 0404, RISE SMP Svensk Maskinprovning AB,
Box 4053, SE-904 03 Umeå, Sweden. が評議会指令
2000/14/EC 適合性評価補足 VI の準拠を確認しました。

騒音排出に関する詳細 : 主要諸元 195 ページ。

Huskvarna, 2023-02-07



開発マネージャー / ガーデン製品担当 Claes Losdal,
Husqvarna AB

正式代表兼技術文書担当



TURINYS

Įvadas.....	198	Techninė priežiūra.....	203
Sauga.....	199	Transportavimas, saugojimas ir utilizavimas.....	207
Surinkimas.....	202	Techniniai duomenys.....	207
Naudojimas.....	202	Atitikties deklaracija.....	210

Įvadas

Gaminio aprašas

Šis gaminys yra savaeigė sukamoji veļapjovė, kuri naudojama BioClip® smulkina žolę ir paverčia ją trąša.

Gaminio apžvalga

(Pav. 1)

1. Rankena / valdymo rankena
2. Variklio stabdymo rankena
3. Pavaros svirtis
4. Starterio virvės rankena
5. Alyvos dangtelis
6. Diržo apsauga
7. Duslintuvas
8. Degimo žvakė
9. Diržo apsauga
10. Degalų bakelis
11. Svirtis rankenos kampo reguliavimui
12. Vibracijos slopinimo sistema
13. Sankabos kabelio reguliavimas
14. Pjovimo aukščio reguliavimo svirtis
15. Degalų vožtuvas
16. Oro filtras
17. Pjovimo gaubtas
18. Spyruoklės poveržlė
19. Disko varžtas
20. Peilis
21. Peilių atrama / laikiklis
22. Mulčiavimo priedas KLIPPO LB 448S, KLIPPO LB 448SQ, KLIPPO LB 548SQe
23. Naudojimo instrukcija

Simboliai ant gaminio

- (Pav. 2) ĮSPĖJIMAS. Aplaidžiai ar netinkamai naudojant gali būti rimtai ar net mirtinai sužalotas operatorius ar kiti žmonės.
- (Pav. 3) Prieš naudodami, atidžiai perskaitykite naudojimo instrukciją ir įsitikinkite, kad viską gerai supratote.
- (Pav. 4) Saugokitės išmetamų ir rikošetu atšokusių daiktų.

Numatytasis naudojimas

Gaminį naudokite žolei pjauti. Nenaudokite gaminio kitiems darbams.

- (Pav. 5) Asmenims ir gyvūnams būtina laikytis saugaus atstumo nuo darbo zonos.
- (Pav. 6) Prieš taisydami ar prižiūradami sustabdykite variklį ir atjunkite uždegimo kabelį.
- (Pav. 7) Įspėjimas. Saugokite rankas bei kojas ir neikiškite jų prie besisukančių dalių.
- (Pav. 8) Įspėjimas. Saugokite rankas bei kojas ir neikiškite jų prie besisukančio peilio.
- (Pav. 9) Šis įrenginys atitinka jam taikomas EB direktyvas.
- (Pav. 10) Šis gaminys atitinka taikytinų JK reglamentų nuostatas.
- (Pav. 11) Šis gaminys atitinka taikomas Eurazijos muitų sąjungos direktyvas. Galioja tik KLIPPO LB 448S & KLIPPO LB 453S.
- (Pav. 12) Triukšmo emisijos į aplinką ženkinimas atitinka ES ir Jungtinės Karalystės direktyvas bei reglamentus ir Naujojo Pietų Velso įstatymą „2017 m. aplinkos apsaugos (triukšmo kontrolės) reglamentas“. Gaminio garantuotasis garso galios lygis nurodytas *Techniniai duomenys psl. 207* ir etiketėje.
- (Pav. 13) Nuskaitomas kodas.

Pasižymėkite: Kiti ant gaminio esantys simboliai / atvaizdai atitinka konkrečios rinkos teisinius reikalavimus.

Lipdukas ant produkto, tik Australijoje ir Naujojoje Zelandijoje

(Pav. 14)

Saugokite rankas bei kojas ir neikiškite jų prie besisukančio peilio.

„Euro V“ standartas



PERSPĖJIMAS: Variklio modifikavimas panaikina šio produkto ES tipo patvirtinimą.

Atsakomybė už gaminį

Kaip nurodyta atsakomybės už gaminį įstatymuose, mes nesame atsakingi už mūsų gaminio sukeltą žalą, jei:

- gaminys netinkamai suremontuotas;
- gaminys suremontuotas naudojant kito gamintojo arba gamintojo nepatvirtintas dalis;
- gaminys turi kito gamintojo arba gamintojo nepatvirtintą priedą;
- gaminys suremontuotas ne patvirtintame techninės priežiūros centre arba jį suremontavo ne patvirtintas atstovas.

Sauga

Saugos ženklų reikšmės

Įspėjimai, perspėjimai ir pastabos yra skirtos atkreipti dėmesį į ypač svarbias vadovo dalis.



PERSPĖJIMAS: Naudojamas, kai naudotojui ar šalia esantiems asmenims kyla mirtino arba sunkaus sužeidimo pavojus arba, jei nesilaikoma vadove pateiktų nurodymų.



PASTABA: Naudojamas, kai kyla pavojus sugadinti gaminį, kitas medžiagas arba padaryti žalą aplinkai, jei nesilaikoma vadove pateiktų nurodymų.

Pasižymėkite: Naudojamas papildomai informacijai apie konkrečią situaciją pateikti.

Bendrieji saugos nurodymai



PERSPĖJIMAS: Prieš naudodami gaminį, perskaitykite toliau esančius įspėjimus.

- Netinkamai arba neatidžiai naudojant šis gaminys yra pavojingas. Jei nesilaikysite saugos nurodymų, kyla sužeidimų arba mirties pavojus.
- Šis gaminys veikdamas sukuria elektromagnetinį lauką. Tam tikromis aplinkybėmis šis laukas gali trikdyti aktyviųjų arba pasyviųjų medicininių implantų veiklą. Kad sumažėtų sunkių ar mirtinų sužeidimų pavojus, medicininių implantų turintiems asmenims rekomenduojame prieš naudojant šį gaminį pasitarti su gydytoju ir implanto gamintoju.
- Visada elkitės atsargiai ir vadovaukitės sveiku protu. Jei tiksliai nežinote, kaip naudoti gaminį konkrečioje situacijoje, sustabdykite darbą ir prieš tęsdami darbą pasitarkite su „Husqvarna“ pardavimo atstovu.

- Atsiminkite, kad už nelaimingus atitikimus, kurių metu nukentės asmenys ar turtas, bus atsakingas naudotojas.
- Rūpinkitės gaminio švara. Įsitinkite, kad galite aiškiai perskaityti ženklus ir lipdukus.
- Neleiskite kitiems naudotis gaminiu, jei neįsitikinote, kad jie perskaitė ir suprato naudojimo instrukcijos turinį.
- Neleiskite gaminio naudoti vaikams.
- Pasirūpinkite, kad vaikai būtų toliau nuo darbo zonos. Būtina nuolatinė atsakingo suaugusiojo priežiūra.
- Neleiskite gaminio naudoti su instrukcijomis nesusipažinusiems asmenims.
- Visada prižiūrėkite gaminį naudojantį fizinę arba protinę negalią turintį asmenį. Būtina nuolatinė atsakingo suaugusiojo priežiūra.
- Nedirbkite su gaminiu, jeigu esate pavargę, sergate arba esate apsvaigę alkoholio, narkotinių medžiagų ar vaistų. Tai neigiamai veikia jūsų regėjimą, nuovoką ar koordinaciją.
- Nenaudokite gaminio, jei jis yra pažeistas arba tinkamai neveikia.
- Nekeiskite gaminio ir nenaudokite jo, jei jį galėjo pakeisti kiti.
- Nekeiskite variklio greičio valdymo reguliavimo.

Sauga darbo vietoje



PERSPĖJIMAS: Prieš naudodami gaminį, perskaitykite toliau esančius įspėjimus.

- Prieš naudodami gaminį nuo darbo zonos pašalinkite tokius objektus, kaip šakos, šakelės ir akmenys.
- Atsitrenkę į pjovimo įrangą objektai gali atšokti ir sužeisti asmenis bei sugadinti daiktus. Šalia esantiems asmenims ir gyvūnams būtina laikytis saugaus atstumo nuo gaminio.
- Gaminio niekuomet nenaudokite blogu oru, pvz., kai pakyla rūkas, lyja, pučia stiprus vėjas, stipriai šąla ir gali žaibuoti. Darbas gaminiu blogu oru arba drėgnose ar šlapiose vietose yra varginantis. Blogu

oru gali susidaryti pavojingos sąlygos, pvz., slidūs paviršiai.

- Saugokitės asmenų, daiktų ir tam tikrų situacijų kurios gali neleisti saugiai naudoti gaminio.
- Saugokitės kliūčių, pvz., šaknų, akmenų, šakelių, duobių ir griovių. Aukštoje žolėje kliūtys gali būti nematomos.
- Gali būti pavojinga pjauti žolę įkalnėse. Nenaudokite gaminio, jei šlaitas yra statenis nei 15°.
- Šlaitus pjaukite skersai. Nevažiuokite į viršų ir žemyn.
- Būkite atsargūs artėdami prie nematomų kampų ir daiktų, kurie užstoja vaizdą.

Darbo sauga



PERSPĖJIMAS: Prieš naudodami gaminį, perskaitykite toliau esančius išspėjimus.

- Gaminį naudokite tik vejų žolei pjauti. Neleidžiama jo naudoti kitoms užduotims atlikti.
- Naudokite asmenines apsaugines priemones. Žr. *Asmeninės apsauginės priemonės psl. 200.*
- Įsitinkite, kad žinote, kaip greitai sustabdyti variklį nelaimės atveju.
- Niekada neužveskite variklio uždaroje erdvėje ar netoli degių medžiagų. Variklio išmetamosios dujos yra karštos, jose gali būti kibirkščių, kurios gali sukelti gaisrą.
- Nenaudokite gaminio tinkamai neuždengę peilio ir neuždėję kitų dangčių. Netinkamai uždėtas peilis gali atsilaisvinti ir sužeisti.
- Užtikrinkite, kad peilis neatsitrenktų į tokius objektus, kaip akmenys ir šaknys. Tai gali sugadinti peilį ir sulenkti variklio veleną. Sulenktas ašis sukelia didelę vibraciją ir kyla didžiulis pavojus, kad peilis atsilaisvins.
- Jei į peilį atsitrenkia objektas arba susidaro vibracijos, nedelsdami sustabdykite gaminį. Atjunkite uždegimo kabelį nuo uždegimo žvakės. Patikrinkite, ar gaminys neapgadintas. Pataisykite sugadintas dalis arba remonto darbus perleiskite įgaliotajam techninės priežiūros atstovui.
- Niekada neprijunkite variklio stabdžio rankenos prie rankenos visam laikui, kai variklis veikia.
- Padėkite gaminį ant stabilaus, plokščio paviršiaus ir paleiskite jį. Patikrinkite, ar peilis neliečia žemės ar kokių kitų daiktų.
- Visada būkite už gaminio, kai jį naudojate.
- Prižiūrėkite, kad visi ratukai būtų ant žemės ir abi rankas laikykite ant rankenos, kai naudojate gaminį. Saugokite rankas bei kojas ir neikiškite jų prie besisukančių peilių.
- Dirbant varikliui nepakreipkite gaminio.
- Būkite atsargūs, kai gaminį traukiate atgal.

- Dirbant varikliui nepakelkite gaminio. Jei gaminį turite pakelti, pirmiausia sustabdykite variklį ir atjunkite uždegimo kabelį nuo uždegimo žvakės.
- Naudodami gaminį neikite atgal.
- Veždami įrenginį per zonas be žolės, pvz., žvirgždo, akmenų ir asfalto takelius, sustabdykite variklį.
- Dirbant varikliui nebėkite su gaminiumi. Naudodami gaminį visada eikite.
- Prieš pakeisdami pjovimo aukštį pirmiausia išjunkite variklį. Draudžiama reguliuoti, kai veikia variklis.
- Niekada nepaleiskite gaminio iš akių, kai veikia variklis. Išjunkite variklį ir įsitinkite, kad pjovimo įranga nesisuka.

Naudojimo saugos instrukcijos

Asmeninės apsauginės priemonės



PERSPĖJIMAS: Prieš naudodami gaminį, perskaitykite toliau esančius išspėjimus.

- Asmeninės apsauginės priemonės nepadės visiškai išvengti pavojaus susižeisti, tačiau nelaimingo atsitikimo atveju mažiau nukentėsite. Leiskite prekybos atstovui padėti pasirinkti tinkamą įrangą.
- Jei triukšmo lygis viršija 85 dB, naudokite klausos apsaugą
- Avėkite patvarius, neslystančius batus. Neavėkite atvirų batų ir nebūkite basi.
- Dėvėkite storas, ilgas kelnes.
- Kai būtina, pvz., montuojant, apžiūrint arba valant pjovimo įrangą, užsimaukite apsaugines pirštines.

Gaminio apsauginės priemonės



PERSPĖJIMAS: Prieš naudodami gaminį, perskaitykite toliau esančius išspėjimus.

- Nenaudokite gaminio su saugos įtaisais, kurie yra pažeisti arba tinkamai neveikia.
- Reguliariai tikrinkite saugos įtaisus. Jei saugos įtaisai pažeisti arba tinkamai neveikia, kreipkitės į Husqvarna techninės priežiūros atstovą.
- Nemonifikuokite saugos įtaisų.

Atlikite pjovimo gaubto patikrą.

Pjovimo gaubtas sumažina gaminio vibracijas ir sumažina disko keliamą sužeidimų pavojų.

- Apžiūrėkite pjovimo gaubtą, kad įsitikintumėte, jog nėra pažeidimų, pvz., įtrūkių.

Diržo apsaugos patikra

Diržo apsauga sumažina sužeidimų pavojų ir užtikrina, kad nutrūkęs pavaros diržas nebus išsviestas išorėn.

- Įsitikinkite, kad diržo apsauga nėra pažeista ir yra tinkamai pritvirtinta. (Pav. 15)

Variklio stabdymo rankena

Variklio stabdžio rankena sustabdo variklį. Atleidus variklio stabdžio rankeną variklis sustoja.

Kad patikrintumėte variklio stabdį, paleiskite variklį ir atleiskite variklio stabdžio rankeną. Jei variklis nesustoja per 3 sekundes, paprašykite, kad įgaliotasis „Husqvarna“ techninės priežiūros atstovas sureguliuotų variklio rankeną.

(Pav. 16)

Vibracijos slopinimo sistemos patikra



PERSPĖJIMAS: Ilgalaikė vibracija gali pakenkti silpnos kraujo apytakos žmonių kraujo apytakai ir nervų sistemai. Pasireiškus per ilgą vibracijų poveikio simptomais, kreipkitės medicininės pagalbos. Pirmieji simptomai gali būti: kūno tirpimas, jautrumo praradimas, dilgčiojimas, skausmas, sumažėjusi jėga ar silpnumas, odos spalvos ar jos struktūros pakitimai. Šie simptomai dažniausiai pasireiškia pirštuose, plaštakose ir riešuose.

Naudojant gaminį, vibracijos slopinimo sistema susilpnina rankenų vibraciją.

Plieninis vamzdis rankenoje ir pjovimo gaubtas sumažina vibraciją. KLIPPO LB 548SQe taip pat turi 4 vibracijos slopinimo įrenginius, pritvirtintus prie rankenos.

- Patikrinkite rankeną ir vibracijos slopinimo įrenginius, norėdami įsitikinti, kad nėra pažeidimų. (Pav. 17)

Peilių atrama / laikiklis

Peilių atrama sumažina variklio veleno sulinkimo riziką. Peiliui atsitrenkus į daiktą, jis juda paleis peilių atramą. Dėl judėjimo dėvisi peilių atramos paviršius. Nusidėvėjimas rodo, kad variklio veleno apsauga veikia tinkamai.

Duslintuvus

Duslintuvus iki minimumo sumažina triukšmo lygį ir nukreipia nuo naudotojo variklio išmetamąsias dujas.

Nenaudokite gaminio, jei duslintuvo nėra arba jei jis yra pažeistas. Pažeistas duslintuvus skleidžia daugiau triukšmo ir kelia didesnę gaisro pavojų.



PERSPĖJIMAS: Darbo metu ir tada, kai variklis veikia tuščiaja eiga, duslintuvus labai įkaista ir kurį laiką išlieka karštas. Elkites atsargiai su degiomis medžiagomis ir (arba) garais, kad išvengtumėte gaisro.

Duslintuvo patikra

- Norėdami įsitikinti, kad duslintuvus yra tinkamai pritvirtintas ir nėra pažeistas, jį tikrinkite reguliariai.

Deгалų naudojimo sauga



PERSPĖJIMAS: Prieš naudodami gaminį, perskaitykite toliau esančius įspėjimus.

- Neužveskite gaminio, jei ant gaminio yra kuro arba variklio alyvos. Nuvalykite nepageidaujamą kurą / alyvą ir palaukite, kol gaminys išdžius.
- Apsipylę drabužius kuru nedelsiant persirenkite.
- Neapsipilkite kūno kuru, nes jis gali sužaloti. Apsipylę kūną kuru, jį nusiplaukite muilu ir vandeniu.
- Neužveskite gaminio, jei iš variklio sunkiasi skysčiai. Reguliariai tikrinkite, ar iš variklio nesisunkia skysčiai.
- Atsargiai elkitės su kuru. Kuras yra degus, o jo garai – sprogūs, todėl neatsargiai elgiantis galima susižaloti arba žūti.
- Neįkvėpkite kuro garų, nes jie gali sužaloti. Pasirūpinkite tinkamu vėdinimu.
- Nerūkykite greta kuro arba variklio.
- Nedėkite šiltų objektų greta kuro arba variklio.
- Nepilkite kuro, kai variklis užvestas.
- Prieš pildami kurą įsitikinkite, ar variklis ataušęs.
- Prieš pildami kurą lėtai atidarykite kuro bakelio dangtelį ir atsargiai išleiskite slėgį.
- Nepilkite į variklį kurą būdami patalpoje. Dėl oro stygiaus galima susižaloti arba žūti uždusęs arba apsinuodijęs anglies monoksidu.
- Stipriai užsukite kuro bakelio dangtelį.
- Nepakankamai stipriai užsukus kuro bakelį kyla gaisro pavojus.
- Prieš pradėdami darbą patraukite gaminį mažiausiai 3 m / 10 pėdų nuo vietos, kurioje pylėte kurą.
- Nepripilkite sklidino kuro bakelio. Šildamas kuras plečiasi. Palikite vietos kuro bakelio viršuje.

Priežiūros saugos instrukcijos



PERSPĖJIMAS: Prieš naudodami gaminį, perskaitykite toliau esančius įspėjimus.

- Variklio išmetamosiose dujose yra anglies monoksido – nuodingų, bekvapių ir labai pavojingų dujų. Nepaleiskite variklio patalpose ar uždaroje erdvėse.
- Prieš atlikdami techninę gaminio priežiūrą, sustabdykite variklį ir atjunkite uždegimo kabelį nuo uždegimo žvakės.
- Pjovimo įrangos techninės priežiūros darbus atlikite apsimovę apsaugines pirštines. Peilis labai aštrus ir gali lengvai įpjauti.

- Gamintojo nepatvirtinti priedai ir gaminio pakeitimai gali rimtai ar net mirtinai sužeisti. Nekeiskite gaminio. Visada naudokite tik gamintojo patvirtintus priedus.
- Jei techninė priežiūra atliekama netinkamai ir nereguliariai, padidėja sužeidimų ir žalos gaminiui pavojus.
- Atlikite tik savininko vadove nurodytus techninės priežiūros darbus. Visus kitus techninės priežiūros

- darbus turi atlikti patvirtintas „Husqvarna“ techninės priežiūros atstovas.
- Patvirtintas „Husqvarna“ techninės priežiūros atstovas turi reguliariai atlikti gaminio techninę priežiūrą.
- Pakeiskite pažeistas, sulūžusias arba susidėvėjusias dalis.

Surinkimas

Įvadas



PERSPĖJIMAS: Prieš surinkdami įrenginį perskaitykite ir supraskite saugos skyriaus informaciją.



PERSPĖJIMAS: Prieš surinkdami gaminį nuo uždegimo žvakės nuimkite dangtelį.

Rankenos surinkimas ir suregulavimas

1. Nuimkite rankenos veržlę ir poveržlę nuo plokštės ant viršutinės rankenos.
2. Įstatykite viršutinę rankeną į vietą virš apatinės rankenos.

3. Uždėkite poveržlę ir rankenos veržlę. (Pav. 18)
4. Naudodami produktą netoli sienos, pasukite rankeną į šoną, norėdami geros valdymo padėties. (Pav. 19)
5. Sukite reguliavimo ratukus ant važiuoklės, norėdami reguliuoti rankeną vertikaliai. (Pav. 20)

Mulčiavimo priedo montavimas (KLIPPO LB 448S, KLIPPO LB 448SQ, KLIPPO LB 548SQe)

1. Pakreipkite produktą atgal, uždegimo žvakę nukreipę į viršų.
2. Įkiškite mulčiavimo priedo kaiščius į angas iš vidinės pjovimo gaubto pusės. (Pav. 21)
3. Pritvirtinkite mulčiavimo priedo varžtus iš išorinės pjovimo gaubto pusės. (Pav. 22)



PASTABA: Užtikrinkite, kad laidai neįstrigs ir nebus pažeisti.

Naudojimas

Įvadas



PERSPĖJIMAS: Prieš naudodami gaminį perskaitykite ir supraskite saugos skyriaus informaciją.

Husqvarna Connect

Husqvarna Connect yra nemokama programėlė, skirta mobiliesiems įrenginiams. Programėlė Husqvarna Connect suteikia Husqvarna gaminiui papildomas funkcijas:

- Papildoma informacija apie gaminį.
- Informacija ir patarimai apie gaminio dalis ir priežiūrą.

Norėdami pradėti naudoti Husqvarna Connect

1. Atsisiųskite „Husqvarna Connect“ programėlę į mobilųjį įrenginį.
2. Užsiregistruokite „Husqvarna Connect“ programėlėje.

3. Norėdami prisijungti ir užregistruoti gaminį, vykdykite „Husqvarna Connect“ programėlėje pateiktas instrukcijas.

Prieš naudodami gaminį

1. Atidžiai perskaitykite naudojimo instrukciją ir įsitinkinkite, kad viską gerai supratote.
2. Apžiūrėkite pjovimo įrangą ir įsitinkinkite, kad ji tinkamai prijungta ir sureguliuota. Žr. *Pjovimo įrangos patikrinimas psl. 205*.
3. Užpildykite kuro bakelį. Žr. *Degalų pripylimas psl. 202*.
4. Pripilkite alyvos bakelį ir patikrinkite alyvos lygį. Žr. *Alyvos lygio tikrinimas psl. 205*.

Degalų pripylimas

Jei įmanoma, naudokite ekologišką / alkilato benzina. Jei ekologiško / alkilato benzino naudoti negalite, naudokite geros kokybės bešvinį benzina arba benzina su švinu, kurio oktanišis skaičius ne mažesnis nei 90.



PASTABA: Nenaudokite benzino, kurio oktaninis skaičius yra mažesnis nei 90 RON (87 AKI). Antraip galima sugadinti gaminį.

1. Lėtai atsukite degalų bakelio dangtelį, kad sumažintumėte slėgį.
2. Lėtai pilkite iš degalų kanistro. Jei išliejate degalus, nuvalykite juos audiniu ir palaukite, kol likę degalai išdžiūsi. (Pav. 23)
3. Nuvalykite sritį aplink degalų bakelio dangtelį.
4. Gerai uždarykite degalų bako dangtelį. Nepakankamai stipriai užsukus degalų bakelį kyla gaisro pavojus.
5. Prieš pradėdami darbą patraukite gaminį mažiausiai 3 m (10 pėdų) nuo vietos, kurioje pylėte degalus.

Pjovimo aukščio nustatymas

Galima nustatyti 6 pjovimo aukščio padėtis.

1. Kad padidintumėte pjovimo aukštį, pjovimo aukščio svirtį palenkite į priekį.
2. Kad sumažintumėte pjovimo aukštį, pjovimo aukščio svirtį palenkite atgal.



PASTABA: Nenustatykite per žemo pjovimo aukščio. Peiliai gali užkliudyti žemę, jei vejos paviršius nelygus.

Įrenginio paleidimas

1. Įsitinkinkite, kada uždegimo kabelis prijungtas prie uždegimo žvakės.
2. Atidarykite kuro vožtuvą. (Pav. 24)
3. Būkite už įrenginio.
4. Laikykite variklio stabdymo rankeną prispaudę prie rankenos. (Pav. 25)
5. Dešine ranka laikykite starterio lynelį.
6. Lėtai patraukite starterio lynelį, kol pajusite pasipriešinimą.
7. Tada stipriai patraukite, kad paleistumėte variklį.

Techninė priežiūra

Įvadas



PERSPĖJIMAS: Prieš atlikdami priežiūros darbus perskaitykite ir supraskite saugos skyriaus informaciją.

Visiems gaminio techninės priežiūros ir remonto darbams reikia specialių apmokymų. Garantuojame profesionalaus remonto ir techninės priežiūros darbų pasiekiamumą. Jei jūsų pardavėjas nėra techninės priežiūros atstovas, paprašykite jo informacijos apie artimiausią techninės priežiūros atstovą.



PERSPĖJIMAS: Nevyniokite starterio virvės sau ant rankos.



PASTABA: Neištraukite starterio virvės iki galo. Nepaleiskite starterio virvės rankenos, kai ji ištraukta.

Ratų pavaros naudojimas

- Nuspauskite pavaros svirtį žemyn. (Pav. 26)
- Prieš patraukdami gaminį atgal, išjunkite pavarą ir pastumkite gaminį į priekį apie 10cm.
- Atleiskite variklio stabdymo rankeną trumpą atstumą, kad išjungtumėte pavarą, pvz., kai priartėjate prie kliūties.

Gaminio sustabdymas

- Norėdami sustabdyti tik pavarą, atleiskite variklio stabdymo rankeną trumpą atstumą.
- Norėdami išjungti variklį, visiškai atleiskite variklio stabdymo rankeną.
- Uždarykite kuro vožtuvą. (Pav. 27)

Gerų rezultatų gavimas

- Visada naudokite pagalastą peilį. Atšipęs peilis netaisyklingai nupjauna ir žolės paviršius pagelsta. Be to, aštrus peilis naudoja mažiau energijos nei atšipęs.
- Nepjaukite daugiau nei 1/3 žolės ilgio. Pirmiausia nupjaukite nustatę didelį aukštį. Patikrinkite rezultatą ir sumažinkite pjovimo aukštį iki tinkamo lygio. Jeigu žolė tikrai aukšta, judėkite lėtai ir, jei reikia, pjaukite 2 kartus.
- Kiekvieną kartą pjaukite skirtingomis kryptimis, kad vejoje nesidarytų dryžiai.
- Pjovimo dangtis turi būti visuomet švarus. Prikibusi žolė ir purvas vidinėje pjovimo dangčio dalyje gali turėti įtakos pjovimo rezultatams. Žr. *Gaminio valymas iš išorės psl. 204.*

Išsamesnės informacijos žr. www.husqvarna.com.

Techninės priežiūros grafikas

Techninės priežiūros intervalai apskaičiuojami pagal kasdienį gaminio naudojimą. Intervalai keičiasi, jei gaminys nenaudojamas kasdien.

Techninės priežiūros informacijos, pažymėtos *, žr. instrukcijoje, pateikiamose *Gaminio apsauginės priemonės psl. 200.*

Techninė priežiūra	Kasdien	Kas savaitę	Kas mėnesį
Atlikti bendrąją apžiūrą	X		
Patikrinti alyvos lygį	X		
Gaminio valymas	X		
Išvalykite oro filtrą	X		
Patikrinti pjovimo įrangą	X		
Patikrinti pjovimo įrangos gaubtą*	X		
Patikrinti variklio stabdymo rankeną*	X		
Patikrinti duslintuvą*		X	
Patikrinti uždegimo žvakę		X	
Patikrinkite, ar nepažeistas pavaros diržas			X
Išvalykite pavaros korpusą			X
Skirta KLIPPO LB 448S, KLIPPO LB 453S. Pakeiskite alyvą (pirmą kartą po 5 naudojimo valandų, tada kas 25 naudojimo valandas ir kas metus)			X
Skirta KLIPPO LB 448SQ, KLIPPO LB 453SQ, KLIPPO LB 548SQe. Pakeiskite alyvą (pirmą kartą po 5 naudojimo valandų, tada kas 100 naudojimo valandas ir kas metus)			X
Pakeiskite oro filtrą			X
Patikrinti degalų sistemą			X
Patikrinti ir sureguliuoti pavarą (sankabos laidas)			X

Bendroji apžiūra

- Įsitikinkite, kad gaminio veržlės ir varžtai yra tinkamai priveržti.

Gaminio valymas iš išorės

- Lapus, žolę ir purvą nuvalykite šepetiu.
- Apžiūrėkite ar neužsikūšusi oro įsiurbimo anga variklio viršuje.
- Gaminio neplaukite aukšto slėgio plovimo aparatu.
- Jei gaminį valote vandeniu, nepilkite vandens tiesiai ant variklio.

Pjovimo įrangos gaubto vidinio paviršiaus valymas

- Paverskite įrenginį ant šono ant duslintuvo.



PASTABA: Jei gaminį paversite ant oro filtro, galite sugadinti variklį.

- Vandeniu aplikite vidinį pjovimo įrangos gaubto paviršius.

Pavaros diržo patikrinimas ir pavaros korpuso valymas

- Išsukite 4 varžtus ant diržo apsaugos ir nuimkite diržo apsaugą. (Pav. 28)
- Patikrinkite, ar nepažeistas pavaros diržas ir diržinės pavaros skriemulys.
- Naudodami šepetį nuvalykite nuo pavaros korpuso lapus, žolę ir purvą. (Pav. 29)

Pavaros diržo keitimas ir reguliavimas

- Išsukite 4 varžtus ant diržo apsaugos ir nuimkite diržo apsaugą. (Pav. 28)
- Įkiškite plokščią atsuktuvą tarp produkto priekinio dešiniojo ratlankio ir jo gaubto.
- Atsargiai pasukite atsuktuvą, norėdami nuimti ratlankio gaubtą.
- Atsukite rato varžtą ir nuimkite ratą. (Pav. 30)
- Nuimkite pavaros diržą nuo diržinės pavaros skriemuliu.
- Įsitikinkite, kad diržinės pavaros skriemuliai lengvai juda ant ašių.

7. Jei reikia, papurškite prasiskverbiančios alyvos tarp diržinės pavaros skriemulių ir už jų bei sutepkite ašį.
8. Sumontuokite naują pavaros diržą ir tinkamai pritvirtinkite jį ties rutuliniu guoliu, prieš reguliuodami. (Pav. 31)
9. Judinkite rutulinį guolį aukštyn arba žemyn, norėdami reguliuoti pavaros diržą. (Pav. 32)

Pasižymėkite: Naujas pavaros diržas naudojamas ilgėja. Po kelių naudojimo valandų vėl sureguliuokite pavaros diržą.

10. Uždėkite diržo apsaugą.
11. Panaudokite produktą, norėdami įsitikinti, kad pavaros diržas tinkamai sumontuotas ir sureguliuotas.

Centrinio diržo keitimas ir reguliavimas

1. Nuimkite peilį.

Pasižymėkite: Šis žingsnis nebūtinai, jei reguliuojate tik centrinį diržą.

2. Atlaisvinkite reguliavimo varžtus kelis apsisukimus, tačiau neišsukite jų. (Pav. 33)
3. Pakeiskite centrinį diržą ir vidutiniškai priveržkite reguliavimo varžtus.

Pasižymėkite: Šis žingsnis nebūtinai, jei reguliuojate tik centrinį diržą.

4. Judinkite pavarą pirmyn arba atgal, norėdami reguliuoti centrinį diržą. (Pav. 34)
5. Naudodamiesi svarstyklėmis su kabliu, patikrinkite centrinio diržo įtempimą. Diržo įtempimas teisingas, jei centre jis gali judėti 6–10 mm. Tai atitinka 3 kg traukimą. (Pav. 35)
6. Iki galo priveržkite reguliavimo varžtus 3 Nm sukimo momentu.
7. Panaudokite produktą, norėdami įsitikinti, kad pavaros diržas tinkamai sumontuotas ir sureguliuotas.

Pjovimo įrangos patikrinimas



PERSPĖJIMAS: Kad įranga netyčia nepasileistų, ištraukite uždegimo kabelį iš uždegimo žvakės.



PERSPĖJIMAS: Pjovimo įrangos techninės priežiūros darbus atlikite apsimovę apsaugines pirštines. Peilis labai aštrus ir gali lengvai įpjauti.

1. Patikrinkite, ar pjovimo įranga nepažeista ir neįskilusi. Visada pakeiskite pažeistą pjovimo įrangą.
2. Apžiūrėkite peilį, ar jis nepažeistas ir neatšipęs.

Pasižymėkite: Pagalandus peilį jį reikia subalansuoti. Pagalasti, pakeisti ir subalansuoti peilį turi techninės priežiūros centro darbuotojai. Jei susidūrėte su kliūtimi, dėl kurios įrenginys sustojo, pakeiskite pažeistą peilį. Leiskite techninės priežiūros centro darbuotojams nuspręsti, ar peilį dar galima galasti, ar jau reikia keisti.

Peilio keitimas

1. Užfiksukite peilį medžio bloku. (Pav. 36)
2. Išimkite peilio varžtą, spyruoklinę poveržlę ir peilį. (Pav. 37)
3. Patikrinkite, ar peilio atrama ir peilio tvirtinimo varžtas nėra pažeisti.
 - a) Keisdami peilį arba peilio atramą, taip pat pakeiskite peilio tvirtinimo varžtą, spyruoklinę poveržlę ir apsauginę poveržlę.
4. Patikrinkite variklio veleną, kad įsitikintumėte, ar jis nesulenktas.
5. Uždedant naują peilį, įsitinkite, kad sulenkti galai yra nukreipti pjovimo gaubto pusę. (Pav. 38)
6. Uždėkite apsauginę poveržlę ir peilį ant peilio atmosferos. (Pav. 39)
7. Įsitinkite, kad peilis sulygiuotas su variklio veleno centru. (Pav. 40)
8. Užfiksukite peilį medžio bloku. (Pav. 41)
9. Uždėkite spyruoklinę poveržlę ir priveržkite varžtą 80 Nm sukimo momentu. (Pav. 42)
10. Ranka pasukite peilį ir patikrinkite, ar jis laisvai sukasi.



PERSPĖJIMAS: Būtinai mūvėkite pirštines. Peilis labai aštrus ir gali lengvai įpjauti.

11. Paleiskite gaminį, kad išbandytumėte peilį. Jei peilis netinkamai uždėtas, gaminys vibruoja arba pjaunama nepakankamai gerai.

Alyvos lygio tikrinimas



PASTABA: Per mažas alyvos kiekis gali sukelti variklio gedimus. Prieš paleisdami gaminį patikrinkite alyvos lygį.

1. Pastatykite gaminį ant lygaus paviršiaus.
2. Nusukite alyvos bakelio dangtelį su pritvirtintu alyvos lygio matuokliu.
3. Nuvalykite alyvą nuo alyvos lygio matuoklio.
4. Iki galo įstatykite alyvos lygio matuoklį į alyvos bakelį. Priveržkite alyvos bakelio dangtelį, kad tiksliai nustatytumėte alyvos lygį.
5. Ištraukite alyvos lygio matuoklį.
6. Alyva ant matuoklio rodo esamą alyvos lygį.

7. Jei alyvos lygis žemas, įpilkite variklio alyvos ir vėl patikrinkite alyvos lygį.

(Pav. 43)

Pasižymėkite: Naudokite piltuvėlį, kad išvengtumėte taškymosi.

Variklio alyvos keitimas



PERSPĖJIMAS: Iš karto sustabdykite variklį variklio alyva yra labai karšta. Prieš išleidami variklio alyvą, leiskite varikliui atvėsti. Jei užsipilsite variklio alyvos ant odos, nuplaukite ją muilu ir vandeniu.

(Pav. 44)

1. Nuimkite uždegimo kabelį nuo uždegimo žvakės.
2. Nuimkite alyvos bakelio dangtelį.
3. Išleiskite variklio alyvą.
 - a) Modeliuose su alyvos išleidimo kištis: po išleidimo kaiščiu padėkite indą, į kurį surinksite variklio alyvą.
 - b) Modeliuose be alyvos išleidimo kaiščio, arba jei po alyvos išleidimo angos kaiščiu neįmanoma padėti indo: naudodami alyvos siurbį (priedą) išleiskite variklio alyvą iš alyvos bakelio.
4. Pripilkite naujos rekomenduojamo tipo variklio alyvos *Techniniai duomenys psl. 207*.
5. Patikrinkite alyvos lygį. Žr. *Alyvos lygio tikrinimas psl. 205*.

Oro filtras

Pasižymėkite: Ilgai naudoto oro filtro negalima iki galo išvalyti. Reguliariai pakeiskite oro filtrą. Visada pakeiskite pažeistą oro filtrą.

Oro filtro išėmimas ir įdėjimas (KLIPPO LB 488SQ, KLIPPO LB 453SQ, KLIPPO LB 548Qe)



PERSPĖJIMAS: Mūvėkite apsaugines pirštines.

1. Atstumkite spaustukus, esančius ant oro filtro gaubto.
2. Atsargiai nuimkite oro filtro gaubtą (A) nuo variklio.
3. Nuimkite oro filtrą (B) ir putų filtrą (C). (Pav. 45)
4. Patikrinkite, ar oro filtras nepažeistas. Pažeistą oro filtrą pakeiskite.
5. Išvalykite ir patikrinkite oro filtrą. Žr. *Oro filtro valymas (KLIPPO LB 448SQ, KLIPPO LB 453SQ, KLIPPO LB 548Qe) psl. 206*.

6. Montuokite priešinga eilės tvarka.

Oro filtro valymas (KLIPPO LB 448SQ, KLIPPO LB 453SQ, KLIPPO LB 548Qe)



PASTABA: Neleiskite varikliui veikti be oro filtro arba jei oro filtras purvinas.



PASTABA: Pakeiskite oro filtrą, jei nepavyksta jo visiškai išvalyti arba jei jis pažeistas. Pažeistas oro filtras sugadins variklį.

1. Nuspauskite fiksatorius (A), nuimkite oro filtro dangtelį (B) ir nuimkite oro filtrą (C). (Pav. 46)
2. Padaužykite oro filtrą į kietą paviršių arba pūskite suspaustą orą per oro filtrą iš švarios jo pusės.



PASTABA: Nevalykite šepečiu, nes taip galite įstumti nešvarumus į oro filtrą.

3. Nuvalykite oro filtro laikiklį (D) ir oro filtro dangtelį drėgna šluoste.



PASTABA: Užtikrinkite, kad purvas nepatektų į oro kanalą (E).

4. Sumontuokite oro filtrą. Įsitinkite, kad oro filtras visiškai sandarus oro filtro laikiklyje.
5. Sumontuokite oro filtro dangtelį apatiniais fiksatoriais pirmyn.

Oro filtro valymas (KLIPPO LB 448S, KLIPPO LB 453S)



PASTABA: Neleiskite varikliui veikti be oro filtro arba jei oro filtras purvinas.



PASTABA: Pakeiskite oro filtrą, jei nepavyksta jo visiškai išvalyti arba jei jis pažeistas. Pažeistas oro filtras sugadins variklį.

1. Nuspauskite fiksatorius (A), nuimkite oro filtro dangtelį (B) ir nuimkite oro filtrą (C). (Pav. 47)
2. Padaužykite oro filtrą į kietą paviršių arba pūskite suspaustą orą per oro filtrą iš švarios jo pusės.



PASTABA: Nevalykite šepečiu, nes taip galite įstumti nešvarumus į oro filtrą.

3. Nuvalykite oro filtro laikiklį (D) ir oro filtro dangtelį drėgna šluoste.



PASTABA: Užtikrinkite, kad purvas nepatektų į oro kanalą (E).

- Sumontuokite oro filtrą. Įsitinkinkite, kad oro filtras visiškai sandarus oro filtro laikiklyje.
- Sumontuokite oro filtro dangtelį apatiniais fiksatoriais pirmyn.

Uždegimo žvakės tikrinimas



PASTABA: Visada naudokite rekomenduojamo tipo žvakes. Netinkamo tipo uždegimo žvakė gali pažeisti gaminį.

- Patikrinkite uždegimo žvakę, jei variklio galingumas mažas, ji sunku paleisti arba jis netinkamai veikia tuščiąja eiga.
- Norėdami sumažinti pašalinių medžiagų atsiradimą ant uždegimo žvakės elektrodų, laikykitės šių instrukcijų:
 - Įsitinkinkite, kad tinkamai sureguliuotas greitis tuščiąja eiga.
 - Įsitinkinkite, kad naudojate tinkamą kuro mišinį.

c) Patikrinkite, ar oro filtras yra švarus.

- Jeigu uždegimo žvakė purvina, nuvalykite ją ir patikrinkite, ar nustatytas tinkamas tarpas tarp elektrodų, žr. *Techniniai duomenys psl. 207*. (Pav. 48)
- Esant reikalui pakeiskite uždegimo žvakę.

Kuro sistemos tikrinimas

- Patikrinkite kuro bakelio dangtelį ir užsandarinkite jį, kad nepažeistumėte.
- Patikrinkite kuro žarnelę ir įsitinkinkite, kad ji neprateka. Jei kuro žarnelė pažeista, paprašykite, kad techninės priežiūros atstovas ją pakeistų.

Sankabos laido reguliavimas

Jei pavara veikia lėtai, būtina sureguliuoti sankabos laidą.

- Pasukite reguliavimo varžtą. (Pav. 49)

Sankabos kabelis tinkamai sureguliuotas, kai jo laikiklis sulgyjuotas su veržle.

(Pav. 50)

Transportavimas, saugojimas ir utilizavimas

Transportavimas ir laikymas

- Norėdami laikyti ir transportuoti gaminį ir kurą, įsitinkinkite, kad jis neprateka ir neskleidžia išmetamųjų dujų. Žiežirbos arba atvira ugnis, pvz., elektriniai įrenginiai arba džiovintuvai, gali sukelti gaisrą.
- Laikydami ir transportuodami kurą visada naudokite patvirtintus kontenerius.
- Ištuštinkite kuro bakelį prieš padėdami gaminį laikyti ilgam laikui. Kurą išpilkite tinkamoje šalinimo vietoje.
- Saugiai pritvirtinkite gaminį jį transportuodami, kad nepažeistumėte ir išvengtumėte nelaimingų atsitikimų.

- Laikykite gaminį užrakintoje patalpoje, kad jo nepasiektų vaikai arba neįgalieji asmenys.
- Laikykite gaminį sausoje neužšalancioje vietoje.

Šalinimas

- Laikykitės vietinių atliekų tvarkymo reikalavimų ir galiojančių teisės aktų.
- Išpilkite visas chemines medžiagas, pvz., variklio alyvą arba kurą techninės priežiūros centre arba tinkamoje šalinimo vietoje.
- Kai gaminys nebenaudojamas, nusiųskite jį „Husqvarna“ pardavėjui arba atiduokite jį perdirbimo vietai.

Techniniai duomenys

Techniniai duomenys

	KLIPPO LB 448S	KLIPPO LB 448SQ	KLIPPO LB 453S	KLIPPO LB 453SQ	KLIPPO LB 548SQe
Variklis					
Gamintojas	Honda	Husqvarna	Honda	Husqvarna	Husqvarna
Modelis	GCVX-145	HS 166AP	GCVx-170	HS 166AP	HS 166AP

	KLIPPO LB 448S	KLIPPO LB 448SQ	KLIPPO LB 453S	KLIPPO LB 453SQ	KLIPPO LB 548SQe
Variklio tipas	Vieno cilindro, keturtaktis, oru aušinamas, OHV	Vieno cilindro, keturtaktis, oru aušinamas, OHV	Vieno cilindro, keturtaktis, oru aušinamas, OHV	Vieno cilindro, keturtaktis, oru aušinamas, OHV	Vieno cilindro, keturtaktis, oru aušinamas, OHV
Darbinis tūris, cm ³	145	166	166	166	166
Greitis, sūk./min.	2900	2900	2900	2900	2900
Vardinė variklio galia, kW ⁷¹	2,7	2,75	3,3	2,75	2,75
Uždegimo sistema					
Degimo žvakė	NGK BPR5ES	Husqvarna HQT-7	NGK BPR5ES	Husqvarna HQT-7	Husqvarna HQT-7
Tarpas tarp elektrodų, mm	0,7-0,8	0,7–0,8	0,7–0,8	0,7–0,8	0,7–0,8
Degalų ir tepimo sistema					
Variklio tepimo tipas	Purškiamasis	Purškiamasis	Purškiamasis	Purškiamasis	Purškiamasis
Degalų bakelio talpa, litrais	0,9	1,5	0,9	1,5	1,5
Alyvos bakelio talpa, litrais	0,5	0,5	0,55	0,5	0,5
Variklio alyva ⁷²	Husqvarna SAE 30	Husqvarna SAE 30	„Husqvarna“ SAE 30/SAE 10W-30	„Husqvarna“ SAE 30/SAE 10W-30	„Husqvarna“ SAE 30/SAE 10W-30
Svoris					
Su tuščiais bakeliais, kg	30,5	32,5	33	33,5	34,5
Skleidžiamas triukšmas ⁷³					
Garso galios lygis, išmatuotas dB (A)	90	93	91	94	92
Garso galios lygis, garantuojamas L _{WA} dB (A)	91	93	94	95	93
Garso lygiai ⁷⁴					
Naudotojo ausį veikiantis garso slėgis, dB (A)	77	79	78	81	79
Vibracijos lygiai, a_{hveq} ⁷⁵					
Rankena, m/s ²	4,5	4,2	5,3	6,4	4,0

⁷¹ Nurodyta variklio galia atitinka to modelio tipinės gamybos būdu pagaminto variklio vidutinę naudingąją atiduodamą galią (varikliui veikiant nurodytu greičiu), išmatuotą pagal SAE standartą J1349 / ISO1585. Masinės gamybos būdu pagamintų variklių galia gali skirtis. Faktinė gaminyje įmontuoto variklio galia priklausys nuo darbinio greičio, aplinkos sąlygų ir kitų aplinkybių.

⁷² Jei SAE-30 alyva naudojama žemesnėje nei +5 °C temperatūroje, variklis gali būti suteptas nepakankamai. Dėl to gali atsirasti variklio gedimų. Žr. *Variklio alyvos keitimas psl. 206* jei reikia žemai temperatūrai tinkamo alyvos tipo.

⁷³ Triukšmas, skleidžiamas į aplinką, išmatuotas kaip garso galia (L_{WA}) pagal EB direktyvą 2000/14/EB.

⁷⁴ Triukšmo slėgio lygis pagal ISO 5395. Pateiktųjų triukšmo slėgio duomenų būdingoji statistinė sklaida (standartinis nuokrypis) lygi 1,2 dB (A).

⁷⁵ Vibracijos lygis pagal ISO 5395. Pateiktuose vibracijos lygio duomenyse yra 0,2 m/s² tipiška statistinė sklaida (standartinis nuokrypis).

	KLIPPO LB 448S	KLIPPO LB 448SQ	KLIPPO LB 453S	KLIPPO LB 453SQ	KLIPPO LB 548SQe
Pjovimo įranga					
Pjovimo aukštis, mm	30-60	30-60	30-60	30-60	30-60
Pjovimo plotis, mm	480	480	530	530	480
Peilis	Mulčiavimas – 48 cm	Mulčiavimas – 48 cm	Mulčiavimas – 53 cm	Mulčiavimas – 53 cm	Mulčiavimas – 48 cm
	5028813-10	5028813-10	5028814-10	5028814-10	5028813-10
Pavara					
Greitis, km/h	4,5	4,5	4,5	4,5	4,5

Atitikties deklaracija

ES atitikties deklaracija

Mes, **Husqvarna AB**, SE-561 82 Huskvarna, Švedija, tel.
+46-36-146500, atsakingai patvirtiname, kad gaminys:

Aprašymas	Vejapjovė
Gamintojas	Husqvarna
Tipas / modelis	KLIPPO LB 448S, KLIPPO LB 453S, KLIPPO LB 448SQ, KLIPPO LB 453SQ, KLIPPO LB 548SQe
Identifikacijos numeris	Serijos numeriai nuo šios datos: 2022 ir vėlesni

visiškai atitinka šias ES direktyvas ir reglamentus:

Direktyva / reglamentas	Aprašymas
2006/42/EB	„dėl mašinų“
2014/30/ES	dėl elektromagnetinio suderinamumo
2000/14/EB	„dėl į aplinką skleidžiamo triukšmo“
2011/65/ES	„dėl tam tikrų pavojingų medžiagų naudojimo elektros ir elektroninėje įrangoje apribojimo“

ir kad laikomasi šių standartų ir (arba) techninių specifikacijų: EN ISO 5395-1:2013/A1:2018, EN ISO 5395-2:2013/A1:2016/A2:2017, EN ISO 14982:2009, EN IEC 63000:2018.

Notifikuotoji įstaiga: 0404, RISE SMP Svensk Maskinprovning AB, Box 4053, SE-904 03 Umeå, Sweden. patvirtino atitiktį Tarybos direktyvai 2000/14/EB; atitikties įvertinimo procedūra: VI priedas.

Daugiau informacijos apie triukšmo emisiją žr. *Techniniai duomenys psl. 207*.

Huskvarna, 2023-02-07



Claes Losdal, plėtos vadovas / sodo gaminiai,
„Husqvarna AB“,

Atsakingas už techninę dokumentaciją



Saturs

Ievads.....	211	Apkope.....	217
Drošība.....	212	Pārvadāšana, glabāšana un utilizēšana.....	220
Montāža.....	215	Tehniskie dati.....	221
Lietošana.....	215	Atbilstības deklarācija.....	223

Ievads

Izstrādājuma apraksts

Izstrādājums ir gājēja vadīts rotējošs zāles plāvējs, kas izmanto BioClip® zāles sagriešanai, lai to izmantotu kā mēslojumu.

Izstrādājuma pārskats

(Att. 1)

1. Rokturis/roktura stienis
2. Dzinēja bremzes rokturis
3. Piedziņas svira
4. Startera auklas rokturis
5. Elļas tvertnes vāciņš
6. Siksnas aizsargs
7. Trokšņa slāpētājs
8. Aizdedzes svece
9. Siksnas aizsargs
10. Degvielas tvertne
11. Roktura leņķa regulēšanas svira
12. Vibrāciju samazināšanas sistēma
13. Sajūga troses regulēšana
14. Griešanas augstuma svira
15. Degvielas vārsts
16. Gaisa filtrs
17. Griezēja pārsegs
18. Atsperpaplāksne
19. Naža skrūve
20. Asmens
21. Naža balsts
22. Mulčēšanas ieliktnis KLIPPO LB 448S, KLIPPO LB 448SQ, KLIPPO LB 548SQe
23. Lietošanas rokasgrāmata

Simboli uz izstrādājuma

- (Att. 2) BRĪDINĀJUMS. Pavirša vai nepareiza lietošana var radīt nopietnas traumas vai nāvi lietotājam vai citām personām.
- (Att. 3) Lūdzu, rūpīgi izlasiet šo lietošanas rokasgrāmatu un pirms izstrādājuma lietošanas pārliecinieties, vai izprotat instrukcijas.

Paredzētā lietošana

Izmantojiet izstrādājumu, lai apgrieztu zāli. Nelietojiet izstrādājumu citiem uzdevumiem.

- (Att. 4) Uzmanieties no izmestiem un rikošetā atlecošiem priekšmetiem.
- (Att. 5) Nodrošiniet, lai cilvēki un dzīvnieki atrastos drošā attālumā no darba zonas.
- (Att. 6) Pirms veicat remontdarbus vai tehnisko apkopi, apturiet dzinēju un izņemiet aizdedzes vadu.
- (Att. 7) Brīdinājums. Turiet rokas un kājas drošā attālumā no rotējošajām daļām.
- (Att. 8) Brīdinājums. Turiet rokas un kājas drošā attālumā no rotējošā asmens.
- (Att. 9) Šis izstrādājums atbilst spēkā esošajām EK direktīvām.
- (Att. 10) Šis izstrādājums atbilst spēkā esošajiem AK noteikumiem.
- (Att. 11) Šis izstrādājums atbilst spēkā esošajām Baltkrievijas, Kazahstānas un Krievijas Muitas savienības direktīvām. Derīgs tikai KLIPPO LB 448S & KLIPPO LB 453S.
- (Att. 12) Trokšņa emisijas vidē uzlīme atbilstoši ES un Apvienotās Karalistes direktīvām un noteikumiem, kā arī Jaundienvidvellsas tiesību aktam "Darba vides aizsardzības (trokšņa kontroles) regula (2017)". Izstrādājuma garantētais skaņas jaudas līmenis ir norādīts *Tehniskie dati lpp. 221* un uz etiķetes.
- (Att. 13) Skenējams kods.

Piezīme: Citi simboli/apzīmējumi (uzlīmes) uz izstrādājuma attiecas uz nozarei specifiskām juridiskām prasībām.

Uzlīme uz izstrādājuma, tikai Austrālijai un Jaunzēlandei

(Att. 14)

Turiet rokas un kājas drošā attālumā no rotējošiem asmeņiem.

Euro V emisija



BRĪDINĀJUMS: Motora atvēršana anulē šī ķēdes zāga ES tipa apstiprinājumu.

Drošība

Drošības definīcijas

Brīdinājumi, norādes "Uzmanību!" un piezīmes tiek izmantotas, lai izceltu īpaši svarīgas lietotāja rokasgrāmatas daļas.



BRĪDINĀJUMS: Tiek izmantota tad, ja rokasgrāmatā sniegto instrukciju neievērošanas dēļ operatoram vai blakus esošajām personām draud traumu vai nāves risks.



IEVĒROJIET: Tiek izmantota tad, ja rokasgrāmatā sniegto instrukciju neievērošana var izraisīt traumas vai nāvi.

Piezīme: Tiek izmantota, lai sniegtu plašāku informāciju, kas nepieciešama attiecīgajā situācijā.

Vispārīgi drošības norādījumi



BRĪDINĀJUMS: Pirms izstrādājuma lietošanas izlasiet tālāk izklāstītos brīdinājumus.

- Šis izstrādājums ir bīstams, ja to lieto nepareizi vai ja nerīkojaties piesardzīgi. Drošības instrukciju neievērošana var izraisīt traumas vai nāvi.
- Šis izstrādājums darbības laikā rada elektromagnētisko lauku. Zināmos apstākļos šis lauks var traucēt aktīvā vai pasīvā medicīniskā implantāta darbību. Lai samazinātu nopietnas traumas gušanas vai dzīvības zaudēšanas risku, mēs iesakām personām, kam ir medicīniskie implantāti, pirms šī izstrādājuma lietošanas

Atbildība par izstrādājuma kvalitāti

Saskaņā ar likumiem par izstrādājuma kvalitāti mēs neuzņemamies atbildību par bojājumiem, ko radījis mūsu izstrādājums, ja:

- ir veikts nepareizs izstrādājuma remonts;
- izstrādājuma remonts ir veikts, izmantojot detaļas, ko nav nodrošinājis vai apstiprinājis ražotājs;
- izstrādājumam tiek pievienots piederums, ko nav nodrošinājis vai apstiprinājis ražotājs;
- izstrādājuma remonts nav veikts pilnvarotā remontdarbnīcā vai pie pilnvarota speciālista.

konsultēties ar savu ārstu un medicīniskā implantāta ražotāju.

- Vienmēr rīkojieties piesardzīgi un saprātīgi. Ja neesat drošs par to, kā izmantot šo izstrādājumu konkrētā situācijā, pārtrauciet darbu un sazinieties ar savu Husqvarna izplatītāju, pirms turpināt.
- Paturiet prātā, ka operators ir atbildīgs par negadījumiem, kuros iesaistītas citas personas.
- Gādājiet, lai izstrādājums ir tīrs. Pārlicienieties, ka varat skaidri izlasīt zīmes un uzlīmes.
- Neļaujiet nevienai personai izmantot izstrādājumu, ja neesat pārliciecinājies, ka šī persona ir izlasījusi un izprot lietotāja rokasgrāmatas saturu.
- Neļaujiet bērniem lietot šo izstrādājumu.
- Bērni nedrīkst atrasties darba zonā. Tuvumā vienmēr jābūt pieaugušajam.
- Neļaujiet lietot izstrādājumu personai, kas nav iepazīstināta ar lietošanas norādījumiem.
- Ja produktu izmanto persona ar samazinātām fiziskajām vai garīgajām spējām, vienmēr uzaugiet šo personu. Tuvumā vienmēr jābūt pieaugušajam.
- Neizmantojiet šo izstrādājumu, ja esat noguris, slims vai esat alkohola, narkotiku vai medikamentu izraisītā reibumā. Šāds stāvoklis negatīvi ietekmē jūsu redzi, modrību, koordināciju un spriestspēju.
- Nelietojiet izstrādājumu, kas ir bojāts vai nedarbojas pareizi.
- Neveiciet izmaiņas šajā izstrādājumā un neizmantojiet to, ja ir iespējams, ka citas personas tajā ir veikušas izmaiņas.
- Nemainiet noregulēto dzinēja apgriezību skaitu

Darba zonas drošība



BRĪDINĀJUMS: Pirms sākat lietot izstrādājumu, izlasiet tālāk izklāstītās brīdinājuma instrukcijas.

- Pirms izmantojat izstrādājumu, noņemiet no darba zonas priekšmetus, piemēram, zarus, žaģarus un akmeņus.
- Priekšmeti, kas saskaras ar griešanas ierīci, var atlēkt un nodarīt kaitējumu personām vai citiem priekšmetiem. Gādājiet, lai citi cilvēki un dzīvnieki atrastos drošā attālumā no izstrādājuma.
- Nekad neizmantojiet izstrādājumu sliktos laikapstākļos, piemēram, miglā, lietū, stiprā vējā, lielā aukstumā un pastāvot zibeņošanas riskam. Izstrādājuma izmantošana sliktos laikapstākļos vai mitrā vai slapjā vietā ir nogurdinoša. Slikti laikapstākļi var izraisīt bīstamus apstākļus, piemēram, slidenas virsmas.
- Pārlicinieties, vai nav personu, priekšmetu un situāciju, kas varētu kavēt izstrādājuma drošu darbību.
- Uzmanīgi skatieties, vai nav šķēršļu, piemēram, sakņu, akmeņu, zaru, bedru un grāvju. Garā zālē var atrasties dažādi šķēršļi.
- Pļaušana uz nogāzēm var būt bīstama. Neizmantojiet izstrādājumu uz virsmas, kuras slīpums pārsniedz 15°.
- Uz nogāzēm izstrādājumu izmantojiet garenvirzienā. Nepļaujiet uz augšu un uz leju.
- Esiet uzmanīgi, kad tuvojaties stūriem, aiz kuriem nekas nav redzams, no priekšmetiem, kas aizsedz skaidru skatu.

Darba drošība



BRĪDINĀJUMS: Pirms sākat lietot izstrādājumu, izlasiet tālāk izklāstītās brīdinājuma instrukcijas.

- Izmantojiet šo izstrādājumu tikai zālienu pļaušanai. Izstrādājumu nav atļauts izmantot citu darbu veikšanai.
- Lietojiet individuālos aizsardzības līdzekļus. Skatiet šeit: *Individuālie aizsarglīdzekļi lpp. 213.*
- Pārlicinieties, vai zināt, kā ārkārtas situācijā ātri apturēt dzinēju.
- Nekad neiedarbiniet dzinēju slēgtās telpās vai uzliesmojošu materiālu tuvumā. Dzinēja izplūdes gāzes ir karstas, un tajās var būt dzirksteles, kas var izraisīt ugunsgrēku.
- Nedarbiniet izstrādājumu, ja asmens un visi pārsegi nav piestiprināti pareizi. Nepareizi piestiprināts asmens var kļūt vaļīgs un izraisīt traumas personai.
- Pārlicinieties, ka asmens neatsitas pret priekšmetiem, piemēram, akmeņiem un saknēm. Tas var sabojāt asmeni un saliekt dzinēja vārpstu. Saliekts asmens izraisa stipru vibrāciju un rada ļoti lielu risku, ka asmens kļūst vaļīgs.
- Ja asmens saskaras ar priekšmetu vai rodas spēcīgas vibrācijas, nekavējoties izslēdziet izstrādājumu. Atvienojiet aizdedzes vadu no aizdedzes sveces. Pārbaudiet, vai izstrādājumā nav

bojājumu. Novērsiet bojājumus vai ļaujiet pilnvarotā servisa pārstāvim veikt remontu.

- Nekad nepiestipriniet dzinēja bremžu rokturi pastāvīgi rokturim, kad dzinējs ir iedarbināts.
- Novietojiet izstrādājumu uz stabilas, līdzenas virsmas un iedarbiniet to. Pārlicinieties, vai asmens nepieskaras zemei vai citiem priekšmetiem.
- Darbinot izstrādājumu, vienmēr stāviet aiz tā.
- Darbinot izstrādājumu, raugiet, lai visi četri riteņi atrodas uz zemes un turiet rokturi ar abām rokām. Turiet rokas un kājas drošā attālumā no rotējošajiem asmeņiem.
- Nekad nenolieciet izstrādājumu dzinēja darbības laikā.
- Esiet piesardzīgs, velkot izstrādājumu uz aizmuguri.
- Nekad neceliet izstrādājumu uz augšu dzinēja darbības laikā. Ja jums jāpaceļ izstrādājums, vispirms izslēdziet dzinēju un atvienojiet aizdedzes vadu no aizdedzes sveces.
- Neejiet atmuguriski izstrādājuma lietošanas laikā.
- Izslēdziet dzinēju, kad pārvietojaties pa teritorijām, ko neklāj zāle, piemēram, pa grants, akmens vai asfalta celiņiem.
- Nekad neskrīniet ar izstrādājumu dzinēja darbības laikā. Darbinot izstrādājumu, vienmēr ejiet.
- Apturiet dzinēju, pirms maināt griešanas augstumu. Nekad nemēģiniet veikt regulēšanas darbus dzinēja darbības laikā.
- Nekad neatstājiet izstrādājumu bez uzraudzības dzinēja darbības laikā. Izslēdziet dzinēju un pārlicinieties, vai griešanas ierīce nerotē.

Norādījumi par drošu darbu

Individuālie aizsarglīdzekļi



BRĪDINĀJUMS: Pirms sākat lietot izstrādājumu, izlasiet tālāk izklāstītās brīdinājuma instrukcijas.

- Šādi līdzekļi nevar pilnībā novērst traumu gūšanas risku, taču samazina traumu smaguma pakāpi, ja negadījums tomēr notiek. Ļaujiet izplatītajam palīdzēt jums izvēlēties pareizo aprīkojumu.
- Ja trokšņa līmenis ir augstāks par 85 dB, izmantojiet dzirdes aizsarglīdzekļus.
- Velciet izturīgus zābakus vai kurpes, kas neslīd.
- Nevelciet vaļējas kurpes un neejiet ar basām kājām.
- Velciet izturīgas garās bikses.
- Vajadzības gadījumā izmantojiet aizsargcimdus, piemēram, piestiprinot, pārbaudot vai fīrot griešanas aprīkojumu.

Izstrādājuma drošības ierīces



BRĪDINĀJUMS: Pirms izstrādājuma lietošanas izlasiet zemāk minētos brīdinājumus.

- Nelietojiet izstrādājumu kopā ar drošības ierīcēm, kas ir bojātas vai nedarbojas pareizi.
- Regulāri pārbaudiet drošības ierīces. Ja drošības ierīces ir bojātas vai nedarbojas pareizi, sazinieties ar Husqvarna apkopes dienesta pārstāvi.
- Nepārveidojiet drošības ierīces.

Griezēja pārsega pārbaude

Griezēja pārsegs samazina izstrādājuma vibrācijas un asmens radītu ievainojumu gūšanas risku.

- Pārbaudiet griezēja pārsegu, lai pārliecinātos, vai nav bojājumu, piemēram, plaisu.

Siksnas aizsarga pārbaude

Siksnas aizsargs samazina traumu risku, kā arī nodrošina, ka bojāta piedziņas sikсна netiek izviesta.

- Pārliecinieties, vai siksnas aizsargam nav bojājumu un vai tas ir pareizi piestiprināts. (Att. 15)

Dzinēja bremžu rokturis

Dzinēja bremžu rokturis aptur dzinēju. Atlaižot dzinēja bremžu rokturi, dzinējs apstājas.

Lai pārbaudītu dzinēja bremzes, iedarbiniet dzinēju un pēc tam atļaidiet dzinēja bremžu rokturi. Ja dzinējs neapstājas trīs sekundēs, lieciet pilnvarotā Husqvarna servisa pārstāvim noregulēt dzinēja bremzes.

(Att. 16)

Vibrāciju slāpēšanas sistēmas pārbaude



BRĪDINĀJUMS: Personām ar asinsrites traucējumiem pārmērīga atrašanās vibrāciju ietekmē var izraisīt asinsrites vai nervu sistēmas bojājumus. Ja jūtat pārmērīgas vibrāciju ietekmes simptomus, meklējiet medicīnisku palīdzību. Tie var būt šādi: tirpšana, nejutīgums, tirpas, dursīšana, sāpes, vājums vai izmaiņas ādas krāsā un stāvoklī. Šie simptomi parasti ir novērojami pirkstos, rokās vai locītavās.

Vibrāciju slāpēšanas sistēma izstrādājuma darbības laikā samazina rokturu vibrāciju līdz minimumam.

Tērauda caurule stūrē un griezēja pārsegs samazina vibrāciju. Modelim KLIPPO LB 548SQe ir arī 4 stūre piestiprinātas vibrāciju slāpēšanas iekārtas.

- Pārbaudiet stūres un vibrāciju slāpēšanas iekārtas, lai pārliecinātos, vai tās nav bojātas. (Att. 17)

Naža adapteris

Naža adapteris samazina dzinēja vārpstas saliekšanās risku. Ja vārpsta trāpa kādam priekšmetam, nazis tiek virzīts pret naža adapteri. Kuslība rada nodilumu uz naža adaptera virsmas. Nodilums norāda, ka dzinēja vārpstas aizsardzība darbojas pareizi.

Trokšņa slāpētājs

Slāpētājs maksimāli mazina troksni un novirza dzinēja izplūdes gāzes prom no operatora.

Nelietojiet produktu, ja nav trokšņa slāpētāja vai tas ir bojāts. Bojāts trokšņa slāpētājs palielina trokšņa līmeni un aizdegšanās risku.



BRĪDINĀJUMS: Lietošanas laikā, tūlīt pēc tās un tad, kad dzinējs darbojas tukšgaitā, trokšņa slāpētājs būtiski sakarst. Lai nepieļautu aizdegšanos, esiet piesardzīgi uzliesmojošu materiālu un/vai gāzu tuvumā.

Trokšņa slāpētāja pārbaude

- Regulāri pārbaudiet slāpētāju, lai pārliecinātos, ka tas ir pareizi piestiprināts un nav bojāts.

Drošības norādījumi, rīkojoties ar degvielu



BRĪDINĀJUMS: Pirms sākat lietot izstrādājumu, izlasiet tālāk izklāstītās brīdinājuma instrukcijas.

- Nelietojiet izstrādājumu, ja uz tā ir degviela vai dzinēja eļļa. Nofiriet nevēlamu degvielu/eļļu un ļaujiet izstrādājumam nožūt.
- Ja degviela ir nokļuvusi uz apģērba, nekavējoties pārģērbieties.
- Neļaujiet degvielai nonākt uz ķermeņa, jo tā var izraisīt savainojumus. Ja degviela ir nonākusi uz ķermeņa, izmantojiet ziepes un ūdeni, lai to nomazgātu.
- Nelietojiet izstrādājumu, ja dzinējā ir sūce. Regulāri pārbaudiet, vai dzinējam nav radusies sūce.
- Rīkojoties ar degvielu, esiet uzmanīgs. Degviela ir viegli uzliesmojoša, tās tvaiki ir sprādzienbīstami, un var izraisīt savainojumus vai nāvi.
- Neieelpojiet degvielas tvaikus, jo tie var izraisīt savainojumus. Pārliecinieties, vai gaisa plūsma ir pietiekama.
- Nesmēķējiet degvielas vai dzinēja tuvumā.
- Nenovietojiet siltus objektus degvielas vai dzinēja tuvumā.
- Nepievienojiet degvielu dzinēja darbības laikā.
- Pirms degvielas uzpildes pārliecinieties, vai dzinējs ir atdzisis.
- Pirms uzpildes lēni atveriet degvielas tvertnes vāciņu un uzmanīgi izlaidiet spiedienu.
- Neveiciet dzinēja degvielas uzpildi telpās. Nepietiekama gaisa plūsma var izraisīt savainojumus vai nāvi, nosmokot vai saindējoties ar oglekļa monoksīdu (tvana gāzi).
- Pilnībā piegrieziet degvielas tvertnes vāciņu. Ja degvielas tvertnes vāciņš nav piegriezts, pastāv aizdegšanās risks.

- Pirms iedarbināšanas pārvietojiet izstrādājumu vismaz 3 m (10 pēdas) no vietas, kur piepildījāt tvertni.
- Nepiepildiet degvielas tvertni pilnībā. Siltuma ietekmē degviela izplešas. Atstājiet degvielas tvertnes augšdaļu tukšu.

Norādījumi par drošu apkopi



BRĪDINĀJUMS: Pirms sākat lietot izstrādājumu, izlasiet tālāk izklāstītās brīdinājuma instrukcijas.

- Dzinēja gāzu izplūdes satur oglekļa monoksīdu, kas ir bezkrāsaina, indīga un ļoti bīstama gāze. Nedarbini dzinēju iekštelpās vai slēgtās telpās.
- Pirms veicat izstrādājuma apkopi, vispirms izslēdziet dzinēju un atvienojiet aizdedzes vadu no aizdedzes sveces.

- Veicot griešanas aprīkojuma apkopi, velciet aizsargcimdus. Asmens ir ļoti ass, un ar to var viegli sagriezties.
- Piederumi un pārveidojumi izstrādājumā, kurus ražotājs nav apstiprinājis, var izraisīt nopietnas traumas vai nāvi. Nepārveidojiet izstrādājumu. Izmantojiet tikai tādus piederumus, ko ir apstiprinājis ražotājs.
- Ja apkope netiek veikta pareizi un regulāri, traumu gūšanas risks un bojājumu izstrādājumam risks palielinās.
- Veiciet tikai to apkopi, kas norādīta īpašnieka rokasgrāmatā. Visi pārējie apkopes darbi jāveic pilnvarotā Husqvarna servisa pārstāvim.
- Ļaujiet pilnvarotā Husqvarna servisa pārstāvim regulāri veikt izstrādājuma apkopi.
- Nomainiet bojātās, nodilušās un salūzušās detaļas.

Montāža

Ievads



BRĪDINĀJUMS: Pirms montējat izstrādājumu, izlasiet nodaļu par drošību un pārliecinieties, vai saprotat to.



BRĪDINĀJUMS: Noņemiet aizdedzes sveces vadu no aizdedzes sveces, pirms montējat izstrādājumu.

Roktura uzstādīšana un regulēšana

1. Noņemiet roktura uzgriezni un paplāksni no plāksnes uz augšējā roktura.
2. Novietojiet augšējo rokturi pozīcijā virs apakšējā roktura.



IEVĒROJIET: Pārliecinieties, vai troses nesapinas un netiek bojātas.

3. Piestipriniet paplāksni un roktura uzgriezni. (Att. 18)
4. Pagrieziet rokturi uz sāniem, lai nodrošinātu piemērotu ekspluatācijas pozīciju, kad izstrādājumu ekspluatējat sienas tuvumā. (Att. 19)
5. Pagrieziet regulēšanas ritenīšus uz šasijas, lai rokturi regulētu vertikāli. (Att. 20)

Mulčēšanas aizbāžņa montāža (KLIPPO LB 448S, KLIPPO LB 448SQ, KLIPPO LB 548SQe)

1. Sasveriet izstrādājumu uz aizmuguri tā, lai aizdedzes svece būtu augšā.
2. Ievietojiet mulčēšanas aizbāžņa tapas atverēs no griezēja pārsega iekšpuses. (Att. 21)
3. Piestipriniet mulčēšanas aizbāžņa skrūves no griezēja pārsega ārpusēs. (Att. 22)

Lietošana

Ievads



BRĪDINĀJUMS: Pirms sākat darbu ar produktu, izlasiet nodaļu par drošību un pārliecinieties, vai saprotat to.

Husqvarna Connect

Husqvarna Connect ir bezmaksas lietotne jūsu mobilajai ierīcei. Lietotne Husqvarna Connect nodrošina paplašinātas funkcijas jūsu Husqvarna izstrādājumam:

- Paplašināta izstrādājuma informācija.
- Informācija par izstrādājuma daļām un apkopi un palīdzība ar to.

Lai sāktu izmantot Husqvarna Connect

1. Lejupielādējiet Husqvarna Connect lietotni savā mobilajā ierīcē.
2. Reģistrējieties Husqvarna Connect lietotnē.
3. Izpildiet Husqvarna Connect lietotnē sniegtos norādījumus, lai savienotu un reģistrētu produktu.

Pirms izstrādājuma darbināšanas

1. Uzmaniģi izlasiet lietotāja rokasgrāmatu un pārliecinieties, vai izprotat instrukcijas.
2. Pārbaudiet griešanas aprīkojumu, lai pārliecinātos, vai tas ir pareizi piestiprināts un noregulēts. Skatiet šeit: *Griešanas aprīkojuma pārbaudīšana lpp. 218.*
3. Uzpildiet degvielas tvertni. Skatiet šeit: *Degvielas uzpildīšana lpp. 216.*
4. Uzpildiet degvielas tvertni un pārbaudiet eļļas līmeni. Skatiet šeit: *Eļļas līmeņa pārbaude lpp. 219.*

Degvielas uzpildīšana

Ja iespējams, izmantojiet zemu emisiju/alkilātu degvielu. Ja zemu emisiju/alkilātu benzīns nav pieejams, izmantojiet kvalitatīvu bezsvina benzīnu vai svīnu saturošu benzīnu, kura oktānskaitlis ir vismaz 90.



IEVĒROJIET: Neizmantojiet benzīnu, kura oktānskaitlis ir mazāks par 90 RON (87 AKI). Pretējā gadījumā izstrādājums var tikt bojāts.

1. Lēni atveriet degvielas tvertnes vāciņu, lai samazinātu spiedienu.
2. Lēni uzpildiet ar degvielas kannu. Ja esat izšķakstījis degvielu, noīriet to ar drāniņu un ļaujiet atlikušajai degvielai nožūt. (Att. 23)
3. Noīriet vietu ap degvielas tvertnes vāciņu.
4. Pilnībā piegrieziet degvielas tvertnes vāciņu. Ja degvielas tvertnes vāciņš nav piegriezts, pastāv aizdegšanās risks.
5. Pirms iedarbināšanas pārvietojiet izstrādājumu vismaz 3 m (10 pēdu attālumā) no vietas, kur veicāt uzpildi.

Plaušanas augstuma regulēšana

Griešanas augstumu var noregulēt 6 līmeņos.

1. Lai palielinātu griešanas augstumu, pārvietojiet griešanas augstuma sviru uz priekšu.
2. Lai samazinātu griešanas augstumu, pārvietojiet griešanas augstuma sviru uz aizmuguri.



IEVĒROJIET: Neiestatiet griešanas augstumu pārāk zemu. Ja zāliena virsma nav līdzena, asmeņi var saskarties ar zemi.

Izstrādājuma iedarbināšana

1. Pārliecinieties, vai aizdedzes vads ir pievienots aizdedzes svecei.

2. Atveriet degvielas vārstu. (Att. 24)
3. Stāviet aiz izstrādājuma.
4. Turiet dzinēja bremžu rokturi pretī stūrei. (Att. 25)
5. Turiet startera auklas rokturi ar labo roku.
6. Lēni velciet startera auklu, līdz sajūtat pretestību.
7. Lai iedarbinātu dzinēju, spēcīgi to pavelciet.



BRĪDINĀJUMS: Netiniet startera auklu ap roku.



IEVĒROJIET: Neizvelciet startera auklu pilnībā. Neatļaidiet startera auklas rokturi, kad aukla izvilktā.

Piedziņas izmantošana riteņiem

- Bīdīet piedziņas sviru uz leju. (Att. 26)
- Pirms velkat izstrādājumu uz aizmuguri, atvienojiet piedziņu un pastumiet izstrādājumu uz priekšu aptuveni 10cm.
- Nedaudz atlaidiet dzinēja bremžu rokturi, lai atvienotu piedziņu, piemēram, ja ejat tuvu šķērslim.

Izstrādājuma izslēgšana

- Lai apstādinātu tikai piedziņu, nedaudz atlaidiet dzinēja bremžu rokturi.
- Lai apturētu dzinēju, pilnībā atlaidiet dzinēja bremžu rokturi.
- Aizveriet degvielas vārstu. (Att. 27)

Labā rezultāta panākšana

- Vienmēr lietojiet tikai asus asmeņus. Lietojot trulu asmeni, plaušanas rezultāts ir nevienmērīgs, un noplautā zāles virsma kļūst dzeltena. Ass asmens arī patērē mazāk enerģijas nekā truls asmens.
- Nepļaujiet vairāk par 1/3 no zāles garuma. Vispirms pļaujiet ar lielu pļaušanas augstuma iestatījumu. Pārbaudiet rezultātu un nolaidiet pļaušanas augstumu līdz pieņemamam līmenim. Ja zāle ir ļoti gara, pļaujiet lēni un, ja nepieciešams, dariet to divreiz.
- Katru reizi pļaujiet dažādos virzienus, lai zālienā neatstātu svītras.
- Uzturiet pļaušanas pārsegu tīru. Zāles un netīrumu uzkrāšanās pļaušanas pārsega iekšpusē var pasliktināt pļaušanas rezultātu. Skatiet: *Produkta tīrīšana no ārpuses lpp. 217.*

Apkope

levads



BRĪDINĀJUMS: Pirms veicat apkopi, izlasiet nodaļu par drošību un pārliecinieties, vai izprotat to.

Lai veiktu visus izstrādājuma apkopes un remonta darbus, ir nepieciešama īpaša apmācība. Mēs garantējam profesionāla remonta un apkopes pieejamību. Ja jūsu izplatītājs nav servisa pārstāvis, vērsieties pie viņa, lai iegūtu informāciju par tuvāko servisa pārstāvi.

Papildinformāciju skatiet šeit: www.husqvarna.com.

Tehniskās apkopes grafiks

Apkopes intervāli tiek aprēķināti atbilstoši izstrādājuma ikdienas lietošanai. Intervāli mainās, ja izstrādājumu neizmanto ikdienā.

Apkopi, kas atzīmēta ar zīmi*: norādījumus skatiet šeit: *Izstrādājuma drošības ierīces lpp. 213.*

Tehniskā apkope	Katru dienu	Reizi nedēļā	Reizi mēnesī
Veiciet vispārīgu pārbaudi	X		
Pārbaudiet eļļas līmeni	X		
Notīriet izstrādājumu	X		
Iztīriet gaisa filtru	X		
Pārbaudiet griešanas aprīkojumu	X		
Pārbaudiet griešanas vāku*	X		
Pārbaudiet dzinēja bremžu rokturi*	X		
Pārbaudiet slāpētāju*		X	
Pārbaudiet aizdedzes sveci		X	
Pārbaudiet, vai piedziņas siksnai nav bojājumu			X
Iztīriet zobrata korpusu			X
Modelim KLIPPO LB 448S, KLIPPO LB 453S. Nomainiet eļļu (pirmo reizi pēc 5 h lietošanas, pēc tam — ik pēc 25 h lietošanas un reizi gadā)			X
Modelim KLIPPO LB 448SQ, KLIPPO LB 453SQ, KLIPPO LB 548SQe. Nomainiet eļļu (pirmo reizi pēc 5 h lietošanas, pēc tam — ik pēc 100 h lietošanas un reizi gadā)			X
Nomainiet gaisa filtru			X
Pārbaudiet degvielas sistēmu			X
Pārbaudiet un noregulējiet piedziņu (sajūga vadu)			X

Vispārējās pārbaudes veikšana

- Pārliecinieties, vai visi uzgriežņi un skrūves uz izstrādājuma ir pareizi pievilkti.

Produkta tīrīšana no ārpuses

- Izmantojiet suku, lai notīrītu lapas, zāli un nefīrumus.
- Pārliecinieties, vai gaisa ieplūde dzinēja augšpusē nav bloķēta.

- Produktu nedrīkst skalot ar augstspiediena ūdens strūklu.
- Ja izstrādājuma tīrīšanai izmantojat ūdeni, neļiejiet to tieši uz dzinēja.

Griešanas pārsega iekšējās virsmas tīrīšana

1. Novietojiet izstrādājumu uz sāniem ar slāpētāju uz leju.



IEVĒROJIET: Novietojot izstrādājumu ar gaisa filtru uz leju, var sabojāt dzinēju.

2. Ar šļūteni noskalojiet griešanas pārsega iekšējo virsmu.

Piedziņas siksnas pārbaude un pārnesumkārbas (reduktora) kartera tīrīšana

1. Noņemiet 4 skrūves uz siksnas aizsarga un noņemiet siksnas aizsargu. (Att. 28)
2. Pārbaudiet, vai piedziņas siksnā un siksnas skrīmeļiem nav bojāti.
3. Izmantojiet suku, lai notīrītu lapas, zāli un nefūrumus no pārnesumkārbas (reduktora) kartera. (Att. 29)

Piedziņas siksnas nomaiņa un regulēšana

1. Noņemiet 4 skrūves uz siksnas aizsarga un noņemiet siksnas aizsargu. (Att. 28)
2. Ievietojiet plakangala skrūvgriezi starp dekoratīvo disku un riteni uz izstrādājuma labā priekšējā riteņa.
3. Uzmaniģi grieziet skrūvgriezi, lai noņemtu dekoratīvo disku.
4. Izņemiet riteņa skrūvi un noņemiet riteni. (Att. 30)
5. Noņemiet piedziņas siksnu no siksnas skrīmeļiem.
6. Pārlicinieties, vai siksnas skrīmeļi kustas viegli uz ass.
7. Ja nepieciešams, uzsmidziniet dzīzās iedarbības eļļu starp un aiz siksnas skrīmeļiem un ieeļļojiet asi.
8. Uzstādiēt jaunu piedziņas siksnu un piestipriniet to pareizi pie lodīšu gultņa, pirms regulējat piedziņas siksnu. (Att. 31)
9. Pārvietojiet lodīšu gultni uz augšu vai leju, lai regulētu piedziņas siksnu. (Att. 32)

Piezīme: Jauna piedziņas siksnā pēc lietošanas kļūst garāka. Regulējiet piedziņas siksnu vēlreiz pēc vairākām darba stundām.

10. Pievienojiet siksnas aizsargu.
11. Eksploatējiet izstrādājumu, lai nodrošinātu, ka piedziņas siksnā ir pareizi uzstādīta un noregulēta.

Vidējās siksnas nomaiņa un regulēšana

1. Noņemiet asmeni.

Piezīme: Šis solis ir nepieciešams, ja regulējat tikai vidējo siksnu.

2. Atbrīvojiet regulēšanas skrūves par vairākiem apgriezieniem, bet neizņemiet tās. (Att. 33)
3. Nomainiet vidējo siksnu un mēreni piegrieziet regulēšanas skrūves.

Piezīme: Šis solis ir nepieciešams, ja regulējat tikai vidējo siksnu.

4. Pārvietojiet pārnesumu uz priekšu vai atpakaļ, lai regulētu vidējo siksnu. (Att. 34)
5. Izmantojiet āķa svarus, lai pārbaudiet vidējās siksnas spriegojumu. Siksnas spriegojums ir pareizs, ja tā centrā var pārvietoties par 6–10 mm. Tas atbilst 3 kg rāvienam. (Att. 35)
6. Pilnībā pievelciet regulēšanas skrūves ar 3 Nm griezes momentu.
7. Eksploatējiet izstrādājumu, lai nodrošinātu, ka piedziņas siksnā ir pareizi uzstādīta un noregulēta.

Griešanas aprīkojuma pārbaudīšana



BRĪDINĀJUMS: Lai novērstu nejaūšu palaišanu, atvienojiet aizdedzes vadu no aizdedzes sveces.



BRĪDINĀJUMS: Veicot griešanas aprīkojuma apkopi, velciet aizsargcimdus. Asmens ir ļoti ass, un ar to var viegli sagriezties.

1. Pārbaudiet, vai griešanas aprīkojums nav bojāts vai ieplaisājis. Vienmēr nomainiet bojātu griešanas ierīci.
2. Apskatiet asmeni, lai redzētu, vai tas nav bojāts vai trūls.

Piezīme: Vajadzības gadījumā pēc asmens uzasināšanas to balansējiet. Ļaujiet servisa centram asināt, nomainīt un balansēt asmeni. Ja saskaraties ar šķērslī, kas liek izstrādājumam apstāties, nomainiet bojāto asmeni. Lai apkopes centra pārstāvis novērtēt, vai asmens ir jāuzasina, vai arī tas ir jānomaina.

Asmens nomaiņšana

1. Bloķējiet asmeni ar koka klucīti. (Att. 36)
2. Izņemiet asmens skrūvi, atsperi, noņemiet paplāksni un asmeni. (Att. 37)
3. Pārbaudiet, vai naža adapteris un asmens skrūve nav bojāti.
 - a) Ja nomaināt naža adaptera asmeni, nomainiet arī asmens skrūvi, atsperes paplāksni un berzes paplāksni.

- Pārbaudiet dzinēja vārpstu, lai pārļiecinātos, vai tā nav saliekta.
- Kad piestiprināt jauno asmeni, pārļiecinieties, vai saliektie gali ir vērsti griešanas pārsega virzienā. (Att. 38)
- Novietojiet berzes paplāksni un asmeni pret asmens atbalstu. (Att. 39)
- Pārļiecinieties, vai asmens ir salāgots ar dzinēja vārpstas centru. (Att. 40)
- Blokējiet asmeni ar koka klucīti. (Att. 41)
- Piestipriniet atsperepaplāksni un piegrieziet skrūvi ar 80 Nm griezes momentu. (Att. 42)
- Ar roku pagrieziet asmeni un pārbaudiet, vai tas griežas brīvi.



BRĪDINĀJUMS: Lietojiet aizsargcimdus. Asmens ir ļoti ass, un ar to var viegli sagriezties.

- Iedarbiniet izstrādājumu, lai pārbaudītu asmeni. Ja asmens nav pareizi piestiprināts, izstrādājums vibrē vai pļausanas rezultāts nav apmierinošs.

Eļļas līmeņa pārbaude



IEVĒROJIET: Pārāk zems eļļas līmenis var izraisīt dzinēja bojājumus. Pirms iedarbināt izstrādājumu, pārbaudiet eļļas līmeni.

- Novietojiet izstrādājumu uz līdzenas virsmas.
- Noņemiet eļļas tvertnes vāciņu ar piestiprināto mērstieni.
- Notīriet no mērstieņa eļļu.
- Pilnībā ievietojiet mērstieni eļļas tvertnē. Pievelciet eļļas tvertnes vāciņu, lai pareizi pārbaudītu eļļas līmeni.
- Izņemiet mērstieni.
- Pārbaudiet eļļas līmeni uz mērstieņa.
- Ja eļļas līmenis ir pārāk zems, uzpildiet dzinēja eļļu un pārbaudiet eļļas līmeni vēlreiz.

(Att. 43)

Piezīme: Lai novērstu eļļas izšļakstīšanos, izmantojiet piltuvi.

Dzinēja eļļas maiņa



BRĪDINĀJUMS: Uzreiz pēc dzinēja izslēgšanas dzinēja eļļa ir ļoti karsta. Ļaujiet dzinējam atdzist, pirms izlejāt dzinēja eļļu. Ja dzinēja eļļa ir uzšļakstījusies uz ādas, nomazgājiet to ar ziepēm un ūdeni.

(Att. 44)

- Noņemiet aizdedzes vadu no aizdedzes sveces.
- Noņemiet eļļas tvertnes vāciņu.
- Iztecīniet dzinēja eļļu.
 - Modeļiem ar eļļas izliešanas aizbāzni: Novietojiet tvertni zem eļļas izliešanas aizbāžņa, lai savāktu dzinēja eļļu.
 - Modeļiem bez eļļas izliešanas aizbāžņa vai arī, ja zem eļļas izliešanas aizbāžņa nav iespējams novietot tvertni: Izmantojiet eļļas sūkni (papildaprīkojums), lai izvadītu eļļu no eļļas tvertnes.
- Iepildiet jaunu dzinēja eļļu, kuras tips atbilst ieteikumiem *Tehniskie dati lpp. 221*.
- Pārbaudiet eļļas līmeni. Skatiet šeit: *Eļļas līmeņa pārbaude lpp. 219*.

Gaisa filtrs

Piezīme: Gaisa filtru, kas ir izmantots ilgu laiku, nevar iztīrīt. Regulāri nomainiet gaisa filtru. Vienmēr nomainiet bojātu gaisa filtru.

Gaisa filtra noņemšana un uzstādīšana (KLIPPO LB 488SQ, KLIPPO LB 453SQ, KLIPPO LB 548Qe)



BRĪDINĀJUMS: Lietojiet aizsargcimdus.

- Piespiediet skavas, kas fiksē gaisa filtra pārsegu.
- Uzmanīgi noņemiet no dzinēja gaisa filtra pārsegu (A).
- Noņemiet gaisa filtru (B) un putu filtru (C). (Att. 45)
- Pārbaudiet, vai gaisa filtrs nav bojāts. Nomainiet bojātu gaisa filtru.
- Iztīriet un pārbaudiet gaisa filtru. Skatiet šeit: *Gaisa filtra tīrīšana (KLIPPO LB 448SQ, KLIPPO LB 453SQ, KLIPPO LB 548Qe) lpp. 219*.
- Uzstādiet, veicot darbības pretējā secībā.

Gaisa filtra tīrīšana (KLIPPO LB 448SQ, KLIPPO LB 453SQ, KLIPPO LB 548Qe)



IEVĒROJIET: Nedarbiniet dzinēju, ja nav pievienots gaisa filtrs vai tas ir netīrs.



IEVĒROJIET: Ja gaisa filtru nevar pilnībā iztīrīt vai tas ir bojāts, nomainiet to. Bojāts gaisa filtrs rada dzinēja bojājumus.

- Nospiediet fiksatora izciļņus (A), noņemiet gaisa filtra pārsegu (B) un izņemiet gaisa filtru (C). (Att. 46)

2. Pasitiet gaisa filtru pret cietu virsmu vai pūtiet caur filtru saspiestu gaisu no tā tīrās puses.



IEVĒROJIET: Neizmantojiet suku, lai noņemtu neīrumus, jo tādējādi neīrumi tiek iespiesti gaisa filtrā.

3. Tīriet gaisa filtra turētāju (D) un gaisa filtra pārsegu ar mitru drānu.



IEVĒROJIET: Pārļiecinieties, ka gaisa kanālā (E) neiekļūst neīrumi.

4. Uzstādiat gaisa filtru. Pārbaudiat, vai gaisa filtrs pilnībā balstās pret gaisa filtra turētāju.
5. Uzstādiat gaisa filtra pārsegu ar apakšējiem izciļņiem vispirms.

Gaisa filtra tīrīšana (KLIPPO LB 448S, KLIPPO LB 453S)



IEVĒROJIET: Nedarbiniet dzinēju, ja nav pievienots gaisa filtrs vai tas ir nefīrs.



IEVĒROJIET: Ja gaisa filtru nevar pilnībā iztīrīt vai tas ir bojāts, nomainiet to. Bojāts gaisa filtrs rada dzinēja bojājumus.

1. Nospiediet fiksatora izciļņus (A), noņemiet gaisa filtra pārsegu (B) un izņemiet gaisa filtru (C). (Att. 47)
2. Pasitiet gaisa filtru pret cietu virsmu vai pūtiet caur filtru saspiestu gaisu no tā tīrās puses.



IEVĒROJIET: Neizmantojiet suku, lai noņemtu neīrumus, jo tādējādi neīrumi tiek iespiesti gaisa filtrā.

3. Tīriet gaisa filtra turētāju (D) un gaisa filtra pārsegu ar mitru drānu.



IEVĒROJIET: Pārļiecinieties, ka gaisa kanālā (E) neiekļūst neīrumi.

4. Uzstādiat gaisa filtru. Pārbaudiat, vai gaisa filtrs pilnībā balstās pret gaisa filtra turētāju.

5. Uzstādiat gaisa filtra pārsegu ar apakšējiem izciļņiem vispirms.

Aizdedzes sveces pārbaude



IEVĒROJIET: Vienmēr lietojiet ieteikto aizdedzes sveces tipu. Nepiemērota aizdedzes svece var radīt izstrādājuma bojājumus.

- Pārbaudiat aizdedzes sveci, ja dzinējam nepietiek jaudas, dzinēju nevar viegli iedarbināt vai arī tas nedarbojas pareizi tukšgaitā.
- Lai samazinātu nevēlamu materiālu uzkrāšanos uz aizdedzes sveces elektrodiem, ievērojiet turpmākos norādījumus.
 - a) Pārļiecinieties, vai tukšgaitas apgriezīnu skaits ir noregulēts pareizi.
 - b) Pārļiecinieties, vai degvielas maisījums ir atbilstošs.
 - c) Pārļiecinieties, vai gaisa filtrs ir tīrs.
- Ja aizdedzes svece ir nefīra, notīriet to un pārbaudiat, vai atstātums starp elektrodiem ir pareizs; skatiet šeit: *Tehniskie dati lpp. 221*. (Att. 48)
- Ja nepieciešams, nomainiet aizdedzes sveci.

Degvielas sistēmas pārbaude

- Pārbaudiat degvielas tvertnes vāciņu un degvielas tvertnes vāciņa blīvi, lai pārļiecinātos, vai nav bojājumu.
- Pārbaudiat degvielas šļūtenes, lai pārbaudītu, vai nav noplūdes. Ja degvielas šļūtene ir bojāta, ļaujiet servisa pārstāvim to nomainīt.

Sajūga vada regulēšana

Ja šķiet, ka braukšana notiek lēni, ir jānoregulē sajūga vads.

- Grieziet regulēšanas skrūvi. (Att. 49)

Sajūga trose ir pareizi noregulēta, kad sajūga troses kronšteins ir izlīdzināts ar uzgriezni.

(Att. 50)

Pāravadāšana, glabāšana un utilizēšana

Transportēšana un glabāšana

- Attiecībā uz izstrādājuma un degvielas glabāšanu un transportēšanu pārļiecinieties, vai nav noplūdes vai tvaiku. Dziraksteles vai atklātas liesmas, ko rada, piemēram, elektroierīces vai tvaika katli, var izraisīt ugunsgrēku.
- Vienmēr izmantojiet apstiprinātas tvertnes degvielas glabāšanai un transportēšanai.

- Iztukšojiet degvielas tvertni, pirms novietojat izstrādājumu glabāšanai uz ilgāku laiku. Nododiet degvielu piemērojamā utilizēšanas vietā.
- Transportēšanas laikā droši nostipriniet izstrādājumu, lai novērstu bojājumus un negadījumus.
- Glabājiet izstrādājumu norobežotā vietā, lai novērstu to, ka tam var piekļūt bērni vai personas, kam tas nav atļauts.

- Glabājiet izstrādājumu sausā vietā, kurā temperatūra nepazeminās zem 0°C.
- Utilizējiet visas ķīmikālijas, piemēram, dzinēja eļļu vai degvielu, servisa centrā vai piemērojamā utilizācijas vietā.
- Kad izstrādājums vairs netiek izmantots, nosūtiet to Husqvarna izplatītājam vai nogādājiet to pārstrādes vietā.

Utilizēšana

- Ievērojiet vietējās pārstrādes prasības un piemērojamus noteikumus.

Tehniskie dati

Tehniskie dati

	KLIPPO LB 448S	KLIPPO LB 448SQ	KLIPPO LB 453S	KLIPPO LB 453SQ	KLIPPO LB 548SQe
Dzinējs					
Zīmols	Honda	Husqvarna	Honda	Husqvarna	Husqvarna
Modelis	GCVX-145	HS 166AP	GCVx-170	HS 166AP	HS 166AP
Dzinēja tips	Viencilindra, 4 taktu, pie- spiedu gaisa dzesēšana, OHV	Viencilindra, 4 taktu, pie- spiedu gaisa dzesēšana, OHV	Viencilindra, 4 taktu, pie- spiedu gaisa dzesēšana, OHV	Viencilindra, 4 taktu, pie- spiedu gaisa dzesēšana, OHV	Viencilindra, 4 taktu, pie- spiedu gaisa dzesēšana, OHV
Dzinēja tilpums, cm ³	145	166	166	166	166
Ātrums, apgr./min	2900	2900	2900	2900	2900
Dzinēja nomināljauda, kW ⁷⁶	2,7	2,75	3,3	2,75	2,75
Aizdedzes sistēma					
Aizdedzes svece	NGK BPR5ES	Husqvarna HQT-7	NGK BPR5ES	Husqvarna HQT-7	Husqvarna HQT-7
Atstātums starp elektrodiem, mm	0,7–0,8	0,7-0,8	0,7–0,8	0,7-0,8	0,7-0,8
Degvielas un eļļošanas sistēma					
Dzinēja eļļošanas veids	Šķaideļošana	Šķaideļošana	Šķaideļošana	Šķaideļošana	Šķaideļošana
Degvielas tvertnes tilpums, litri	0,9	1,5	0,9	1,5	1,5
Eļļas tvertnes tilpums, litri	0,5	0,5	0,55	0,5	0,5
Dzinēja eļļa ⁷⁷	Husqvarna SAE 30	Husqvarna SAE 30	Husqvarna SAE 30/SAE 10W-30	Husqvarna SAE 30/SAE 10W-30	Husqvarna SAE 30/SAE 10W-30
Svars					
Svars ar tukšu tvertni, kg	30,5	32,5	33	33,5	34,5

⁷⁶ Maksimāli pieļaujamā dzinēja jauda ir vidējā tipiskā ražošanas dzinēja neto jauda (pēc noteiktajiem apgr./min.) dzinēja modelim, kas mērīta pēc SAE standarta J1349/ISO1585. Vairākumam dzinēju šis lielums var atšķirties no šeit norādītā. Faktiskā izejas jauda dzinējam, kas uzstādīts gala izstrādājumam, būs atkarīga no darbības ātruma, vides apstākļiem un citiem lielumiem.

⁷⁷ Ja eļļu SAE-30 lieto, kad temperatūra ir zemāka par +5 °C, pastāv nepietiekamas dzinēja eļļošanas risks. Tas var izraisīt dzinēja bojājumus. Skatiet šeit: *Dzinēja eļļas maiņa lpp. 219* Informācija par zemu temperatūrai piemērotu eļļu.

	KLIPPO LB 448S	KLIPPO LB 448SQ	KLIPPO LB 453S	KLIPPO LB 453SQ	KLIPPO LB 548SQe
Trokšņa emisija ⁷⁸					
Skaņas jaudas līmenis, izmērītais dB (A)	90	93	91	94	92
Skaņas jaudas līmenis, garantētais L_{WA} dB (A)	91	93	94	95	93
Skaņas līmeņi ⁷⁹					
Skaņas spiediena līmenis pie operatora auss, dB (A)	77	79	78	81	79
Vibrācijas līmeņi, a_{hveq} ⁸⁰					
Rokturis, m/s^2	4,5	4,2	5,3	6,4	4,0
Griešanas aprīkojums					
Griešanas augstums, mm	30–60	30–60	30–60	30–60	30–60
Pļaušanas platums, cm	480	480	530	530	480
Asmens	Mulčēšanas — 48 cm	Mulčēšanas — 48 cm	Mulčēšanas — 53 cm	Mulčēšanas — 53 cm	Mulčēšanas — 48 cm
	5028813-10	5028813-10	5028814-10	5028814-10	5028813-10
Braukšana					
Ātrums, km/h	4,5	4,5	4,5	4,5	4,5

⁷⁸ Atbilstoši EK direktīvai 2000/14/EK trokšņa emisija apkārtņē ir mērīta kā akustiskā jauda (L_{WA}).

⁷⁹ Skaņas spiediena līmenis atbilstoši standartam ISO 5395. Sniegtajos datos par skaņas spiediena līmeni tipiskā statistiskā izkliede ir 1,2 dB(A) (standartnovirze).

⁸⁰ Vibrācijas līmenis atbilstoši ISO 5395. Sniegtajos datos par vibrācijas līmeni tipiska statistiskā izkliede ir 0,2 m/s^2 (standarta novirze).

Atbilstības deklarācija

ES atbilstības deklarācija

Mēs, **Husqvarna AB**, SE-561 82 Huskvarna, Zviedrija,
tālr. +46-36-146500, ar pilnu atbildību apliecinām, ka šis
izstrādājums:

Apraksts	Zāles plaujmašīna
Zīmols	Husqvarna
Tips/modelis	KLIPPO LB 448S, KLIPPO LB 453S, KLIPPO LB 448SQ, KLIPPO LB 453SQ, KLIPPO LB 548SQe
Identifikācija	Ar sērijas numuriem no 2022 un turpmākiem sērijas numuriem

pilnībā atbilst šādām ES direktīvām un noteikumiem:

Direktīva/regula	Apraksts
2006/42/EK	"par iekārtām"
2014/30/ES	par elektromagnētisko savietojamību
2000/14/EK	"par trokšņa emisiju vidē"
2011/65/ES	"par dažu bīstamu vielu izmantošanas ierobežošanu elektriskās un elektroniskās iekārtās"

un ir ievēroti zemāk norādītie saskaņotie standarti un/vai
tehniskie dati: EN ISO 5395-1:2013/A1:2018, EN ISO
5395-2:2013/A1:2016/A2:2017, EN ISO 14982:2009, EN
IEC 63000:2018.

Pilnvarotā iestāde: 0404, RISE SMP Svensk
Maskinprovning AB, Box 4053, SE-904 03 Umeå,
Sweden. ir apstiprinājusi atbilstību Eiropas Padomes
direktīvai 2000/14/EK, atbilstības izvērtēšanas kārtībai:
VI pielikums.

Lai iegūtu informāciju par trokšņa emisiju, skatiet šeit:
Tehniskie dati lpp. 221.

Huskvarna, 2023-02-07



Claes Losdal, nodaļas vadītājs/dārzkopības izstrādājumi,
Husqvarna AB

Atbildīgais par tehnisko dokumentāciju



Inhoud

Inleiding.....	224	Onderhoud.....	230
Veiligheid.....	225	Vervoer, opslag en verwerking.....	234
Montage.....	228	Technische gegevens.....	234
Werking.....	229	Verklaring van overeenstemming.....	237

Inleiding

Productbeschrijving

Het product is een roterende duwmaaier die BioClip® gebruikt om het gras te snijden tot meststof.

Productoverzicht

(Fig. 1)

1. Hendel / handgreep
2. Motorremhendel
3. Aandrijfhendel
4. Startkoordgreep
5. Oliedop
6. Riembescherming
7. Geluiddemper
8. Bougie
9. Riembescherming
10. Brandstoftank
11. Hendel voor de hoekverstelling van de handgreep
12. Trillingdempingssysteem
13. Afstelling koppelingskabel
14. Maaihoogethendel
15. Brandstofklep
16. Luchtfilter
17. Kap van maaidek
18. Veerring
19. Mesbout
20. Mes
21. Bladsteun
22. Mulchplug KLIPPO LB 448S, KLIPPO LB 448SQ, KLIPPO LB 548SQe
23. Bedieningshandleiding

Symbolen op het product

- (Fig. 2) **WAARSCHUWING:** Onzorgvuldig of onjuist gebruik kan leiden tot letsel of overlijden van de gebruiker of anderen.
- (Fig. 3) Lees de bedieningshandleiding zorgvuldig door en zorg dat u de instructies hebt begrepen voordat u het product gebruikt.
- (Fig. 4) Kijk uit voor weggeslingerde en afgeketste voorwerpen.

Gebruik

Gebruik het product om gras te maaien. Gebruik het product niet voor andere taken.

- (Fig. 5) Houd personen en dieren op veilige afstand van het werkgebied.
- (Fig. 6) Zet de motor uit en verwijder de ontstekingskabel voordat u reparaties of onderhoud uitvoert.
- (Fig. 7) **Waarschuwing:** Houd handen en voeten uit de buurt van draaiende onderdelen.
- (Fig. 8) **Waarschuwing:** Houd handen en voeten uit de buurt van het roterende mes.
- (Fig. 9) Dit product voldoet aan de geldende EG-richtlijnen.
- (Fig. 10) Dit product voldoet aan geldende VK-regelgeving.
- (Fig. 11) Het product voldoet aan de geldende richtlijnen van de Euraziatische Douane-unie. Alleen geldig voor KLIPPO LB 448S & KLIPPO LB 453S.
- (Fig. 12) Geluidsemisies naar het omgevingslabel volgens de richtlijnen en voorschriften van de EU en het VK en de wetgeving van Nieuw-Zuid-Wales "Protection of the Environment Operations (Noise Control) Regulation 2017". Het gegarandeerde geluidsvermogensniveau van het product staat vermeld in *Technische gegevens op pagina 234* en op het label.
- (Fig. 13) Scanbare code.

Let op: Andere symbolen/plaatjes op het product hebben betrekking op marktspecifieke wettelijke vereisten.

Sticker op het product, alleen voor Australië en Nieuw-Zeeland

(Fig. 14)

Houd handen en voeten uit de buurt van het roterende mes.

Euro V-emissies



WAARSCHUWING: De EU-typegoedkeuring van dit product vervalt als ongeoorloofde wijzigingen aan de motor aangebracht worden.

Productaansprakelijkheid

Zoals uiteengezet in de wet voor productaansprakelijkheid zijn wij niet aansprakelijk voor schade die door ons product wordt veroorzaakt, indien:

- het product niet goed is gerepareerd.
- het product is gerepareerd met onderdelen die niet van de fabrikant afkomstig zijn, of onderdelen die niet zijn goedgekeurd door de fabrikant.
- het product een accessoire bevat dat niet afkomstig is van de fabrikant of niet is goedgekeurd door de fabrikant.
- het product niet is gerepareerd door een erkend servicepunt of door een erkende autoriteit.

Veiligheid

Veiligheidsdefinities

Waarschuwingen, voorzorgsmaatregelen en opmerkingen worden gebruikt om te wijzen op belangrijke delen van de handleiding.



WAARSCHUWING: Wordt gebruikt om te wijzen op de kans op ernstig of fataal letsel voor de gebruiker of omstanders wanneer de instructies in de handleiding niet worden gevolgd.



OPGELET: Wordt gebruikt indien er een risico bestaat op schade aan het product en andere eigendommen of aan de omgeving wanneer de instructies in de handleiding niet worden gevolgd.

Let op: Geven verdere informatie die nodig is in een bepaalde situatie.

Algemene veiligheidsinstructies



WAARSCHUWING: Lees de volgende waarschuwingen voordat u het product gaat gebruiken.

- Dit product is gevaarlijk als het verkeerd wordt gebruikt, of als u niet voorzichtig bent. Letsel of overlijden kunnen het gevolg zijn als u de veiligheidsvoorschriften negeert.
- Dit product produceert tijdens bedrijf een elektromagnetisch veld. Dit veld kan onder bepaalde omstandigheden de werking van actieve of passieve medische implantaten verstoren. Om het risico op ernstig of dodelijk letsel te beperken, raden we personen met een medisch implantaat aan om contact op te nemen met hun arts en de fabrikant van het medische implantaat alvorens dit product te gaan gebruiken.

- Wees altijd voorzichtig en gebruik uw gezond verstand. Als u niet zeker weet hoe u het product moet bedienen in een bepaalde situatie, stop dan en informeer bij uw Husqvarna dealer voordat u verdergaat.
- Denk erom dat de bediener of gebruiker verantwoordelijk is voor ongelukken of beschadigingen aan eigendommen.
- Houd het product schoon. Zorg ervoor dat u de aanduidingen en stickers duidelijk kunt lezen.
- Laat niemand het product gebruiken tenzij u zeker weet dat deze de inhoud van de gebruikershandleiding hebben gelezen en begrepen.
- Laat het product niet door een kind bedienen.
- Houd kinderen uit het werkgebied. Er moet te allen tijde een verantwoordelijke volwassene aanwezig zijn.
- Laat de machine niet bedienen door personen die de instructies niet hebben gelezen.
- Houd personen met een lichamelijke of geestelijke beperking die het product gebruiken, altijd in de gaten. Er moet te allen tijde een verantwoordelijke volwassene aanwezig zijn.
- Gebruik het product nooit als u moe of ziek bent, of onder invloed van alcohol, drugs of medicijnen verkeert. Dit heeft een negatief effect op uw visie, alertheid, coördinatie en oordeel.
- Gebruik geen product dat is beschadigd of niet correct werkt.
- Wijzig dit product niet of gebruik het niet als het door anderen kan zijn gewijzigd.
- Wijzig de afstelling voor de motortoerentalregeling niet.

Veiligheid van het werkgebied



WAARSCHUWING: Lees de volgende waarschuwingen voordat u het product gaat gebruiken.

- Verwijder objecten zoals takken, twijgen en stenen uit het werkgebied voordat u het product gaat gebruiken.
- Objecten die tegen de snijuitrusting aankomen, kunnen worden uitgeworpen en schade veroorzaken aan personen en objecten. Houd omstanders en dieren op veilige afstand van het product.
- Gebruik het product nooit in slechte weersomstandigheden zoals mist, regen, sterke wind, hevige kou of als er gevaar is voor blikseminslag. Het gebruik van dit product bij slecht weer of op vochtige of natte plaatsen is vermoeiend. Slecht weer kan leiden tot gevaarlijke situaties zoals gladde ondergronden.
- Kijk uit voor personen, objecten en situaties die een veilig gebruik van het product kunnen verhinderen.
- Kijk uit voor obstakels zoals wortels, stenen, takjes, kuilen en greppels. Obstakels kunnen moeilijk te zien zijn door hoog gras.
- Gras maaien op hellingen kan gevaarlijk zijn. Gebruik het product niet op een helling van meer dan 15°.
- Gebruik het product dwars over het oppervlak van hellingen. Ga niet van boven naar beneden.
- Wees voorzichtig wanneer u in de buurt komt van onoverzichtelijke bochten en voorwerpen die uw zicht kunnen belemmeren.

Werkveiligheid



WAARSCHUWING: Lees de volgende waarschuwingen voordat u het product gaat gebruiken.

- Gebruik dit product alleen om gazons te maaien. Het is niet toegestaan om het product voor andere doeleinden te gebruiken.
- Maak altijd gebruik van persoonlijke beschermingsmiddelen. Zie *Persoonlijke beschermingsuitrusting* op pagina 226.
- Zorg ervoor dat u weet hoe u de motor in een noodsituatie snel kunt stoppen.
- Start de motor nooit in een gesloten ruimte of in de buurt van brandbaar materiaal. De uitlaatdampen van de motor zijn heet en kunnen vonken bevatten die brand kunnen veroorzaken.
- Gebruik dit product alleen als het mes en alle afdekkingen correct zijn bevestigd. Een verkeerd bevestigd mes kan losraken en letsel veroorzaken.
- Zorg ervoor dat het mes geen voorwerpen raakt zoals stenen en wortels. Hierdoor kan het mes beschadigen en de motoras verbuigen. Een gebogen as veroorzaakt zware trillingen en een zeer groot risico dat het mes losraakt.
- Stop het product onmiddellijk als het mes een voorwerp wordt geraakt of als zich trillingen voordoen. Ontkoppel de ontstekingskabel van de bougie. Controleer het product op schade. Repareer

schade of laat een erkende servicewerkplaats de reparatie uitvoeren.

- Bevestig de motorremhendel nooit permanent aan de handgreep wanneer de motor wordt gestart.
- Plaats het product op een stabiele, vlakke ondergrond en start het. Zorg ervoor dat het mes niet in aanraking komt met de grond of andere voorwerpen.
- Blijf altijd achter het product wanneer u het gebruikt.
- Zorg dat alle wielen op de grond blijven en houd 2 handen op de handgreep tijdens de bediening van het product. Houd uw handen en voeten uit de buurt van de roterende messen.
- Kantel het product niet terwijl de motor draait.
- Wees voorzichtig wanneer u het product naar achteren trekt.
- Til het product nooit op terwijl de motor draait. Als het product toch moet worden opgetild, zet dan eerst de motor uit en ontkoppel de ontstekingskabel van de bougie.
- Loop niet achteruit wanneer u het product bedient.
- Stop de motor als u in gebieden zonder gras komt, bijvoorbeeld op paden van grind, stenen en asfalt.
- Loop niet hard met het product wanneer de motor is ingeschakeld. Loop altijd rustig wanneer u het product bedient.
- Zet de motor uit voordat u de maaihoogte wijzigt. Voer nooit afstellingen uit terwijl de motor draait.
- Houd altijd toezicht op het product wanneer de motor draait. Schakel de motor uit en zorg ervoor dat de snijuitrusting niet draait.

Veiligheidsinstructies voor bediening

Persoonlijke beschermingsuitrusting



WAARSCHUWING: Lees de volgende waarschuwingen voordat u het product gaat gebruiken.

- Persoonlijke beschermingsuitrusting kunnen niet alle risico's uitsluiten maar kunnen de ernst van eventueel letsel helpen beperken. Vraag uw dealer u te helpen bij het kiezen van de juiste beschermingsmiddelen.
- Gebruik gehoorbescherming als het geluidsniveau hoger is dan 85 dB.
- Gebruik zware antisliplaarzen of -schoenen. Draag geen open schoenen en loop niet op blote voeten.
- Draag een lange broek van stevige stof.
- Draag zo nodig beschermende handschoenen, bijvoorbeeld bij het monteren, inspecteren of reinigen van de snijuitrusting.

Veiligheidsvoorzieningen op het product



WAARSCHUWING: Lees de volgende waarschuwingen voordat u het product gaat gebruiken.

- Gebruik geen producten met veiligheidsvoorzieningen die beschadigd zijn of niet correct werken.
- Controleer de veiligheidsvoorzieningen regelmatig op een juiste werking. Als de veiligheidsvoorzieningen beschadigd zijn of niet goed werken, neem dan contact op met uw Husqvarna servicewerkplaats.
- Voer geen aanpassingen uit aan veiligheidsvoorzieningen.

De kap van het maaidek controleren

De kap van het maaidek vermindert trillingen in het product en vermindert het risico op letsel door het mes.

- Controleer de kap van het maaidek om te zien of er geen schade is, zoals barsten.

De riembescherming controleren

De riembescherming vermindert het risico op letsel en zorgt ervoor dat een gebroken aandrijfriem niet wordt weggeslingerd.

- Controleer of de riembescherming niet is beschadigd en of deze goed is bevestigd. (Fig. 15)

Remhendel motor

De motorrem schakelt de motor uit. Als de remhendel van de motor wordt losgelaten, stopt de motor.

Voor een inspectie van de motorrem start u de motor en laat de motorremhendel los. Als de motor niet binnen 3 seconden stopt, laat u een erkende Husqvarna servicewerkplaats de motorrem afstellen.

(Fig. 16)

Trillingsdempingssysteem controleren



WAARSCHUWING: Overmatige blootstelling aan trillingen kan bloedvat- en zenuwbeschadigingen veroorzaken bij personen met een verminderde bloedcirculatie. Consulteer een arts wanneer u symptomen heeft die wijzen op te grote blootstelling aan trillingen. Dergelijke symptomen zijn slapende vingers e.d., geen gevoel, "kriebelend" gevoel, "speldenprikken", pijn, geen of weinig kracht, huidverkleuringen of veranderingen van het huidoppervlak. Deze symptomen worden meestal waargenomen in de vingers, handen of polsen.

Het trillingsdempingssysteem vermindert trillingen in de hendel tijdens bedrijf.

De stalen buis in de handgreep en de kap van het maaidek verminderen trillingen. KLIPPO LB 548SQe heeft ook 4 trillingsdempers die aan de handgreep zijn bevestigd.

- Controleer de handgreep en de trillingsdempers om er zeker van te zijn dat ze niet zijn beschadigd. (Fig. 17)

Messteun

De messteun vermindert het risico dat de motoras buigt. Als het mes een object raakt, beweegt het mes tegen de messteun. De beweging veroorzaakt slijtage op het oppervlak van de messteun. De slijtage toont aan dat de bescherming van de motoras correct functioneert.

Geluiddemper

De uitlaatdemper is bedoeld om het geluidsniveau zo laag mogelijk te houden en om de uitlaatgassen weg te voeren van de gebruiker.

Gebruik het product niet als de geluiddemper ontbreekt of beschadigd is. Een beschadigde geluiddemper laat het geluidsniveau stijgen en vergroot het risico van brand.



WAARSCHUWING: De uitlaatdemper wordt erg heet tijdens en na gebruik en wanneer de motor draait bij stationair toerental. Wees voorzichtig in de buurt van brandbare materialen en/of dampen om brand te voorkomen.

Geluiddemper controleren

- Inspecteer de uitlaatdemper regelmatig om te verifiëren of die goed vastzit en niet beschadigd is.

Brandstofveiligheid



WAARSCHUWING: Lees de volgende waarschuwingen voordat u het product gaat gebruiken.

- Start het product niet als er brandstof of motorolie op het product aanwezig is. Verwijder de ongewenste brandstof/olie en laat het product drogen.
- Als u brandstof op uw kleding morst, trek dan direct andere kleding aan.
- Zorg dat er geen brandstof op uw lichaam terecht komt, dit kan letsel veroorzaken. Als er brandstof op uw lichaam terecht komt, verwijder deze dan met water en zeep.
- Start het product niet als er sprake is van een motorlekkage. Controleer de motor regelmatig op lekkage.
- Wees voorzichtig met brandstof. Brandstof is licht ontvlambaar en de dampen zijn explosief. Ze kunnen letsel veroorzaken of leiden tot de dood.

- Adem geen brandstofdampen in, dit kan letsel veroorzaken. Zorg voor voldoende ventilatie.
- Rook niet in de buurt van de brandstof of de motor.
- Plaats geen warme voorwerpen in de buurt van de brandstof of de motor.
- Vul geen brandstof bij terwijl de motor is ingeschakeld.
- Zorg ervoor dat de motor koud is wanneer u brandstof bijvult.
- Draai de tankdop langzaam open en laat de druk voorzichtig ontsnappen voordat u brandstof bijvult.
- Vul geen brandstof voor de motor bij in een afgesloten ruimte. Onvoldoende ventilatie kan leiden tot ernstig letsel of de dood door verstikking of het inademen van koolmonoxide.
- Draai de tankdop volledig aan. Als de tankdop niet volledig is aangedraaid, bestaat een risico op brand.
- Verplaats het product minstens 3 m van de plaats waar u de brandstoftank hebt gevuld, voordat u het product start.
- Vul de brandstoftank niet volledig. Door hitte zet de brandstof uit. Zorg ervoor dat er ruimte overblijft aan de bovenkant van de brandstoftank.
- Uitlaatgassen van de motor bevatten koolmonoxide, een geurloos, giftig en uiterst gevaarlijk gas. Start de motor nooit binnenshuis of in gesloten ruimten.
- Voordat u het onderhoud van het product uitvoert, zet u de motor uit en verwijdert u de ontstekingskabel van de bougie.
- Draag beschermende handschoenen wanneer u onderhoud aan de snijuitrusting uitvoert. Het mes is zeer scherp en kan gemakkelijk snijwonden veroorzaken.
- Accessoires en wijzigingen aan het product die niet zijn goedgekeurd door de fabrikant, kunnen leiden tot ernstig letsel of overlijden. Breng geen wijzigingen aan het product aan. Gebruik alleen accessoires die zijn goedgekeurd door de fabrikant.
- Als het onderhoud niet correct en regelmatig wordt uitgevoerd, neemt de kans op letsel of schade aan het product toe.
- Voer alleen onderhoud uit zoals beschreven in deze gebruikershandleiding. Alle overige onderhoudswerkzaamheden moeten worden uitgevoerd door een erkende Husqvarna servicewerkplaats.
- Laat een erkende Husqvarna servicewerkplaats regelmatig onderhoud aan het product uitvoeren.
- Vervang beschadigde, versleten of defecte onderdelen.

Veiligheidsinstructies voor onderhoud



WAARSCHUWING: Lees de volgende waarschuwingen voordat u het product gaat gebruiken.

Montage

Inleiding



WAARSCHUWING: Voordat u het product gaat monteren, dient u het hoofdstuk over veiligheid te lezen en hebben begrepen.



WAARSCHUWING: Verwijder de bougiekabel van de bougie voordat u het product monteert.

Hendel monteren en afstellen

1. Verwijder de moer en de ring van de plaat op de bovenste hendel.
2. Zet de bovenste hendel op zijn plaats op de onderste hendel.



OPGELET: Zorg ervoor dat de draden niet bekneld raken of beschadigd raken.

3. Bevestig de ring en de moer van de hendel. (Fig. 18)
4. Draai de hendel naar de zijkant voor een goede werkstand wanneer u het product in de buurt van een muur bedient. (Fig. 19)
5. Draai aan de afstelwielen op het chassis om de hendel verticaal af te stellen. (Fig. 20)

De mulchplug monteren (KLIPPO LB 448S, KLIPPO LB 448SQ, KLIPPO LB 548SQe)

1. Kantel het product naar achteren met de bougie naar boven.
2. Plaats de pennen van de mulchplug in de gaten vanaf de binnenkant van de kap van het maaidek. (Fig. 21)
3. Bevestig de schroeven voor de mulchplug vanaf de buitenkant van de kap van het maaidek. (Fig. 22)

Werking

Inleiding



WAARSCHUWING: Voordat u het product gaat gebruiken, dient u het hoofdstuk over veiligheid te lezen en hebben begrepen.

Husqvarna Connect

Husqvarna Connect is een gratis app voor uw mobiele apparaat. De Husqvarna Connect-app biedt uitgebreide functies voor uw Husqvarna-product:

- Uitgebreide productinformatie.
- Informatie over, en hulp bij, onderdelen en onderhoud van uw product.

Husqvarna Connect gebruiken

1. Download de Husqvarna Connect-app op uw mobiele apparaat.
2. Registreer in de Husqvarna Connect-app.
3. Volg de instructies in de Husqvarna Connect-app om verbinding te maken met het product en dit te registreren.

Voordat u het product gaat bedienen

1. Lees de gebruikershandleiding zorgvuldig door en zorg dat u de instructies hebt begrepen.
2. Controleer de snijuitrusting om te zien of deze correct is gemonteerd en afgesteld. Zie *Snijuitrusting controleren op pagina 231*.
3. Vul de brandstoftank. Zie *Brandstof bijvullen op pagina 229*.
4. Vul de olietank en controleer het oliepeil. Zie *Oliepeil controleren op pagina 232*.

Brandstof bijvullen

Gebruik emissiearme of alkylaatzbenzine, indien beschikbaar. Als er geen emissiearme of alkylaatzbenzine beschikbaar is, gebruik dan een loodvrije benzine van goede kwaliteit, of loodhoudende benzine met een octaangetal dat niet lager is dan 90.



OPGELET: Gebruik geen benzine met een octaangetal lager dan 90 RON (87 AKI). Dit kan schade aan het product veroorzaken.

1. Draai de brandstoftankdop langzaam los om de druk te laten ontsnappen.
2. Vul langzaam met een benzinejerrycan. Als u brandstof morst, verwijder deze dan met een doek en laat de resterende brandstof opdrogen. (Fig. 23)

3. Maak het gebied rondom de brandstoftankdop goed schoon.
4. Draai de tankdop volledig aan. Als de tankdop niet volledig is aangedraaid, bestaat een risico op brand.
5. Verplaats het product minstens 3 m (10 ft) van de plaats waar u de brandstoftank hebt gevuld, voordat u het product start.

Maaihoogte afstellen

De maaihoogte is op 6 niveaus verstelbaar.

1. Breng de maaihoogtehendel naar voren om de maaihoogte te verhogen.
2. Breng de maaihoogtehendel naar achteren om de maaihoogte te verlagen.



OPGELET: Stel de maaihoogte niet te laag in. Als het oppervlak van het gazon niet waterpas is, kunnen de messen de grond raken.

Product starten

1. Controleer of de ontstekingskabel is verbonden met de bougie.
2. Open de brandstofklep. (Fig. 24)
3. Blijf achter het product.
4. Houd de motorremhendel tegen de handgreep. (Fig. 25)
5. Houd het startkoord in uw rechterhand.
6. Trek het startkoord langzaam naar buiten totdat u enige weerstand voelt.
7. Krachtig trekken om de motor te starten.



WAARSCHUWING: Wikkel het startkoord niet rond uw hand.



OPGELET: Trek het startkoord niet helemaal uit. Laat de startkoordhendel niet los wanneer het startkoord is uitgetrokken.

De aandrijving op de wielen gebruiken

- Duw de aandrijfhendel naar beneden. (Fig. 26)
- Voordat u het product naar achteren trekt, moet u de aandrijving uitschakelen en het product ongeveer 10cm naar voren duwen.
- Laat de motorremhendel iets los om de aandrijving uit te schakelen, bijvoorbeeld wanneer u bij een obstakel komt.

Product stoppen

- Om alleen de aandrijving te stoppen, laat u de motorremhendel iets los.
- Om de motor te stoppen, laat u de motorremhendel helemaal los.
- Sluit de brandstofklep. (Fig. 27)

Een goed resultaat verkrijgen

- Gebruik altijd een scherp mes. Een bot mes geeft een onregelmatig resultaat en het snijvlak van het gras wordt geel. Een scherp mes verbruikt ook minder energie dan een bot mes.

- Maai nooit meer dan 1/3e van de lengte van het gras af. Maai eerst met een hoog ingestelde maaihoogte. Controleer het resultaat en verlaag de snijhoogte tot een geschikt niveau. Als het gras echt lang is, rijd dan langzaam en maai zo nodig 2 keer.
- Maai elke keer in een andere richting, om het ontstaan van strepen in het gazon te voorkomen.
- Houd de kap van het maaidek schoon. Door ophoping van gras en vuil aan de binnenkant van de kap van het maaidek kunnen de maairesultaten verminderen. Zie *Product aan de buitenkant reinigen op pagina 231*.

Onderhoud

Inleiding



WAARSCHUWING: Voordat u onderhoud gaat uitvoeren, dient u het hoofdstuk over veiligheid te lezen en hebben begrepen.

Voor alle onderhouds- en reparatiewerkzaamheden aan het product is speciale training nodig. Wij garanderen de beschikbaarheid van professionele reparaties en onderhoud. Indien uw dealer geen servicewerkplaats heeft, vraag hem dan naar de dichtstbijzijnde servicewerkplaats.

Zie www.husqvarna.com voor meer gedetailleerde informatie.

Onderhoudsschema

De onderhoudsintervallen worden berekend op basis van het dagelijks gebruik van het product. De intervallen veranderen als het product niet dagelijks wordt gebruikt.

Voor onderhoud dat is gemarkeerd met *: zie de instructies in *Veiligheidsvoorzieningen op het product op pagina 227*.

Onderhoud	Elke dag	Wekelijks	Maandelijks
Algemene inspectie uitvoeren	X		
Motoroliepeil controleren	X		
Product reinigen	X		
Reinig het luchtfilter	X		
Snijuitrusting controleren	X		
Kap van het maaidek controleren*	X		
Motorremhendel controleren*	X		
Geluiddemper controleren*		X	
Bougie controleren		X	
Aandrijfriem op beschadigingen controleren			X
Tandwielhuis reinigen			X
Voor KLIPPO LB 448S, KLIPPO LB 453S. Olie verversen (de eerste keer na 5 uur gebruik, vervolgens na elke 25 uur gebruik en jaarlijks)			X
Voor KLIPPO LB 448SQ, KLIPPO LB 453SQ, KLIPPO LB 548SQe. Olie verversen (de eerste keer na 5 uur gebruik, vervolgens na elke 100 uur gebruik en jaarlijks)			X
Vervang het luchtfilter			X

Onderhoud	Elke dag	Wekelijks	Maandelijks
Brandstofsysteem controleren			X
Aandrijving controleren en afstellen (koppelingskabel)			X

Algemene inspectie uitvoeren

- Controleer of alle moeren en schroeven op het product goed zijn vastgedraaid.

Product aan de buitenkant reinigen

- Gebruik een borstel om bladeren, gras en vuil te verwijderen.
- Zorg dat de luchtinlaat op de bovenkant van de motor niet is geblokkeerd.
- Reinig het product niet met een hogedrukspuit.
- Als u water gebruikt om het product te reinigen, spuit dan geen water rechtstreeks op de motor.

Binnenoppervlak van de kap van het maaidek reinigen

- Plaats het product op zijn kant met de demper naar beneden.



OPGELET: Als het product met het luchtfilter naar beneden wordt geplaatst, kan de motor beschadigd raken.

- Spuit de binnenkant van het maaidek schoon met water.

De aandrijfriem controleren en het tandwielhuis reinigen

- Verwijder de 4 schroeven van de riembescherming en verwijder de riembescherming. (Fig. 28)
- Controleer de aandrijfriem en de poelie op beschadigingen.
- Verwijder bladeren, gras en vuil van het tandwielhuis met behulp van een borstel. (Fig. 29)

De aandrijfriem vervangen en afstellen

- Verwijder de 4 schroeven van de riembescherming en verwijder de riembescherming. (Fig. 28)
- Plaats een platte schroevendraaier tussen de naafdop en het wiel op het rechter voorwiel van het product.
- Draai de schroevendraaier voorzichtig om de naafdop te verwijderen.
- Verwijder de wielbout en verwijder het wiel. (Fig. 30)
- Haal de aandrijfriem van de riempoelies.
- Controleer of de riempoelies eenvoudig bewegen op de as.
- Spuit indien nodig kruipolie tussen en achter de riempoelies en smeer de as.

- Breng een nieuwe aandrijfriem aan en bevestig deze correct bij het kogellager voordat u de aandrijfriem afstelt. (Fig. 31)
- Beweeg het kogellager omhoog of omlaag om de aandrijfriem af te stellen. (Fig. 32)

Let op: Een nieuwe aandrijfriem wordt langer na gebruik. Stel de aandrijfriem na enkele bedrijfsuren opnieuw af.

- Bevestig de riembescherming.
- Gebruik het product om te controleren of de aandrijfriem correct is geïnstalleerd en afgesteld.

De middelste riem vervangen en afstellen

- Verwijder het mes.

Let op: Deze stap is niet nodig wanneer u alleen de middelste riem afstelt.

- Draai de stelschroeven enkele slagen los, maar verwijder ze niet. (Fig. 33)
- Vervang de middelste riem en draai de stelschroeven iets vast.

Let op: Deze stap is niet nodig wanneer u alleen de middelste riem afstelt.

- Beweeg het tandwiel naar voren of naar achteren om de middelste riem af te stellen. (Fig. 34)
- Gebruik een veerunster om de spanning van de middelste band te bepalen. De riem heeft de juiste spanning wanneer hij in het midden 6-10 mm kan bewegen. Dat is gelijk aan een trekkracht van 3 kg. (Fig. 35)
- Draai de stelschroeven volledig vast met een koppel van 3 Nm.
- Gebruik het product om te controleren of de aandrijfriem correct is geïnstalleerd en afgesteld.

Snijuitrusting controleren



WAARSCHUWING: Verwijder de ontstekingskabel van de bougie om te voorkomen dat de motor per ongeluk wordt gestart.



WAARSCHUWING: Draag beschermende handschoenen wanneer u onderhoud aan de snijuitrusting uitvoert. Het

mes is zeer scherp en kan gemakkelijk snijwonden veroorzaken.

1. Controleer de snijuitrusting op beschadiging of scheuren. Vervang beschadigde snijuitrusting altijd.
2. Kijk naar het mes om te zien of dit is beschadigd of bot is.

Let op: Het mes moet na het slijpen worden gebalanceerd. Laat het slijpen, vervangen en balanceren door een servicecentrum uitvoeren. Als u een obstakel raakt waardoor het product stopt, vervang dan het beschadigde mes. Laat het servicecentrum beoordelen of het mes kan worden geslepen of moet worden vervangen.

Mes vervangen

1. Zet het mes vast met een houten blok. (Fig. 36)
2. Verwijder de mesbout, de veeringen en het mes. (Fig. 37)
3. Controleer de messteun en de mesbout op beschadigingen.
 - a) Als u het mes of de messteun vervangt, vervang dan ook de mesbout, de veering en de wrijvingsring.
4. Controleer de motoras om te controleren of deze niet is verbogen.
5. Wanneer u het nieuwe mes bevestigt, zorg er dan voor dat de gebogen uiteinden naar de kap van het maaidek zijn gericht. (Fig. 38)
6. Monteer de wrijvingsring en het mes tegen de messteun. (Fig. 39)
7. Controleer of het mes is uitgelijnd met het midden van de motoras. (Fig. 40)
8. Zet het mes vast met een houten blok. (Fig. 41)
9. Bevestig de veering en draai de bout vast met een aanhaalmoment van 80 Nm. (Fig. 42)
10. Draai het mes met de hand rond en controleer of het vrij draait.



WAARSCHUWING: Draag beschermende handschoenen. Het mes is zeer scherp en kan gemakkelijk snijwonden veroorzaken.

11. Start het product om het mes te testen. Als het mes niet goed is bevestigd, zijn er trillingen in het product of is het maairesultaat niet goed.

Oliepeil controleren



OPGELET: Een te laag oliepeil kan ernstige schade aan de motor veroorzaken. Voer een controle van het oliepeil uit voordat u het product start.

1. Zet het product op een vlakke ondergrond.
2. Verwijder de olietankdop met de bijgevoegde peilstok.
3. Veeg de olie van de peilstok.
4. Steek de peilstok volledig in de olietank. Draai de olietankdop vast om een goed beeld van het oliepeil te krijgen.
5. Verwijder de peilstok.
6. Controleer het oliepeil op de peilstok.
7. Als het oliepeil laag is, vult u bij met motorolie en controleert u het oliepeil opnieuw.

(Fig. 43)

Let op: Gebruik een trechter om morsen te voorkomen.

De motorolie verversen



WAARSCHUWING: Motorolie is nog erg heet direct nadat de motor is uitgezet. Laat de motor afkoelen voordat u de motorolie aftapt. Als u motorolie morst op uw huid, was die dan af met water en zeep.

(Fig. 44)

1. Verwijder de ontstekingskabel van de bougie.
2. Verwijder de olietankdop.
3. Tap de motorolie af.
 - a) Voor modellen met een olieaftapplug: Plaats een opvangbak onder de olieaftapplug om de motorolie in op te vangen.
 - b) Voor modellen zonder olieaftapplug of wanneer het niet mogelijk is om een opvangbak onder de olieaftapplug te plaatsen: Gebruik een oliepomp (accessoire) om de motorolie uit de olietank af te tappen.
4. Vul bij met nieuwe motorolie van het type dat wordt aanbevolen in *Technische gegevens op pagina 234*.
5. Controleer het oliepeil. Zie *Oliepeil controleren op pagina 232*.

Luchtfilter

Let op: Een luchtfilter dat lange tijd is gebruikt, kan niet volledig worden gereinigd. Vervang het luchtfilter regelmatig. Vervang een beschadigd luchtfilter altijd.

Het luchtfilter verwijderen en monteren (KLIPPO LB 488SQ, KLIPPO LB 453SQ, KLIPPO LB 548Qe)



WAARSCHUWING: Draag veiligheidshandschoenen.

1. Duw de klemmen op het luchtfilterdeksel.
2. Verwijder voorzichtig het luchtfilterdeksel (A) van de motor.
3. Verwijder het luchtfilter (B) en het schuimfilter (C). (Fig. 45)
4. Controleer het luchtfilter op beschadigingen. Vervang een beschadigd luchtfilter.
5. Reinig en controleer het luchtfilter. Zie *Het luchtfilter reinigen (KLIPPO LB 448SQ, KLIPPO LB 453SQ, KLIPPO LB 548Qe)* op pagina 233.
6. Monteer in omgekeerde volgorde van verwijderen.

Het luchtfilter reinigen (KLIPPO LB 448SQ, KLIPPO LB 453SQ, KLIPPO LB 548Qe)



OPGELET: Laat de motor niet draaien zonder dat er een luchtfilter is gemonteerd of wanneer het luchtfilter vervuild is.



OPGELET: Vervang het luchtfilter als het niet volledig kan worden gereinigd of als het is beschadigd. Een beschadigd luchtfilter veroorzaakt schade aan de motor.

1. Druk op de vergrendelingslippen (A), verwijder het luchtfilterdeksel (B) en verwijder het luchtfilter (C). (Fig. 46)
2. Klop het luchtfilter tegen een hard oppervlak of blaas perslucht door het luchtfilter vanaf de schone zijde van het luchtfilter.



OPGELET: Gebruik geen borstel om vuil te verwijderen, omdat dit het vuil in het luchtfilter duwt.

3. Reinig de luchtfilterhouder (D) en het luchtfilterdeksel met een vochtige doek.



OPGELET: Zorg ervoor dat er geen vuil in het luchtkanaal (E) terechtkomt.

4. Breng het luchtfilter aan. Controleer of het luchtfilter de luchtfilterhouder volledig afsluit.
5. Breng het luchtfilterdeksel aan, begin met de lippen aan de onderkant.

Het luchtfilter reinigen (KLIPPO LB 448S, KLIPPO LB 453S)



OPGELET: Laat de motor niet draaien zonder dat er een luchtfilter is gemonteerd of wanneer het luchtfilter vervuild is.



OPGELET: Vervang het luchtfilter als het niet volledig kan worden gereinigd of als het is beschadigd. Een beschadigd luchtfilter veroorzaakt schade aan de motor.

1. Druk op de vergrendelingslippen (A), verwijder het luchtfilterdeksel (B) en verwijder het luchtfilter (C). (Fig. 47)
2. Klop het luchtfilter tegen een hard oppervlak of blaas perslucht door het luchtfilter vanaf de schone zijde van het luchtfilter.



OPGELET: Gebruik geen borstel om vuil te verwijderen, omdat dit het vuil in het luchtfilter duwt.

3. Reinig de luchtfilterhouder (D) en het luchtfilterdeksel met een vochtige doek.



OPGELET: Zorg ervoor dat er geen vuil in het luchtkanaal (E) terechtkomt.

4. Breng het luchtfilter aan. Controleer of het luchtfilter de luchtfilterhouder volledig afsluit.
5. Breng het luchtfilterdeksel aan, begin met de lippen aan de onderkant.

Bougie controleren



OPGELET: Gebruik altijd het juiste bougietype. Een verkeerd type bougie kan schade aan het product veroorzaken.

- Controleer de bougie als de motor weinig vermogen heeft, niet gemakkelijk te starten is of stationair niet goed draait.
- Volg deze instructies om het risico van ongewenst materiaal op de elektroden van de bougie te beperken:
 - a) Zorg ervoor dat het stationair toerental altijd juist is afgesteld.
 - b) Zorg dat het brandstofmengsel correct is.
 - c) Zorg dat het luchtfilter schoon is.
- Maak de bougie schoon als deze vuil is en controleer of de afstand tussen de elektroden correct is, zie *Technische gegevens op pagina 234*. (Fig. 48)
- Vervang de bougie indien nodig.

Brandstofsysteem controleren

- Controleer de brandstoftankdop en de afdichting van de brandstoftankdop om te zien of er geen schade is.
- Controleer de brandstofslang om te controleren of er geen lekken zijn. Als de brandstofslang beschadigd is, laat deze dan door een servicemonteur vervangen.

Koppelingskabel afstellen

Als de aandrijving traag lijkt, moet de koppelingskabel worden afgesteld.

- Draai de stelschroef. (Fig. 49)

De koppelingskabel is correct afgesteld wanneer de koppelingskabelsteun is uitgelijnd met de moer.

(Fig. 50)

Vervoer, opslag en verwerking

Transport en opslag

- Controleer voor opslag en vervoer van het product en de brandstof of er geen lekken of dampen zijn. Vonken of open vuur, bijvoorbeeld van elektrische apparaten of ketels, kunnen tot brand leiden.
- Gebruik altijd goedgekeurde containers voor opslag en transport van brandstof.
- Leeg de brandstoftank voordat u het product voor langere tijd opslaat. De brandstof via een geschikte verwijderingslocatie afvoeren
- Zet het product tijdens het vervoer veilig vast om schade en ongevallen te voorkomen.
- Bewaar het product in een afgesloten ruimte om toegang door kinderen of onbevoegde personen te verhinderen.

- Bewaar het product in een droge en vorstvrije ruimte.

Afvoeren

- Neem de plaatselijk geldende wet- en regelgeving voor recycling in acht.
- Voer alle chemicaliën, zoals olie of brandstof, af via een servicecentrum of een geschikte verwijderingslocatie.
- Wanneer het product niet langer in gebruik is, stuur het dan naar een Husqvarna dealer of voer het af via een recyclingslocatie.

Technische gegevens

Technische gegevens

	KLIPPO LB 448S	KLIPPO LB 448SQ	KLIPPO LB 453S	KLIPPO LB 453SQ	KLIPPO LB 548SQe
Motor					
Merk	Honda	Husqvarna	Honda	Husqvarna	Husqvarna
Model	GCVX-145	HS 166AP	GCVx-170	HS 166AP	HS 166AP
Motortype	Enkelvoudige cilinder, 4-takt, geforceerde luchtkoeling, OHV	Enkelvoudige cilinder, 4-takt, geforceerde luchtkoeling, OHV	Enkelvoudige cilinder, 4-takt, geforceerde luchtkoeling, OHV	Enkelvoudige cilinder, 4-takt, geforceerde luchtkoeling, OHV	Enkelvoudige cilinder, 4-takt, geforceerde luchtkoeling, OHV
Cilinderinhoud, cm ³	145	166	166	166	166
Toerental, tpm	2900	2900	2900	2900	2900

	KLIPPO LB 448S	KLIPPO LB 448SQ	KLIPPO LB 453S	KLIPPO LB 453SQ	KLIPPO LB 548SQe
Nominaal motorvermogen, kW ⁸¹	2,7	2,75	3,3	2,75	2,75
Ontstekingsysteem					
Bougie	NGK BPR5ES	Husqvarna HQT-7	NGK BPR5ES	Husqvarna HQT-7	Husqvarna HQT-7
Elektrodenafstand, mm	0,7–0,8	0,7-0,8	0,7–0,8	0,7-0,8	0,7-0,8
Brandstof-/smeersysteem					
Type motorsmeermiddel	Spatten	Spatten	Spatten	Spatten	Spatten
Inhoud brandstoftank, liter	0,9	1,5	0,9	1,5	1,5
Inhoud olietank, liter	0,5	0,5	0,55	0,5	0,5
Motorolie ⁸²	Husqvarna SAE 30	Husqvarna SAE 30	Husqvarna SAE 30/SAE 10W-30	Husqvarna SAE 30/SAE 10W-30	Husqvarna SAE 30/SAE 10W-30
Gewicht					
Met lege tanks, kg	30,5	32,5	33	33,5	34,5
Geluidsemissies⁸³					
Geluidsvermogeniveau, gemeten dB(A)	90	93	91	94	92
Geluidsvermogensniveau, gegarandeerd L _{WA} dB (A)	91	93	94	95	93
Geluidsniveaus⁸⁴					
Geluidsdruk niveau bij het oor van de gebruiker, dB (A)	77	79	78	81	79
Trillingsniveau, a_{hveq}⁸⁵					
Hendel, m/s ²	4,5	4,2	5,3	6,4	4,0
Snijuitrusting					
Maaihoogte, mm	30–60	30–60	30–60	30–60	30–60
Maai breedte, mm	480	480	530	530	480

⁸¹ Het aangegeven nominale vermogen van de motor heeft betrekking op het gemiddelde nettovermogen (bij het opgegeven toerental) van een typische productiemotor voor het betreffende motormodel, gemeten volgens de SAE-norm J1349/ISO1585. In massa geproduceerde motoren kunnen een afwijkende waarde geven. Het werkelijk geleverde vermogen van de geïnstalleerde motor in het product hangt af van de bedrijfsnelheid, de omgevingscondities en andere waarden.

⁸² Als SAE-30 olie wordt gebruikt bij een temperatuur lager dan +5 °C bestaat het risico dat de motor niet voldoende wordt gesmeerd. Dit kan leiden tot schade aan de motor. Zie *De motorolie verversen op pagina 232* voor de juiste olie voor lage temperaturen.

⁸³ Geluidsemissie naar de omgeving gemeten als geluidsvermogen (L_{WA}) volgens EG-richtlijn 2000/14/EG.

⁸⁴ Geluidsdruk niveau volgens ISO 5395. De gerapporteerde gegevens voor het geluidsdruk niveau vertonen een typische statistische spreiding (standaardafwijking) van 1,2 dB (A).

⁸⁵ Trillingsniveau volgens ISO 5395. De gerapporteerde gegevens voor een trillingsniveau vertonen een typische statistische spreiding (standaardafwijking) van 0,2 m/s².

	KLIPPO LB 448S	KLIPPO LB 448SQ	KLIPPO LB 453S	KLIPPO LB 453SQ	KLIPPO LB 548SQe
Mes	Mulch - 48 cm 5028813-10	Mulch - 48 cm 5028813-10	Mulch - 53 cm 5028814-10	Mulch - 53 cm 5028814-10	Mulch - 48 cm 5028813-10
Aandrijving					
Snelheid, km/u	4,5	4,5	4,5	4,5	4,5

Verklaring van overeenstemming

EU-verklaring van overeenstemming

Wij, **Husqvarna AB**, SE-561 82 Huskvarna,
Zweden, tel: +46-36-146500, verklaren onder onze
alleenverantwoordelijkheid dat het product:

Beschrijving	Gazonmaaier
Merk	Husqvarna
Type / model	KLIPPO LB 448S, KLIPPO LB 453S, KLIPPO LB 448SQ, KLIPPO LB 453SQ, KLIPPO LB 548SQe
Identificatie	Serienummers vanaf 2022 en verder

volledig voldoet aan de volgende EU-richtlijnen en
-regelgeving:

Richtlijn/Verordening	Beschrijving
2006/42/EG	"betreffende machines"
2014/30/EU	"betreffende elektromagnetische compatibiliteit"
2000/14/EG	"betreffende de geluidsemissies in het milieu"
2011/65/EU	"inzake beperking van het gebruik van bepaalde gevaarlijke stoffen in elektrische en elektronische apparatuur"

en dat de volgende normen en/of technische
specificaties zijn toegepast: EN ISO 5395-1:2013/
A1:2018, EN ISO 5395-2:2013/A1:2016/A2:2017, EN
ISO 14982:2009, EN IEC 63000:2018.

Aangemelde instantie: 0404, RISE SMP Svensk
Maskinprovning AB, Box 4053, SE-904 03 Umeå,
Sweden. is gecertificeerd conform Richtlijn 2000/14/EG
van de Raad, beoordelingsprocedure voor conformiteit:
Bijlage VI.

Voor informatie over geluidsemissies, zie *Technische
gegevens op pagina 234*.

Huskvarna, 2023-02-07



Claes Losdal, Development Manager/Garden Products,
Husqvarna AB

Verantwoordelijk voor technische documentatie



INNHold

Innledning.....	238	Vedlikehold.....	243
Sikkerhet.....	239	Transport, oppbevaring og avhending.....	247
Montering.....	242	Tekniske data.....	247
Drift.....	242	Samsvarserklæring.....	250

Innledning

Produktbeskrivelse

Produktet er en roterende skyveggressklipper som bruker BioClip® for å klippe gresset til gjødsel.

Produktoversikt

(Fig. 1)

1. Håndtak/styrestang
2. Motorbremsehåndtak
3. Kjølrespak
4. Startsnorhåndtak
5. Oljelokk
6. Remdeksel
7. Lyddemper
8. Tennplugg
9. Remdeksel
10. Drivstofftank
11. Spak for vinkeljustering på håndtaket
12. Avvibreringssystem
13. Clutchvaierjustering
14. Spak for regulering av klippehøyde
15. Drivstoffventil
16. Luftfilter
17. Klippedeksel
18. Sprengskive
19. Knivbolt
20. Blad
21. Knivstøtte
22. Finfordelingsplugg KLIPPO LB 448S, KLIPPO LB 448SQ, KLIPPO LB 548SQe
23. Bruksanvisning

Symboler på produktet

- (Fig. 2) **ADVARSEL:** Uforsiktig eller feilaktig bruk kan resultere i skader eller dødsfall for brukeren eller tilskuere.
- (Fig. 3) Les nøye gjennom bruksanvisningen og forsikre deg om at du har forstått instruksjonene før bruk.
- (Fig. 4) Se opp for gjenstander som slynges ut og rikosjetterer.

Bruksområder

Bruk produktet til å klippe gress. Ikke bruk produktet til andre oppgaver.

- (Fig. 5) Hold personer og dyr på trygg avstand fra arbeidsområdet.
- (Fig. 6) Stopp motoren og fjern tenningskabelen før det utføres reparasjoner eller vedlikehold.
- (Fig. 7) Advarsel: Hold hender og føtter borte fra bevegelige deler.
- (Fig. 8) Advarsel: Hold hender og føtter borte fra den roterende kniven.
- (Fig. 9) Dette produktet er i overensstemmelse med gjeldende EU-direktiver.
- (Fig. 10) Dette produktet samsvarer med gjeldende britiske direktiver.
- (Fig. 11) Dette produktet samsvarer med gjeldende Eurasian Customs Union-direktiver. Kun gyldig for KLIPPO LB 448S & KLIPPO LB 453S.
- (Fig. 12) Støytuslipp til omgivelsene som i EU-direktiver og forskrifter, britiske direktiver og forskrifter og New South Wales-forskriften «Protection of the Environment Operations (Noise Control) Regulation 2017». Garantert lydeffektnivå for produktet er angitt i *Tekniske data på side 247* og på etiketten.
- (Fig. 13) Kode som kan skannes.

Merk: Andre symboler/merker på produktet refererer til markedsspesifikke juridiske krav.

Etikett på produktet, bare for Australia og New Zealand

(Fig. 14)

Hold hender og føtter borte fra den roterende kniven.

Euro V-utslipp



ADVARSEL: Tukling med motoren opphever EU-type-godkjenningen til dette produktet.

- Produktet er reparert på feil måte.
- Produktet er reparert med deler som ikke kommer fra produsenten eller som ikke er godkjent av produsenten.
- Produktet har et tilbehør som ikke kommer fra produsenten eller som ikke er godkjent av produsenten.
- Produktet er ikke reparert på et godkjent servicesenter eller av en godkjent aktør.

Produktansvar

Som nevnt i lovverket om produktansvar er vi ikke ansvarlig for skader som produktet vårt forårsaker, i følgende tilfeller:

Sikkerhet

Sikkerhetsdefinisjoner

Advarsler, oppfordringer og merknader brukes for å understreke spesielt viktige deler av bruksanvisningen.



ADVARSEL: Brukes hvis det er fare for personskade eller død for brukeren eller andre personer om instruksjonene i håndboken ikke følges.



OBS: Brukes hvis det er fare for skade på produktet, annet materiell eller nærliggende områder om instruksjonene i håndboken ikke følges.

Merk: Brukes for å gi mer nødvendig informasjon for en spesifikk situasjon.

Generelle sikkerhetsinstruksjoner



ADVARSEL: Les de følgende advarselsinstruksjonene før du bruker produktet.

- Dette produktet er farlig hvis det brukes feil, eller hvis du ikke er forsiktig. Personskade eller død kan forekomme hvis du ikke følger sikkerhetsinstruksjonene.
- Dette produktet danner et elektromagnetisk felt når det er i bruk. Dette feltet kan under visse forhold forstyrre aktive eller passive medisinske implantater. For å redusere faren for hendelser som kan føre til alvorlig eller livstruende skade, anbefaler vi at personer med medisinske implantater rådfører seg med lege og produsenten av det medisinske implantatet før dette produktet tas i bruk.

- Vær alltid forsiktig, og bruk sunn fornuft. Hvis du ikke er sikker på hvordan du skal bruke produktet i en bestemt situasjon, må du stoppe og snakke med Husqvarna-forhandleren før du fortsetter.
- Husk at brukeren er ansvarlig for ulykker som involverer andre personer eller deres eiendom.
- Hold produktet rent. Sørg for at du kan lese skilt og merker.
- Ikke la en person bruke produktet med mindre du forsikrer deg om at de har lest og forstått innholdet i bruksanvisningen.
- Ikke la barn bruke produktet.
- Hold barn borte fra arbeidsområdet. En ansvarlig voksen må alltid være til stede.
- Ikke la en person uten kunnskap om instruksjonene bruke produktet.
- Hold alltid øye med personer med redusert fysisk eller mental kapasitet når de bruker produktet. En ansvarlig voksen må alltid være til stede.
- Ikke bruk produktet dersom du er trett eller syk eller under påvirkning av alkohol, andre rusmidler eller medisiner. Disse tingene har en negativ effekt på synet, vurderingsevnen og dømmekraften din.
- Ikke bruk et produkt som er skadet eller ikke fungerer som det skal.
- Ikke modifier dette produktet, og ikke bruk det dersom det er mulig at andre har modifisert det.
- Ikke endre justeringen for turtallsreguleringen.

Sikkerhet i arbeidsområdet



ADVARSEL: Les de følgende advarslene før du bruker produktet.

- Fjern gjenstander som greiner, kvister og steiner fra området før du bruker produktet.

- Gjenstander som treffer skjærestyret, kan slynges ut og forårsake skade på personer og gjenstander. Hold tilskuere og dyr på trygg avstand fra produktet.
- Bruk aldri produktet i dårlig vær, for eksempel i tåke, regn, sterk vind, sterk kulde, eller ved fare for lyn. Det er slitsomt å bruke produktet i dårlig vær eller på fuktige eller våte steder. Dårlig vær kan forårsake farlige forhold, for eksempel glatt underlag.
- Hold utkikk etter personer, objekter og situasjoner som kan forhindre sikker bruk av produktet.
- Se etter hindringer, for eksempel røtter, steiner, kvister, fordypninger og grøfter. Høyt gress kan skjule hindringer.
- Det kan være farlig å klippe gress i skråninger. Ikke bruk produktet i skråninger som heller mer enn 15 grader.
- Bruk produktet på tvers av skråninger. Ikke gå opp og ned.
- Vær forsiktig når du nærmer deg skjulte hjørner eller gjenstander som blokkerer sikten.

- Unngå å vippe produktet opp mens motoren er i gang.
- Vær forsiktig når du trekker produktet bakover.
- Du må aldri løfte produktet når motoren er i gang. Hvis du må løfte produktet, må du først stoppe motoren og koble tenningskabelen fra tennpluggen.
- Ikke gå bakover når du bruker produktet.
- Stopp motoren når du går over områder uten gress, for eksempel gangveier av grus, stein og asfalt.
- Ikke løp med produktet når motoren er på. Du må alltid gå mens du bruker produktet.
- Stopp motoren før du endrer klippehøyde. Utfør aldri justeringer mens motoren er i gang.
- La aldri produktet være ute av syne mens motoren er i gang. Stopp motoren, og forsikre deg om at skjærestyret ikke roterer.

Sikkerhetsinstruksjoner for drift

Personlig verneutstyr



ADVARSEL: Les de følgende advarslene før du bruker produktet.

- Verneutstyr kan aldri fullstendig forhindre skade, men det reduserer skadeomfanget hvis ulykken inntreffer. Spør forhandleren din om hjelp til å velge riktig utstyr.
- Bruk hørselsvern hvis støynivået er høyere enn 85 dB.
- Bruk kraftige, sklisikre støvler eller sko. Ikke bruk åpne sko eller gå barbeint.
- Bruk tykke langbukser.
- Bruk vernehansker når det er nødvendig, for eksempel når du fester, undersøker eller rengjør skjærestyret.

Sikkerhetsutstyr på produktet



ADVARSEL: Les de følgende advarelsinstruksjonene før du bruker produktet.

- Ikke bruk et produkt med sikkerhetsutstyr som er skadet eller ikke fungerer som det skal.
- Utfør regelmessig kontroll av sikkerhetsstyret. Hvis sikkerhetsstyret er skadet eller ikke fungerer som det skal, må du kontakte Husqvarna-serviceverkstedet.
- Ikke foreta endringer på sikkerhetsutstyr.

Slik kontrollerer du klippedekselet

Klippedekselet gir mindre vibrasjoner og minsker risikoen for skader forårsaket av kniven.

- Undersøk klippedekselet for å sikre at det ikke er noen skader, for eksempel sprekker.

Arbeidssikkerhet



ADVARSEL: Les de følgende advarslene før du bruker produktet.

- Bruk dette produktet bare til å klippe gressplener. Det er ikke tillatt å bruke det til andre formål.
- Bruk personlig verneutstyr. Se *Personlig verneutstyr på side 240*.
- Sørg for at du vet hvordan du stopper motoren raskt i en nødsituasjon.
- Start aldri motoren i et lukket rom eller i nærheten av brennbart materiale. Motorens avgasser er varme og kan inneholde gnister som kan forårsake brann.
- Ikke bruk produktet med mindre kniven og alle deksler er riktig montert. En kniv som er feilmontert, kan løsne og forårsake personskade.
- Pass på at kniven ikke kommer borti gjenstander som steiner og røtter. Dette kan gjøre skade på kniven og bøye motorakselen. En bøyd aksel kan forårsake mye vibrasjon og utgjør en svært høy fare for at kniven blir løs.
- Hvis kniven treffer en gjenstand eller det oppstår kraftige vibrasjoner, må produktet stanses øyeblikkelig. Koble tenningskabelen fra tennpluggen. Kontroller produktet for skader. Reparer skader, eller la et autorisert serviceverksted utføre reparasjon.
- Du må aldri feste motorbremsehåndtaket permanent til håndtaket når motoren er i gang.
- Plasser produktet på et stabilt, flatt underlag, og start det. Pass på at kniven ikke berører bakken eller andre gjenstander.
- Hold deg alltid bak produktet når du bruker det.
- La alle hjulene være på bakken, og hold begge hender på håndtaket når du bruker produktet. Hold hender og føtter borte fra de roterende knivene.

Slik kontrollerer du remdekselet

Remdekselet reduserer faren for skader og sørger for at en røket drivrem ikke slynges ut.

- Kontroller at remdekselet ikke er skadet, og at det er riktig festet. (Fig. 15)

Motorbremsehåndtak

Motorbremsehåndtaket stopper motoren. Når du slipper motorbremsehåndtaket, stopper motoren.

Hvis du vil kontrollere motorbremsehåndtaket, starter du motoren og slipper deretter motorbremsehåndtaket. Hvis motoren ikke stopper innen tre sekunder, må du la et godkjent Husqvarna-serviceverksted justere motorbremsen.

(Fig. 16)

Slik kontrollerer du avvibringssystemet



ADVARSEL: Overeksponering for vibrasjon kan føre til sirkulasjons- eller nerveskader hos personer med nedsatt blodsirkulasjon. Oppsøk lege hvis du opplever fysiske symptomer som kan relateres til overeksponering for vibrasjon. Eksempel på slike symptomer er nummenhet, følelseløshet, «kiling», «stikk», smerte, manglende eller redusert styrke og forandringer i hudfarge eller -tilstand. Disse symptomene opptrer vanligvis i fingre, hender eller håndledd.

Avvibringssystemet reduserer vibrasjonen i håndtaket under drift.

Stålrøret i håndtaket og klippedekselet reduserer vibrasjonene. KLIPPO LB 548SQe har også fire avvibringsenheter festet til håndtaket.

- Undersøk håndtakene og de vibrasjonsdempende enhetene for å sikre at det ikke finnes noen skader. (Fig. 17)

Knivstøtte

Knivstøtten reduserer faren for at motorakselen bøyes. Hvis kniven treffer en gjenstand, beveger kniven seg mot knivstøtten. Bevegelsen forårsaker slitasje på overflaten av knivstøtten. Slitasjen viser at beskyttelsen av motorakselen fungerer riktig.

Lyddemper

Lyddemperen begrenser støynivået og sender avgassene bort fra brukeren.

Ikke bruk produktet hvis lyddemperen mangler eller er skadet. En defekt lyddemper øker lydnivået og brannfaren.



ADVARSEL: Lyddemperen blir svært varm under og etter bruk, og når motoren går på tomgang. Vær forsiktig i nærheten av brannfarlige materialer og/eller avgasser for å unngå brann.

Slik kontrollerer du lyddemperen

- Kontroller lyddemperen regelmessig for å sikre at den er riktig montert og ikke skadet.

Drivstoffsikkerhet



ADVARSEL: Les de følgende advarslene før du bruker produktet.

- Ikke start produktet hvis det er drivstoff eller motorolje på produktet. Fjern uønsket drivstoff/olje, og la produktet tørke.
- Skift klær umiddelbart hvis du søler drivstoff på klærne.
- Ikke få drivstoff på kroppen, det kan føre til personskade. Bruk såpe og vann for å fjerne drivstoff hvis du får drivstoff på kroppen.
- Ikke start produktet hvis motoren lekket. Kontroller motoren for lekkasjer med jevne mellomrom.
- Vær forsiktig med drivstoff. Drivstoff er brannfarlig, og avgassene er eksplosive og kan forårsake personskade eller død.
- Ikke pust inn bensindamp, det kan føre til personskade. Pass på at det er tilstrekkelig luftstrøm.
- Du må ikke røyke i nærheten av drivstoff eller motoren.
- Ikke sett varme gjenstander i nærheten av drivstoff eller motoren.
- Ikke fyll på drivstoff når motoren er på.
- Kontroller at motoren er avkjølt før du fyller på drivstoff.
- Åpne tanklokket sakte og slipp ut trykket forsiktig før du fyller.
- Ikke fyll drivstoff på motoren innendørs. En utilstrekkelig luftstrøm kan føre til personskade eller dødsfall på grunn av kveling eller karbonmonoksidforgiftning.
- Trekk til drivstofflokket helt. Hvis drivstofflokket ikke er strammet, kan det utgjøre en risiko for brann.
- Flytt produktet minst 3 m (10 fot) fra stedet der du fylte tanken, før du starter det.
- Fyll ikke drivstofftanken helt opp. Varme fører til at drivstoffet utvider seg. Lad det være litt plass øverst i drivstofftanken.

Sikkerhetsinstruksjoner for vedlikehold



ADVARSEL: Les de følgende advarslene før du bruker produktet.

- Eksosen fra motoren inneholder karbonmonoksid, en luftfri, giftig og svært farlig gass. Ikke start motoren innendørs eller i lukkede rom.
- Før du utfører vedlikehold på produktet, må du stoppe motoren og fjerne tenningskabelen fra tennpluggen.
- Bruk vernehansker når du utfører vedlikehold på skjæreutstyret. Kniven er svært skarp, og det er lett å kutte seg.

- Tilbehør og endringer på produktet som ikke er godkjent av produsenten, kan føre til alvorlig personskade eller død. Ikke foreta endringer av produktet. Bruk bare tilbehør som er godkjent av produsenten.
- Hvis vedlikeholdet ikke utføres riktig og regelmessig, øker faren for personskade og skade på produktet.
- Bare utfør vedlikehold som beskrevet i denne brukerveiledningen. Alt annet vedlikehold må utføres av et godkjent Husqvarna-serviceverksted.
- La et godkjent Husqvarna-serviceverksted utføre service på produktet regelmessig.
- Skift ut alle skadde, slitte eller ødelagte deler.

Montering

Innledning



ADVARSEL: Før du monterer produktet, må du lese og forstå kapittelet om sikkerhet.



ADVARSEL: Fjern tennpluggkabelen fra tennpluggen før du monterer produktet.

Slik monterer og justerer du håndtaket

1. Fjern håndtaksmutteren og flensskiven fra platen på det øvre håndtaket.
2. Sett det øvre håndtaket på plass over det nedre håndtaket.

3. Fest flensskiven og håndtaksmutteren. (Fig. 18)
4. Drei håndtaket til siden for å få en god bruksstilling når du bruker produktet i nærheten av en vegg. (Fig. 19)
5. Drei justeringshjulene på chassiset for å justere håndtaket loddrett. (Fig. 20)

Slik monterer du finfordelingspluggen (KLIPPO LB 448S, KLIPPO LB 448SQ, KLIPPO LB 548SQe)

1. Vipp produktet bakover med tennpluggen vendt opp.
2. Sett pinnene på finfordelingspluggen inn i hullene fra insiden av klippedekselet. (Fig. 21)
3. Fest skruene for finfordelingspluggen fra utsiden av klippedekselet. (Fig. 22)



OBS: Kontroller at ledningene ikke kommer i klem eller blir skadet.

Drift

Innledning



ADVARSEL: Før du bruker produktet, må du lese og forstå kapittelet om sikkerhet.

Husqvarna Connect

Husqvarna Connect er en kostnadsfri app for mobilenheten din. Husqvarna Connect-appen gir utvidede funksjoner for Husqvarna-produktet ditt:

- utvidet produktinformasjon
- informasjon om og hjelp med produktdeleer og service

Slik begynner du å bruke Husqvarna Connect

1. Last ned Husqvarna Connect-appen på mobilenheten din.
2. Utfør registrering i Husqvarna Connect-appen.
3. Følg instruksjonene i Husqvarna Connect-appen for å koble til og registrere produktet.

Før du bruker produktet

1. Les nøye gjennom bruksanvisningen, og sørg for at du har forstått instruksjonene.
2. Undersøk skjæreutstyret for å sikre at det er riktig festet og justert. Se *Slik kontrollerer du skjæreutstyret på side 245*.

3. Fyll drivstofftanken. Se *Slik fyller du drivstoff på side 243*.
4. Fyll oljetanken, og kontroller oljenivået. Se *Slik kontrollerer du oljenivået på side 245*.

Slik fyller du drivstoff

Bruk miljøbensin/alkylatbensin, hvis det er tilgjengelig. Hvis miljøbensin/alkylatbensin ikke er tilgjengelig, bruk blyfri bensin av god kvalitet eller blybensin med oktantal 90 eller høyere.



OBS: Ikke bruk bensin med et oktantal som er mindre enn 90 RON (87 AKI). Dette kan skade produktet.

1. Åpne drivstofflokket sakte for å slippe ut trykket.
2. Fyll langsomt med en bensinkanne. Hvis du søler drivstoff, kan du tørke det opp med en klut og la det som måtte være igjen, lufttørke. (Fig. 23)
3. Tørk rent rundt drivstofflokket.
4. Trekk til drivstofflokket helt. Hvis drivstofflokket ikke er strammet, kan det utgjøre en risiko for brann.
5. Flytt produktet minst 3 m fra stedet du fylte tanken før du starter det.

Slik regulerer du klippehøyden

Klippehøyden kan justeres i seks trinn.

1. Flytt spaken for klippehøyde forover for å øke klippehøyden.
2. Flytt spaken for klippehøyde bakover for å redusere klippehøyden.



OBS: Ikke sett klippehøyden for lavt. Knivene kan treffe bakken hvis overflaten av plenen ikke er vannrett.

Slik starter du produktet

1. Sørg for at tenningskabelen er koblet til tennpluggen.
2. Åpne drivstoffkranen. (Fig. 24)
3. Stå bak produktet.
4. Hold motorbremsehåndtaket mot håndtaket. (Fig. 25)

5. Hold i startsnorhåndtaket med høyrehånden.
6. Dra startsnoren langsomt ut til du kjenner litt motstand.
7. Trekk kraftig for å starte motoren.



ADVARSEL: Surr aldri startsnoren rundt hånden.



OBS: Unngå å trekke ut startsnoren helt. Ikke slipp startsnorhåndtaket når startsnoren er trukket helt ut.

Slik brukes hjuldriften

- Skyv kjørespaken ned. (Fig. 26)
- Før du trekker produktet bakover, må du koble ut driften og skyve produktet forover med ca. 10 cm.
- Slipp motorbremsehåndtaket litt tilbake for å koble fra driften, for eksempel når du er nær en hindring.

Slik stopper du produktet

- Hvis du bare vil stoppe driften, slipper du motorbremsehåndtaket bare litt tilbake.
- Hvis du vil stoppe motoren, slipper du motorbremsehåndtaket helt tilbake.
- Steng drivstoffkranen. (Fig. 27)

Slik får du et godt resultat

- Bruk alltid en godt slipt kniv. En sløv kniv gir ujevnt resultat, og gressets klippeoverflate blir gul. En skarp kniv bruker også mindre energi enn en sløv kniv.
- Ikke klipp mer enn 1/3 av lengden på gresset. Klipp først med klippehøyden stilt høyt. Undersøk resultatet, og senk klippehøyden til det aktuelle nivået. Hvis gresset er veldig langt, kjører du sakte og klipper to ganger om nødvendig.
- Klipp i forskjellige retninger hver gang, for å unngå striper i plenen.
- Hold klippedekselet rent. Oppsamling av gress og smuss på innsiden av klippedekselet kan gi et dårligere klipperesultat. Se *Slik rengjør du produktet på utsiden på side 244*.

Vedlikehold

Innledning



ADVARSEL: Før du utfører vedlikeholdsarbeid, må du lese og forstå kapittelet om sikkerhet.

For alt vedlikehold og reparasjonsarbeid på produktet er det nødvendig med spesiell opplæring. Vi garanterer fagmessig reparasjon og service. Hvis forhandleren ikke

er et serviceverksted, må du snakke med dem for å få informasjon om nærmeste serviceverksted.

Hvis du vil ha mer detaljert informasjon, kan du se www.husqvarna.com.

Vedlikeholdsskjema

Vedlikeholdintervallene er beregnet med utgangspunkt i daglig bruk av produktet. Intervallene kan endres hvis produktet ikke brukes daglig.

For vedlikehold merket med * kan du se instruksjonene i *Sikkerhetsutstyr på produktet på side 240.*

Vedlikehold	Daglig	Ukentlig	Månedlig
Utfør en generell inspeksjon.	X		
Kontroller oljenivået.	X		
Hvordan robotklipperen rengjøres	X		
Rengjør luftfilteret	X		
Kontroller skjæreutstyret.	X		
Kontroller klippedekselet*.	X		
Kontroller motorbremseshåndtaket*.	X		
Kontroller lydempere*.		X	
Kontroller tennpluggen.		X	
Kontroller drivremmen for skader.			X
Rengjør girhuset.			X
For KLIPPO LB 448S, KLIPPO LB 453S. Skift olje (første gang etter 5 timers bruk og deretter etter hver 25. times bruk).			X
For KLIPPO LB 448SQ, KLIPPO LB 453SQ, KLIPPO LB 548SQe. Skift olje (første gang etter 5 timers bruk og deretter etter hver 100. times bruk).			X
Skift luftfilteret.			X
Kontroller drivstoffsystemet.			X
Kontroller og juster driften (clutchvaieren).			X

Slik utfører du en generell inspeksjon

- Sørg for at alle mutre og skruer på produktet er trukket til ordentlig.

Slik rengjør du produktet på utsiden

- Bruk en børste for å fjerne løv, gress og smuss.
- Kontroller at luftinntaket på toppen av motoren ikke er blokkert.
- Produktet må ikke rengjøres med høytrykksspyler.
- Hvis du bruker vann til å rengjøre produktet, må du ikke spyle vann direkte på motoren.

Slik rengjør du den indre overflaten av klippedekselet

1. Plasser produktet på siden med lydempere ned.



OBS: Hvis produktet plasseres med luftfilteret ned, kan motoren bli skadet.

2. Spyl innsiden av klippedekselet med vann.

Slik kan du undersøke drivremmen og rengjøre girhuset

1. Ta ut de fire skruene som fester remdekselet, og ta av remdekselet. (Fig. 28)
2. Kontroller drivremmen og remhjulet for skader.
3. Bruk en børste for å fjerne løv, gress og smuss fra girhuset. (Fig. 29)

Slik skifter og justerer du drivremmen

1. Ta ut de fire skruene som fester remdekselet, og ta av remdekselet. (Fig. 28)
2. Stikk en flat skrutebrett inn mellom hjulkapselen og hjulet på høyre forhjul på produktet.
3. Vri skrutebrettet forsiktig, og fjern hjulkapselen.
4. Ta ut hjulbolten, og ta av hjulet. (Fig. 30)
5. Fjern drivremmen fra remhjulene.

6. Kontroller at remhjulene beveger seg problemfritt på akselen.
7. Om nødvendig kan du spraye penetrerende olje mellom og bak remhjulene og smøre akselen.
8. Monter en ny drivrem, og fest den riktig på kulelageret før du justerer drivremmen. (Fig. 31)
9. Flytt kulelageret opp eller ned for å justere drivremmen. (Fig. 32)

Merk: En ny drivrem blir lengre etter bruk. Juster drivremmen igjen etter noen timers drift.

10. Fest remdekslet.
11. Bruk produktet for å sikre at drivremmen er riktig montert og justert.

Slik skifter og justerer du senterremmen

1. Fjern kniven.

Merk: Dette trinnet er ikke nødvendig når du bare justerer senterremmen.

2. Løsne justeringsskruene noen omdreininger, men ikke ta dem ut. (Fig. 33)
3. Skift senterrem, og trekk til justeringsskruene med moderat kraft.

Merk: Dette trinnet er ikke nødvendig når du bare justerer senterremmen.

4. Flytt giret forover eller bakover for å justere senterremmen. (Fig. 34)
5. Bruk en hengevekt til å undersøke strammingen til senterremmen. Remmen har riktig stramming når den kan bevege seg 6–10 mm midt på remmen. Dette tilsvarer en trekraft på 3 kg. (Fig. 35)
6. Trekk til justeringsskruene med et moment på 3 Nm.
7. Bruk produktet for å sikre at drivremmen er riktig montert og justert.

Slik kontrollerer du skjærestyret



ADVARSEL: For å hindre utilsiktet start må du fjerne tenningskabelen fra tennpluggen.



ADVARSEL: Bruk vernehansker når du utfører vedlikehold på skjærestyret. Kniven er svært skarp, og det er lett å kutte seg.

1. Kontroller skjærestyret med henblikk på skader og sprekkdannelse. Bytt alltid ut skadet skjærestyr.
2. Sjekk om kniven er skadet eller sløv.

Merk: Kniven må balanseres etter at den er slipt. La et servicesenter slippe, skifte og balansere kniven. Hvis du treffer en hindring som fører til at produktet stopper, må du skifte ut den skadde kniven. La serviceverkstedet vurdere om kniven kan slipes eller om den må skiftes ut.

Slik bytter du kniven

1. Lås kniven med en trekloss. (Fig. 36)
2. Fjern knivbolten, sprengskiven og kniven. (Fig. 37)
3. Kontroller knivstøtten og knivbolten for skader.
 - a) Hvis du skifter kniv eller knivstøtte, må du også skifte ut knivbolten, sprengskiven og friksjonsskiven.
4. Undersøk motorakselen for å forsikre deg om at den ikke er bøyd.
5. Når du fester den nye kniven, skal de bøyde endene av kniven peke i retning av klippedekslet. (Fig. 38)
6. Plasser friksjonsskiven og kniven mot knivstøtten. (Fig. 39)
7. Kontroller at kniven er på linje med midten av motorakselen. (Fig. 40)
8. Lås kniven med en trekloss. (Fig. 41)
9. Fest sprengskiven, og trekk til bolten med et moment på 80 Nm. (Fig. 42)
10. Trekk kniven rundt for hånd for å kontrollere at den roterer fritt.



ADVARSEL: Bruk vernehansker. Kniven er svært skarp, og det er lett å kutte seg.

11. Start produktet for å teste kniven. Hvis kniven ikke er riktig festet, vil produktet vibrere, eller klipperesultatet vil ikke bli bra nok.

Slik kontrollerer du oljenivået



OBS: For lavt oljenivå kan forårsake alvorlige motorskader. Kontroller oljenivået før du starter produktet.

1. Sett produktet på et flatt underlag.
2. Ta av oljetankklokken med den medfølgende peilepinnen.
3. Fjern gjenværende olje fra peilepinnen.
4. Før peilepinnen helt inn i oljetanken. Trekk til oljetankklokken for å sikre at du får riktig bilde av oljenivået.
5. Ta ut peilepinnen.
6. Kontroller oljenivået på peilepinnen.

7. Hvis oljenivået er lavt, fyller du på motorolje og utfører en ny kontroll av oljenivået.

(Fig. 43)

Merk: Bruk en trakt for å unngå søl.

Slik skifter du motorolje



ADVARSEL: Motorolje er svært varm rett etter at motoren har stoppet. La motoren bli avkjølt før du tapper ut motorolje. Rengjør med såpe og vann hvis du søler motorolje på huden.

(Fig. 44)

1. Fjern tenningskabelen fra tennpluggen.
2. Ta av oljetankklokken.
3. Tapp ut motoroljen.
 - a) For modeller med oljeavtappingsplugg: Sett en beholder under oljeavtappingspluggen for å samle opp motoroljen.
 - b) For modeller uten oljeavtappingsplugg eller hvis det ikke er mulig å sette en beholder under oljeavtappingspluggen: Bruk en oljepumpe (tilbehør) til å tappe motoroljen fra oljetanken.
4. Fyll på ny motorolje av typen som anbefales i *Tekniske data på side 247*.
5. Kontroller oljenivået. Se *Slik kontrollerer du oljenivået på side 245*.

Luftfilter

Merk: Et luftfilter som brukes i lang tid aldri bli fullstendig rent. Skift luftfilteret med jevne mellomrom. Bytt alltid ut skadet luftfilter.

Slik fjerner og monterer du luftfilteret (KLIPPO LB 448SQ, KLIPPO LB 453SQ, KLIPPO LB 548Qe)



ADVARSEL: Bruk vernehansker.

1. Trykk på klemmene på luftfilterdekslet.
2. Ta luftfilterdekslet (A) forsiktig av motoren.
3. Fjern luftfilteret (D) og skumfilteret (C). (Fig. 45)
4. Se etter skader på luftfilteret. Bytt alltid ut et skadet luftfilter.
5. Rengjør og undersøk luftfilteret. Se *Slik rengjør du luftfilteret (KLIPPO LB 448SQ, KLIPPO LB 453SQ, KLIPPO LB 548Qe) på side 246*.
6. Monter i motsatt rekkefølge.

Slik rengjør du luftfilteret (KLIPPO LB 448SQ, KLIPPO LB 453SQ, KLIPPO LB 548Qe)



OBS: Ikke la motoren kjøre uten luftfilter eller med et skittent luftfilter.



OBS: Skift luftfilteret hvis det ikke blir helt rent, eller hvis det er skadet. Et skadet luftfilter forårsaker skade på motoren.

1. Trykk på låsetappene (A), ta av luftfilterdekslet (B) og ta ut luftfilteret (C). (Fig. 46)
2. Slå luftfilteret mot en hard overflate, eller blås trykkluft gjennom luftfilteret fra den rene siden av luftfilteret.



OBS: Ikke bruk en børste til å fjerne smuss ettersom dette skyver smuss inn i luftfilteret.

3. Rengjør luftfilterholderen (D) og luftfilterdekslet med en fuktig klut.



OBS: Sørg for at det ikke kommer smuss inn i luftkanalen (E).

4. Monter luftfilteret. Kontroller at luftfilteret er helt forsegle mot luftfilterholderen.
5. Sett på luftfilterdekslet igjen med de nedre flikene først.

Slik rengjør du luftfilteret (KLIPPO LB 448S, KLIPPO LB 453S)



OBS: Ikke la motoren kjøre uten luftfilter eller med et skittent luftfilter.



OBS: Skift luftfilteret hvis det ikke blir helt rent, eller hvis det er skadet. Et skadet luftfilter forårsaker skade på motoren.

1. Trykk på låsetappene (A), ta av luftfilterdekslet (B) og ta ut luftfilteret (C). (Fig. 47)
2. Slå luftfilteret mot en hard overflate, eller blås trykkluft gjennom luftfilteret fra den rene siden av luftfilteret.



OBS: Ikke bruk en børste til å fjerne smuss ettersom dette skyver smuss inn i luftfilteret.

3. Rengjør luftfilterholderen (D) og luftfilterdekslet med en fuktig klut.



OBS: Sørg for at det ikke kommer smuss inn i luftkanalen (E).

4. Monter luftfilteret. Kontroller at luftfilteret er helt forsegleet mot luftfilterholderen.
5. Sett på luftfilterdekslet igjen med de nedre flikene først.

Kontrollere tennpluggen



OBS: Bruk alltid anbefalt type tennplugg. Feil tennpluggtype kan føre til skade på produktet.

- Undersøk tennpluggen hvis motorens effekt er for lav, ikke er enkel å starte eller ikke fungerer riktig på tomgang.
- Følg disse instruksjonene for å redusere risikoen for uønsket materiale på tennpluggenes elektroder:
 - a) Pass på at tomgangsturtallet er riktig justert.
 - b) Pass på at drivstoffblandingen er riktig.

c) Kontroller at luftfilteret er rent.

- Hvis tennpluggen er skitten, må du rengjøre den og samtidig kontrollere at elektrodeavstanden er riktig. Se *Tekniske data på side 247*. (Fig. 48)
- Skift tennpluggen når det er nødvendig.

Slik undersøker du drivstoffsystemet

- Undersøk drivstofflokket og pakningen til lokket for å sikre at det ikke er noen skader.
- Undersøk drivstoffslangen for å sikre at det ikke finnes lekkasjer. Hvis drivstoffslangen er ødelagt, må du la et serviceverksted skifte den ut.

Slik justerer du clutchvaieren

Hvis driften føles langsam, er det nødvendig å justere clutchvaieren.

- Drei justeringskruen. (Fig. 49)

Clutchvaieren er riktig justert når clutchvaierbraketten er på linje med mutteren.

(Fig. 50)

Transport, oppbevaring og avhending

Transport og oppbevaring

- Før oppbevaring og transport av produktet og drivstoff, må du kontrollere at det ikke finnes lekkasjer eller gasser. Gnister eller åpen ild, for eksempel fra elektriske apparater eller varmekjeler, kan starte en brann.
- Bruk alltid godkjente beholdere for oppbevaring og transport av drivstoff.
- Tøm drivstofftanken før du setter produktet til oppbevaring over en lengre periode. Lever drivstoffet hos en returstasjon.
- Sørg for sikkert feste av produktet under transport for å unngå skader og ulykker.

- Oppbevar produktet på et låst sted for å hindre tilgang for barn eller personer som ikke er godkjent.
- Oppbevar produktet på et tørt og frostfritt sted.

Kassering

- Følg lokale gjenvinningsbestemmelser og gjeldende regelverk.
- Kast alle kjemikalier, for eksempel motorolje eller drivstoff, på et servicesenter eller en returstasjon.
- Når produktet ikke lenger er i bruk, kan du sende det til en Husqvarna-forhandler eller kaste det ved et returpunkt.

Tekniske data

Tekniske data

	KLIPPO LB 448S	KLIPPO LB 448SQ	KLIPPO LB 453S	KLIPPO LB 453SQ	KLIPPO LB 548SQe
Motor					
Merke	Honda	Husqvarna	Honda	Husqvarna	Husqvarna
Modell	GCVX-145	HS 166AP	GCVx-170	HS 166AP	HS 166AP
Motortype	Ensyndret, 4-takts, tvungen luftkjøling, OHV	Ensyndret, 4-takts, tvungen luftkjøling, OHV	Ensyndret, 4-takts, tvungen luftkjøling, OHV	Ensyndret, 4-takts, tvungen luftkjøling, OHV	Ensyndret, 4-takts, tvungen luftkjøling, OHV

	KLIPPO LB 448S	KLIPPO LB 448SQ	KLIPPO LB 453S	KLIPPO LB 453SQ	KLIPPO LB 548SQe
Volum, cm ³	145	166	166	166	166
Hastighet, o/min.	2900	2900	2900	2900	2900
Nominell motoreffekt, kW ⁸⁶	2,7	2,75	3,3	2,75	2,75
Tenningsystem					
Tennplugg	NGK BPR5ES	Husqvarna HQT-7	NGK BPR5ES	Husqvarna HQT-7	Husqvarna HQT-7
Elektrodeavstand, mm	0,7–0,8	0,7–0,8	0,7–0,8	0,7–0,8	0,7–0,8
Drivstoff-/smøresystem					
Motorsmørtype	Skvalpesmø- ring	Skvalpesmø- ring	Skvalpesmø- ring	Skvalpesmø- ring	Skvalpesmø- ring
Volum drivstofftank, liter	0,9	1,5	0,9	1,5	1,5
Volum oljetank, liter	0,5	0,5	0,55	0,5	0,5
Motorolje ⁸⁷	Husqvarna SAE 30	Husqvarna SAE 30	Husqvarna SAE 30 / SAE 10W-30	Husqvarna SAE 30 / SAE 10W-30	Husqvarna SAE 30 / SAE 10W-30
Vekt					
Med tomme tanker, kg	30,5	32,5	33	33,5	34,5
Støyutslipp ⁸⁸					
Lydeffektivnivå, målt dB (A)	90	93	91	94	92
Lydeffektivnivå, garantert L _{WA} dB (A)	91	93	94	95	93
Lydnivåer ⁸⁹					
Lydtrykknivå ved brukerens øre, dB (A)	77	79	78	81	79
Vibrasjonsnivåer, a_{hved} ⁹⁰					
Håndtak, m/s ²	4,5	4,2	5,3	6,4	4,0
Klippeutstyr					
Klippehøyde, mm	30–60	30–60	30–60	30–60	30–60
Klippebredde, mm	480	480	530	530	480

⁸⁶ Motorens merkeeffekt er gjennomsnittlig nettoeffekt (ved angitt turtall) for en typisk produksjonsmotor for motormodellen, målt ifølge SAE-standarden J1349/ISO1585. Masseproduserte motorer kan avvike fra denne verdien. Faktisk effekt for motoren montert på det ferdige produktet vil avhenge av driftshastighet, klimaforhold og andre verdier.

⁸⁷ Hvis SAE-30-olje brukes ved temperaturer lavere enn +5 °C, er det fare for at den ikke smører motoren tilstrekkelig. Dette kan føre til skader på motoren. Se *Slik skifter du motorolje på side 246* for riktig olje for lave temperaturer.

⁸⁸ Utslipp av støy til omgivelsene målt som lydeffekt (L_{WA}) samsvarer med EF-direktiv 2000/14/EF.

⁸⁹ Lydtrykknivå i henhold til ISO 5395. Rapporterte data for lydtrykknivå for maskinen har en typisk statistisk spredning (standardavvik) på 1,2 dB (A).

⁹⁰ Vibrasjonsnivå i henhold til ISO 5395. Rapporterte data for vibrasjonsnivå har en typisk statistisk spredning (standardavvik) på 0,2 m/s².

	KLIPPO LB 448S	KLIPPO LB 448SQ	KLIPPO LB 453S	KLIPPO LB 453SQ	KLIPPO LB 548SQe
Blad	Finfordeler – 48 cm 5028813–10	Finfordeler – 48 cm 5028813–10	Finfordeler – 53 cm 5028814–10	Finfordeler – 53 cm 5028814–10	Finfordeler – 48 cm 5028813–10
Drift					
Hastighet, km/t	4,5	4,5	4,5	4,5	4,5

Samsvarserklæring

EU-samsvarserklæring

Vi, **Husqvarna AB**, SE-561 82 Huskvarna, Sverige, tlf.:
+46 36 146500, erklærer på eget ansvar at produktet:

Beskrivelse	Gressklipper
Merke	Husqvarna
Type/modell	KLIPPO LB 448S, KLIPPO LB 453S, KLIPPO LB 448SQ, KLIPPO LB 453SQ, KLIPPO LB 548SQe
ID	Serienumre datert 2022 og senere

fullstendig overholder følgende EU-direktiver og
-forskrifter:

Direktiv/regulering	Beskrivelse
2006/42/EC	«angående maskiner»
2014/30/EU	«angående elektromagnetisk kompatibilitet»
2000/14/EC	«angående utslipp av støy til omgivelsene»
2011/65/EU	«om begrensning av bruk av visse farlige stoffer i elektrisk og elektronisk utstyr»

og at følgende standarder og/eller tekniske
spesifikasjoner er anvendt: EN ISO 5395-1:2013/
A1:2018, EN ISO 5395-2:2013/A1:2016/A2:2017, EN
ISO 14982:2009, EN IEC 63000:2018.

Kontrollorgan: 0404, RISE SMP Svensk Maskinprovning
AB, Box 4053, SE-904 03 Umeå, Sweden. Har bekreftet
samsvar med rådsdirektivet 2000/14/EF, prosedyre for
overensstemmelsesvurdering: Vedlegg VI.

For informasjon som gjelder støyutslipp, kan du se
Tekniske data på side 247.

Huskvarna, 2023-02-07



Claes Losdal, Utviklingssjef/hageproduktansvarlig,
Husqvarna AB

Ansvarlig for teknisk dokumentasjon



SPIS TREŚCI

Wstęp.....	251	Przeгляд.....	257
Bezpieczeństwo.....	252	Transport, przechowywanie i utylizacja.....	261
Montaż.....	255	Dane techniczne.....	262
Przeznaczenie.....	256	Deklaracja zgodności.....	264

Wstęp

Opis produktu

Produkt jest rotacyjną kosiarką obsługiwaną przez operatora pieszego, wyposażoną w funkcję BioClip®, która umożliwia cięcie trawy na nawóz.

Przeгляд produktu

(Rys. 1)

1. Uchwyt / uchwyt sterowniczy
2. Dźwignia hamulca silnika
3. Dźwignia sterowania
4. Rączka linki rozrusznika
5. Korek zbiorniczka oleju
6. Osłona paska
7. Tłumik
8. Świeca zapłonowa
9. Osłona paska
10. Zbiornik paliwa
11. Dźwignia do regulacji kąta uchwytu
12. Układ tłumienia drgań
13. Regulacja linki sprzęgła
14. Dźwignia regulacji wysokości koszenia
15. Zawór paliwa
16. Filtr powietrza
17. Osłona modułu tnącego
18. Podkładka sprężynowa
19. Śruba noża
20. Nóż
21. Wspornik noża
22. Wkładka mulczująca KLIPPO LB 448S, KLIPPO LB 448SQ, KLIPPO LB 548SQe
23. Instrukcja obsługi

Symbolle znajdujące się na produkcie

- (Rys. 2) **OSTRZEŻENIE:** Następnym nieuważnej lub nieprawidłowej obsługi mogą być obrażenia lub śmierć użytkownika bądź innych osób.
- (Rys. 3) Przed przystąpieniem do pracy prosimy dokładnie i ze zrozumieniem zapoznać się z treścią niniejszej instrukcji obsługi.

Przeznaczenie

Produkt służy fo cięcia trawy. Nie używać produktu do innych zadań.

- (Rys. 4) Należy uważać na wyrzucane i rykoszetujące przedmioty.
- (Rys. 5) Ludzie i zwierzęta powinny przebywać w bezpiecznej odległości od obszaru roboczego.
- (Rys. 6) Przed rozpoczęciem napraw lub konserwacji urządzenia wyłączyć silnik i zdjąć przewód zapłonowy.
- (Rys. 7) Ostrzeżenie: Nie zbliżać dłoni i stóp do części obrotowych.
- (Rys. 8) Ostrzeżenie: Ręce i stopy należy trzymać z dala od obracającego się noża.
- (Rys. 9) Niniejszy produkt jest zgodny z obowiązującymi dyrektywami WE.
- (Rys. 10) Ten produkt jest zgodny z przepisami obowiązującymi w Wielkiej Brytanii.
- (Rys. 11) Produkt jest zgodny z odpowiednimi dyrektywami Euroazjatyckiej Unii Celnej. Dotyczy tylko KLIPPO LB 448S & KLIPPO LB 453S.
- (Rys. 12) Etykieta emisji hałasu do środowiska zgodnie z dyrektywami oraz przepisami UE i Wielkiej Brytanii, a także przepisami Nowej Południowej Walii „Protection of the Environment Operations (Noise Control) Regulation 2017”. Gwarantowany poziom mocy akustycznej urządzenia jest określony w *Dane techniczne na stronie 262* oraz na etykiecie.
- (Rys. 13) Kod do przeskanowania

Uwaga: Inne symbole/naklejki umieszczone na produkcie odnoszą się do wymogów prawnych obowiązujących na danym rynku.

Naklejka na produkcie, wyłącznie dla Australii i Nowej Zelandii

(Rys. 14)

Ręce i stopy należy trzymać z dala od obracającego się ostrza.

Emisje Euro V



OSTRZEŻENIE: Ingerencja w silnik powoduje unieważnienie europejskiego zatwierdzenia typu produktu.

Odpowiedzialność za produkt

Zgodnie z przepisami dotyczącymi odpowiedzialności za produkt nie ponosimy odpowiedzialności za szkody spowodowane przez nasz produkt, jeśli:

- produkt jest nieprawidłowo naprawiany.
- produkt jest naprawiany przy użyciu części nie pochodzących od producenta lub niezatwierdzonych przez producenta.
- produkt jest wyposażony w akcesoria nie pochodzące od producenta lub niezatwierdzone przez producenta.
- produkt nie jest naprawiany w autoryzowanym centrum serwisowym lub przez autoryzowaną placówkę.

Bezpieczeństwo

Definicje dotyczące bezpieczeństwa

Ostrzeżenia, uwagi i informacje są używane do zwrócenia uwagi na szczególnie ważne sekcje instrukcji obsługi.



OSTRZEŻENIE: Jest używane, gdy istnieje ryzyko poważnych obrażeń, śmierci operatora lub uszkodzenia otoczenia w wyniku nieprzestrzegania instrukcji obsługi.



UWAGA: Jest używane, gdy istnieje ryzyko uszkodzenia materiałów lub urządzenia w wyniku nieprzestrzegania instrukcji obsługi.

Uwaga: Stosuje się, aby przekazać więcej informacji, które są przydatne w danej sytuacji.

Ogólne zasady bezpieczeństwa



OSTRZEŻENIE: Przed rozpoczęciem użytkowania produktu przeczytać następujące ostrzeżenia.

- Produkt ten może być niebezpieczny w przypadku jego nieprawidłowego użytkowania i niezachowania ostrożności. Nieprzestrzeganie instrukcji bezpieczeństwa może spowodować obrażenia ciała lub śmierć.
- Niniejszy produkt podczas pracy wytwarza pole elektromagnetyczne. W pewnych okolicznościach pole to może zakłócać pracę aktywnych lub pasywnych implantów medycznych. Przed użyciem tego produktu osoby z wszczepionym implantem medycznym powinny skonsultować się z lekarzem

i producentem implantu w celu ograniczenia ryzyka poważnych lub śmiertelnych obrażeń.

- Zawsze zachowywać ostrożność i kierować się zdrowym rozsądkiem. Jeśli nie ma pewności, w jaki sposób należy obsługiwać ten produkt w konkretnej sytuacji, przed wznowieniem pracy należy porozmawiać z dealerem Husqvarna.
- Pamiętaj o tym, że operator ponosi odpowiedzialność za wypadki z udziałem innych ludzi i ich własności.
- Utrzymywać produkt czystym. Upewnić się, że można łatwo odczytać oznaczenia i naklejki.
- Nie pozwalać używać maszyny jakimkolwiek osobom, które nie zapoznały się i nie zrozumiały zawartości instrukcji obsługi.
- Nie pozwalać dzieciom używać produktu.
- Należy trzymać dzieci z dala od obszaru roboczego. Zawsze musi jej towarzyszyć odpowiedzialna osoba dorosła.
- Nie pozwalać osobom niezającym instrukcji używać maszyny.
- Należy zawsze kontrolować osobę o ograniczonych możliwościach fizycznych lub umysłowych podczas używania produktu. Zawsze musi jej towarzyszyć odpowiedzialna osoba dorosła.
- Osoba, która jest zmęczona, chora lub pod wpływem alkoholu, narkotyków lub leków nie może obsługiwać urządzenia. Stany te mają negatywny wpływ na wzrok, uwagę, koordynację i osąd.
- Nie używać urządzenia, które jest uszkodzone lub nie działa prawidłowo.
- Nie wolno dokonywać w maszynie zmian stanowiących modyfikację jej oryginalnej wersji. Nie używać maszyny, jeżeli istnieje podejrzenie, że ktoś inny wprowadził w niej zmiany.
- Nie wolno zmieniać ustawień prędkości obrotowej silnika.

Bezpieczeństwo miejsca pracy



OSTRZEŻENIE: Przed rozpoczęciem użytkowania produktu przeczytać następujące ostrzeżenia.

- Usunąć objekty, takie jak gałęzie, gałązki i kamienie z obszaru roboczego przed rozpoczęciem korzystania z maszyny.
- Objekty, które zderzają się z elementami tnącymi, mogą zostać wyrzucone i spowodować obrażenia osób i uszkodzenia przedmiotów. Osoby znajdujące się w pobliżu i zwierzęta powinny zachować bezpieczną odległość od maszyny.
- Nigdy nie należy używać produktu w niesprzyjających warunkach np. we mgle, w deszczu, przy silnym wietrze, na silnym mrozie, gdy występuje ryzyko wyładowań atmosferycznych. Korzystanie z maszyny w niesprzyjających warunkach lub w wilgotnych czy mokrych lokalizacjach jest męczące. Niesprzyjające warunki pogodowe mogą stworzyć niebezpieczne warunki, takie jak śliskie powierzchnie.
- Należy uważać na osoby, przedmioty i sytuacje, które mogą uniemożliwić bezpieczną obsługę maszyny.
- Należy zwracać uwagę na przeszkody, takie jak korzenie, kamienie, gałązki, dziury i doły. Wysoka trawa może zasłaniać przeszkody.
- Koszenie trawy na pochyłościach może być niebezpieczne. Nie należy używać maszyny na pochyłościach terenu przekraczających 15°.
- Należy używać maszyny, prowadząc ją w poprzek zbocza. Nie należy jeździć w górę i w dół zbocza.
- Zachować ostrożność podczas zbliżania się do narożników lub innych obiektów, które mogą ograniczać widoczność.

Pracuj bezpiecznie



OSTRZEŻENIE: Przed rozpoczęciem użytkowania produktu przeczytać następujące ostrzeżenia.

- Używać maszyny wyłącznie do przycinania trawników. Nie jest dozwolone wykorzystanie maszyny do innych zadań.
- Stosuj środki ochrony osobistej. Patrz *Środki ochrony osobistej na stronie 253*.
- Należy zawsze wiedzieć, jak szybko wyłączyć silnik w razie awarii.
- Nigdy nie należy uruchamiać silnika w zamkniętej przestrzeni lub w pobliżu łatwopalnych materiałów. Spaliny silnikowe mają wysoką temperaturę, mogą zawierać iskry, które mogą się stać przyczyną pożaru.
- Nie należy obsługiwać maszyny, jeśli ostrze oraz wszystkie pokrywy nie zostały prawidłowo

zamocowane. Nieprawidłowo zamocowane ostrze może się obulzować i spowodować obrażenia.

- Należy upewnić się, że ostrze nie uderza w żadne objekty, takie jak kamienie czy korzenie. Może to spowodować uszkodzenie ostrza oraz wygięcie wału silnika. Zgięta oś powoduje silne wibracje oraz bardzo wysokie zagrożenie obulzowaniem ostrza.
- Jeśli ostrze uderzy w jakikolwiek obiekt lub jeśli wystąpią wibracje, należy natychmiast wyłączyć maszynę. Odłączyć przewód zapłonowy od świecy zapłonowej. Należy sprawdzić maszynę pod kątem uszkodzeń. Należy naprawić uszkodzenia lub zlecić przeprowadzenie naprawy przez autoryzowany punkt serwisowy.
- Nigdy nie należy na stałe przymocowywać uchwytu hamulca silnikowego do uchwytu podczas pracy silnika.
- Maszynę należy ustawić na stabilnej, płaskiej powierzchni i ją uruchomić. Należy upewnić się, że ostrza nie uderzają w podłoże lub inne przedmioty.
- Podczas obsługi maszyny zawsze należy stać za nią.
- Podczas obsługi maszyny należy upewnić się, że wszystkie koła dotykają podłoża oraz trzymać na kierownicy obie dłonie. Ręce i stopy należy trzymać z dala od obracających się noży.
- Nie przechylać produktu, kiedy uruchomiony jest silnik.
- Należy zachować ostrożność podczas ciągnięcia maszyny do tyłu.
- Nigdy nie należy podnosić maszyny przy włączonym silniku. Jeśli konieczne jest podniesienie maszyny, najpierw należy wyłączyć silnik i odłączyć przewód zapłonowy od świecy zapłonowej.
- Nie należy poruszać się do tyłu podczas obsługi maszyny.
- Podczas poruszania się po obszarach bez trawy, na przykład po żwirowych, kamiennych lub asfaltowych ścieżkach, należy wyłączyć silnik.
- Nie należy biegać z maszyną przy włączonym silniku. Podczas obsługi maszyny zawsze należy poruszać się chodem.
- Przed zmianą wysokości koszenia należy wyłączyć silnik. Nigdy nie należy wykonywać regulacji przy uruchomionym silniku.
- Nigdy nie należy pozostawiać maszyny poza zasięgiem wzroku przy włączonym silniku. Należy wyłączyć silnik i upewnić się, że narzędzia tnące nie obracają się.

Instrukcje bezpieczeństwa dotyczące obsługi

Środki ochrony osobistej



OSTRZEŻENIE: Przed rozpoczęciem użytkowania produktu przeczytać następujące ostrzeżenia.

- Środki ochrony osobistej nie eliminują całkowicie ryzyka odniesienia obrażeń, natomiast ograniczają ich rozmiar w razie zaistnienia wypadku. Skorzystaj z pomocy dealera przy wyborze odpowiedniego sprzętu.
- Jeśli poziom hałasu przekracza 85 dB, należy stosować ochronniki słuchu.
- Należy używać mocnego, przeciwpoślizgowego obuwia ochronnego lub obuwia roboczego. Nie należy używać otwartego obuwia lub chodzić boso.
- Stosować wytrzymałe, długie spodnie.
- W razie potrzeby, na przykład podczas mocowania, badania czy czyszczenia narzędzi tnących, stosować rękawice ochronne.

Zespoły zabezpieczające na produkcji



OSTRZEŻENIE: Przed rozpoczęciem użytkowania produktu przeczytać następujące ostrzeżenia.

- Nie używać produktu z urządzeniami zabezpieczającymi, które są uszkodzone lub nie działają prawidłowo.
- Regularnie przeprowadzać kontrole urządzeń zabezpieczających. Jeśli urządzenia zabezpieczające są uszkodzone lub nie działają prawidłowo, należy skontaktować się z warsztatem obsługi technicznej Husqvarna.
- Nie wolno dokonywać modyfikacji urządzeń zabezpieczających.

Sprawdzanie osłony modułu tnącego

Osłona modułu tnącego ogranicza drgania urządzenia i obniża ryzyko odniesienia obrażeń od ostrza.

- Zbadać osłonę modułu tnącego, aby upewnić się, że nie nosi ona znamion uszkodzenia, takich jak pęknięcia.

Sprawdzanie osłony paska

Osłona paska zmniejsza ryzyko odniesienia obrażeń i zapobiega odrzuceniu uszkodzonego paska napędowego.

- Upewnić się, że osłona paska nie jest uszkodzona i że jest prawidłowo zamocowana. (Rys. 15)

Uchwyt hamulca silnika

Uchwyt hamulca silnika zatrzymuje silnik. Po zwolnieniu uchwytu hamulca silnika następuje wyłączenie silnika.

Aby przeprowadzić badanie hamulca silnika, uruchomić silnik, a następnie zwolnić uchwyt hamulca silnika. Jeśli silnik nie wyłączy się w czasie 3 sekund, zatwierdzonej serwisu obsługi technicznej Husqvarna powinien wyregulować hamulec silnika.

(Rys. 16)

Sprawdzanie układu tłumienia drgań



OSTRZEŻENIE: Narażenie operatora na nadmierne działanie drgań może powodować uszkodzenia układu krążenia i układu nerwowego, szczególnie u osób z niewydolnością układu krążenia. Zwrócić się do lekarza w przypadku rozpoznania u siebie objawów dolegliwości somatycznych, których przyczyną może być wystawienie na nadmierne drgania. Przykładem takich symptomów jest drętwienie, utrata czucia, mrowienie, kłucie, ból, utrata sił, zmiany koloru skóry lub jej stanu. Objawy te zazwyczaj są odczuwalne w palcach, dłoniach i nadgarstkach.

Układ tłumienia drgań zmniejsza drgania na uchwytach podczas pracy urządzenia.

Stalowa rura w uchwycie sterowniczym i osłona modułu tnącego zmniejszają drgania. Model KLIPPO LB 548SQe jest również wyposażony w 4 amortyzatory przymocowane do uchwytu sterowniczego.

- Sprawdzić uchwyt sterowniczy i amortyzatory w celu upewnienia się, że nie są uszkodzone. (Rys. 17)

Wspornik ostrza

Wspornik ostrza zmniejsza ryzyko wygięcia wału silnika. Jeśli ostrze uderza w jakikolwiek obiekt, porusza się tak, aby dotykało wspornika ostrza. Ruch ten powoduje zużycie powierzchni wspornika ostrza. Zużycie wykazuje, że ochrona wału silnika funkcjonuje prawidłowo.

Tłumik

Tłumik ogranicza do minimum poziom hałasu i odprowadza spaliny poza strefę pracy operatora.

Nie używać produktu, jeśli tłumik nie jest zamontowany lub jest uszkodzony. Uszkodzony tłumik zwiększa poziom hałasu i ryzyko pożaru.



OSTRZEŻENIE: Tłumik nagrzewa się do wysokiej temperatury podczas użytkowania oraz gdy silnik pracuje na obrotach biegu jałowego, oraz pozostaje gorący przez pewien czas po wyłączeniu silnika. W przypadku zbliżenia się do łatwopalnych materiałów i/lub spalin należy zachować szczególną ostrożność, aby zapobiec pożarowi.

Sprawdzanie tłumika

- Przeprowadzać regularne kontrole tłumika, aby upewnić się, że jest prawidłowo zamontowany i sprawny.

Zasady bezpieczeństwa dotyczące paliwa



OSTRZEŻENIE: Przed rozpoczęciem użytkowania produktu przeczytać następujące ostrzeżenia.

- Nie uruchamiać produktu, jeśli znajduje się na nim paliwo lub olej silnikowy. Usunąć zabrudzenia paliwem/olejem i odczekać, aż produkt wyschnie.
- W przypadku rozlania paliwa na ubranie należy je natychmiast zmienić.
- Nie dopuścić do kontaktu paliwa z ciałem, ponieważ może to spowodować obrażenia. W przypadku kontaktu paliwa z ciałem należy użyć wody z mydłem w celu jego usunięcia.
- Nie uruchamiać maszyny, jeśli silnik jest nieszczelny. Regularnie sprawdzać silnik pod kątem nieszczelności.
- Zachować ostrożność przy pracy z paliwem. Paliwo jest łatwopalne, a jego opary mogą wybuchnąć, powodując obrażenia lub śmierć.
- Nie wdychać oparów paliwa, ponieważ może to być groźne dla zdrowia lub życia. Zapewnić odpowiednią wentylację.
- Nie palić tytoniu w pobliżu paliwa lub silnika.
- Nie umieszczać gorących przedmiotów w pobliżu paliwa lub silnika.
- Nie dolewać paliwa podczas pracy silnika.
- Przed tankowaniem upewnić się, że silnik jest zimny.
- Przed tankowaniem pomału odkręcić korek zbiornika paliwa i ostrożnie zwolnić ciśnienie.
- Nie dolewać paliwa do silnika w zamkniętym pomieszczeniu. Niewystarczający przepływ powietrza może doprowadzić do obrażeń lub śmierci na skutek uduszenia lub zatrucia tlenkiem węgla.
- Do końca dokręcić korek zbiornika paliwa. W przypadku braku dokręcenia korka zbiornika paliwa istnieje ryzyko powstania pożaru.
- Przed uruchomieniem należy przenieść produkt co najmniej 3 metry / 10 stóp od miejsca, w którym napełniany był zbiornik paliwa.

- Nie napełniać zbiornika paliwa całkowicie. Ciepło powoduje zwiększenie objętości paliwa. Pozostawić wolną przestrzeń na górze zbiornika.

Instrukcje bezpieczeństwa dotyczące konserwacji



OSTRZEŻENIE: Przed rozpoczęciem użytkowania produktu przeczytać następujące ostrzeżenia.

- Spaliny z silnika zawierają tlenek węgla, który jest bezwonnym, trującym i niebezpiecznym gazem. Nie należy uruchamiać silnika wewnątrz pomieszczeń lub w zamkniętych przestrzeniach.
- Przed rozpoczęciem konserwacji produktu wyłączyć silnik i odłączyć przewód zapłonowy ze świecy zapłonowej.
- W trakcie konserwacji narzędzi tnących należy korzystać z rękawic ochronnych. Ostrze jest bardzo ostre i może łatwo doprowadzić do skaleczenia.
- Niezatwierdzone przez producenta akcesoria i modyfikacje maszyny mogą spowodować poważne obrażenia lub śmierć. Nie należy modyfikować maszyny. Należy korzystać wyłącznie z akcesoriów zatwierdzonych do użytku przez producenta.
- W przypadku nieprawidłowo lub nieregularnie przeprowadzanej konserwacji wzrasta ryzyko obrażeń oraz uszkodzenia produktu.
- Konserwację należy przeprowadzać wyłącznie w sposób określony w instrukcji użytkownika. Wszelkie prace serwisowe muszą być wykonywane przez zatwierdzonego serwis Husqvarna.
- Należy dopilnować przeprowadzania regularnej konserwacji maszyny przez autoryzowany serwis Husqvarna.
- Wymienić uszkodzone, zużyte lub zniszczone części.

Montaż

Wstęp



OSTRZEŻENIE: Przed złożeniem produktu należy przeczytać ze zrozumieniem rozdział poświęcony bezpieczeństwu.



OSTRZEŻENIE: Przed rozpoczęciem montażu produktu odłączyć przewód świecy zapłonowej od świecy zapłonowej.

Montaż i regulacja uchwytu

1. Wymontować nakrętkę uchwytu oraz podkładkę z płyty na górnym uchwycie.
2. Ustawić górny uchwyt w pozycji na górnej części dolnego uchwytu.



UWAGA: Sprawdzić, czy przewody nie zostały zablokowane i czy nie są uszkodzone.

3. Przymocować podkładkę i nakrętkę uchwytu. (Rys. 18)

4. Podczas użytkowania produktu przy ścianie należy obrócić uchwyt na bok, aby ustawić go w odpowiedniej pozycji roboczej. (Rys. 19)
5. Obrócić pokrętki regulacyjne na podwoziu w celu wyregulowania uchwytu w pionie. (Rys. 20)

Montaż wkładki mulczącej (KLIPPO LB 448S, KLIPPO LB 448SQ, KLIPPO LB 548SQe)

1. Przechylić produkt do tyłu tak, aby świeca zapłonowa znajdowała się na górze.

2. Włożyć trzpień wkładki mulczącej w otwory od wewnętrznej strony osłony modułu tnącego. (Rys. 21)
3. Wkręcić śruby wkładki mulczącej od zewnętrznej strony osłony modułu tnącego. (Rys. 22)

Przeznaczenie

Wstęp



OSTRZEŻENIE: Przed użyciem urządzenia należy przeczytać ze zrozumieniem rozdział poświęcony bezpieczeństwu.

Husqvarna Connect

Husqvarna Connect to darmowa aplikacja na urządzenia mobilne. Husqvarna ConnectHusqvarna

- Extended product information.
- Information about, and help with, product parts and servicing.

Rozpoczęcie użytkowania Husqvarna Connect

1. Pobierz aplikację Husqvarna Connect na swoim urządzeniu mobilnym.
2. Zarejestruj się w aplikacji Husqvarna Connect.
3. Wykonaj instrukcje wyświetlane w aplikacji Husqvarna Connect, aby nawiązać połączenie i zarejestrować produkt.

Przed użyciem urządzenia

1. Należy dokładnie i ze zrozumieniem zapoznać się z treścią niniejszej instrukcji.
2. Należy sprawdzić narzędzia tnące, aby upewnić się, że są one prawidłowo zamontowane i wyregulowane. Patrz *Kontrola osprzętu tnącego na stronie 259*.
3. Napełnić zbiornik paliwa. Patrz *Uzupełnianie paliwa na stronie 256*.
4. Napełnić zbiornik oleju i wykonać kontrolę poziomu oleju. Patrz *Kontrola poziomu oleju na stronie 259*.

Uzupełnianie paliwa

Jeśli to możliwe, należy korzystać z niskoemisyjnej benzyny alkilatowej. W przypadku braku dostępności niskoemisyjnej benzyny alkilatowej należy korzystać z dobrej jakości benzyny bezołowiowej lub benzyny ołowiowej o liczbie oktanowej nie niższej niż 90.



UWAGA: Nie używać benzyny o liczbie oktanowej niższej niż 90 RON (87 AKI). Niezastosowanie się do tego zalecenia może spowodować uszkodzenie produktu.

1. Powoli utworzyć korek wlewowy w celu wyrównania ciśnienia.
2. Powoli napełniać zbiornik paliwa. W przypadku rozlania paliwa należy je usunąć przy użyciu ścierki i pozwolić na wyschnięcie pozostałego paliwa. (Rys. 23)
3. Oczyścić korek wlewowy i powierzchnię wokół niego.
4. Do końca dokręcić korek zbiornika paliwa. W przypadku braku dokręcenia korka zbiornika paliwa istnieje ryzyko powstania pożaru.
5. Przed uruchomieniem należy przenieść maszynę co najmniej 3 metry od miejsca, w którym napełniany był zbiornik paliwa.

Regulacja wysokości koszenia

Można ustawiać 6 różnych wysokości koszenia.

1. Przesunąć dźwignię wysokości koszenia do przodu w celu zwiększenia wysokości koszenia.
2. Przesunąć dźwignię wysokości koszenia do tyłu w celu zmniejszenia wysokości koszenia.



UWAGA: Nie należy ustawiać zbyt niskiej wysokości koszenia. Ostrza mogą uderzyć w podłoże, jeśli powierzchnia trawnika nie jest równa.

Uruchamianie maszyny

1. Należy upewnić się, że przewód zapłonowy jest połączony ze świecą zapłonową.
2. Otwórz zawór paliwa. (Rys. 24)
3. Należy pozostawać za maszyną.
4. Przytrzymać dźwignię hamulca silnika przy drążku sterującym. (Rys. 25)

- Należy trzymać rączkę linki rozrusznika prawą dłonią.
- Powoli pociągnąć za linkę rozrusznika do poczucia oporu.
- Pociągnąć, używając odpowiedniej siły, aby uruchomić silnik.



OSTRZEŻENIE: Nie owijaj linki rozrusznika wokół dłoni.



UWAGA: Nie wyciągać całkowicie linki rozrusznika. Nie puszczać uchwytu linki rozrusznika, gdy jest wyciągnięta.

Korzystanie z napędu kół

- Wcisnąć dźwignię sterowania. (Rys. 26)
- Przed pociągnięciem maszyny do tyłu należy odłączyć napęd i popchnąć maszynę do przodu o około 10cm.
- Nieznacznie zwolnić dźwignię hamulca silnika, aby odłączyć napęd na przykład w sytuacji zbliżania się do przeszkody.

Wyłączanie produktu

- Aby zatrzymać tylko napęd, należy nieznacznie zwolnić dźwignię hamulca silnika.

- Aby zatrzymać silnik, należy całkowicie zwolnić dźwignię hamulca silnika.
- Zamknij zawór paliwa. (Rys. 27)

Uzyskiwanie dobrych rezultatów

- Używać zawsze dobrze naostrzonych ostrzy. Stępione ostrze daje nierównomierne rezultaty, a ścinana powierzchnia żółknie. Naostrzone ostrze zużywa również mniej energii niż ostrze stępione.
- Nie należy kosić więcej niż 1/3 długości trawy. Najpierw należy kosić przy użyciu dużej wysokości koszenia. Zbadać rezultaty i obniżyć wysokość koszenia do odpowiedniego poziomu. Jeśli trawa jest bardzo długa, w razie konieczności należy przejechać powoli i ścinać dwukrotnie.
- Kosić za każdym razem w różnych kierunkach, aby uniknąć powstawania pasów na trawniku.
- Utrzymywać osłonę zespołu tnącego w czystości. Nagromadzenie trawy i zanieczyszczeń po wewnętrznej stronie osłony zespołu tnącego może zmniejszyć efekt koszenia. Patrz *Czyszczenie maszyny od zewnątrz na stronie 258*.

Przegląd

Wstęp



OSTRZEŻENIE: Przed przeprowadzeniem konserwacji należy przeczytać i zrozumieć rozdział o bezpieczeństwie.

Do wykonywania wszelkich prac serwisowych i naprawczych konieczne jest specjalistyczne przeszkolenie. Gwarantujemy dostępność profesjonalnych napraw i usług serwisowych. Jeśli dany dealer nie jest autoryzowanym punktem serwisowym, poprosz sprzedawcę o informacje na temat najbliższego autoryzowanego punktu serwisowego.

Aby uzyskać więcej szczegółowych informacji, patrz www.husqvarna.com.

Plan konserwacji

Odstępy pomiędzy konserwacjami obliczane są w oparciu o codzienne wykorzystanie produktu. Odstępy te ulegają zmianie, jeśli maszyna nie jest użytkowana codziennie.

W przypadku konserwacji oznaczonych gwiazdką *, patrz instrukcje w *Zespoły zabezpieczające na produkcie na stronie 254*.

Konserwacja	Codziennie	Co tydzień	Co miesiąc
Przeprowadzenie ogólnego przeglądu	X		
Kontrola poziomu oleju	X		
Czyszczenie urządzenia	X		
Sprawdzić filtr powietrza	X		
Kontrola osprzętu tnącego	X		

Konserwacja	Codziennie	Co tydzień	Co miesiąc
Sprawdzanie osłony cięcia*	X		
Kontrola dźwigni hamulca silnikowego*	X		
Kontrola tłumika*		X	
Kontrola świecy zapłonowej		X	
Skontrolować pasek napędowy pod kątem uszkodzeń			X
Wyczyścić obudowę przekładni			X
W przypadku KLIPPO LB 448S, KLIPPO LB 453S. Wymienić olej (pierwszy raz po 5 godzinach użytkowania, następnie co 25 godzin i co roku)			X
W przypadku KLIPPO LB 448SQ, KLIPPO LB 453SQ, KLIPPO LB 548SQe. Wymienić olej (pierwszy raz po 5 godzinach użytkowania, następnie co 100 godzin i co roku)			X
Wymienić filtr powietrza			X
Kontrola układu paliwowego			X
Kontrola i regulacja napędu (linka sprzęgła)			X

Przegląd ogólny

- Należy upewnić się, że wszystkie nakrętki i śruby maszyny są odpowiednio dokręcone.

Czyszczenie maszyny od zewnątrz

- W celu usunięcia liści, trawy i brudu należy użyć szczotki.
- Należy upewnić się, że wlot powietrza zlokalizowany nad silnikiem nie jest zablokowany.
- Nie używać myjek wysokociśnieniowych do czyszczenia urządzenia.
- Jeśli do czyszczenia maszyny używana jest woda, nie należy polewać nią bezpośrednio silnika.

Czyszczenie powierzchni wewnętrznej osłony modułu tnącego

- Położyć maszynę na boku przy tłumiku skierowanym ku dołowi.



UWAGA: Jeśli maszyna położona zostanie ze skierowanym do dołu filtrem powietrza, może dojść do uszkodzenia silnika.

- Należy spłukać powierzchnie wewnętrzne osłony osprzętu tnącego wodą.

Kontrola paska napędowego i czyszczenie osłony przekładni

- Wykręcić 4 śruby na osłonie paska i zdjąć osłonę paska. (Rys. 28)

- Sprawdzić pasek napędowy i koło pasowe pod kątem uszkodzeń.
- Użyć szczotki do usunięcia liści, trawy i brudu z obudowy przekładni. (Rys. 29)

Wymiana i regulacja paska napędowego

- Wykręcić 4 śruby na osłonie paska i zdjąć osłonę paska. (Rys. 28)
- Umieścić płaski śrubokręt między kołpakiem a kołem na prawym przednim kole produktu.
- Ostrożnie obrócić śrubokręt, aby wymontować kołpak.
- Odkręcić śrubę mocującą koło i zdjąć koło. (Rys. 30)
- Zdjąć pasek napędowy z kół pasowych.
- Upewnić się, że koła pasowe poruszają się swobodnie na osi.
- W razie potrzeby nanieść olej penetrujący pomiędzy oraz za koła pasowe i nasmarować osie.
- Zamontować nowy pasek napędowy i zamocować go prawidłowo na łożysku kulkowym przed wyregulowaniem paska napędowego. (Rys. 31)
- Przesunąć łożysko kulkowe w górę lub w dół w celu wyregulowania paska napędowego. (Rys. 32)

Uwaga: Nowy pasek napędowy wydłuża się w miarę użycia. Wyregulować ponownie pasek napędowy po paru godzinach pracy.

- Przymocować osłonę paska.

11. Użyć maszyny, aby upewnić się, że pasek napędowy jest prawidłowo zamontowany i wyregulowany.

Wymiana i regulacja paska środkowego

1. Zdjąć ostrze.

Uwaga: Krok ten nie jest potrzebny w przypadku samej regulacji paska środkowego.

2. Poluzować śruby regulacyjne o parę obrotów, ale nie wykręcać ich. (Rys. 33)
3. Wymienić pasek środkowy i z umiarkowaną siłą dokręcić śruby regulacji.

Uwaga: Krok ten nie jest potrzebny w przypadku samej regulacji paska środkowego.

4. Przesunąć przekładnię do przodu lub do tyłu, aby wyregulować pasek środkowy. (Rys. 34)
5. Użyć podziałki w celu sprawdzenia napięcia paska środkowego. Pasek ma prawidłowe napięcie, gdy na środku porusza się w zakresie 6–10 mm. Odpowiada to naciągowi o wartości ok. 3 kg. (Rys. 35)
6. Dokręcić całkowicie śruby regulacji momentem 3 Nm.
7. Użyć maszyny, aby upewnić się, że pasek napędowy jest prawidłowo zamontowany i wyregulowany.

Kontrola osprzętu tnącego



OSTRZEŻENIE: Aby zapobiec przypadkowemu uruchomieniu, należy odłączyć przewód zapłonowy od świecy zapłonowej.



OSTRZEŻENIE: W trakcie konserwacji narzędzi tnących należy korzystać z rękawic ochronnych. Ostrze jest bardzo ostre i może łatwo doprowadzić do skaleczenia.

1. Należy skontrolować, czy osprzęt tnący nie jest uszkodzony bądź pęknięty. Zawsze wymieniać uszkodzony osprzęt tnący.
2. Obejrzeć ostrze i upewnić się, że nie jest uszkodzone lub stępione.

Uwaga: Po ostrzeniu ostrze należy wypoziomować. Ostrzenie, wymiana i poziomicowanie ostrza winno zostać przeprowadzone przez centrum serwisowe. W przypadku uderzenia w przeszkodę, która zatrzymuje maszynę, należy wymienić uszkodzone ostrze.

Pozwolić, aby przedstawiciel serwisowy oszacował, czy ostrze można naostrzyć czy wymienić.

Wymiana noża

1. Zablokować nóż przy użyciu drewnianego bloku. (Rys. 36)
2. Wykręcić śrubę noża, wyjąć podkładkę sprężynową i nóż. (Rys. 37)
3. Skontrolować wspornik noża oraz śrubę noża pod kątem uszkodzeń.
 - a) Podczas wymiany noża lub wspornika noża należy również wymienić śrubę noża, podkładkę sprężynową i podkładkę cierną.
4. Skontrolować wał silnika, aby upewnić się, że nie jest zgięty.
5. Podczas mocowania nowego noża należy skierować zakrzywione końce noża ku osłonie modułu tnącego. (Rys. 38)
6. Umieścić podkładkę cierną i nóż tak, aby dotykały wspornika ostrza. (Rys. 39)
7. Upewnić się, że nóż jest wyrównany względem środka wału silnika. (Rys. 40)
8. Zablokować nóż przy użyciu drewnianego bloku. (Rys. 41)
9. Zamocować podkładkę sprężynową i dokręcić śrubę momentem dokręcania wynoszącym 80 Nm. (Rys. 42)
10. Obracać nożem za pomocą ręki i sprawdzić, czy obraca się swobodnie.



OSTRZEŻENIE: Stosować rękawice ochronne. Nóż jest bardzo ostry i może łatwo doprowadzić do skaleczenia.

11. Uruchomić maszynę w celu przetestowania noża. Jeśli nóż nie został zamontowany prawidłowo, maszyna będzie wibrować lub rezultaty koszenia będą niezadowolające.

Kontrola poziomu oleju



UWAGA: Za niski poziom oleju może doprowadzić do poważnego uszkodzenia silnika. Przed uruchomieniem maszyny należy skontrolować poziom oleju.

1. Postawić maszynę na równym podłożu.
2. Odkręcić korek zbiornika oleju z zamocowanym wskaźnikiem prętowym.
3. Zetrzeć olej z prętowego wskaźnika poziomu oleju.
4. Włożyć prętowy wskaźnik całkowicie do zbiornika oleju. Dokręcić korek zbiornika oleju, aby sprawdzić rzeczywisty poziom oleju.
5. Wyjąć prętowy wskaźnik poziomu oleju.

6. Sprawdzić poziom oleju na wskaźniku prętowym.
7. Jeśli poziom oleju jest zbyt niski, napędzić zbiornik olejem silnikowym i wykonać ponowną kontrolę poziomu oleju.

(Rys. 43)

Uwaga: Użyć lejka, aby uniknąć rozlania.

Wymiana oleju silnikowego



OSTRZEŻENIE: Olej silnikowy jest niezwykle gorący bezpośrednio po wyłączeniu silnika. Począkać na ostygnięcie silnika przed spuszczeniem oleju silnikowego. W przypadku rozlania oleju silnikowego na skórę, zmyć go wodą z mydłem.

(Rys. 44)

1. Odłączyć przewód zapłonowy od świecy zapłonowej.
2. Odkręcić korek zbiornika oleju.
3. Spuścić olej silnikowy.
 - a) W przypadku modeli z korkiem spustowym oleju: Umieścić pod korkiem spustowym oleju pojemnik, do którego zebrany zostanie olej silnikowy.
 - b) W przypadku modeli bez korka spustowego oleju lub gdy nie jest możliwe umieszczenie pojemnika pod korkiem spustowym oleju: Spuścić olej silnikowy ze zbiornika oleju za pomocą pompki do spuszczenia oleju (akcesorium).
4. Napędzić nowym olejem silnikowym zgodnym z zaleceniami zawartymi w *Dane techniczne na stronie 262*.
5. Skontrolować poziom oleju. Patrz *Kontrola poziomu oleju na stronie 259*.

Filtr powietrza

Uwaga: Całkowite oczyszczenie filtra po długim okresie użytkowania nie jest możliwe. Należy wymieniać filtr powietrza w równomiernych odstępach czasu. Zawsze wymieniać uszkodzony filtr powietrza.

Demontaż i montaż filtra powietrza (KLIPPO LB 488SQ, KLIPPO LB 453SQ, KLIPPO LB 548Qe)



OSTRZEŻENIE: Stosować rękawice ochronne.

1. Wcisnąć zaciski na pokrywie filtra powietrza.

2. Ostrożnie wymontować pokrywę filtra powietrza (A) z silnika.
3. Wymontować filtr powietrza (B) i filtr piankowy (C). (Rys. 45)
4. Sprawdzić filtr powietrza pod kątem uszkodzeń. Uszkodzony filtr powietrza należy wymienić.
5. Wyczyścić i sprawdzić filtr powietrza. Patrz *Czyszczenie filtra powietrza (KLIPPO LB 448SQ, KLIPPO LB 453SQ, KLIPPO LB 548Qe) na stronie 260*.
6. Zamontować w odwrotnej kolejności.


Czyszczenie filtra powietrza (KLIPPO LB 448SQ, KLIPPO LB 453SQ, KLIPPO LB 548Qe)



UWAGA: Nie uruchamiać silnika bez zamontowanego filtra powietrza i w przypadku, gdy filtr powietrza jest brudny.



UWAGA: Wymienić filtr powietrza, jeżeli nie może on być całkowicie oczyszczony lub jeśli jest uszkodzony. Uszkodzony filtr powietrza powoduje uszkodzenia silnika.

1. Wcisnąć zaczepy blokujące (A), zdjąć pokrywę filtra powietrza (B) i wyjąć filtr powietrza (C). (Rys. 46)
 2. Uderzyć filtrem o twardą powierzchnię lub przedmuchać filtr sprężonym powietrzem od jego czystej strony.
-
-  **UWAGA:** Nie używać szczotki do usuwania brudu, ponieważ powoduje to wepchnięcie brudu do filtra.
3. Oczyszczyć uchwyt filtra powietrza (D) i pokrywę filtra powietrza wilgotną szmatką.



UWAGA: Upewnić się, że brud nie dostaje się do kanału powietrznego (E).

4. Zamontować filtr powietrza. Upewnić się, że filtr powietrza ściśle przylega do uchwyty filtra powietrza.
5. Zamontować pokrywę filtra powietrza, zaczynając od dolnych zaczepów.

Czyszczenie filtra powietrza (KLIPPO LB 448S, KLIPPO LB 453S)



UWAGA: Nie uruchamiać silnika bez zamontowanego filtra powietrza i w przypadku, gdy filtr powietrza jest brudny.



UWAGA: Wymienić filtr powietrza, jeżeli nie może on być całkowicie oczyszczony lub jeśli jest uszkodzony. Uszkodzony filtr powietrza powoduje uszkodzenia silnika.

1. Wcisnąć zaczepy blokujące (A), zdjąć pokrywę filtra powietrza (B) i wyjąć filtr powietrza (C). (Rys. 47)
2. Uderzyć filtrem o twardą powierzchnię lub przedmuchać filtr sprężonym powietrzem od jego czystej strony.



UWAGA: Nie używać szczotki do usuwania brudu, ponieważ powoduje to wpechnięcie brudu do filtra.

3. Oczyszczyć uchwyt filtra powietrza (D) i pokrywę filtra powietrza wilgotną szmatką.



UWAGA: Upewnić się, że brud nie dostaje się do kanału powietrznego (E).

4. Zamontować filtr powietrza. Upewnić się, że filtr powietrza ściśle przylega do uchwytu filtra powietrza.
5. Zamontować pokrywę filtra powietrza, zaczynając od dolnych zaczepów.

Sprawdzanie świecy zapłonowej



UWAGA: Stosuj wyłącznie świece zapłonowe zalecane przez producenta. Niewłaściwy typ świecy zapłonowej może spowodować uszkodzenie produktu.

- Sprawdzić świecę zapłonową, jeśli silnik ma za małą moc, trudno go uruchomić lub nie działa prawidłowo na biegu jałowym.

- Aby zmniejszyć ryzyko przedostawania się niepożądanych materiałów na elektrody świecy zapłonowej, należy przestrzegać poniższych instrukcji:

- a) Dopilnować, by obroty biegu jałowego zostały prawidłowo wyregulowane.
- b) Dopilnować, aby używana była odpowiednia mieszanka paliwowa.
- c) Zadbaj o czystość filtra powietrza.

- Jeśli świeca zapłonowa jest zabrudzona, należy ją wyczyścić i upewnić się, że odstęp między elektrodami jest prawidłowy, patrz *Dane techniczne na stronie 262*. (Rys. 48)
- W razie potrzeby wymienić świecę zapłonową.

Kontrolowanie instalacji paliwowej

- Skontrolować korek zbiornika paliwa oraz uszczelkę korka zbiornika paliwa w celu upewnienia się, że nie występują żadne uszkodzenia.
- Skontrolować przewód paliwowy w celu upewnienia się, że nie przecieka. W przypadku uszkodzenia przewodu paliwowego zlecić jego wymianę przedstawicielowi serwisowemu.

Regulacja linki sprzęgła

Jeśli napęd wydaje się działać powoli, konieczne będzie wyregulowanie linki sprzęgła.

- Obrócić śrubę regulacyjną. (Rys. 49)

Linka sprzęgła jest prawidłowo wyregulowana, gdy jej wspornik jest wyrównany z nakrętką.

(Rys. 50)

Transport, przechowywanie i utylizacja

Transport i przechowywanie

- W zakresie przechowywania i transportu maszyny i paliwa należy upewnić się, że nie ma żadnych przecieków ani nie wydostają się z urządzenia żadne opary. Iskry lub otwarty płomień pochodzące, na przykład, z urządzeń elektrycznych lub kotłów, mogą wzniecić pożar.
- Zawsze należy korzystać z zatwierdzonych pojemników do przechowywania i transportu paliwa.
- Opróżnić zbiornik paliwa przed odłożeniem maszyny na dłuższy okres. Utylizacja paliwa w odpowiednim miejscu
- Podczas transportu, w celu zapobieżenia uszkodzeniom i wypadkom, maszynę należy bezpiecznie zamocować.
- Maszynę należy przechowywać w zamkniętym obszarze w celu uniemożliwienia dzieciom lub

nieupoważnionym osobom uzyskania do niej dostępu.

- Produkt przechowywać w suchym obszarze nie narażonym na przymrozki.

Utylizacja

- Przestrzegać lokalnych wymogów dotyczących recyklingu oraz obowiązujących przepisów.
- Zutylizować wszelkie środki chemiczne, takie jak olej silnikowy i paliwo, w centrum serwisowym lub w odpowiednim miejscu utylizacji.
- Gdy produkt nie jest już użytkowany, należy go odesłać Husqvarna do dealera lub zutylizować w centrum utylizacji.

Dane techniczne

Dane techniczne

	KLIPPO LB 448S	KLIPPO LB 448SQ	KLIPPO LB 453S	KLIPPO LB 453SQ	KLIPPO LB 548SQe
Silnik					
Marka	Honda	Husqvarna	Honda	Husqvarna	Husqvarna
Model	GCVX-145	HS 166AP	GCVx-170	HS 166AP	HS 166AP
Typ silnika	Jednocylindrowy, 4-suwowy, wymuszony obieg powietrza chłodzącego, OHV	Jednocylindrowy, 4-suwowy, wymuszony obieg powietrza chłodzącego, OHV	Jednocylindrowy, 4-suwowy, wymuszony obieg powietrza chłodzącego, OHV	Jednocylindrowy, 4-suwowy, wymuszony obieg powietrza chłodzącego, OHV	Jednocylindrowy, 4-suwowy, wymuszony obieg powietrza chłodzącego, OHV
Pojemność, cm ³	145	166	166	166	166
Prędkość, obr./min	2900	2900	2900	2900	2900
Nominalna moc wyjściowa silnika (kW) ⁹¹	2,7	2,75	3,3	2,75	2,75
Układ zapłonowy					
Świeca zapłonowa	NGK BPR5ES	Husqvarna HQT-7	NGK BPR5ES	Husqvarna HQT-7	Husqvarna HQT-7
Odstęp między elektrodami, w mm	0,7–0,8	0,7–0,8	0,7–0,8	0,7–0,8	0,7–0,8
Układ zasilania/smarowania					
Metoda smarowania silnika	Rozprysk	Rozprysk	Rozprysk	Rozprysk	Rozprysk
Pojemność zbiornika paliwa, litry	0,9	1,5	0,9	1,5	1,5
Pojemność zbiornika oleju, w litrach	0,5	0,5	0,55	0,5	0,5
Olej silnikowy ⁹²	Husqvarna SAE 30	Husqvarna SAE 30	Husqvarna SAE 30/SAE 10W-30	Husqvarna SAE 30/SAE 10W-30	Husqvarna SAE 30/SAE 10W-30
Waga					
Z pustymi zbiornikami, kg	30,5	32,5	33	33,5	34,5

⁹¹ Moc silnika podana jest jako średnia, wyjściowa moc znamionowa (przy podanych obrotach) dla typowego modelu produkowanego silnika zmierzonego wg normy SAE J1349/ISO1585. Silniki produkowane masowo mogą odbiegać od tej wartości. Aktualna moc wyjściowa zainstalowanego na maszynie silnika zależeć będzie od prędkości obrotowej, warunków otoczenia oraz innych wartości.

⁹² Jeśli olej SAE-30 jest stosowany w temperaturze poniżej +5°C, istnieje ryzyko, że silnik nie będzie odpowiednio smarowany. Może to doprowadzić do uszkodzenia silnika. Patrz *Wymiana oleju silnikowego na stronie 260*, aby uzyskać informacje na temat oleju odpowiedniego dla niskich temperatur.

	KLIPPO LB 448S	KLIPPO LB 448SQ	KLIPPO LB 453S	KLIPPO LB 453SQ	KLIPPO LB 548SQe
Poziom hałasu ⁹³					
Zmierzony poziom mocy akustycznej, dB(A)	90	93	91	94	92
Poziom głośności, gwarantowana moc akustyczna L _{WA} dB(A)	91	93	94	95	93
Poziomy głośności ⁹⁴					
Poziom ciśnienia akustycznego przy uchu operatora, dB(A)	77	79	78	81	79
Poziomy wibracji a_{hveq} ⁹⁵					
Uchwyt, m/s ²	4,5	4,2	5,3	6,4	4,0
Osprzęt tnący					
Wysokość koszenia, mm	30–60	30–60	30–60	30–60	30–60
Szerokość koszenia, mm	480	480	530	530	480
Nóż	Mulczujący — 48 cm	Mulczujący — 48 cm	Mulczujący — 53 cm	Mulczujący — 53 cm	Mulczujący — 48 cm
	5028813-10	5028813-10	5028814-10	5028814-10	5028813-10
Napęd					
Prędkość, km/h	4,5	4,5	4,5	4,5	4,5

⁹³ Emisję hałasu do otoczenia zmierzono jako moc akustyczną (L_{WA}), zgodnie z dyrektywą Rady 2000/14/WE.

⁹⁴ Poziom ciśnienia akustycznego zgodnie z normą ISO 5395. Odnotowane dane dla ciśnienia akustycznego mają typowe rozproszenie statystyczne (odchylenie standardowe) w wysokości 1,2 dB (A).

⁹⁵ Poziomy wibracji zgodnie z normą ISO 5395. Odnotowane dane dla poziomu wibracji mają typowe rozproszenie statystyczne (odchylenie standardowe) w wysokości 0,2 m/s².

Deklaracja zgodności

Deklaracja zgodności UE

Firma **Husqvarna AB**, SE-561 82 Huskvarna,
Szwecja, tel.: +46-36-146500, deklarujemy z pełną
odpowiedzialnością, że produkt:

Opis	Kosiarka
Marka	Husqvarna
Typ/model	KLIPPO LB 448S, KLIPPO LB 453S, KLIPPO LB 448SQ, KLIPPO LB 453SQ, KLIPPO LB 548SQe
Identyfikacja	Numery seryjne z roku 2022 i nowsze

spełnia wszystkie wymogi określone w odpowiednich
dyrektywach i przepisach UE:

Dyrektywa/przepis	Opis
2006/42/WE	„w sprawie maszyn”
2014/30/UE	„dotycząca zgodności elektromagnetycznej”
2000/14/WE	„dotycząca emisji hałasu do środowiska”
2011/65/UE	„dotycząca ograniczenia użycia niektórych substancji niebezpiecznych w sprzęcie elektrycznym i elektronicznym”

oraz został zaprojektowany zgodnie z następującymi
normami i specyfikacjami technicznymi: EN ISO
5395-1:2013/A1:2018, EN ISO 5395-2:2013/A1:2016/
A2:2017, EN ISO 14982:2009, EN IEC 63000:2018.

Jednostka notyfikowana: 0404, RISE SMP Svensk
Maskinprovning AB, Box 4053, SE-904 03 Umeå,
Sweden. potwierdza zgodność z dyrektywą rady
2000/14/WE, procedura oceny zgodności: Załącznik VI.

Informacje dotyczące emisji hałasu, patrz *Dane
techniczne na stronie 262*.

Huskvarna, 2023-02-07

Claes Losdal, Szef ds. Rozwoju Produkcji/Produkty
ogrodowe, Husqvarna AB

Osoba odpowiedzialna za dokumentację techniczną



ÍNDICE

Introdução.....	265	Manutenção.....	271
Segurança.....	266	Transporte, armazenamento e eliminação.....	275
Montagem.....	269	Especificações técnicas.....	275
Funcionamento.....	270	Declaração de conformidade.....	278

Introdução

Descrição do produto

O produto é um corta-relva giratório de controlo apeado que utiliza BioClip® para cortar a relva e torná-la em fertilizante.

Vista geral do produto

(Fig. 1)

1. Punho/barra de direção
2. Punho de travão do motor
3. Alavanca de transmissão
4. Punho do cabo de arranque
5. Tampão do óleo
6. Proteção da correia
7. Silenciador
8. Vela de ignição
9. Proteção da correia
10. Depósito de combustível
11. Alavanca para o ajuste do ângulo do punho
12. Sistema antivibração
13. Ajuste do cabo da embraiagem
14. Alavanca da altura de corte
15. Válvula de combustível
16. Filtro de ar
17. Tampa de corte
18. Arruela de pressão
19. Parafuso da lâmina
20. Lâmina
21. Suporte da lâmina
22. Tampão de trituração KLIPPO LB 448S, KLIPPO LB 448SQ, KLIPPO LB 548SQe
23. Manual do utilizador

Símbolos no produto

- (Fig. 2) AVISO: A utilização indevida ou incorreta poderá provocar ferimentos ou a morte do operador ou de terceiros.
- (Fig. 3) Leia o manual do utilizador com atenção e certifique-se de que compreende as instruções antes de utilizar o produto.
- (Fig. 4) Tenha cuidado com objetos projetados e ricochetes.

Finalidade

Utilize o produto para cortar a relva. Não utilize o produto para outras tarefas.

- (Fig. 5) Mantenha as pessoas e os animais a uma distância de segurança da área de trabalho.
- (Fig. 6) Desligue o motor e retire o cabo de ignição antes de realizar tarefas de reparação ou manutenção.
- (Fig. 7) Aviso: Mantenha as mãos e os pés afastados das peças rotativas.
- (Fig. 8) Aviso: Mantenha as mãos e os pés afastados da lâmina rotativa.
- (Fig. 9) Este produto está em conformidade com as diretivas aplicáveis da CE.
- (Fig. 10) Este produto está em conformidade com os regulamento aplicáveis do Reino Unido.
- (Fig. 11) O produto está em conformidade com as diretivas da União Aduaneira Eurasíatica aplicáveis. Válido apenas para o KLIPPO LB 448S & KLIPPO LB 453S.
- (Fig. 12) Emissão de ruído para a etiqueta ambiental de acordo com as diretivas e regulamentos da União Europeia e do Reino Unido e o regulamento "Protection of the Environment Operations (Noise Control) Regulation 2017" (regulamento de proteção de operações no meio ambiente [controlo do ruído] de 2017) da Nova Gales do Sul. O nível de potência sonora garantido do produto está especificado nas *Especificações técnicas na página 275* e na etiqueta.
- (Fig. 13) Código para leitura.

Nota: Os restantes símbolos/autocolantes no produto referem-se a requisitos legais específicos do mercado.

Autocolante no produto, apenas para a Austrália e Nova Zelândia

(Fig. 14)

Mantenha as mãos e os pés afastados da lâmina rotativa.

Emissões Euro V



ATENÇÃO: A adulteração do motor anula a aprovação deste produto pela UE.

Responsabilidade pelo produto

Como referido nas leis de responsabilidade pelo produto, não somos responsáveis por danos causados pelo nosso produto se:

- o produto tiver sido incorretamente reparado.
- o produto tiver sido reparado com peças que não sejam do fabricante ou que não sejam aprovadas pelo fabricante.
- o produto tiver um acessório que não seja do fabricante ou que não seja aprovado pelo fabricante.
- o produto não tiver sido reparado por um centro de assistência autorizado ou por uma autoridade aprovada.

Segurança

Definições de segurança

Os avisos, as precauções e as notas são utilizados para indicar partes especialmente importantes do manual.



ATENÇÃO: Utilizado no caso de existir risco de ferimento ou morte para o utilizador ou transeuntes, se não forem respeitadas as instruções do manual.



CUIDADO: Utilizado se existir risco de danos para o produto, para outros materiais ou para a área adjacente, se não forem respeitadas as instruções do manual.

Nota: Utilizado para disponibilizar informações adicionais necessárias numa determinada situação.

Instruções de segurança gerais



ATENÇÃO: Leia as instruções de aviso que se seguem antes de utilizar o produto.

- Este produto é perigoso se for utilizado de forma incorreta ou se não o utilizador for cuidadoso. Podem ocorrer ferimentos graves ou mesmo morte se as instruções de segurança não forem respeitadas.
- Este produto produz um campo eletromagnético durante o funcionamento. Em determinadas circunstâncias, este campo pode interferir com o funcionamento de implantes médicos ativos ou passivos. Para diminuir o risco de ferimentos graves ou mortais, recomendamos que os portadores de implantes médicos consultem o seu médico e o fabricante do implante antes de utilizar este produto.

- Seja sempre cuidadoso e use o seu senso comum. Se não tiver a certeza sobre como utilizar o produto numa situação especial, pare e fale com o seu distribuidor Husqvarna antes de continuar.
- Tenha em atenção que o utilizador é responsável pelos acidentes que incluam outras pessoas ou a respetiva propriedade.
- Mantenha o produto limpo. Certifique-se de que pode ler claramente os sinais e os autocolantes.
- Não permita que o produto seja utilizado por pessoas que não tenham lido e compreendido o conteúdo do manual do utilizador.
- Não deixe uma criança utilizar o produto.
- Mantenha as crianças afastadas da área de trabalho. Tem de estar sempre presente um adulto responsável.
- Não deixe que o produto seja utilizado por uma pessoa que não conhece as instruções.
- Monitorize sempre a utilização do produto por pessoas com diminuição da capacidade física ou mental. Tem de estar sempre presente um adulto responsável.
- Não utilize o produto se estiver cansado, doente ou sob a influência de álcool, drogas ou medicamentos. Estes têm um efeito negativo na sua visão, atenção, capacidade de discernimento ou controlo físico.
- Não utilize um produto que esteja danificado ou que não funcione corretamente.
- Não altere este produto e não o utilize se houver a possibilidade de ter sido alterado por outros.
- Não altere o ajuste do controlo da velocidade do motor.

Segurança no local de trabalho



ATENÇÃO: Leia as instruções de aviso que se seguem antes de utilizar o produto.

- Retire objetos como ramos, galhos e pedras da área de trabalho antes de utilizar o produto.
- Os objetos que embatam no equipamento de corte podem ser projetados e causar danos a pessoas e objetos. Mantenha terceiros e animais a uma distância de segurança do produto.
- Nunca utilize o produto em más condições meteorológicas, como nevoeiro, chuva, ventos fortes, frio intenso e risco de trovoada. A utilização do produto em más condições meteorológicas ou em localizações molhadas ou com humidade é cansativa. As más condições meteorológicas podem causar condições perigosas, como superfícies escorregadias.
- Observe se há pessoas, objetos e situações que possam impedir o funcionamento seguro do produto.
- Observe se há obstáculos como raízes, pedras, ramos, buracos e valas. A relva longa pode ocultar obstáculos.
- Cortar relva em declives pode ser perigoso. Não utilize o produto em terrenos com um declive superior a 15°.
- Utilize o produto ao longo da face dos declives. Não se desloque para cima e para baixo.
- Tenha cuidado ao aproximar-se de esquinas com pouca visibilidade e de objetos que possam impedir uma boa visibilidade.
- Nunca ligue o manípulo de travão do motor de modo permanente ao punho durante o arranque do motor.
- Coloque o produto numa superfície estável e plana e ligue-o. Certifique-se de que a lâmina não atinge o solo ou outros objetos.
- Mantenha-se sempre por trás do produto quando o operar.
- Mantenha todas as rodas no chão e as duas mãos sobre o punho quando utilizar o produto. Mantenha as mãos e os pés afastados das lâminas rotativas.
- Não incline o produto quanto ligar o motor.
- Tenha cuidado quando puxar o produto para trás.
- Nunca levante o produto quando ligar o motor. Se tiver de levantar o produto, desligue primeiro o motor e o cabo de ignição da vela de ignição.
- Não caminhe para trás quando operar o produto.
- Desligue o motor quando se deslocar em zonas sem relva, por exemplo caminhos de gravilha, pedra e asfalto.
- Não corra com o produto quando o motor está ligado. Caminhe sempre que operar o produto.
- Pare o motor antes de mudar a altura de corte. Nunca efetue ajustes com o motor ligado.
- Nunca deixe o produto fora de vista com o motor ligado. Pare o motor e certifique-se de que o equipamento de corte não roda.

Segurança do trabalho



ATENÇÃO: Leia as instruções de aviso que se seguem antes de utilizar o produto.

- Utilize este produto apenas para cortar relva. Não é permitido utilizá-lo para outras tarefas.
- Use equipamento de proteção pessoal. Consulte *Equipamento de proteção pessoal na página 267*.
- Certifique-se de que sabe como desligar o motor rapidamente em caso de emergência.
- Nunca ligue o motor num espaço fechado ou perto de material inflamável. Os gases de escape do motor são quentes e podem conter faíscas causadoras de incêndios.
- Não utilize o produto, a menos que a lâmina e todas as coberturas estejam corretamente montadas. Uma lâmina montada incorretamente pode soltar-se e causar ferimentos pessoais.
- Certifique-se de que a lâmina não atinge objetos como pedras e raízes. Isto pode causar danos à lâmina e dobrar o eixo do motor. Um eixo dobrado provoca fortes vibrações e um elevado risco de a lâmina se soltar.
- Se a lâmina atingir um objeto ou ocorrerem vibrações, pare o produto imediatamente. Desligue o cabo de ignição da vela de ignição. Examine se o produto apresenta sinais de danos. Repare os danos ou solicite a reparação numa oficina autorizada.

Instruções de segurança para funcionamento

Equipamento de proteção pessoal



ATENÇÃO: Leia as instruções de aviso que se seguem antes de utilizar o produto.

- O equipamento de proteção pessoal não previne totalmente os ferimentos mas diminui a respetiva gravidade em caso de acidente. Obtenha ajuda junto do seu concessionário para selecionar o equipamento certo.
- Utilize protetores acústicos se o nível de ruído for superior a 85 dB.
- Use botas ou sapatos antiderrapantes resistentes. Não use calçado aberto nem ande com os pés descalços.
- Use calças compridas e resistentes.
- Use luvas de proteção sempre que necessário, por exemplo, ao fixar, examinar ou limpar o equipamento de corte.

Dispositivos de segurança no produto



ATENÇÃO: Leia as instruções de aviso que se seguem antes de utilizar o produto.

- Não utilize um produto com dispositivos de segurança danificados ou que não funcionem corretamente.
- Verifique regularmente os dispositivos de segurança. Se os dispositivos de segurança estiverem danificados ou não funcionarem corretamente, contacte a sua oficina autorizada Husqvarna.
- Não faça modificações nos dispositivos de segurança.

Verificar a cobertura de corte

A cobertura de corte reduz as vibrações no produto e o risco de ferimentos causados pela lâmina.

- Examine a cobertura de corte para se certificar de que não existem danos, como fissuras.

Verificar a proteção da correia

A proteção da correia reduz o risco de ferimentos e garante que uma correia da transmissão partida não é ejetada.

- Certifique-se de que a proteção da correia não está danificada e que está devidamente montada. (Fig. 15)

Manípulo de travão do motor

O manípulo de travão do motor para o motor. Quando o manípulo de travão do motor é libertado, o motor para.

Para fazer uma inspeção do travão do motor, ligue o motor e, em seguida, liberte o respetivo manípulo do travão. Se o motor não parar em 3 segundos, solicite o ajuste do travão do motor numa oficina Husqvarna autorizada.

(Fig. 16)

Verificar o sistema antivibração



ATENÇÃO: A sobreexposição a vibrações pode provocar lesões arteriais ou nervosas a pessoas com má circulação sanguínea. Procure assistência médica se sentir sintomas de sobreexposição a vibrações. Exemplos desses sintomas são entorpecimento, ausência de tato, comichões, pontadas, dor, ausência ou redução da força normal, mudanças na cor da pele ou na sua superfície. Estes sintomas surgem normalmente nos dedos, nas mãos ou nos pulsos.

O sistema antivibração diminui a vibração no punho durante o funcionamento.

O tubo em aço na barra de direção e a cobertura de corte reduzem a vibração. O KLIPPO LB 548SQe também contém 4 unidades antivibração fixas na barra de direção.

- Examine a barra de direção e as unidades antivibração para garantir que não existem danos. (Fig. 17)

Suporte da lâmina

O suporte da lâmina reduz o risco do eixo do motor dobrar. Se a lâmina atingir um objeto, a lâmina desloca-se contra o suporte da lâmina. O movimento provoca desgaste na superfície do suporte da lâmina. O desgaste indica que a proteção do eixo do motor funciona corretamente.

Silenciador

O silenciador mantém o mais baixo nível de ruído possível e afasta os gases de escape do utilizador.

Não utilize o produto se o silenciador estiver danificado ou estiver em falta. Um silenciador danificado aumenta o nível de ruído e o risco de incêndio.



ATENÇÃO: O silenciador fica muito quente durante e após a utilização e quando o motor funciona ao ralenti. Tenha cuidado junto de materiais inflamáveis e/ou vapores para evitar incêndios.

Verificar o silenciador

- Examine o silenciador regularmente para se certificar de que está bem fixo e não está danificado.

Segurança no manuseamento do combustível



ATENÇÃO: Leia as instruções de aviso que se seguem antes de utilizar o produto.

- Não ligue o produto se houver combustível ou óleo do motor sobre o produto. Remova o combustível/ óleo indesejado e deixe o produto secar.
- Se derramar combustível na sua roupa, troque de roupa imediatamente.
- Não deixe que o combustível entre em contacto com o seu corpo, pois pode causar ferimentos. Se o combustível entrar em contacto com o seu corpo, use sabão e água para o remover.
- Não ligue o produto se o motor tiver uma fuga. Examine regularmente o motor quanto a fugas.
- Tenha cuidado com o combustível. O combustível é inflamável e os gases são explosivos e podem causar ferimentos ou morte.
- Não respire os gases do combustível, podem causar ferimentos. Certifique-se de que existe um fluxo de ar suficiente.
- Não fume perto de combustível ou do motor.
- Não coloque objetos quentes perto do combustível ou do motor.
- Não acrescente combustível com o motor em funcionamento.

- Certifique-se de que o motor está frio antes de reabastecer.
- Antes de reabastecer, abra lentamente a tampa do depósito de combustível e liberte a pressão com cuidado.
- Não adicione combustível ao motor numa área interior. O fluxo de ar insuficiente pode causar ferimentos ou morte devido a asfixia ou monóxido de carbono.
- Aperte completamente a tampa de depósito de combustível. Se a tampa de depósito de combustível não estiver apertada, existe um risco de incêndio.
- Desloque o produto a uma distância mínima de 3 m (10 pés) da posição onde abasteceu o depósito antes de começar.
- Não encha totalmente o depósito de combustível. O calor provoca a expansão do combustível. Mantenha um espaço na parte superior do depósito de combustível.
- Os gases de escape do motor contêm monóxido de carbono, um gás inodoro, tóxico e altamente perigoso. Não ligue o motor em zonas interiores ou em espaços fechados.
- Antes de proceder à manutenção do produto, desligue o motor e retire o cabo de ignição da vela de ignição.
- Use luvas de proteção quando realizar a manutenção do equipamento de corte. A lâmina é muito afiada e pode facilmente provocar cortes.
- A utilização de acessórios e a realização de alterações no produto que não sejam aprovadas pelo fabricante podem causar ferimentos graves ou morte. Não altere o produto. Utilize sempre acessórios que sejam aprovados pelo fabricante.
- Se a manutenção não for realizada de forma correta e regular, o risco de ferimentos e danos no produto aumenta.
- Realize apenas tarefas de manutenção indicadas neste manual do proprietário. Todas as outras operações de manutenção devem ser realizadas por uma oficina Husqvarna autorizada.
- Leve o produto regularmente a uma oficina Husqvarna autorizada para realizar a manutenção.
- Substitua as peças danificadas, gastas ou partidas.

Instruções de segurança para manutenção



ATENÇÃO: Leia as instruções de aviso que se seguem antes de utilizar o produto.

Montagem

Introdução



ATENÇÃO: Antes de montar o produto, tem de ler e compreender o capítulo sobre segurança.



ATENÇÃO: Retire o cabo da vela de ignição antes de montar o produto.

Montar e ajustar o punho

1. Remova a arruela e a porca do punho da placa do punho superior.
2. Coloque o punho superior na devida posição na parte superior do punho inferior.



CUIDADO: Certifique-se de que os fios não estão presos ou danificados.

3. Fixe a arruela e a porca do punho. (Fig. 18)
4. Rode o punho para o lado, para uma boa posição de funcionamento quando utilizar o produto perto de uma parede. (Fig. 19)
5. Rode as rodas de ajuste no chassis para ajustar o punho verticalmente. (Fig. 20)

Para montar o tampão de trituração (KLIPPO LB 448S, KLIPPO LB 448SQ, KLIPPO LB 548SQe)

1. Incline o produto para trás com a vela de ignição virada para cima.
2. Coloque os pinos do tampão de trituração nos orifícios a partir do lado interior da cobertura de corte. (Fig. 21)
3. Fixe os parafusos no tampão de trituração a partir do lado exterior da cobertura de corte. (Fig. 22)

Funcionamento

Introdução



ATENÇÃO: Antes de utilizar o produto, tem ler e compreender o capítulo sobre segurança.

Husqvarna Connect

A Husqvarna Connect é uma aplicação gratuita para o seu dispositivo móvel. A aplicação Husqvarna Connect disponibiliza funções alargadas para o seu produto Husqvarna:

- Informações alargadas sobre o produto.
- Informações sobre, e ajuda relacionada com peças e manutenção do produto.

Começar a utilizar Husqvarna Connect

1. Transfira a aplicação Husqvarna Connect para o seu dispositivo móvel.
2. Registe-se na aplicação Husqvarna Connect.
3. Siga os passos das instruções na aplicação Husqvarna Connect para ligar e registar o produto.

Antes de utilizar o produto

1. Leia o manual do utilizador com atenção e certifique-se de que compreende as instruções.
2. Examine o equipamento de corte para se certificar de que está corretamente montado e ajustado. Consulte o capítulo *Para examinar o equipamento de corte na página 273*.
3. Encha o depósito de combustível. Consulte o capítulo *Encher o depósito de combustível na página 270*.
4. Encha o depósito de combustível e verifique o nível do óleo. Consulte o capítulo *Verificar o nível do óleo na página 273*.

Encher o depósito de combustível

Se disponível, utilize gasolina com base em alquilatos/ecológica. Se não estiver disponível gasolina com base em alquilatos/ecológica, utilize gasolina sem chumbo de boa qualidade ou gasolina com chumbo com um índice de octanas de pelo menos 90.



CUIDADO: Não utilize gasolina com um índice de octanas inferior a 90 RON (87 AKI). Caso contrário, pode causar danos no produto.

1. Abra a tampa do depósito de combustível devagar para libertar a pressão.

2. Encha lentamente com um recipiente de combustível. Se derramar combustível, retire-o com um pano e deixe o combustível restante secar. (Fig. 23)
3. Limpe bem à volta da tampa do depósito de combustível.
4. Aperte completamente a tampa de depósito de combustível. Se a tampa de depósito de combustível não estiver apertada, existe um risco de incêndio.
5. Desloque o produto a uma distância mínima de 3 m (10 pés) da posição onde abasteceu o depósito antes de começar.

Definir a altura de corte

A altura de corte pode ser ajustada em 6 níveis.

1. Desloque a alavanca da altura de corte para a frente para aumentar a altura de corte.
2. Desloque a alavanca da altura de corte para trás para diminuir a altura de corte.



CUIDADO: Não regule a altura de corte demasiado baixa. As lâminas podem entrar em contacto com o solo se a superfície do relvado não estiver nivelada.

Para ligar o produto

1. Certifique-se de que o cabo de ignição está ligado à vela de ignição.
2. Abra a válvula de combustível. (Fig. 24)
3. Mantenha-se atrás do produto.
4. Segure o manípulo de travão do motor contra a barra de direção. (Fig. 25)
5. Segure o punho do cabo de arranque com a mão direita.
6. Puxe lentamente o cabo de arranque até sentir alguma resistência.
7. Puxe com força para fazer arrancar o motor.



ATENÇÃO: Não enrole o cabo de arranque na mão.



CUIDADO: Não estenda totalmente o cabo de arranque. Não solte o punho do cabo de arranque quando o cabo de arranque estiver estendido.

Utilizar a transmissão das rodas

- Empurre a alavanca de transmissão para baixo. (Fig. 26)

- Antes de puxar o produto para trás, desengate a transmissão e empurre o produto para a frente aproximadamente 10cm.
- Solte ligeiramente o punho de travão do motor para desengatar a transmissão, por exemplo quando se aproximar de um obstáculo.

Para desligar o produto

- Para parar apenas a transmissão, solte ligeiramente o punho de travão do motor.
- Para parar o motor, solte totalmente o punho de travão do motor.
- Feche a válvula de combustível. (Fig. 27)

Para obter bons resultados

- Utilize sempre uma lâmina bem afiada. Uma lâmina romba produz um resultado irregular e a superfície de corte da relva fica amarela. Uma lâmina afiada também gasta menos energia que uma lâmina romba.

- Não corte mais do que $\frac{1}{3}$ do comprimento da relva. Corte primeiro com a altura de corte alta. Examine o resultado e reduza a altura de corte para um nível aplicável. Caso a relva esteja muito comprida, avance lentamente e corte duas vezes, se necessário.
- Corte em diferentes direções de cada vez, para evitar a formação de linhas no relvado.
- Mantenha a cobertura de corte limpa. A acumulação de relva e sujidade no lado interior da cobertura de corte pode diminuir o resultado de corte. Consulte *Para limpar o produto externamente na página 272.*

Manutenção

Introdução



ATENÇÃO: Antes de efetuar a manutenção, tem de ler e compreender o capítulo sobre segurança.

É necessário ter formação especial para realizar qualquer tarefa de manutenção ou reparação. Garantimos a disponibilidade de reparações e manutenção profissionais. Se o seu distribuidor não for uma oficina autorizada, pergunte-lhe onde se situa a oficina autorizada mais próxima.

Para obter informações mais detalhadas, consulte www.husqvarna.com.

Esquema de manutenção

Os intervalos de manutenção são calculados a partir da utilização diária do produto. Os intervalos são alterados se o produto não for utilizado diariamente.

Para manutenção identificada com *, consulte as instruções em *Dispositivos de segurança no produto na página 267.*

Manutenção	Diariamente	Semanalmente	Mensalmente
Efetuar uma inspeção geral	X		
Examinar o nível do óleo	X		
Limpar o produto	X		
Limpe o filtro de ar	X		
Examinar o equipamento de corte	X		
Examinar a cobertura de corte*	X		
Examinar o manípulo de travão do motor*	X		
Examinar o silenciador*		X	
Examinar a vela de ignição		X	
Examinar a correia da transmissão quanto a danos			X
Limpar a caixa de engrenagem			X

Manutenção	Diariamente	Semanalmente	Mensalmente
Para KLIPPO LB 448S, KLIPPO LB 453S. Substituir o óleo (pela primeira vez após 5 horas de utilização, posteriormente, após cada 25 horas de utilização e anualmente)			X
Para KLIPPO LB 448SQ, KLIPPO LB 453SQ, KLIPPO LB 548SQe. Substituir o óleo (pela primeira vez após 5 horas de utilização, posteriormente, após cada 100 horas de utilização e anualmente)			X
Substitua o filtro de ar			X
Examinar o sistema de combustível			X
Examinar e ajustar a transmissão (cabo da embraiagem)			X

Para efetuar uma inspeção geral

- Certifique-se de que todas as porcas e os parafusos do produto estão apertados corretamente.

Para limpar o produto externamente

- Utilize uma escova para remover folhas, relva e sujidade.
- Certifique-se de que a entrada de ar na parte superior do motor não está bloqueada.
- Não utilize uma máquina de lavar à pressão para limpar o produto.
- Se utilizar água para limpar o produto, não verta água diretamente sobre o motor.

Para limpar a superfície interior da cobertura de corte

1. Coloque o produto de lado com o silenciador virado para baixo.



CUIDADO: Se o produto for colocado com o filtro de ar para baixo, o motor pode sofrer danos.

2. Utilize uma mangueira para enxaguar a superfície interna da cobertura de corte com água.

Examinar a correia da transmissão e limpar a caixa de engrenagem

1. Remova os 4 parafusos da proteção da correia e remova a mesma. (Fig. 28)
2. Examine se a correia da transmissão e a polia apresentam sinais de danos.
3. Utilize uma escova para remover folhas, relva e sujidade da caixa de engrenagem. (Fig. 29)

Substituir e ajustar a correia da transmissão

1. Remova os 4 parafusos da proteção da correia e remova a mesma. (Fig. 28)

2. Coloque uma chave de parafusos plana entre o tampão de roda e a roda, na roda dianteira do lado direito do produto.
3. Rode a chave de parafusos cuidadosamente para remover o tampão de roda.
4. Remova o parafuso da roda e remova a roda. (Fig. 30)
5. Remova a correia da transmissão das polias.
6. Certifique-se de que as polias se movem facilmente nos eixos.
7. Se necessário, pulverize óleo penetrante entre e atrás das polias e lubrifique o eixo.
8. Instale uma nova correia da transmissão e fixe-a corretamente no rolamento de esferas antes de ajustar a correia da transmissão. (Fig. 31)
9. Desloque o rolamento de esferas para cima ou para baixo para ajustar a correia da transmissão. (Fig. 32)

Nota: Uma nova correia da transmissão fica mais longa após a utilização. Volte a ajustar a correia da transmissão após algumas horas de trabalho.

10. Encaixe a proteção da correia.
11. Utilize o produto para se certificar de que a correia da transmissão está corretamente instalada e ajustada.

Substituir e ajustar a correia central

1. Retire a lâmina.

Nota: Este passo não é necessário quando ajusta apenas a correia central.

2. Desaperte os parafusos de ajuste com algumas voltas, mas não os remova. (Fig. 33)
3. Substitua a correia central e aperte moderadamente os parafusos de ajuste.

Nota: Este passo não é necessário quando ajusta apenas a correia central.

- Desloque a engrenagem para a frente ou para trás para ajustar a correia central. (Fig. 34)
- Utilize uma balança de gancho para examinar a tensão da correia central. A correia tem a tensão correta quando pode ser deslocada 6–10 mm no centro. Isto equivale a uma tração de 3 kg. (Fig. 35)
- Aperte totalmente os parafusos de ajuste com um binário de 3 Nm.
- Utilize o produto para se certificar de que a correia da transmissão está corretamente instalada e ajustada.

Para examinar o equipamento de corte



ATENÇÃO: Para evitar o arranque acidental retire o cabo de ignição da vela de ignição.



ATENÇÃO: Use luvas de proteção quando realizar a manutenção do equipamento de corte. A lâmina é muito afiada e pode facilmente provocar cortes.

- Examine se o equipamento de corte está danificado ou se apresenta fissuras. Substitua sempre um equipamento de corte danificado.
- Olhe para a lâmina para verificar se está danificada ou romba.

Nota: É necessário estabilizar a lâmina depois de ser afiada. Afie, substitua e estabilize a lâmina numa oficina especializada. Se atingir um obstáculo que faça o produto parar, substitua a lâmina danificada. Um centro de assistência deve avaliar se a lâmina pode ser afiada ou se tem de ser substituída.

Para substituir a lâmina

- Bloqueie a lâmina com um bloco de madeira. (Fig. 36)
- Remova o perno da lâmina, a arruela e a lâmina. (Fig. 37)
- Examine se o suporte da lâmina e o perno da lâmina apresentam sinais de danos.
 - Se substituir a lâmina ou suporte da lâmina, substitua também o perno da lâmina, a arruela e a arruela de fricção.
- Examine o eixo do motor para se certificar de que não se encontra dobrado.
- Quando colocar a lâmina nova, certifique-se de que as extremidades dobradas da lâmina apontam na direção da cobertura de corte. (Fig. 38)
- Encoste a arruela de fricção e a lâmina no suporte da lâmina. (Fig. 39)
- Certifique-se de que a lâmina está alinhada com a parte central do eixo do motor. (Fig. 40)

- Bloqueie a lâmina com um bloco de madeira. (Fig. 41)
- Prenda a arruela de pressão e aperte o parafuso com um binário de 80 Nm. (Fig. 42)
- Faça rodar a lâmina com a mão de modo a assegurar-se de que roda livremente.



ATENÇÃO: Utilize luvas de proteção. A lâmina é muito afiada e pode facilmente provocar cortes.

- Ligue o produto para testar a lâmina. Se a lâmina não estiver corretamente ligada, o produto vibra ou o resultado de corte não é satisfatório.

Verificar o nível do óleo



CUIDADO: Um nível de óleo demasiado baixo causa danos no motor. Verifique o nível do óleo antes de ligar o produto.

- Coloque o produto num piso nivelado.
- Remova a tampa do depósito de óleo juntamente com a vareta de nível.
- Limpe o óleo da vareta de nível.
- Introduza totalmente a vareta no depósito de óleo. Aperte a tampa do depósito de óleo para se certificar de que apresenta uma imagem correta do nível do óleo.
- Remova a vareta de nível.
- Examine o nível do óleo na vareta de nível.
- Se o nível do óleo estiver baixo, encha com óleo de motor e verifique novamente o nível do óleo.

(Fig. 43)

Nota: Utilize um funil para evitar derrames.

Substituir o óleo de motor



ATENÇÃO: O óleo de motor está muito quente imediatamente após desligar o motor. Deixe o motor arrefecer antes de drenar o óleo de motor. Se derramar óleo de motor na pele, limpe com água e sabão.

(Fig. 44)

- Remova o cabo de ignição da vela de ignição.
- Retire a tampa do depósito de óleo.
- Drene o óleo de motor.
 - Para modelos com um bujão de drenagem do óleo: Coloque um recipiente por baixo do bujão de drenagem do óleo para recolher o óleo de motor.

b) Para modelos sem um bujão de drenagem de óleo ou se não for possível colocar um recipiente por baixo do bujão de drenagem de óleo: Utilize uma bomba de óleo (acessório) para drenar o óleo de motor do respetivo depósito.

4. Encha com óleo de motor novo do tipo recomendado em *Especificações técnicas na página 275*.
5. Verifique o nível do óleo. Consulte *Verificar o nível do óleo na página 273*.

Filtro de ar

Nota: Um filtro de ar que é utilizado durante muito tempo não pode ficar completamente limpo. Substitua o filtro de ar em intervalos regulares. Substitua sempre um filtro de ar danificado.

Remover e instalar o filtro de ar (KLIPPO LB 448SQ, KLIPPO LB 453SQ, KLIPPO LB 548Qe)



ATENÇÃO: Utilize luvas de proteção.

1. Pressione os grampos na cobertura do filtro de ar.
2. Retire cuidadosamente a cobertura do filtro de ar (A) do motor.
3. Retire o filtro de ar (B) e o filtro de espuma (C). (Fig. 45)
4. Examine o filtro de ar quanto à existência de danos. Substitua um filtro de ar danificado.
5. Limpe e examine o filtro de ar. Consulte *Limpar o filtro de ar (KLIPPO LB 448SQ, KLIPPO LB 453SQ, KLIPPO LB 548Qe) na página 274*.
6. Instale na sequência inversa.

Limpar o filtro de ar (KLIPPO LB 448SQ, KLIPPO LB 453SQ, KLIPPO LB 548Qe)



CUIDADO: Não coloque o motor em funcionamento sem um filtro de ar montado ou se o filtro de ar estiver sujo.



CUIDADO: Substitua o filtro de ar se este não poder ser totalmente limpo ou se estiver danificado. Um filtro de ar com danificado provoca danos no motor.

1. Empurre as linguetas de trinco (A), remova a cobertura do filtro de ar (B) e remova o filtro de ar (C). (Fig. 46)
2. Bata o filtro de ar contra uma superfície rígida ou sobre com ar comprimido através do filtro de ar a partir do lado limpo do mesmo.



CUIDADO: Não utilize uma escova para remover sujidade, uma vez que isso empurra a sujidade para o interior do filtro de ar.

3. Limpe o suporte do filtro de ar (D) e a cobertura do filtro de ar com um pano húmido.



CUIDADO: Certifique-se de que não entra sujidade na conduta de ar (E).

4. Instale o filtro de ar. Certifique-se de que o filtro de ar está completamente encostado ao suporte do filtro de ar.
5. Instale a cobertura do filtro de ar com as linguetas inferiores em primeiro lugar.

Limpar o filtro de ar (KLIPPO LB 448S, KLIPPO LB 453S)



CUIDADO: Não coloque o motor em funcionamento sem um filtro de ar montado ou se o filtro de ar estiver sujo.



CUIDADO: Substitua o filtro de ar se este não poder ser totalmente limpo ou se estiver danificado. Um filtro de ar com danificado provoca danos no motor.

1. Empurre as linguetas de trinco (A), remova a cobertura do filtro de ar (B) e remova o filtro de ar (C). (Fig. 47)
2. Bata o filtro de ar contra uma superfície rígida ou sobre com ar comprimido através do filtro de ar a partir do lado limpo do mesmo.



CUIDADO: Não utilize uma escova para remover sujidade, uma vez que isso empurra a sujidade para o interior do filtro de ar.

3. Limpe o suporte do filtro de ar (D) e a cobertura do filtro de ar com um pano húmido.



CUIDADO: Certifique-se de que não entra sujidade na conduta de ar (E).

4. Instale o filtro de ar. Certifique-se de que o filtro de ar está completamente encostado ao suporte do filtro de ar.
5. Instale a cobertura do filtro de ar com as linguetas inferiores em primeiro lugar.

Examinar a vela de ignição



CUIDADO: utilize sempre o tipo de vela de ignição recomendado. Um tipo de vela de ignição incorreto pode provocar danos no produto.

- Examine a vela de ignição para verificar se o motor apresenta uma potência reduzida ou dificuldades de arranque, ou se não funciona corretamente ao ralenti.
- Para diminuir o risco de materiais indesejados nos elétrodos da vela de ignição, siga estas instruções:
 - a) Assegure-se de que a rotação em vazio está corretamente regulada.
 - b) Certifique-se de que a mistura de combustível está correta.
 - c) Certifique-se de que o filtro de ar está limpo.
- Se a vela de ignição estiver suja, limpe-a e certifique-se de que a distância entre os elétrodos está correta; consulte *Especificações técnicas na página 275*. (Fig. 48)

- Se for necessário, substitua a vela de ignição.

Para examinar o sistema de combustível

- Examine a tampa do depósito de combustível e o vedante da tampa do depósito de combustível para se certificar de que não existem danos.
- Examine a mangueira de combustível para se certificar de que não existem fugas. Se a mangueira de combustível estiver danificada, deverá ser substituída por uma oficina autorizada.

Para ajustar o cabo de embraiagem

Se o veículo começar a ficar lento, é necessário ajustar o cabo de embraiagem.

- Rode o parafuso de ajuste. (Fig. 49)

O cabo da embraiagem é corretamente ajustado quando o suporte do cabo da embraiagem está alinhado com a porca.

(Fig. 50)

Transporte, armazenamento e eliminação

Transporte e armazenamento

- Para o transporte e armazenamento do produto e do combustível, certifique-se de que não existem fugas ou fumos. Faíscas ou chamas abertas, por exemplo de dispositivos elétricos ou mesmo caldeiras, podem causar um incêndio.
- Utilize recipientes aprovados para o transporte e armazenamento de combustível.
- Esvazie o depósito de combustível antes de armazenar o produto durante um longo período de tempo. Elimine o combustível numa localização de eliminação aplicável
- Fixe o produto de forma segura durante o transporte para evitar danos e acidentes.

- Mantenha o produto numa área trancada para impedir o acesso a crianças ou pessoas que não disponham de aprovação.
- Mantenha o produto num local seco e sem gelo.

Eliminação

- Respeite os requisitos de reciclagem locais e os regulamentos aplicáveis.
- Elimine todos os produtos químicos, como óleo de motor ou combustível, num centro de assistência ou numa localização de eliminação aplicável.
- Quando o produto deixar de ser utilizado, envie-o para um revendedor Husqvarna ou elimine-o numa localização de reciclagem.

Especificações técnicas

Especificações técnicas

	KLIPPO LB 448S	KLIPPO LB 448SQ	KLIPPO LB 453S	KLIPPO LB 453SQ	KLIPPO LB 548SQe
Motor					
Marca	Honda	Husqvarna	Honda	Husqvarna	Husqvarna
Modelo	GCVX-145	HS 166AP	GCVx-170	HS 166AP	HS 166AP

	KLIPPO LB 448S	KLIPPO LB 448SQ	KLIPPO LB 453S	KLIPPO LB 453SQ	KLIPPO LB 548SQe
Tipo de motor	Monocilíndrico, 4 tempos, refrigeração a ar forçado, OHV	Monocilíndrico, 4 tempos, refrigeração a ar forçado, OHV	Monocilíndrico, 4 tempos, refrigeração a ar forçado, OHV	Monocilíndrico, 4 tempos, refrigeração a ar forçado, OHV	Monocilíndrico, 4 tempos, refrigeração a ar forçado, OHV
Cilindrada, cm ³	145	166	166	166	166
Rotação, rpm	2900	2900	2900	2900	2900
Potência nominal do motor, kW ⁹⁶	2,7	2,75	3,3	2,75	2,75
Sistema de ignição					
Vela de ignição	NGK BPR5ES	Husqvarna HQT-7	NGK BPR5ES	Husqvarna HQT-7	Husqvarna HQT-7
Distância entre os eletrodos, mm	0,7-0,8	0,7-0,8	0,7-0,8	0,7-0,8	0,7-0,8
Sistema de lubrificação e combustível					
Tipo de lubrificação do motor	Salpico	Salpico	Salpico	Salpico	Salpico
Capacidade do depósito de combustível, litros	0,9	1,5	0,9	1,5	1,5
Capacidade do depósito de óleo, litros	0,5	0,5	0,55	0,5	0,5
Óleo do motor ⁹⁷	Husqvarna SAE 30	Husqvarna SAE 30	Husqvarna SAE 30/SAE 10W-30	Husqvarna SAE 30/SAE 10W-30	Husqvarna SAE 30/SAE 10W-30
Peso					
Com depósitos vazios, kg	30,5	32,5	33	33,5	34,5
Emissões de ruído⁹⁸					
Nível de potência sonora, medido dB (A)	90	93	91	94	92
Nível de potência sonora, garantido L _{WA} dB (A)	91	93	94	95	93
Níveis sonoros⁹⁹					

⁹⁶ A potência nominal do motor indicado é a potência líquida média (a um valor de rpm especificado) de um motor de produção típico do modelo de motor avaliado de acordo com a norma J1349/ISO1585 da SAE. Motores produzidos em série poderão divergir deste valor. A potência real do motor instalado no produto final dependerá da velocidade de operação, das condições ambientais e de outros parâmetros.

⁹⁷ Se o óleo SAE-30 for utilizado a uma temperatura inferior a +5 °C, existe o risco de não lubrificar suficientemente o motor. Isto pode provocar danos no motor. Consulte *Substituir o óleo de motor na página 273* para saber qual o óleo correto para temperaturas baixas.

⁹⁸ Emissões de ruído para as imediações, medidas sob forma de potência sonora (L_{WA}) em conformidade com a diretiva da CE 2000/14/CE.

⁹⁹ Nível de pressão de ruído em conformidade com a norma ISO 5395. Os dados comunicados relativamente ao nível de pressão de ruído têm uma dispersão estatística típica (desvio padrão) de 1,2 dB (A).

	KLIPPO LB 448S	KLIPPO LB 448SQ	KLIPPO LB 453S	KLIPPO LB 453SQ	KLIPPO LB 548SQe
Nível de pressão sonora ao nível do ouvido do utilizador, dB (A)	77	79	78	81	79
Níveis de vibração, a_{hveq}^{100}					
Punho, m/s^2	4,5	4,2	5,3	6,4	4,0
Equipamento de corte					
Altura de corte, mm	30–60	30–60	30–60	30–60	30–60
Largura de corte, mm	480	480	530	530	480
Lâmina	Trituração – 48 cm 5028813-10	Trituração – 48 cm 5028813-10	Trituração – 53 cm 5028814-10	Trituração – 53 cm 5028814-10	Trituração – 48 cm 5028813-10
Transmissão					
Velocidade, km/h	4,5	4,5	4,5	4,5	4,5

¹⁰⁰ Nível de vibração em conformidade com a norma ISO 5395. Os dados comunicados relativamente ao nível de vibração têm uma dispersão estatística típica (desvio padrão) de 0,2 m/s^2 .

Declaração de conformidade

Declaração UE de conformidade

A **Husqvarna AB**, SE-561 82 Huskvarna, Suécia,
tel.: +46-36-146500, declara, sob sua inteira
responsabilidade, que o produto:

Descrição	Corta-relva
Marca	Husqvarna
Tipo/Modelo	KLIPPO LB 448S, KLIPPO LB 453S, KLIPPO LB 448SQ, KLIPPO LB 453SQ, KLIPPO LB 548SQe
Identificação	Números de série referentes a 2022 e posteriores

está em plena conformidade com as seguintes diretivas
e regulamentos da UE:

Diretiva/Regulamen- to	Descrição
2006/42/CE	"relativa a máquinas"
2014/30/UE	"relativa à compatibilidade eletromagnética"
2000/14/CE	"relativa a emissões de ruído para o ambiente"
2011/65/UE	"relativa à restrição do uso de determinadas substâncias perigosas em equipamento elétrico e eletrônico"

e que as seguintes normas e/ou especificações técnicas
são aplicadas: EN ISO 5395-1:2013/A1:2018, EN ISO
5395-2:2013/A1:2016/A2:2017, EN ISO 14982:2009, EN
IEC 63000:2018.

Entidade competente: 0404, RISE SMP Svensk
Maskinprovning AB, Box 4053, SE-904 03 Umeå,
Sweden. atribuiu a certificação de conformidade com
a Diretiva 2000/14/CE do Conselho, procedimento de
avaliação de conformidade: Anexo VI.

Para mais informações sobre as emissões de ruído,
consulte *Especificações técnicas na página 275*.

Huskvarna, 2023-02-07



Claes Losdal, chefe de desenvolvimento/produtos de
jardinagem, Husqvarna AB

Responsável pela documentação técnica



CUPRINS

Introducere.....	279	Întreținerea.....	285
Siguranță.....	280	Transportul, depozitarea și eliminarea.....	289
Asamblarea.....	283	Date tehnice.....	289
Funcționarea.....	284	Declarație de conformitate.....	292

Introducere

Descrierea produsului

Acest produs este o mașină rotativă de tuns gazon controlată de un operator-pieton, care utilizează BioClip® pentru a tăia iarba și a o transforma în îngrășământ.

Prezentare generală a produsului

(Fig. 1)

1. Mâner/ghidon
2. Manetă frână de motor
3. Pârghie de deplasare
4. Mâner pentru șnurul de pornire
5. Dop pentru ulei
6. Apărătoare curea
7. Amortizor de zgomot
8. Bujie
9. Apărătoare curea
10. Rezervor de carburant
11. Pârghie pentru reglarea unghiului mânerului
12. Sistem amortizare vibrații
13. Reglarea cablului ambreiajului
14. Pârghie pentru înălțimea de tăiere
15. Supapă carburant
16. Filtru de aer
17. Capac de tăiere
18. Șaibă de siguranță
19. Șurub cuțit
20. Lamă
21. Suportul cuțitului
22. Obturator pentru resturi vegetale KLIPPO LB 448S, KLIPPO LB 448SQ, KLIPPO LB 548SQe
23. Manualul operatorului

Simbolurile de pe produs

(Fig. 2) **AVERTISMENT:** Utilizarea neatentă sau incorectă poate cauza vătămări corporale sau moartea operatorului sau altor persoane.

(Fig. 3) Citiți cu atenție manualul operatorului și asigurați-vă că înțelegeți instrucțiunile înainte de utilizare.

Domeniul de utilizare

Utilizați produsul pentru a tăia iarba. Nu utilizați produsul pentru alte sarcini.

(Fig. 4) Feriți-vă de obiectele proiectate sau care ricoșează.

(Fig. 5) Țineți persoanele și animalele la o distanță sigură de zona de lucru.

(Fig. 6) Oprii motorul și scoateți cablul de alimentare a aprinderii înainte de a efectua lucrări de întreținere sau reparații.

(Fig. 7) Avertisment: Feriți-vă mâinile și picioarele de piesele rotative.

(Fig. 8) Avertisment: Feriți-vă mâinile și picioarele de cuțitul rotativ.

(Fig. 9) Acest produs este în conformitate cu directivele UE aplicabile.

(Fig. 10) Acest produs respectă reglementările aplicabile din Regatul Unit.

(Fig. 11) Produsul este conform cu directivele Uniunii Vamale Euro-Asiatice aplicabile. Valabil numai pentru KLIPPO LB 448S & KLIPPO LB 453S.

(Fig. 12) Etichetă privind emisiile de zgomot în mediu, conform directivelor și reglementărilor din UE și Regatul Unit și legislației din New South Wales „Regulamentul privind măsurile de protecție a mediului (controlul zgomotului) din 2017”. Nivelul de putere sonoră garantat al produsului este specificat în *Date tehnice la pagina 289* și pe etichetă.

(Fig. 13) Cod scanabil.

Nota: Alte simboluri / autocolante de pe produs se referă la cerințele legale specifice pieței.

Autocolant pe produs, numai pentru Australia și Noua Zeelandă

(Fig. 14)

Feriți-vă mâinile și picioarele de cuțitul rotativ.

Emissiile de Euro V



AVERTISMENT: În urma modificării neautorizate a motorului, este anulată aprobarea de tip UE pentru acest produs.

Răspunderea pentru produs

Conform prevederilor legislației privind răspunderea pentru produs, nu ne asumăm răspunderea pentru daunele cauzate de produsul nostru dacă:

- produsul este reparat necorespunzător;
- produsul este reparat cu piese care nu provin de la producător sau care nu sunt aprobate de acesta;
- produsul are un accesoriu care nu provine de la producător sau care nu este aprobat de acesta;
- produsul nu este reparat la un centru de service omologat sau de o autoritate omologată;

Siguranță

Definiții privind siguranța

Avertismentele, atenționările și notele sunt utilizate pentru a desemna părți foarte importante din manual.



AVERTISMENT: Se utilizează dacă există risc de vătămare sau de deces pentru operator sau pentru trecători, în cazul în care instrucțiunile din manual nu sunt respectate.



ATENȚIE: Se utilizează dacă există un risc de deteriorare a produsului, a altor materiale sau a zonelor învecinate, dacă instrucțiunile din manual nu sunt respectate.

Nota: Se utilizează pentru a furniza mai multe informații care sunt necesare într-o situație dată.

Instrucțiuni generale de siguranță



AVERTISMENT: Înainte de a utiliza produsul, citiți instrucțiunile de avertizare de mai jos.

- Acest produs este periculos dacă este utilizat incorect sau dacă nu sunteți atent. Nerespectarea instrucțiunilor de siguranță poate cauza vătămări corporale sau decesul.
- În timpul funcționării, acest produs generează un câmp electromagnetic. În anumite condiții, acest câmp poate interfera cu implanturile medicale active sau pasive. Pentru a reduce riscul de vătămări corporale grave sau mortale, recomandăm persoanelor cu implanturi medicale să consulte medicul și producătorul implantului medical înainte de a utiliza acest produs.

- Procedați întotdeauna cu atenție și folosiți-vă judecata. Dacă nu sunteți sigur cum să utilizați produsul într-o situație specială, opriți-l și adresați-vă distribuitorului Husqvarna înainte de a continua.
- Rețineți că operatorul poartă responsabilitatea privind orice accidente care implică alte persoane sau bunurile lor.
- Păstrați produsul curat. Asigurați-vă că puteți citi clar semnele și autocolantele.
- Nu permiteți niciunei persoane să utilizeze produsul dacă aceasta nu a citit și înțeles conținutul manualului operatorului.
- Nu permiteți copiilor să utilizeze produsul.
- Țineți copiii departe de zona de lucru. Un adult responsabil trebuie să fie prezent în permanență.
- Nu permiteți niciunei persoane care nu cunoaște instrucțiunile să utilizeze produsul.
- Monitorizați permanent o persoană cu capacități fizice sau mintale reduse, care utilizează produsul. Un adult responsabil trebuie să fie prezent în permanență.
- Nu utilizați produsul atunci când sunteți obosit, bolnav sau dacă ați consumat alcool, droguri sau ați luat medicamente. Acestea vă afectează negativ acuitatea vizuală, atenția, coordonarea și judecata.
- Nu folosiți produse deteriorate sau care nu funcționează corect.
- Nu modificați acest produs și nu îl utilizați dacă este posibil să fi fost modificat de către alte persoane.
- Nu modificați setarea controlului turației motorului.

Siguranța zonei de lucru



AVERTISMENT: Înainte de a utiliza produsul, citiți instrucțiunile de avertizare de mai jos.

- Înainte de a utiliza produsul, îndepărtați obiectele precum crengile, rămurelele și pietrele din zona de lucru.

- Obiectele care se lovesc de echipamentul de tăiere pot fi aruncate, provocând vătămări corporale și pagube materiale. Țineți trecătorii și animalele la o distanță sigură de produs.
- Nu utilizați produsul pe vreme rea, de exemplu pe ceață, ploaie, vânt puternic, la temperaturi exterioare foarte scăzute și atunci când există riscul de descărcări electrice. Utilizarea produsului pe vreme nefavorabilă sau pe teren umed sau inundat este obositoare. Vremea nefavorabilă poate conduce la apariția de situații periculoase, de exemplu suprafețe alunecoase.
- Verificați dacă există persoane, obiecte și situații care pot împiedica funcționarea în siguranță a produsului.
- Atenție la obstacole, precum rădăcini, pietre, ramuri, gropi și șanțuri. În iarba înaltă se pot ascunde obstacole.
- Tunderea ierburilor pe pante poate fi periculoasă. Nu utilizați produsul pe pante cu înclinație mai mare de 15°.
- Utilizați produsul de-a curmezișul pantei. Nu efectuați mișcări în sus și în jos.
- Procedați cu atenție atunci când vă apropiați de colțuri ascunse și de obiecte care blochează vederea.
- Nu fixați niciodată de mâner maneta frânei de motor, în mod permanent, atunci când motorul este pornit.
- Poziționați produsul pe o suprafață stabilă, plană și porniți-l. Asigurați-vă că lama nu atinge solul sau alte obiecte.
- Stați întotdeauna în spatele produsului atunci când îl utilizați.
- Mențineți toate roțile pe sol și țineți ambele mâini pe mâner când utilizați produsul. Feriți-vă mâinile și picioarele de cuitele rotative.
- Nu înclinați produsul când motorul este pornit.
- Fiți atent atunci când trageți produsul în spate.
- Nu ridicați niciodată produsul când motorul este pornit. Dacă trebuie să ridicați produsul, mai întâi opriți motorul și deconectați cablul de alimentare a aprinderii de la bujie.
- Nu mergeți cu spatele în timp ce utilizați produsul.
- Opriți motorul când traversați zone fără iarbă, de exemplu alei din pițriș, piatră și asfalt.
- Nu alergați cu produsul când motorul este pornit. Întotdeauna mergeți în timp ce utilizați produsul.
- Opriți motorul înainte de a schimba înălțimea de tăiere. Nu efectuați niciodată reglări cu motorul pornit.
- Nu lăsați niciodată produsul să iasă din câmpul vizual cu motorul pornit. Opriți motorul și asigurați-vă că echipamentul de tăiere nu se rotește.

Siguranța în lucru



AVERTISMENT: Înainte de a utiliza produsul, citiți instrucțiunile de avertizare de mai jos.

- Utilizați acest produs numai pentru tunderea gazonului. Nu este permisă utilizarea acestui produs pentru alte lucrări.
- Utilizați echipamentul personal de protecție. Consultați *Echipament de protecție personală la pagina 281*.
- Asigurați-vă că știți cum să opriți rapid motorul în caz de urgență.
- Nu porniți niciodată motorul într-un spațiu închis sau lângă materiale inflamabile. Gazele de eșapament de la motor sunt fierbinți și pot conține scântei care pot cauza un incendiu.
- Nu utilizați produsul decât dacă au fost montate corect cușitul și toate capacele. Un cușit montat incorect se poate slăbi, provocând vătămări corporale.
- Asigurați-vă că lama nu lovește obiecte, precum pietre și rădăcini. Acestea pot deteriora cușitul și pot îndoi arborele motorului. Un ax îndoit poate genera vibrații puternice și prezintă un risc foarte ridicat de slăbire a cușitului.
- Dacă lama lovește un obiect sau dacă observați vibrații, opriți produsul imediat. Decuplați cablul de alimentare a aprinderii de la bujie. Examinați dacă produsul este deteriorat. Reparați defecțiunile sau solicitați unui agent de service autorizat să le repare.

Instrucțiuni de siguranță pentru utilizare

Echipament de protecție personală



AVERTISMENT: Înainte de a utiliza produsul, citiți instrucțiunile de avertizare de mai jos.

- Echipamentele de protecție personală nu pot elimina complet riscul de rănire, însă pot reduce gravitatea rănilor în cazul unui accident. Distribuitorul vă poate ajuta să alegeți echipamentul corect.
- Utilizați echipament de protecție a auzului dacă nivelul de zgomot este mai mare de 85 dB.
- Utilizați întotdeauna ghete sau pantofi pentru regim greu de lucru, cu rezistență la alunecare. Nu folosiți pantofi decupați și nu operați produsul desculți.
- Utilizați pantaloni lungi, groși.
- Purtați mănuși de protecție atunci când este necesar, de exemplu atunci când conectați și inspectați sau curățați echipamentul de tăiere.

Dispozitivele de siguranță de pe produs



AVERTISMENT: Înainte de a utiliza produsul, citiți instrucțiunile de avertizare de mai jos.

- Nu utilizați un produs cu dispozitive de siguranță care sunt deteriorate sau care nu funcționează corect.

- Verificați regulat dispozitivele de siguranță. În cazul în care dispozitivele de siguranță sunt deteriorate sau nu funcționează corect , adresați-vă Husqvarna agentului de service.
- Nu aduceți modificări dispozitivelor de siguranță.

Verificarea capacului de tăiere

Capacul de tăiere reduce vibrațiile în produs și scade riscul de rănire de la cuțit.

- Examinați capacul de tăiere și asigurați-vă că nu există defecte, precum fisuri.

Verificarea apărătorii de curea

Apărătoarea de curea scade riscul de vătămare corporală și protejează împotriva proiectării la exterior a curelei de transmisie rupte.

- Asigurați-vă că apărătoarea de curea nu este deteriorată și că este montată corect. (Fig. 15)

Manetă frână de motor

Maneta frânei de motor oprește motorul. Când maneta frânei de motor este eliberată, motorul se oprește.

Pentru a efectua o inspecție a frânei de motor, porniți motorul, apoi eliberați maneta frânei de motor. Dacă motorul nu se oprește în 3 secunde, solicitați unui agent de service autorizat Husqvarna să regleze frâna de motor.

(Fig. 16)

Pentru a verifica sistemul de amortizare a vibrațiilor



AVERTISMENT: Expunerea prelungită la vibrații poate duce la afecțiuni circulatorii sau la deteriorarea nervilor la persoanele cu circulație sanguină deficitară. Solicitați asistență medicală dacă experimentați simptome de expunere prelungită la vibrații. Aceste simptome includ amorțeală, pierderea sensibilității tactile, furnicături, înțepături, durere, pierderea forței, modificări ale culorii sau aspectului pielii. Aceste simptome apar de obicei la degete, la mâini sau la încheieturi.

Sistemul de amortizare a vibrațiilor reduce vibrațiile din mâner în timpul operării.

Tubul de oțel din mâner și capacul de tăiere reduc vibrațiile. Modelul KLIPPO LB 548SQe dispune, de asemenea, de 4 unități de amortizare a vibrațiilor, montate pe mâner.

- Verificați mânerul și unitățile de amortizare a vibrațiilor pentru a vă asigura că nu prezintă daune. (Fig. 17)

Suportul cuțitului

Suportul cuțitului reduce riscul îndoirii arborelui motorului. Dacă lama lovește un obiect, aceasta se va mișca pe suportul cuțitului. Mișcarea provoacă uzura suprafeței suportului cuțitului. Uzura arată că protecția arborelui motorului funcționează corect.

Amortizor de zgomot

Amortizorul de zgomot este proiectat pentru a reduce la minimum nivelul de zgomot și a dirija gazele de eșapament departe de utilizator.

Nu utilizați produsul dacă amortizorul de zgomot nu este instalat sau este deteriorat. Un amortizor de zgomot deteriorat determină creșterea nivelului de zgomot și a pericolului de incendiu.



AVERTISMENT: Amortizorul de zgomot atinge temperaturi înalte în timpul utilizării, imediat după oprire și atunci când motorul funcționează la turația de mers în gol. Procedeți cu atenție în apropierea materialelor și/sau gazelor inflamabile pentru a preveni incendiile.

Pentru a verifica amortizorul de zgomot

- Verificați regulat amortizorul de zgomot pentru a vă asigura că este montat corect și nu este deteriorat.

Reguli de siguranță referitoare la carburant



AVERTISMENT: Înainte de a utiliza produsul, citiți instrucțiunile de avertizare de mai jos.

- Nu porniți produsul dacă pe acesta se află carburant sau ulei pentru motor. Îndepărtați carburantul/uleiul nedorit și lăsați produsul să se usuce.
- Dacă vărsați carburantul pe îmbrăcăminte, schimbați imediat hainele.
- Nu vărsați carburantul pe corp - poate provoca vătămări corporale. Dacă vărsați carburant pe corp, utilizați apă și săpun pentru a elimina carburantul.
- Nu porniți produsul dacă motorul prezintă scurgeri. Examinați cu regularitate motorul, pentru a identifica eventuale scurgeri.
- Manipulați cu atenție carburantul. Carburantul este inflamabil, vaporii sunt explozivi și pot cauza vătămări corporale sau deces.
- Nu respirați vaporii de carburant, se pot produce vătămări corporale. Asigurați-vă că fluxul de aer este suficient.
- Nu fumați în apropierea carburantului sau a motorului.
- Nu amplasați obiecte calde în apropierea carburantului sau a motorului.
- Nu adăugați carburant atunci când motorul este pornit.

- Asigurați-vă că motorul este rece înainte de a realimenta.
- Înainte de a realimenta, deschideți lent capacul rezervorului de carburant și eliberați cu atenție presiunea.
- Nu adăugați carburant la motor într-o zonă interioară. Un flux de aer insuficient poate cauza vătămare corporală sau deces din cauza asfixierii sau a monoxidului de carbon.
- Strângeți până la capăt capacul rezervorului de carburant. Dacă acesta nu este strâns, există pericol de incendiu.
- Înainte de pornire, mutați produsul la o distanță de minimum 3 m/10 ft față de poziția unde ați umplut rezervorul.
- Nu umpleți complet rezervorul de carburant. Căldura provoacă dilatarea carburantului. Păstrați un gol în partea de sus a rezervorului de carburant.
- Gazele de eșapament ale motorului conțin monoxid de carbon, care este un gaz inodor, toxic și deosebit de periculos. Nu porniți motorul în interior sau în spații închise.
- Înainte de a efectua întreținerea produsului, opriți motorul și deconectați cablul de alimentare a aprinderii de la bujie.
- Purtați mănuși de protecție când efectuați întreținerea echipamentului de tăiere. Cuțitul este foarte ascuțit și vă puteți tăia foarte ușor.
- Accesorii și modificările aduse produsului care nu sunt autorizate de către producător pot provoca vătămări corporale grave sau fatale. Nu modificați produsul. Utilizați întotdeauna numai accesorii omologate de producător.
- Dacă întreținerea nu se efectuează corect și periodic, crește pericolul de vătămări corporale și de deteriorare a produsului.
- Efectuați numai operațiile de întreținere care se regăsesc în acest manual al proprietarului. Toate celelalte operații de service trebuie efectuate de către un agent de service autorizat Husqvarna.
- Solicitați unui agent de service autorizat Husqvarna să efectueze în mod regulat operații de service la produs.
- Înlocuiți piesele deteriorate, uzate sau defecte.

Instrucțiuni de siguranță pentru întreținere



AVERTISMENT: Înainte de a utiliza produsul, citiți instrucțiunile de avertizare de mai jos.

Asamblarea

Introducere



AVERTISMENT: Înainte de a asambla produsul, trebuie să citiți și să înțelegeți capitoul privind siguranța.



AVERTISMENT: Demontați cablul de la bujie înainte de a asambla produsul.

Asamblarea și reglarea mânerului

1. Scoateți piulița mânerului și șaiba de pe placa de pe mânerul superior.
2. Fixați mânerul superior în poziție, deasupra mânerului inferior.



ATENȚIE: Evitați prinderea sau deteriorarea cablurilor.

3. Montați șaiba și piulița mânerului. (Fig. 18)
4. Rotiți mânerul în lateral pentru a obține o poziție bună de operare atunci când folosiți produsul în apropierea unui perete. (Fig. 19)
5. Rotiți roțile de reglare de pe cadru pentru a regla mânerul pe verticală. (Fig. 20)

Asamblarea obturatorului pentru resturi vegetale (KLIPPO LB 448S, KLIPPO LB 448SQ, KLIPPO LB 548SQe)

1. Înclinați produsul pe spate, cu bujia în sus.
2. Introduceți știfturile obturatorului pentru resturi vegetale în găuri, prin partea interioară a capacului de tăiere. (Fig. 21)
3. Atașați șuruburile pentru obturatorul pentru resturi vegetale prin partea exterioară a capacului de tăiere. (Fig. 22)

Funcționarea

Introducere



AVERTISMENT: Înainte de a utiliza produsul, trebuie să citiți și să înțelegeți capitolul privind siguranța.

Husqvarna Connect

Husqvarna Connect este o aplicație gratuită pentru dispozitivul dvs. mobil. Aplicația Husqvarna Connect vă oferă funcții extinse pentru produsul dvs. Husqvarna:

- Informații pe larg despre produs.
- Informații despre piese pentru produse și servicii și asistență pentru acestea.

Pentru a începe să utilizați Husqvarna Connect

1. Descărcați aplicația Husqvarna Connect pe dispozitivul dvs. mobil.
2. Înregistrați-vă în aplicația Husqvarna Connect.
3. Urmați pașii cu instrucțiuni din aplicația Husqvarna Connect pentru a conecta și înregistra produsul.

Înainte de a utiliza produsul

1. Citiți cu atenție manualul operatorului și asigurați-vă că înțelegeți instrucțiunile.
2. Examinați echipamentul de tăiere și asigurați-vă că este corect montat și reglat. Consultați *Pentru a examina echipamentul de tăiere la pagina 287.*
3. Umpleți rezervorul de carburant. Consultați *Alimentarea cu carburant la pagina 284.*
4. Umpleți rezervorul de ulei și verificați nivelul uleiului. Consultați *Verificarea nivelului de ulei la pagina 287.*

Alimentarea cu carburant

Dacă este disponibilă, folosiți benzină alchilată/cu emisii scăzute. Dacă benzina alchilată/cu emisii scăzute nu este disponibilă, folosiți benzină fără plumb sau benzină cu plumb de bună calitate, cu o cifră octanică nu mai mică de 90.



ATENȚIE: Nu utilizați benzină cu o cifră octanică mai mică de 90 RON (87 AKI). Aceasta poate deteriora produsul.

1. Deschideți încet capacul rezervorului de carburant pentru a elibera presiunea.
2. Umpleți încet, cu o canistră de carburant. Dacă vărsați carburant, îndepărtați-l cu o cârpă și lăsați-l să se usuce. (Fig. 23)
3. Curățați suprafața din jurul capacului rezervorului de carburant.

4. Strângeți până la capăt capacul rezervorului de carburant. Dacă acesta nu este strâns, există pericol de incendiu.
5. Înainte de pornire, mutați produsul la o distanță de minimum 3 m (10 ft) față de poziția unde ați umplut rezervorul.

Pentru a seta înălțimea de tăiere

Înălțimea de tăiere poate fi reglată pe 6 nivele.

1. Deplasați înainte pârghia pentru înălțimea de tăiere, pentru a mări înălțimea.
2. Deplasați spre spate pârghia pentru înălțimea de tăiere, pentru a reduce înălțimea.



ATENȚIE: Nu setați o înălțime de tăiere prea scăzută. Cuțitele pot atinge solul dacă suprafața gazonului nu este plană.

Pentru a porni produsul

1. Cablul de alimentare a aprinderii trebuie să fie conectat la bujie.
2. Deschideți valva de combustibil. (Fig. 24)
3. Stați în spatele produsului.
4. Țineți maneta frânei de motor lipită de mâner. (Fig. 25)
5. Țineți mânerul șnurului de pornire cu mâna dreaptă.
6. Trageți încet de șnurul de pornire până ce simțiți o anumită rezistență.
7. Trageți cu forță pentru a porni motorul.



AVERTISMENT: Nu răsuciți cablul de pornire în jurul mâinii.



ATENȚIE: Nu întindeți complet șnurul de pornire. Nu eliberați mânerul șnurului de pornire când acesta este extins.

Utilizarea transmisiei pe roți

- Apăsați pe pârghia de deplasare. (Fig. 26)
- Înainte de a trage produsul spre spate, decuplați transmisia și împingeți produsul înainte cu aproximativ 10cm.
- Eliberați maneta frânei de motor pe o distanță scurtă pentru a dezactiva transmisia, de exemplu atunci când vă apropiați de un obstacol.

Oprirea produsului

- Pentru a opri doar transmisia, eliberați maneta frânei de motor pe o distanță scurtă.

- Pentru a opri motorul, eliberați complet maneta frânei de motor.
- Închideți valva de combustibil. (Fig. 27)

Obținerea rezultatelor bune

- Utilizați întotdeauna o lamă ascuțită. O lamă tocită oferă rezultate neregulate, iar suprafața tăiată a ierbii se îngălbenesc. De asemenea, o lamă ascuțită folosește mai puțină energie decât o lamă tocită.
- Nu tăiați niciodată mai mult de 1/3 din lungimea ierbii. Inițial, tundeți cu o înălțime mare de tăiere. Verificați rezultatul și coborâți înălțimea de tăiere la un nivel convenabil. Dacă iarba este foarte înaltă, deplasați aparatul încet și tundeți de două ori, dacă este necesar.

- Tăiați de fiecare dată în altă direcție, pentru a preveni formarea de dungi pe gazon.
- Păstrați capacul de tăiere curat. Acumularea de iarbă și murdărie pe partea interioară a capacului de tăiere poate reduce calitatea rezultatului tăierii. Consultați *Pentru a curăța produsul la exterior la pagina 286.*

Întreținerea

Introducere



AVERTISMENT: Înainte de a efectua orice operații de întreținere, citiți și înțelegeți capitoul privind siguranța.

Toate lucrările de service și de reparații la produs necesită instruire specială. Garantăm disponibilitatea unor lucrări profesionale de reparații și service. Dacă distribuitorul dvs. nu este agent de service, solicitați acestuia informații cu privire la cel mai apropiat agent de service.

Pentru informații mai detaliate, consultați www.husqvarna.com.

Program de întreținere

Intervalele de întreținere sunt calculate având în vedere o utilizare zilnică a produsului. Intervalele se modifică dacă produsul nu este utilizat zilnic.

Pentru operațiunile de întreținere marcate cu *, consultați instrucțiunile din *Dispozitivele de siguranță de pe produs la pagina 281.*

Întreținere	Zilnic	Săptămânal	Lunar
Efectuați o inspecție generală	X		
Examinați nivelul uleiului	X		
Curățați produsul	X		
Curățați filtrul de aer	X		
Examinați echipamentul de tăiere	X		
Examinați capacul de tăiere*	X		
Examinați maneta frânei de motor*	X		
Examinați amortizorul de zgomot*		X	
Examinați bujia		X	
Verificați dacă există daune la cureaua de transmisie			X
Curățați carcasa angrenajului			X
Pentru KLIPPO LB 448S, KLIPPO LB 453S. Schimbați uleiul (prima dată după 5 ore de utilizare, apoi la fiecare 25 ore de utilizare și anual)			X
Pentru KLIPPO LB 448SQ, KLIPPO LB 453SQ, KLIPPO LB 548SQe. Schimbați uleiul (prima dată după 5 ore de utilizare, apoi la fiecare 100 ore de utilizare și anual)			X

Întreținere	Zilnic	Săptămânal	Lunar
Schimbați filtrul de aer			X
Examinați sistemul de alimentare cu carburant			X
Examinați și reglați transmisia (cablul de ambreiaj)			X

Pentru a efectua o inspecție generală

- Asigurați-vă că toate șuruburile și piulițele produsului sunt strânse.

Pentru a curăța produsul la exterior

- Folosiți o perie pentru a elimina frunzele, iarba și murdăria.
- Asigurați-vă că priza de aer din partea superioară a motorului nu este înfundată.
- Nu utilizați o instalație de spălare cu presiune ridicată pentru a curăța produsul.
- Dacă utilizați apă pentru a curăța produsul, nu stropiți direct către motor.

Pentru a curăța suprafața interioară a capacului de tăiere

- Așezați produsul pe o parte, cu amortizorul de zgomot în jos.



ATENȚIE: Dacă produsul este așezat cu filtrul de aer în jos, motorul se poate deteriora.

- Spălați cu apă suprafața interioară a capacului de tăiere.

Verificarea curelei de transmisie și curățarea carcasei angrenajului

- Scoateți cele 4 șuruburi de pe apărătoarea de curea și scoateți apărătoarea de curea. (Fig. 28)
- Verificați dacă există daune la cureaua de transmisie și fulia curelei.
- Utilizați o perie pentru a îndepărta frunzele, iarba și murdăria din carcasa angrenajului. (Fig. 29)

Înlocuirea și reglarea curelei de transmisie

- Scoateți cele 4 șuruburi de pe apărătoarea de curea și scoateți apărătoarea de curea. (Fig. 28)
- Puneți o șurubelniță plată între capacul butucului și roată pe roata dreaptă din față a produsului.
- Răsuciți cu grijă șurubelnița pentru a scoate capacul butucului.
- Scoateți bolțul roții și scoateți roata. (Fig. 30)
- Scoateți cureaua de transmisie de pe fuliile curelei.

- Asigurați-vă că fuliile curelei se deplasează ușor pe ax.
- Dacă este necesar, pulverizați ulei penetrant între fuliile curelei și în spatele acestora și lubrifiați axul.
- Montați o curea de transmisie nouă și fixați-o corect pe rulmentul cu bile înainte de a o regla. (Fig. 31)
- Deplasați rulmentul cu bile în sus sau în jos pentru a regla cureaua de transmisie. (Fig. 32)

Nota: La utilizare, o curea de transmisie nouă devine mai lungă. Reglați din nou cureaua de transmisie după câteva ore de utilizare.

- Montați apărătoarea de curea.
- Puneți produsul în funcțiune pentru a vă asigura că cureaua de transmisie este instalată și reglată corect.

Înlocuirea și reglarea curelei de centrare

- Demontați cuțitul.

Nota: Acest pas nu este necesar atunci când doar reglați cureaua de centrare.

- Slăbiți șuruburile de reglare cu câteva ture, dar nu le scoateți. (Fig. 33)
- Înlocuiți cureaua de centrare și strângeți moderat șuruburile de reglare.

Nota: Acest pas nu este necesar atunci când doar reglați cureaua de centrare.

- Deplasați angrenajul înainte sau înapoi, pentru a regla cureaua de centrare. (Fig. 34)
- Utilizați un cântar cu cârlig pentru a verifica tensionarea curelei de centrare. Cureaua este corect tensionată când se poate deplasa cu 6-10 mm spre centru. Aceasta înseamnă o greutate de aproximativ 3 kg. (Fig. 35)
- Strângeți complet șuruburile de reglare la un cuplu de 3 Nm.
- Puneți produsul în funcțiune pentru a vă asigura că cureaua de transmisie este instalată și reglată corect.

Pentru a examina echipamentul de tăiere



AVERTISMENT: Pentru a preveni pornirea accidentală, decuplați cablul de alimentare a aprinderii de la bujie.



AVERTISMENT: Purtați mănuși de protecție când efectuați întreținerea echipamentului de tăiere. Cuțitul este foarte ascuțit și vă puteți tăia foarte ușor.

1. Examinați echipamentul de tăiere pentru a identifica eventuale deteriorări sau crăpături. Înlocuiți întotdeauna un echipament de tăiere deteriorat.
2. Observați cuțitul pentru a vedea dacă este deteriorat sau tocit.

Nota: După ascuțirea cuțitului, acesta trebuie echilibrat. Solicitați unui centru de service să ascuță, să monteze la loc și să echilibreze cuțitul. Dacă loviți un obstacol care determină produsul să se oprească, înlocuiți cuțitul deteriorat. Solicitați centrului de service să estimeze dacă lama poate fi ascuțită sau trebuie înlocuită.

Pentru a înlocui lama

1. Blocați cuțitul cu o bucată de lemn. (Fig. 36)
2. Îndepărtați bolțul cuțitului, șaiba elastică și cuțitul. (Fig. 37)
3. Verificați dacă există daune la suportul cuțitului și la bolțul cuțitului.
 - a) Dacă înlocuiți cuțitul sau suportul cuțitului, înlocuiți și bolțul cuțitului, șaiba elastică și șaiba de fricțiune.
4. Examinați arborele motorului pentru a vă asigura că nu s-a îndoit.
5. Când montați un cuțit nou, asigurați-vă că capetele îndoite sunt îndreptate în direcția capacului de tăiere. (Fig. 38)
6. Poziționați șaiba de fricțiune și cuțitul pe suportul cuțitului. (Fig. 39)
7. Asigurați-vă de alinierea cuțitului cu centrul arborelui motorului. (Fig. 40)
8. Blocați cuțitul cu o bucată de lemn. (Fig. 41)
9. Montați șaiba elastică și strângeți bolțul la un cuplu de 80 Nm. (Fig. 42)
10. Învârtiți cuțitul cu mâna și asigurați-vă că se rotește liber.



AVERTISMENT: Utilizați mănuși de protecție. Cuțitul este foarte ascuțit și vă puteți tăia foarte ușor.

11. Porniți produsul pentru a efectua un test al cuțitului. Dacă acesta nu este fixat corect, produsul vibrează sau rezultatele sunt nesatisfăcătoare.

Verificarea nivelului de ulei



ATENȚIE: Un nivel de ulei prea redus poate deteriora motorul. Efectuați o verificare a nivelului de ulei înainte să porniți produsul.

1. Așezați produsul pe teren drept.
2. Scoateți bușonul rezervorului cu joja atașată.
3. Curățați joja de ulei.
4. Introduceți complet joja în rezervorul de ulei. Strângeți bușonul rezervorului de ulei pentru a vă asigura că aveți o imagine corectă a nivelului de ulei.
5. Scoateți joja.
6. Examinați nivelul de ulei de pe joă.
7. Dacă nivelul uleiului este scăzut, completați cu ulei de motor și verificați din nou nivelul.

(Fig. 43)

Nota: Folosiți o pâlnie pentru a preveni scurgerile.

Înlocuirea uleiului de motor



AVERTISMENT: Imediat după oprirea motorului, uleiul de motor este foarte fierbinte. Lăsați motorul să se răcească înainte de a-l goli de ulei. Dacă uleiul de motor intră în contact cu pielea, curățați cu apă și săpun.

(Fig. 44)

1. Scoateți cablul de alimentare a aprinderii din bujie.
2. Scoateți bușonul rezervorului de ulei.
3. Goliți uleiul de motor.
 - a) Pentru modelele cu bușon de scurgere a uleiului: Puneți un recipient sub bușonul de scurgere pentru a colecta uleiul de motor.
 - b) Pentru modelele fără bușon de scurgere a uleiului sau dacă nu se poate pune un recipient sub bușon: Folosiți o pompă de ulei (accesoriu) pentru a goli uleiul de motor din rezervor.
4. Umpleți cu ulei de motor proaspăt de tipul recomandat în *Date tehnice la pagina 289*.
5. Verificați nivelul de ulei. Consultați *Verificarea nivelului de ulei la pagina 287*.

Filtru de aer

Nota: Un filtru de aer aflat în uz timp îndelungat nu poate fi curățat complet. Înlocuiți filtrul de aer la intervale regulate. Întotdeauna înlocuiți un filtru de aer deteriorat.

Scoaterea și montarea filtrului de aer (KLIPPO LB 448SQ, KLIPPO LB 453SQ, KLIPPO LB 548Qe)



AVERTISMENT: Utilizați mănuși de protecție.

1. Apăsăți clemele de pe capacul filtrului de aer.
2. Scoateți cu grijă capacul filtrului de aer (A) de pe motor.
3. Scoateți filtrul de aer (B) și filtrul de spumă (C). (Fig. 45)
4. Verificați dacă filtrul de aer nu este deteriorat. Înlocuiți filtrul de aer dacă este deteriorat.
5. Curățați și examinați filtrul de aer. Consultați *Curățarea filtrului de aer (KLIPPO LB 448SQ, KLIPPO LB 453SQ, KLIPPO LB 548Qe) la pagina 288.*
6. Instalați în ordine inversă.

Curățarea filtrului de aer (KLIPPO LB 448SQ, KLIPPO LB 453SQ, KLIPPO LB 548Qe)



ATENȚIE: Nu lăsați motorul să funcționeze fără un filtru de aer atașat sau dacă filtrul de aer este murdar.



ATENȚIE: Înlocuiți filtrul de aer dacă nu poate fi curățat complet sau dacă este deteriorat. Un filtru de aer defectuos duce la deteriorarea motorului.

1. Apăsăți clapetele închizătorii (A), demontați capacul filtrului de aer (B) și scoateți filtrul de aer (C). (Fig. 46)
2. Loviți filtrul de aer de o suprafață dură sau suflați aer comprimat din partea curată a filtrului de aer.



ATENȚIE: Nu folosiți o perie pentru a înlătura murdăria, deoarece aceasta împinge murdăria în filtrul de aer.

3. Curățați suportul filtrului de aer (D) și capacul filtrului de aer cu o cârpă umedă.



ATENȚIE: Aveți grijă să nu pătrundă murdărie în conducta de aer (E).

4. Instalați filtrul de aer. Asigurați-vă că filtrul de aer se prinde etanș pe suportul filtrului de aer.
5. Montați capacul filtrului de aer mai întâi cu clapetele inferioare.

Curățarea filtrului de aer (KLIPPO LB 448S, KLIPPO LB 453S)



ATENȚIE: Nu lăsați motorul să funcționeze fără un filtru de aer atașat sau dacă filtrul de aer este murdar.



ATENȚIE: Înlocuiți filtrul de aer dacă nu poate fi curățat complet sau dacă este deteriorat. Un filtru de aer defectuos duce la deteriorarea motorului.

1. Apăsăți clapetele închizătorii (A), demontați capacul filtrului de aer (B) și scoateți filtrul de aer (C). (Fig. 47)
2. Loviți filtrul de aer de o suprafață dură sau suflați aer comprimat din partea curată a filtrului de aer.



ATENȚIE: Nu folosiți o perie pentru a înlătura murdăria, deoarece aceasta împinge murdăria în filtrul de aer.

3. Curățați suportul filtrului de aer (D) și capacul filtrului de aer cu o cârpă umedă.



ATENȚIE: Aveți grijă să nu pătrundă murdărie în conducta de aer (E).

4. Instalați filtrul de aer. Asigurați-vă că filtrul de aer se prinde etanș pe suportul filtrului de aer.
5. Montați capacul filtrului de aer mai întâi cu clapetele inferioare.

Pentru a verifica bujia



ATENȚIE: Folosiți întotdeauna tipul recomandat de bujie. Tipul incorrect de bujie poate defecta produsul.

- Verificați bujia dacă motorul nu are putere, nu pornește ușor sau nu funcționează corect la turații de mers în gol.
- Pentru a reduce riscul prezenței materialelor nedorite la electrozii bujiei, respectați aceste instrucțiuni:
 - a) Asigurați-vă că turația de mers în gol este corect reglată.
 - b) Asigurați-vă că amestecul este corect.
 - c) Asigurați-vă că filtrul de aer este curat.
- Dacă bujia este murdară, curățați-o și asigurați-vă că distanța dintre electrozii este corectă, consultați *Date tehnice la pagina 289.* (Fig. 48)

- Înlocuiți bujia atunci când este necesar.

Pentru a examina sistemul de alimentare cu carburant

- Examinați bușonul rezervorului de carburant și garnitura bușonului rezervorului de carburant pentru a vă asigura că nu există deteriorări.
- Examinați furtunul de carburant pentru a vă asigura că nu există scurgeri. Dacă furtun de carburant este deteriorat, trebuie înlocuit de către un agent de service.

Pentru a regla cablul de ambreiaj

Dacă transmisia este lentă, trebuie reglat cablul de ambreiaj.

- Rotiți șurubul de reglare. (Fig. 49)

Cablul ambreiajului este reglat corect atunci când brida cablului de ambreiaj se aliniază cu piulița.

(Fig. 50)

Transportul, depozitarea și eliminarea

Transportul și depozitarea

- Pentru depozitarea și transportul produsului și a carburantului, asigurați-vă că nu există scurgeri și gaze. Scânteele sau flăcările deschise, de exemplu cele provenite de la dispozitive sau boilere electrice, pot cauza un incendiu.
- Utilizați întotdeauna recipiente omologate pentru depozitarea și transportarea combustibilului.
- Goliți rezervorul de carburant și depozitați produsul pentru o perioadă lungă de timp. Eliminați carburantul într-o locație de eliminare autorizată
- Fixați în siguranță produsul în timpul transportului pentru a preveni daunele și accidentele.
- Păstrați produsul într-o zonă restricționată pentru a preveni accesul copiilor sau al persoanelor neautorizate.

- Păstrați produsul într-un spațiu uscat și ferit de îngheț.

Dezafectarea

- Respectați cerințele de reciclare și reglementările locale aplicabile.
- Eliminați toate substanțele chimice, precum uleiul de motor sau carburantul, la un centru de service sau într-o locație de eliminare autorizată.
- Atunci când produsul nu mai este în uz, trimiteți-l la un distribuitor Husqvarna sau casați-l într-o locație de reciclare.

Date tehnice

Date tehnice

	KLIPPO LB 448S	KLIPPO LB 448SQ	KLIPPO LB 453S	KLIPPO LB 453SQ	KLIPPO LB 548SQe
Motor					
Marcă	Honda	Husqvarna	Honda	Husqvarna	Husqvarna
Model	GCVX-145	HS 166AP	GCVx-170	HS 166AP	HS 166AP
Tip de motor	Cu un cilindru, în 4 timpi, răcire forțată cu aer, OHV	Cu un cilindru, în 4 timpi, răcire forțată cu aer, OHV	Cu un cilindru, în 4 timpi, răcire forțată cu aer, OHV	Cu un cilindru, în 4 timpi, răcire forțată cu aer, OHV	Cu un cilindru, în 4 timpi, răcire forțată cu aer, OHV
Cilindree, cm ³	145	166	166	166	166
Turație, rpm	2900	2900	2900	2900	2900

	KLIPPO LB 448S	KLIPPO LB 448SQ	KLIPPO LB 453S	KLIPPO LB 453SQ	KLIPPO LB 548SQe
Putere nominală motor, kW ¹⁰¹	2,7	2,75	3,3	2,75	2,75
Sistem de aprindere					
Bujie	NGK BPR5ES	Husqvarna HQT-7	NGK BPR5ES	Husqvarna HQT-7	Husqvarna HQT-7
Spațiu electrod, mm	0,7-0,8	0,7-0,8	0,7-0,8	0,7-0,8	0,7-0,8
Carburant și sistem de lubrifiere					
Tip de lubrifiere a motorului	Stropire	Stropire	Stropire	Stropire	Stropire
Capacitate rezervor de carburant, litri	0,9	1,5	0,9	1,5	1,5
Capacitate rezervor de ulei, litri	0,5	0,5	0,55	0,5	0,5
Ulei pentru motor ¹⁰²	Husqvarna SAE 30	Husqvarna SAE 30	Husqvarna SAE 30 / SAE 10W-30	Husqvarna SAE 30 / SAE 10W-30	Husqvarna SAE 30 / SAE 10W-30
Greutate					
Cu rezervoare goale, kg	30,5	32,5	33	33,5	34,5
Emisii de zgomot ¹⁰³					
Nivel de putere acustică, măsurat dB(A)	90	93	91	94	92
Nivel de putere acustică garantat L _{WA} dB(A)	91	93	94	95	93
Niveluri de zgomot ¹⁰⁴					
Nivel de presiune a sunetului la urechea operatorului, dB(A)	77	79	78	81	79
Niveluri de vibrații, a_{hveq} ¹⁰⁵					
Mâner, m/s ²	4,5	4,2	5,3	6,4	4
Accesorii de tăiere					
Înălțime de tăiere, mm	30-60	30-60	30-60	30-60	30-60
Lățime de tăiere, mm	480	480	530	530	480

¹⁰¹ Puterea nominală indicată a motorului este puterea de ieșire medie netă (la turatia specificată) a unui motor de producție normal pentru modelul de motor, măsurată conform standardului SAE J1349/ISO1585. Motoarele de producție în masă pot prezenta valori diferite de aceasta. Puterea efectivă pentru motorul instalat pe produsul final va depinde de viteza de funcționare, de condițiile de mediu și de alte valori.

¹⁰² Dacă se folosește ulei SAE-30 la temperaturi mai joase de +5 °C, există riscul să nu lubrifice suficient motorul. Acest lucru poate cauza deteriorarea motorului. Consultați *Înlocuirea uleiului de motor la pagina 287* pentru uleiul corect pentru temperaturi scăzute.

¹⁰³ Emisiile de zgomot în mediu măsurate ca putere acustică (L_{WA}) în conformitate cu directiva CE 2000/14/CE.

¹⁰⁴ Presiunea nivelului de zgomot conform ISO 5395. Datele raportate pentru nivelul presiunii zgomotului prezintă o dispersie statistică tipică (abatere standard) de 1,2 dB(A).

¹⁰⁵ Nivelul de vibrații conform ISO 5395. Datele raportate pentru nivelul de vibrații prezintă o dispersie statistică tipică (abatere standard) de 0,2 m/s².

	KLIPPO LB 448S	KLIPPO LB 448SQ	KLIPPO LB 453S	KLIPPO LB 453SQ	KLIPPO LB 548SQe
Lamă	iarbă mă- runțită - 48 cm 5028813-10	iarbă mă- runțită - 48 cm 5028813-10	iarbă mă- runțită - 53 cm 5028814-10	iarbă mă- runțită - 53 cm 5028814-10	iarbă mă- runțită - 48 cm 5028813-10
Viteza					
de deplasare, km/h	4,5	4,5	4,5	4,5	4,5

Declarație de conformitate

Declarație de conformitate UE

Noi, **Husqvarna AB**, SE-561 82 Huskvarna, Suedia, tel.:
+46-36-146500, declarăm pe propria răspundere, că
produsul:

Descriere	Mașină de tuns iarbă
Marcă	Husqvarna
Tip/Model	KLIPPO LB 448S, KLIPPO LB 453S, KLIPPO LB 448SQ, KLIPPO LB 453SQ, KLIPPO LB 548SQe
Identificare	Numerele de serie începând cu 2022

respectă în totalitate următoarele directive și
reglementări UE:

Direktivă/Regula- ment	Descriere
2006/42/CE	„privind echipamentele tehnice”
2014/30/UE	„privind compatibilitatea electromagnetică”
2000/14/CE	„privind emisiile de zgomot în mediul înconjurător”
2011/65/UE	„privind restricțiile de utilizare a anumitor substanțe periculoase la echipamente electrice și electronice”

și că au fost aplicate următoarele standarde și/sau
specificații tehnice: EN ISO 5395-1:2013/A1:2018,
EN ISO 5395-2:2013/A1:2016/A2:2017, EN ISO
14982:2009, EN IEC 63000:2018.

Organismul notificat: 0404, RISE SMP Svensk
Maskinprovning AB, Box 4053, SE-904 03 Umeå,
Sweden. a certificat conformitatea cu directiva
2000/14/CE a consiliului, procedura de evaluare a
conformității: Anexa VI.

Pentru informații privind emisiile de zgomot, consultați
Date tehnice la pagina 289.

Huskvarna, 2023-02-07



Claes Losdal, Director de Dezvoltare / Produse de
grădinărit, Husqvarna AB

Responsabil pentru documentația tehnică



Содержание

Введение.....	293	Техническое обслуживание.....	300
Безопасность.....	294	Транспортировка, хранение и утилизация.....	304
Сборка.....	298	Технические данные.....	304
Эксплуатация.....	298	Декларация о соответствии.....	307

Введение

Описание изделия

Изделие представляет собой роторную газонокосилку с пешеходным управлением, которая использует BioClip® для измельчения скошенной травы в удобрение.

Назначение

Используйте изделие для стрижки травы. Запрещается использовать изделие для других видов работ.

Обзор изделия

(Рис. 1)

1. Рукоятка / рукоятка управления
2. Рукоятка тормоза двигателя
3. Рычаг привода
4. Ручка шнура стартера
5. Крышка маслосазливной горловины
6. Кожух ремня
7. Глушитель
8. Свеча зажигания
9. Кожух ремня
10. Топливный бак
11. Рычаг регулировки угла рукоятки
12. Система гашения вибраций
13. Регулировка троса сцепления
14. Рычаг регулировки высоты кошения
15. Топливный клапан
16. Воздушный фильтр
17. Кожух режущего оборудования
18. Пружинная шайба
19. Болт ножа
20. Нож
21. Держатель ножа
22. Заглушка для мульчирования KLIPPO LB 448S, KLIPPO LB 448SQ, KLIPPO LB 548SQe
23. Руководство по эксплуатации

понимаете приведенные в нем инструкции.

(Рис. 4) Берегитесь отскакивающих предметов и рикошетов.

(Рис. 5) Следите за тем, чтобы в зоне проведения работ не было людей и животных.

(Рис. 6) Остановите двигатель и отсоедините кабель зажигания, прежде чем приступать к ремонту или техобслуживанию.

(Рис. 7) Предупреждение. Не подносите руки и ноги к вращающимся частям.

(Рис. 8) Предупреждение. Держите руки и ноги на безопасном расстоянии от вращающегося ножа.

(Рис. 9) Данное изделие отвечает требованиям соответствующих директив ЕС.

(Рис. 10) Данное изделие соответствует действующим директивам Великобритании.

(Рис. 11) Данное изделие отвечает требованиям действующих директив Таможенного союза ЕАЭС. Действительно только для KLIPPO LB 448S & KLIPPO LB 453S.

(Рис. 12) Табличка с уровнем эмиссии шума в окружающую среду в соответствии с директивами и нормативами Европейского союза, Великобритании и законодательством Нового Южного Уэльса "Регламент 2017 года по защите

Символы на изделии

(Рис. 2) ПРЕДУПРЕЖДЕНИЕ. Небрежная или неправильная эксплуатация может привести к травме или смерти оператора или других лиц.

(Рис. 3) Перед началом работы внимательно прочитайте руководство по эксплуатации и убедитесь, что

окружающей среды (контроль уровня шума)". Гарантированный уровень мощности звука изделия указан в разделе *Технические данные на стр. 304* и на табличке.

(Рис. 13) Сканируемый код.

Примечание: Другие символы/наклейки на изделии относятся к специальным юридическим требованиям на определенных рынках.

Наклейка на изделии, только для Австралии и Новой Зеландии

(Рис. 14)

Не приближайте руки или ноги к вращающемуся ножу.

Соответствие уровня токсичных выбросов стандарту Euro V



ПРЕДУПРЕЖДЕНИЕ: В случае вмешательства в работу двигателя данное изделие перестанет соответствовать нормативам ЕС.

Безопасность

Инструкции по технике безопасности

Предупреждения, предостережения и примечания используются для выделения особо важных пунктов руководства.



ПРЕДУПРЕЖДЕНИЕ: Используется, когда несоблюдение инструкций руководства может привести к травмам или смерти оператора или находящихся рядом посторонних лиц.



ВНИМАНИЕ: Используется, когда несоблюдение инструкций руководства может привести к повреждению изделия, других материалов или прилегающей территории.

Примечание: Используется для предоставления дополнительных сведений о конкретной ситуации.

Ответственность изготовителя

В соответствии с законами об ответственности изготовителя мы не несем ответственности за ущерб, вызванный эксплуатацией нашего изделия в результате:

- ненадлежащего ремонта изделия;
- использования для ремонта изделия неоригинальных деталей или деталей, не одобренных производителем;
- использования неоригинальных дополнительных принадлежностей или принадлежностей, не одобренных производителем;
- ремонта изделия в неавторизованном сервисном центре или неквалифицированным специалистом;

Общие инструкции по технике безопасности



ПРЕДУПРЕЖДЕНИЕ: В обязательном порядке прочитайте следующие инструкции по технике безопасности, прежде чем приступать к эксплуатации изделия.

- При небрежном или неправильном обращении изделие может представлять собой опасность. Несоблюдение инструкций по технике безопасности может привести к травмам или смерти.
- Во время работы данное изделие создает электромагнитное поле. В определенных обстоятельствах это поле может создавать помехи для пассивных и активных медицинских имплантатов. В целях снижения риска серьезной или смертельной травмы лицам с медицинскими имплантатами рекомендуется проконсультироваться с врачом и изготовителем имплантата, прежде чем приступать к эксплуатации данного изделия.
- Всегда соблюдайте осторожность и руководствуйтесь здравым смыслом. Если вы не уверены, как правильно эксплуатировать изделие в определенной ситуации, прекратите работу

и проконсультируйтесь с дилером Husqvarna, прежде чем продолжать.

- Помните: ответственность за несчастные случаи, угрожающие другим людям или их имуществу, несет оператор изделия.
- Содержите изделие в чистоте. Следите за тем, чтобы знаки и наклейки были легко читаемыми.
- Не разрешайте пользоваться изделием людям, не убедившись сначала в том, что они прочитали и поняли содержание руководства по эксплуатации.
- Не позволяйте детям использовать изделие.
- Не допускайте детей в рабочую зону. Они должны постоянно находиться под присмотром взрослого.
- Не допускайте к работе с изделием людей, которые не знакомы с данными инструкциями.
- Не оставляйте без присмотра людей с физическими или умственными нарушениями, использующих изделие. Они должны постоянно находиться под присмотром взрослого.
- Ни в коем случае не используйте изделие, если вы устали, больны или находитесь под воздействием алкоголя, наркотических веществ или лекарственных препаратов. Это может повлиять на ваше зрение, реакцию, координацию или оценку действительности.
- Не используйте изделие, если оно повреждено или работает неправильно.
- Запрещается вносить изменения в изделие или использовать его, если вы подозреваете, что конструкция была модифицирована.
- Не изменяйте настройку системы управления частотой вращения двигателя.

Техника безопасности на рабочем месте



ПРЕДУПРЕЖДЕНИЕ: В обязательном порядке прочитайте следующие инструкции по технике безопасности, прежде чем приступать к эксплуатации изделия.

- Уберите ветви, сучья, камни и прочие посторонние предметы из рабочей зоны перед началом эксплуатации изделия.
- Предметы, ударяющиеся о режущий инструмент, могут быть отброшены, что приведет к травмам или повреждению имущества. Следите за тем, чтобы посторонние лица и животные находились на безопасном расстоянии от изделия.
- Ни в коем случае не используйте изделие при неблагоприятных погодных условиях, например, в туман, дождь, при сильном ветре, низких температурах и риске удара молнии. Эксплуатация изделия при плохих погодных условиях или на сырых участках утомительна. Плохие погодные условия могут создавать

опасные условия для работы, например, скользкие поверхности.

- Следите за возможным появлением посторонних лиц, предметов или условий, которые могут препятствовать безопасной эксплуатации изделия.
- Следите за возможным появлением препятствий, таких как корни, камни, сучья, ямы или рвы. Высокая трава может скрывать препятствия.
- Стрижка травы на склоне может представлять опасность. Запрещается использовать изделие на участках с уклоном более 15°.
- Используйте изделие поперек поверхности склона. Не передвигайтесь вверх и вниз по поверхности склона.
- Проявляйте особую осторожность при приближении к скрытым из видимости поворотам или предметам, которые могут затруднять обзор.

Техника безопасности



ПРЕДУПРЕЖДЕНИЕ: В обязательном порядке прочитайте следующие инструкции по технике безопасности, прежде чем приступать к эксплуатации изделия.

- Изделие предназначено исключительно для скашивания травы на газонах. Запрещается использовать изделие не по назначению.
- Пользуйтесь средствами индивидуальной защиты. См. раздел *Средства индивидуальной защиты на стр. 296*.
- Убедитесь, что вы знаете, как быстро остановить двигатель в аварийной ситуации.
- Запрещается запускать двигатель в закрытом помещении или вблизи легковоспламеняющихся материалов. Выхлопные газы двигателя имеют высокую температуру и могут содержать искры, которые в свою очередь могут привести к пожару.
- Ни в коем случае не используйте изделие с отсутствующими или неправильно установленными кожухами или ножом. Неправильно установленный нож может высвободиться и причинить травму.
- Следите за тем, чтобы в нож не попали посторонние предметы, например, камни и корни. Это может затупить нож и привести к искривлению вала двигателя. При сгибании оси увеличивается уровень вибрации, что может привести к снижению надежности крепления ножа.
- В случае столкновения ножа с посторонним предметом или возникновения вибрации незамедлительно остановите изделие. Отсоедините кабель от свечи зажигания. Проверьте изделие на наличие повреждений. Выполните ремонт повреждений или обратитесь в авторизованный сервисный центр для выполнения ремонта.

- Запрещается на постоянной основе фиксировать рукоятку тормоза двигателя при работающем двигателе.
- При запуске изделие должно находиться на устойчивой, ровной поверхности. Убедитесь, что нож не касается грунта или любого другого предмета.
- При работе с изделием всегда стойте сзади.
- При работе с изделием все колеса должны стоять на земле; держите рукоятку обеими руками. Не приближайте руки или ноги к вращающимся ножам.
- Запрещается наклонять изделие при работающем двигателе.
- Соблюдайте осторожность, когда тянете изделие назад.
- Запрещается поднимать изделие при работающем двигателе. Если вам необходимо поднять изделие, сначала остановите двигатель и отсоедините кабель от свечи зажигания.
- Запрещается двигаться назад при работе с изделием.
- Останавливайте двигатель, когда пересекаете непокрытые травой зоны, например, дорожки из гравия, камня или асфальта.
- Запрещается бегать с изделием при работающем двигателе. Работайте с изделием в спокойном темпе.
- Выключайте двигатель, прежде чем изменить высоту стрижки. Ни в коем случае не выполняйте регулировку при работающем двигателе.
- Ни в коем случае не выпускайте изделие из вида при работающем двигателе. Остановите двигатель и убедитесь, что режущее оборудование не вращается.

Инструкции по безопасности во время эксплуатации

Средства индивидуальной защиты



ПРЕДУПРЕЖДЕНИЕ: В обязательном порядке прочитайте следующие инструкции по технике безопасности, прежде чем приступить к эксплуатации изделия.

- Средства индивидуальной защиты не могут полностью исключить риск получения травмы, но при несчастном случае они снижают тяжесть травмы. За помощью по правильному выбору оборудования обращайтесь к дилеру.
- Если уровень шума превышает 85 дБ, следует использовать защитные наушники.
- Используйте прочные, противоскользящие ботинки. Запрещается надевать открытую обувь или работать босиком.
- Надевайте прочные длинные брюки.

- При необходимости надевайте защитные перчатки, например, при закреплении, проверке или очистке режущего оборудования.

Защитные устройства на изделии



ПРЕДУПРЕЖДЕНИЕ: В обязательном порядке прочитайте следующие инструкции по технике безопасности, прежде чем приступить к эксплуатации изделия.

- Не используйте изделие, если защитные устройства повреждены или работают неправильно.
- Регулярно выполняйте проверку защитных устройств. Если защитные устройства повреждены или работают неправильно, обратитесь в сервисный центр Husqvarna.
- Запрещается вносить изменения в защитные устройства.

Проверка режущей деки

Режущая дека снижает уровень вибрации изделия и риск травмирования ножом.

- Проверьте режущую деку и убедитесь, что на ней отсутствуют повреждения, такие как трещины.

Проверка кожура ремня

Кожух ремня снижает риск травмы и предотвращает выброс поврежденного приводного ремня.

- Убедитесь, что кожух ремня цел и правильно закреплен на изделии. (Рис. 15)

Рукоятка тормоза двигателя

Рукоятка тормоза двигателя предназначена для остановки двигателя. При отпуске рукоятки тормоза двигатель останавливается.

Для выполнения проверки тормоза двигателя запустите двигатель, а затем отпустите рукоятку тормоза. Если двигатель не остановится через 3 секунды, обратитесь в авторизованный сервисный центр Husqvarna для регулировки тормоза двигателя.

(Рис. 16)

Проверка системы гашения вибраций



ПРЕДУПРЕЖДЕНИЕ:

Длительное воздействие вибрации может привести к нарушению кровообращения или расстройствам нервной системы у лиц с нарушенным кровообращением. В случае появления тревожных симптомов обратитесь за медицинской помощью. К таким симптомам относятся онемение, потеря чувствительности, ощущение

щекотки и покалывания, боли, потеря силы или слабость, изменение цвета или состояния кожи. Как правило, подобные симптомы проявляются на пальцах, руках или запястьях.

Система гашения вибраций снижает уровень вибрации на ручках во время работы.

Стальная трубка в рукоятке и режущая дека снижают уровень вибрации. Модель KLIPPO LB 548SQe также оснащена 4 виброгасителями, прикрепленными к рукоятке.

- Проверьте рукоятку и виброгасители на наличие повреждений. (Рис. 17)

Держатель ножа

Держатель ножа снижает риск деформации вала двигателя. При столкновении ножа с предметом нож смещается в сторону держателя. При этом поверхность держателя ножа подвергается износу. Наличие износа указывает на то, что защита вала двигателя работает должным образом.

Глушитель

Глушитель предназначен для максимального снижения уровня шума и отвода выхлопных газов в сторону от оператора.

Запрещается использовать изделие, если глушитель поврежден или отсутствует. Повреждение глушителя приводит к повышению уровня шума и риску возгорания.



ПРЕДУПРЕЖДЕНИЕ:

Глушитель сильно нагревается в ходе работы и остается горячим после окончания работы, а также во время работы двигателя на холостых оборотах. Во избежание возгорания соблюдайте осторожность при работе вблизи легковоспламеняющихся материалов и/или паров.

Проверка глушителя

- Регулярно осматривайте глушитель и проверяйте, что он правильно закреплен и не поврежден.

Правила безопасного обращения с топливом



ПРЕДУПРЕЖДЕНИЕ: В обязательном порядке прочитайте следующие инструкции по технике безопасности, прежде чем приступать к эксплуатации изделия.

- Запрещается запускать изделие, если на него попало топливо или моторное масло. Удалите постороннее топливо/масло и дайте изделию высохнуть.
- Если топливо попало на одежду, немедленно смените ее.
- Не допускайте попадания топлива на тело, это может причинить вред здоровью. При попадании топлива на тело смойте его водой с мылом.
- Запрещается запускать изделие при наличии утечки из двигателя. Регулярно проверяйте двигатель на наличие утечек.
- Соблюдайте осторожность при обращении с топливом. Топливо является легковоспламеняющейся жидкостью со взрывоопасными парами и может привести к серьезным или смертельным травмам.
- Запрещается вдыхать пары топлива, т. к. это может причинить вред здоровью. Убедитесь в наличии достаточного потока воздуха.
- Запрещается курить вблизи топлива или двигателя.
- Запрещается ставить теплые предметы рядом с топливом или двигателем.
- Запрещается доливать топливо при работающем двигателе.
- Прежде чем заправить изделие, убедитесь, что двигатель полностью остыл.
- Перед заправкой топлива медленно откройте крышку топливного бака и осторожно сбросьте давление.
- Запрещается заливать топливо в двигатель в помещении. Недостаточная вентиляция может привести к травме или смерти в результате удушья или отравления угарным газом.
- Плотнo затяните крышку топливного бака. Если крышка топливного бака не затянута, возникает риск пожара.
- Переместите изделие минимум на 3 м / 10 футов от места заправки топливом, прежде чем запустить его.
- Никогда не заправляйте топливный бак полностью. Тепло приводит к расширению топлива. Оставьте место в верхней части топливного бака.

Инструкции по технике безопасности во время технического обслуживания



ПРЕДУПРЕЖДЕНИЕ: В обязательном порядке прочитайте следующие инструкции по технике безопасности, прежде чем приступать к эксплуатации изделия.

- Выхлопные газы из двигателя содержат окись углерода — не имеющий запаха, токсичный

и чрезвычайно опасный газ. Запрещается запускать двигатель в помещении или в замкнутых пространствах.

- Прежде чем приступить к техобслуживанию изделия, остановите двигатель и отсоедините кабель от свечи зажигания.
- Надевайте защитные перчатки при техобслуживании режущего оборудования. Нож очень острый, что при неосторожном обращении может легко привести к порезам.
- Использование принадлежностей или внесение изменений в конструкцию изделия, не одобренных производителем, может привести к серьезным или смертельным травмам. Запрещается вносить изменения в конструкцию

изделия. Пользуйтесь только рекомендованными производителем принадлежностями.

- При несоблюдении правил и сроков выполнения техобслуживания риск получения травмы или повреждения изделия возрастает.
- Выполняйте техобслуживание строго в соответствии с инструкциями, приведенными в руководстве по эксплуатации. Все прочие виды сервисного обслуживания должны проводиться в авторизованном сервисном центре Husqvarna.
- Регулярно обращайтесь в авторизованный сервисный центр Husqvarna для проведения техобслуживания изделия.
- Замените поврежденные, сломанные или изношенные детали.

Сборка

Введение



ПРЕДУПРЕЖДЕНИЕ: Перед сборкой изделия ознакомьтесь с разделом, посвященным безопасности, и усвойте его содержание.



ПРЕДУПРЕЖДЕНИЕ: Перед сборкой изделия снимите со свечи зажигания провод свечи зажигания.

Установка и регулировка рукоятки

1. Отверните гайку рукоятки и снимите шайбу с пластины на верхней рукоятке.
2. Установите верхнюю рукоятку в соответствующее положение над нижней рукояткой.



ВНИМАНИЕ: Убедитесь, что провода не защемлены и не повреждены.

3. Установите шайбу и заверните гайку рукоятки. (Рис. 18)
4. При эксплуатации изделия около стены поверните рукоятку в сторону, чтобы обеспечить надлежащее рабочее положение. (Рис. 19)
5. Поверните регулировочные колеса на шасси для вертикальной регулировки рукоятки. (Рис. 20)

Установка пробки для мульчирования (KLIPPO LB 448S, KLIPPO LB 448SQ, KLIPPO LB 548SQe)

1. Наклоните изделие назад таким образом, чтобы свеча зажигания была сверху.
2. Вставьте штифты пробки для мульчирования в отверстие с внутренней стороны режущей деки. (Рис. 21)
3. Заверните винты пробки для мульчирования с внешней стороны режущей деки. (Рис. 22)

Эксплуатация

Введение



ПРЕДУПРЕЖДЕНИЕ: Перед эксплуатацией прибора необходимо внимательно изучить раздел безопасности.

- Дополнительная информация об изделии.
- Сведения о деталях и помощь в техническом обслуживании.

Как начать использовать Husqvarna Connect

1. Загрузите приложение Husqvarna Connect на свое мобильное устройство.
2. Зарегистрируйтесь в приложении Husqvarna Connect.
3. Выполните пошаговые инструкции в приложении Husqvarna Connect для подключения и регистрации изделия.

Husqvarna Connect

Husqvarna Connect представляет собой бесплатное приложение для мобильного устройства. Приложение Husqvarna Connect позволяет пользоваться расширенными функциями вашего изделия Husqvarna:

Перед началом эксплуатации изделия

1. Внимательно прочитайте руководство по эксплуатации и убедитесь, что понимаете приведенные здесь инструкции.
2. Осмотрите режущее оборудование и убедитесь, что оно правильно закреплено и отрегулировано. См. раздел *Проверка режущего оборудования на стр. 301*.
3. Заполните топливный бак. См. раздел *Заправка топливом на стр. 299*.
4. Заполните масляный бак и проверьте уровень масла. См. раздел *Проверка уровня масла на стр. 302*.

Заправка топливом

По возможности пользуйтесь экологическим/алкилатным бензином. При невозможности использовать экологический/алкилатный бензин используйте качественный неэтилированный или этилированный бензин с октановым числом не ниже 90.



ВНИМАНИЕ: Не используйте бензин с октановым числом меньше 90 RON (87 AKI). Это может привести к повреждению изделия.

1. Медленно откройте крышку топливного бака, чтобы стравить давление.
2. Медленно залейте топливо из канистры. Если вы пролили топливо, протрите его тряпкой и дайте оставшемуся топливу высохнуть. (Рис. 23)
3. Очистите поверхность вокруг крышки топливного бака.
4. Плотно затяните крышку топливного бака. Если крышка топливного бака не затянута, возникает риск пожара.
5. Переместите изделие минимум на 3 м (10 футов) от места заправки топливом, прежде чем запустить его.

Регулировка высоты стрижки

Высоту стрижки возможно установить на 6 разных уровнях.

1. Переведите рычаг регулировки высоты стрижки вперед, чтобы увеличить высоту стрижки.
2. Переведите рычаг регулировки высоты стрижки назад, чтобы уменьшить высоту стрижки.



ВНИМАНИЕ: Не устанавливайте высоту стрижки слишком низко. Ножи могут удариться о землю, если поверхность газона неровная.

Запуск изделия

1. Убедитесь, что кабель подсоединен к свече зажигания.
2. Откройте топливный клапан. (Рис. 24)
3. Стойте сзади изделия.
4. Прижмите рукоятку тормоза двигателя к рукоятке. (Рис. 25)
5. Держите рукоятку стартера правой рукой.
6. Медленно потяните за шнур стартера, пока не почувствуете некоторое сопротивление.
7. Резко потяните трос, чтобы завести двигатель.



ПРЕДУПРЕЖДЕНИЕ: Не накручивайте шнур стартера вокруг руки.



ВНИМАНИЕ: Не вытягивайте шнур стартера полностью. Не отпускайте ручку шнура стартера при вытянутом шнуре.

Использование привода колес

- Опустите рычаг привода. (Рис. 26)
- Прежде чем потянуть изделие назад, отключите привод и толкните изделие вперед примерно на 10 см.
- Немного отпустите рукоятку тормоза двигателя, чтобы отключить привод, например, при приближении к препятствию.

Остановка изделия

- Для остановки только привода немного отпустите рукоятку тормоза двигателя.
- Для остановки двигателя полностью отпустите рукоятку тормоза двигателя.
- Закройте топливный клапан. (Рис. 27)

Достижение оптимальных результатов

- Всегда пользуйтесь хорошо заточенным ножом. Затупившийся нож будет стричь траву неровно, и в месте среза трава будет желтеть. При использовании острого ножа также затрачивается меньше энергии, чем при работе с затупившимся ножом.
- Не срезайте более 1/3 всей длины травы. Выполните первую стрижку на большей высоте. Проверьте полученный результат и уменьшите высоту стрижки до необходимого уровня. Если трава высокая, передвигайте газонокосилку медленно и, при необходимости, используйте газонокосилку 2 раза.
- Если вы хотите избежать образования полос на вашем газоне, следует каждый раз стричь его в разных направлениях.

- Следите за чистотой режущей деки. Скопление травы и грязи на внутренней стороне режущей деки может привести к ухудшению качества кошения. См. раздел *Очистка изделия снаружи на стр. 301.*

Техническое обслуживание

Вводная информация



ПРЕДУПРЕЖДЕНИЕ: Перед выполнением техобслуживания необходимо внимательно изучить и понять информацию в раздел по технике безопасности.

Для выполнения любых работ по сервисному обслуживанию и ремонту изделия необходимо пройти специальное обучение. Мы гарантируем доступность услуг по профессиональному ремонту и сервисному обслуживанию. Если ваш дилер не предоставляет услуги сервисного обслуживания,

обратитесь к нему для получения информации о ближайшем сервисном центре.

Дополнительную информацию см. в разделе www.husqvarna.com.

График технического обслуживания

График технического обслуживания составлен исходя из ежедневного использования изделия. Если изделие не используется ежедневно, интервалы техобслуживания изменятся.

Инструкции по техническому обслуживанию, отмеченному знаком *, см. в разделе *Защитные устройства на изделии на стр. 296.*

Техническое обслуживание	Ежедневно	Еженедельно	Ежемесячно
Выполните общий осмотр	X		
Проверьте уровень масла	X		
Очистите изделие	X		
Очистите воздушный фильтр	X		
Проверьте режущее оборудование	X		
Проверьте кожух режущего оборудования*	X		
Проверьте рукоятку тормоза двигателя*	X		
Проверьте глушитель*		X	
Проверьте свечу зажигания		X	
Проверьте приводной ремень на наличие повреждений			X
Очистите корпус редуктора			X
Для KLIPPO LB 448S, KLIPPO LB 453S. Замените масло (первый раз через 5 часов использования, затем через каждые 25 часов использования и ежегодно)			X
Для KLIPPO LB 448SQ, KLIPPO LB 453SQ, KLIPPO LB 548SQe. Замените масло (первый раз через 5 часов использования, затем через каждые 100 часов использования и ежегодно)			X
Замените воздушный фильтр			X
Проверьте топливную систему			X
Осмотрите и отрегулируйте привод (трос сцепления)			X

Выполнение общего осмотра

- Проверьте затяжку гаек и винтов на изделии.

Очистка изделия снаружи

- Используйте щетку для удаления листьев, травы и грязи.
- Убедитесь, что воздухозаборник в верхней части двигателя не заблокирован.
- Не используйте моечный агрегат высокого давления для чистки устройства.
- Если вы используете воду для очистки изделия, не допускайте попадания воды непосредственно на двигатель.

Очистка внутренней поверхности режущей деки

1. Положите изделие на бок таким образом, чтобы сторона с глушителем была направлена вниз.



ВНИМАНИЕ: Если положить изделие так, что воздушный фильтр будет направлен вниз, можно повредить двигатель.

2. Промойте водой из шланга внутренние поверхности режущей деки.

Проверка приводного ремня и очистка корпуса редуктора

1. Отверните 4 винта на кожухе ремня и снимите кожух ремня. (Рис. 28)
2. Проверьте приводной ремень и ременной шкив на наличие повреждений.
3. Используйте щетку для удаления листьев, травы и грязи с корпуса редуктора. (Рис. 29)

Замена и регулировка приводного ремня

1. Отверните 4 винта на кожухе ремня и снимите кожух ремня. (Рис. 28)
2. Вставьте плоскую отвертку между колпаком и правым передним колесом изделия.
3. Осторожно поверните отвертку, чтобы снять колпак.
4. Отверните колесный болт и снимите колесо. (Рис. 30)
5. Снимите приводной ремень с ременных шкивов.
6. Убедитесь, что ременные шкивы свободно двигаются на оси.
7. При необходимости распылите пропиточное масло между ременными шкивами и позади них, а также смажьте ось.

8. Установите новый приводной ремень; перед регулировкой приводного ремня правильно закрепите его на шариковом подшипнике. (Рис. 31)
9. Для регулировки приводного ремня переместите шариковый подшипник вверх или вниз. (Рис. 32)

Примечание: По мере использования новый приводной ремень растягивается. После нескольких часов работы отрегулируйте приводной ремень повторно.

10. Установите кожух ремня.
11. Запустите изделие, чтобы убедиться в правильности установки и регулировки приводного ремня.

Замена и регулировка центрального ремня

1. Снимите нож.

Примечание: Данный этап необязателен, если вы выполняете только регулировку центрального ремня.

2. Ослабьте регулировочные винты на несколько оборотов, но не снимайте их. (Рис. 33)
3. Замените центральный ремень и умеренно затяните регулировочные винты.

Примечание: Данный этап необязателен, если вы выполняете только регулировку центрального ремня.

4. Для регулировки центрального ремня переместите шестерню вперед или назад. (Рис. 34)
5. С помощью весов с крюком проверьте натяжение центрального ремня. Правильное натяжение ремня обеспечивается, если он может смещаться на 6-10 мм в центре. Это соответствует усилию в 3 кг. (Рис. 35)
6. Полностью затяните регулировочные винты моментом 3 Нм.
7. Запустите изделие, чтобы убедиться в правильности установки и регулировки приводного ремня.

Проверка режущего оборудования



ПРЕДУПРЕЖДЕНИЕ: Во избежание непреднамеренного запуска отсоедините кабель от свечи зажигания.



ПРЕДУПРЕЖДЕНИЕ: Надевайте защитные перчатки при техобслуживании режущего оборудования. Нож очень острый, что при

неосторожном обращении может легко привести к порезам.

1. Проверьте режущее оборудование на наличие поврежденных или трещин. Всегда заменяйте поврежденное режущее оборудование.
2. Осмотрите нож на наличие поврежденных или следов притупления.

Примечание: После заточки ножа необходимо выполнить его балансировку. Обратитесь в сервисный центр для выполнения заточки, замены и балансировки ножа. При столкновении с препятствием, которое привело в остановку изделия, замените поврежденный нож. Сервисный центр должен определить, следует ли заточить нож или лучше его заменить.

Замена ножа

1. Заблокируйте нож деревянным брусом. (Рис. 36)
2. Снимите болт ножа, пружинную шайбу и нож. (Рис. 37)
3. Проверьте держатель ножа и болт ножа на наличие повреждений.
 - а) В случае замены ножа или держателя ножа болт ножа, пружинная шайба и фрикционная шайба также подлежат замене.
4. Проверьте вал двигателя на наличие деформации.
5. При установке нового ножа следите за тем, чтобы согнутые края были обращены в сторону режущей деки. (Рис. 38)
6. Приложите фрикционную шайбу и нож к держателю ножа. (Рис. 39)
7. Убедитесь, что нож совмещен с центром вала двигателя. (Рис. 40)
8. Заблокируйте нож деревянным брусом. (Рис. 41)
9. Установите пружинную шайбу и затяните болт моментом 80 Н·м. (Рис. 42)
10. Проверните нож рукой и убедитесь, что он свободно вращается.



ПРЕДУПРЕЖДЕНИЕ:

Используйте защитные перчатки. Нож очень острый, что при неосторожном обращении может легко привести к порезам.

11. Запустите изделие, чтобы проверить работу ножа. Если нож установлен неправильно, вы ощутите вибрацию изделия, или результат стрижки будет неудовлетворительным.

Проверка уровня масла



ВНИМАНИЕ: Слишком низкий уровень масла может привести к повреждениям двигателя. Проверьте уровень масла перед запуском изделия.

1. Расположите изделие на ровной поверхности.
2. Снимите крышку масляного бака вместе с щупом.
3. Очистите щуп от масла.
4. Полностью погрузите щуп в масляный бак. Затяните крышку масляного бака, получить достоверную информацию об уровне масла.
5. Извлеките щуп.
6. Проверьте уровень масла на щупе.
7. Если уровень масла низкий, долейте моторное масло и проверьте уровень масла еще раз.

(Рис. 43)

Примечание: Используйте воронку для предотвращения проливания.

Замена моторного масла



ПРЕДУПРЕЖДЕНИЕ: Сразу после остановки двигателя моторное масло очень горячее. Дайте двигателю остыть, прежде чем сливать моторное масло. При попадании моторного масла на кожу смойте его мылом и водой.

(Рис. 44)

1. Отсоедините провод от свечи зажигания.
2. Снимите крышку масляного бака.
3. Слейте моторное масло.
 - а) На моделях с пробкой слива масла: Поместите емкость под пробку слива масла для сбора моторного масла.
 - б) На моделях без пробки слива масла или в случае, когда поместить емкость под изделие невозможно: С помощью масляного насоса (дополнительное оборудование) слейте моторное масло из масляного бака.
4. Заправьте бак новым моторным маслом; используйте тип масла, рекомендованный в разделе *Технические данные на стр. 304*.
5. Проверьте уровень моторного масла. См. раздел *Проверка уровня масла на стр. 302*.

Воздушный фильтр

Примечание: Воздушный фильтр после эксплуатации в течение некоторого времени

невозможно полностью вычистить. Регулярно выполняйте замену воздушного фильтра. Всегда заменяйте поврежденный воздушный фильтр.

Снятие и установка воздушного фильтра (KLIPPO LB 488SQ, KLIPPO LB 453SQ, KLIPPO LB 548Qe)



ПРЕДУПРЕЖДЕНИЕ:

Используйте защитные перчатки.

1. Нажмите на фиксаторы на крышке воздушного фильтра.
2. Осторожно снимите крышку воздушного фильтра (А) с двигателя.
3. Снимите воздушный фильтр (В) и поролоновый фильтр (С). (Рис. 45)
4. Проверьте воздушный фильтр на наличие повреждений. Замените поврежденный воздушный фильтр.
5. Очистите и проверьте воздушный фильтр. См. раздел *Очистка воздушного фильтра (KLIPPO LB 448SQ, KLIPPO LB 453SQ, KLIPPO LB 548Qe) на стр. 303.*
6. Установка выполняется в обратной последовательности.

Очистка воздушного фильтра (KLIPPO LB 448SQ, KLIPPO LB 453SQ, KLIPPO LB 548Qe)



ВНИМАНИЕ: Запрещается запускать двигатель без установленного воздушного фильтра или с грязным воздушным фильтром.



ВНИМАНИЕ: Если воздушный фильтр не получается полностью очистить или он поврежден, замените его. Поврежденный воздушный фильтр приводит к повреждению двигателя.

1. Нажмите на фиксаторы (А), снимите крышку воздушного фильтра (В) и сам воздушный фильтр (С). (Рис. 46)
2. Постучите воздушным фильтром о твердую поверхность или продуйте его сжатым воздухом с чистой стороны.



ВНИМАНИЕ: Ни в коем случае не используйте для удаления грязи щетку, поскольку она проталкивает частицы грязи глубже в воздушный фильтр.

3. Очистите держатель воздушного фильтра (D) и крышку воздушного фильтра влажной тряпкой.



ВНИМАНИЕ: Следите за тем, чтобы в воздуховод (Е) не попала грязь.

4. Установите воздушный фильтр. Убедитесь, что воздушный фильтр плотно посажен на место.
5. Установите крышку воздушного фильтра, начиная с нижних фиксаторов.

Очистка воздушного фильтра (KLIPPO LB 448S, KLIPPO LB 453S)



ВНИМАНИЕ: Запрещается запускать двигатель без установленного воздушного фильтра или с грязным воздушным фильтром.



ВНИМАНИЕ: Если воздушный фильтр не получается полностью очистить или он поврежден, замените его. Поврежденный воздушный фильтр приводит к повреждению двигателя.

1. Нажмите на фиксаторы (А), снимите крышку воздушного фильтра (В) и сам воздушный фильтр (С). (Рис. 47)
2. Постучите воздушным фильтром о твердую поверхность или продуйте его сжатым воздухом с чистой стороны.



ВНИМАНИЕ: Ни в коем случае не используйте для удаления грязи щетку, поскольку она проталкивает частицы грязи глубже в воздушный фильтр.

3. Очистите держатель воздушного фильтра (D) и крышку воздушного фильтра влажной тряпкой.



ВНИМАНИЕ: Следите за тем, чтобы в воздуховод (Е) не попала грязь.

4. Установите воздушный фильтр. Убедитесь, что воздушный фильтр плотно посажен на место.
5. Установите крышку воздушного фильтра, начиная с нижних фиксаторов.

Проверка свечи зажигания



ВНИМАНИЕ: Всегда используйте только указанный тип свечи. Использование неправильного типа свечи зажигания может привести к повреждению изделия.

- Проверьте свечу зажигания, если двигатель не набирает мощность, плохо заводится или плохо работает на холостых оборотах.
- Чтобы уменьшить риск появления нежелательного материала на электродах свечи зажигания, соблюдайте следующие инструкции:
 - а) Убедитесь в правильности регулировки частоты оборотов холостого хода.
 - б) Убедитесь, что используется надлежащая топливная смесь.
 - в) Убедитесь, что воздушный фильтр чист.
- Если свеча зажигания загрязнена, очистите ее и проверьте зазор между электродами, см. раздел *Технические данные на стр. 304*. (Рис. 48)
- При необходимости замените свечу зажигания.

- Проверьте топливный шланг на наличие утечек. Если топливный шланг поврежден, обратитесь в сервисный центр для его замены.

Регулировка троса сцепления

Если привод кажется медленным, необходимо отрегулировать трос сцепления.

- Поверните регулировочный винт. (Рис. 49)

Трос сцепления отрегулирован правильно, если кронштейн троса сцепления совмещен с гайкой.

(Рис. 50)

Проверка топливной системы

- Проверьте крышку топливного бака и уплотнение крышки топливного бака на наличие повреждений.

Транспортировка, хранение и утилизация

Транспортировка и хранение

- Перед помещением на хранение и транспортировкой изделия и топлива убедитесь в отсутствии утечек или испарения топлива. Искры или источники открытого огня, например, от электрических устройств или котлов, могут привести к пожару.
- Всегда используйте рекомендованные контейнеры для хранения и транспортировки топлива.
- Перед помещением изделия на длительное хранение опорожните топливный бак. Утилизируйте топливо в специально предназначенном для этого месте.
- Надежно закрепите изделие на время транспортировки для предотвращения повреждений или аварий.

- Храните изделие в запечатом помещении для предотвращения доступа к изделию детей или посторонних лиц.
- Храните изделие в сухом и защищенном от низких температур месте.

Утилизация

- Соблюдайте местное законодательство и действующие нормы в области переработки.
- Утилизируйте все химические вещества, такие как моторное масло или топливо, в сервисном центре или в специально предназначенном для этого месте.
- Если изделие больше не эксплуатируется, отправьте его дилеру Husqvarna или утилизируйте в пункте переработки.

Технические данные

Технические данные

	KLIPPO LB 448S	KLIPPO LB 448SQ	KLIPPO LB 453S	KLIPPO LB 453SQ	KLIPPO LB 548SQe
Двигатель					
Марка	Honda	Husqvarna	Honda	Husqvarna	Husqvarna
Модель	GCVX-145	HS 166AP	GCVx-170	HS 166AP	HS 166AP

	KLIPPO LB 448S	KLIPPO LB 448SQ	KLIPPO LB 453S	KLIPPO LB 453SQ	KLIPPO LB 548SQe
Тип двигателя	Одноцилиндровый, 4-тактный, с принудительным воздушным охлаждением, OHV	Одноцилиндровый, 4-тактный, с принудительным воздушным охлаждением, OHV	Одноцилиндровый, 4-тактный, с принудительным воздушным охлаждением, OHV	Одноцилиндровый, 4-тактный, с принудительным воздушным охлаждением, OHV	Одноцилиндровый, 4-тактный, с принудительным воздушным охлаждением, OHV
Рабочий объем, см ³	145	166	166	166	166
Частота вращения, об/мин	2900	2900	2900	2900	2900
Номинальная мощность двигателя, кВт ¹⁰⁶	2,7	2,75	3,3	2,75	2,75
Система зажигания					
Свеча зажигания	NGK BPR5ES	Husqvarna HQT-7	NGK BPR5ES	Husqvarna HQT-7	Husqvarna HQT-7
Зазор между электродами, мм	0,7–0,8	0,7–0,8	0,7–0,8	0,7–0,8	0,7–0,8
Топливная система и система смазки					
Тип смазки двигателя	Разбрызгивание	Разбрызгивание	Разбрызгивание	Разбрызгивание	Разбрызгивание
Емкость топливного бака, л	0,9	1,5	0,9	1,5	1,5
Емкость масляного бака, л	0,5	0,5	0,55	0,5	0,5
Моторное масло ¹⁰⁷	Husqvarna SAE 30	Husqvarna SAE 30	Husqvarna SAE 30/SAE 10W-30	Husqvarna SAE 30/SAE 10W-30	Husqvarna SAE 30/SAE 10W-30
Вес					
С пустыми баками, кг	30,5	32,5	33	33,5	34,5
Излучение шума¹⁰⁸					
Уровень мощности звука, измеренный, дБ(А)	90	93	91	94	92
Уровень мощности звука, гарантированный, L _{WA} , дБ(А)	91	93	94	95	93

¹⁰⁶ Указанная номинальная мощность двигателя — это средняя полезная мощность типичного серийного двигателя при указанной частоте вращения (об/мин) для определенной модели двигателя, измеренная в соответствии со стандартом SAE J1349/ISO1585. Показатели двигателей массового производства могут отличаться от этого значения. Фактическая выходная мощность двигателя, установленного на определенном изделии, зависит от рабочей скорости, условий окружающей среды и других параметров.

¹⁰⁷ Если при температуре ниже +5 °C используется масло SAE-30, существует риск того, что смазка двигателя будет недостаточной. Это может привести к повреждению двигателя. См. раздел *Замена моторного масла на стр. 302*, где приведена информация о подходящем масле для использования при низких температурах.

¹⁰⁸ Излучение шума в окружающую среду измеряется как мощность звука (L_{WA}) согласно директиве ЕС 2000/14/ЕС.

	KLIPPO LB 448S	KLIPPO LB 448SQ	KLIPPO LB 453S	KLIPPO LB 453SQ	KLIPPO LB 548SQe
Уровни шума ¹⁰⁹					
Уровень звукового давления на уши оператора, дБ(А)	77	79	78	81	79
Уровни вибрации, a_{Hveq} ¹¹⁰					
На рукоятке, m/c^2	4,5	4,2	5,3	6,4	4,0
Режущее оборудование					
Высота кошения, мм	30–60	30–60	30–60	30–60	30–60
Ширина кошения, мм	480	480	530	530	480
Нож	Mulch (мульчирующий) – 48 см	Mulch (мульчирующий) – 48 см	Mulch (мульчирующий) – 53 см	Mulch (мульчирующий) – 53 см	Mulch (мульчирующий) – 48 см
	5028813-10	5028813-10	5028814-10	5028814-10	5028813-10
Привод					
Скорость, км/ч	4,5	4,5	4,5	4,5	4,5

¹⁰⁹ Уровень шумового давления в соответствии с ISO 5395. Указанные данные об уровне шумового давления имеют типичный статистический разброс (стандартное отклонение) 1,2 дБ(А).

¹¹⁰ Уровень вибрации в соответствии с ISO 5395. Указанные данные об уровне вибрации имеют типичный статистический разброс (стандартное отклонение) 0,2 m/c^2 .

Декларация о соответствии

Декларация соответствия требованиям ЕС

Мы, компания **Husqvarna AB**, SE-561 82
Husqvarna, Швеция, тел.: +46-36-146500, с полной
ответственностью заявляем, что изделие:

Описание	Газонокосилка
Марка	Husqvarna
Тип / Модель	KLIPPO LB 448S, KLIPPO LB 453S, KLIPPO LB 448SQ, KLIPPO LB 453SQ, KLIPPO LB 548SQe
Идентификация	Серийные номера начиная с 2022 года и далее

полностью соответствует следующим директивам и
нормативам ЕС:

Директива/Норма- тив	Описание
2006/42/ЕС	"О механическом оборудовании"
2014/30/EU	"Об электромагнитной совместимости"
2000/14/ЕС	"Об излучении шума в окружающую среду"
2011/65/EU	"Об ограничении использования определенных опасных веществ в электрическом и электронном оборудовании"

а также требованиям следующих стандартов и/или
технических регламентов: EN ISO 5395-1:2013/
A1:2018, EN ISO 5395-2:2013/A1:2016/A2:2017, EN
ISO 14982:2009, EN IEC 63000:2018.

Уполномоченная организация: 0404, RISE SMP
Svensk Maskinprovning AB, Box 4053, SE-904
03 Umeå, Sweden. подтвердила соответствие
Директиве Совета ЕС 2000/14/ЕС, процедура оценки
соответствия: Приложение VI.

Информацию по излучению шума см. в разделе
Технические данные на стр. 304.

Husqvarna, 2023-02-07



Клаес Лосдал (Claes Losdal), директор отдела
разработок/садовая техника, Husqvarna AB

Ответственный за техническую документацию



141400, Московская обл., Г. Химки, ул. Ленинградская,
владение 39, строение 6, здание II этаж 4,
помещение OB02_04,
телефон горячей линии 8-800-200-1689

Obsah

Úvod.....	308	Údržba.....	314
Bezpečnosť.....	309	Preprava, skladovanie a likvidácia.....	317
Montáž.....	312	Technické údaje.....	318
Prevádzka.....	312	Vyhlasenie o zhode.....	320

Úvod

Popis výrobku

Tento výrobok je rotačná kosačka na trávu s chodiacou obsluhou využívajúca zarážku BioClip®, ktorá trávu naseká tak, aby sa dala použiť ako hnojivo.

Prehľad výrobku

(Obr. 1)

1. Držadlo/rukoväť
2. Rukoväť motorovej brzdy
3. Páka pohonu
4. Držadlo štartovacieho lanka
5. Viečko na olej
6. Kryt remeňa
7. Tlmič výfuku
8. Zapaľovacia sviečka
9. Kryt remeňa
10. Palivová nádrž
11. Páka na nastavenie uhla rukováti
12. Systém na tmenie vibrácií
13. Nastavenie spojovacieho vodiča
14. Páka výšky rezu
15. Palivový uzáver
16. Vzduchový filter
17. Kryt rezacej časti
18. Perová podložka
19. Skrutka noža
20. Nôž
21. Podpera čepele
22. Mulčovacia zarážka KLIPPO LB 448S, KLIPPO LB 448SQ, KLIPPO LB 548SQe
23. Návod na obsluhu

Symbody na výrobku

(Obr. 2) **UPOZORNENIE:** Neopatrné alebo nesprávne používanie môže spôsobiť zranenie alebo usmrtenie obsluhy alebo iných osôb.

(Obr. 3) Skôr než začnete stroj používať, pozorne si prečítajte návod na obsluhu a presvedčíte sa, že ste porozumeli jeho obsahu.

Plánované použitie

Produkt používajte na kosenie trávy. Výrobok nepoužívajte na iné účely.

(Obr. 4) Dávajte pozor na vymrštené predmety a spätné nárazy.

(Obr. 5) Dbajte na to, aby osoby a zvieratá nevstupovali do pracovnej oblasti.

(Obr. 6) Pred vykonávaním opráv a údržby vypnite motor a odpojte kábel zapaľovania.

(Obr. 7) Upozornenie: Udržiavajte ruky a chodidlá mimo dosahu rotujúcich častí.

(Obr. 8) Upozornenie: Udržiavajte ruky a chodidlá mimo dosahu rotujúceho noža.

(Obr. 9) Tento výrobok je v súlade s príslušnými smernicami EÚ.

(Obr. 10) Tento výrobok je v súlade s príslušnými právnymi predpismi Spojeného kráľovstva.

(Obr. 11) Tento výrobok je v súlade s príslušnými smernicami Euroázijskej colnej únie. Platí len pre KLIPPO LB 448S & KLIPPO LB 453S.

(Obr. 12) Označenie týkajúce sa emisie hluku do okolia podľa smerníc a nariadení EÚ a UK a legislatívy v štáte New South Wales „Protection of the Environment Operations (Noise Control) Regulation 2017“ (Nariadenie o ochrane životného prostredia pri prevádzke (kontrola hluku) z roku 2017). Garantovaná hladina akustického výkonu produktu je uvedená v *Technické údaje na strane 318* a na štítku.

(Obr. 13) Snímateľný kód.

Poznámka: Ďalšie symboly/štítky na výrobku odkazujú na právne požiadavky pre konkrétny trh.

Štítky na výrobku, iba pre Austráliu a Nový Zéland

(Obr. 14)

Udržiavajte ruky a chodidlá mimo dosahu rotujúceho noža.

Emisie Euro V



VÝSTRAHA: Nepovolená manipulácia s motorom ruší platnosť typového schválenia tohto výrobku pre EÚ.

Zodpovednosť za výrobok

V súlade s právnymi predpismi upravujúcimi zodpovednosť za výrobok nenesieme zodpovednosť za škody spôsobené naším výrobkom v dôsledku:

- nesprávne vykonanej opravy výrobku,
- opravy výrobku, pri ktorej neboli použité diely od výrobcu alebo diely schválené výrobcom,
- používania príslušenstva od iného výrobcu alebo príslušenstva, ktoré nie je schválené výrobcom,
- opravy výrobku, ktoré neboli vykonané v schválenom servisnom stredisku alebo schválenými kompetentnými osobami.

Bezpečnosť

Bezpečnostné definície

Výstrahy, upozornenia a poznámky slúžia na zdôraznenie mimoriadne dôležitých častí návodu.



VÝSTRAHA: Používa sa, ak pre obsluhu alebo osoby v okolí existuje nebezpečenstvo poranenia alebo smrti v prípade nedodržania pokynov v návode.



VAROVANIE: Používa sa, ak hrozí nebezpečenstvo poškodenia produktu, iných materiálov alebo okolitej oblasti v prípade nedodržania pokynov v návode.

Poznámka: Používa sa na poskytnutie informácií nad rámec nevyhnutných informácií v danej situácii.

Všeobecné bezpečnostné pokyny



VÝSTRAHA: Skôr než budete výrobok používať, prečítajte si nasledujúce výstrahy.

- Tento výrobok je nebezpečný, ak sa nepoužíva správne alebo ak nie ste pri jeho používaní opatrní. V prípade nedodržania bezpečnostných pokynov hrozí poranenie alebo usmrtienie.
- Tento výrobok vytvára počas prevádzky elektromagnetické pole. Toto pole môže za určitých okolností spôsobovať rušenie aktívnych alebo pasívnych implantovaných zdravotníckych pomôcok. Na zníženie rizika vážneho alebo smrteľného zranenia odporúčame, aby sa osoby s implantovanými pomôckami poradili so svojím lekárom a výrobcom pomôcky ešte pred použitím tohto výrobku.

- Vždy zachovávajte opatrnosť a riadte sa zdravým úsudkom. Ak si v určitých situáciách nie ste istí, ako máte výrobok používať, výrobok nepoužívajte a pred pokračovaním v práci sa poraďte s predajcom spoločnosti Husqvarna.
- Nezabudnite, že operátor bude zodpovedný za nehody zahŕňajúce iné osoby alebo ich majetok.
- Výrobok udržiavajte čistý. Symboly a emblémy musia byť čitateľné.
- Nedovoľte, aby výrobok používali iné osoby, pokiaľ sa neustíte, že si prečítali tento návod na obsluhu a porozumeli jeho obsahu.
- Nedovoľte, aby výrobok používali deti.
- Deti držte v bezpečnej vzdialenosti od pracovnej oblasti. Vyžaduje sa neustála prítomnosť zodpovednej dospeljej osoby.
- Nedovoľte, aby výrobok používali osoby, ktoré nepoznajú potrebné pokyny.
- Osoby so zníženými fyzickými alebo duševnými schopnosťami musia byť počas používania výrobku vždy pod dozorom. Vyžaduje sa neustála prítomnosť zodpovednej dospeljej osoby.
- Výrobok nepoužívajte, ak ste unavení, chorí alebo ste pod vplyvom alkoholu, drog alebo liekov. Vyššie uvedené prípady majú negatívny vplyv na váš zrak, ostražitosť, koordináciu a úsudok.
- Nepoužívajte výrobok, ktorý je poškodený alebo nefunguje správne.
- Výrobok žiadnym spôsobom neupravujte ani nepoužívajte, ak existuje možnosť, že bol upravený inými osobami.
- Nemeňte nastavenie regulácie otáčok motora.

Bezpečnosť na pracovisku



VÝSTRAHA: Skôr než budete používať produkt, prečítajte si nasledujúce výstrahy.

- Pred používaním výrobku odstráňte z pracovnej oblasti všetky predmety, ako sú napr. konáre, vetvy a kamene.
- Predmety, ktoré narazia na rezné zariadenie, môžu byť vymrštené a spôsobiť poranenie osôb alebo poškodenie iných predmetov. Dávajte pozor, aby okolo stojace osoby a zvieratá nevstupovali do pracovnej oblasti.
- Výrobok nikdy nepoužívajte počas nepriaznivých poveternostných podmienok, napríklad v hmle, v daždi, v silnom vetre, v silnom mraze, pri vysokom riziku blyskania. Používanie výrobku počas nepriaznivých poveternostných podmienok alebo na vlhkých alebo mokrych miestach je namáhavé. Nepriaznivé poveternostné podmienky môžu mať za následok vznik nebezpečných podmienok, akými sú napr. klzké povrchy.
- Dávajte pozor na osoby, predmety a situácie, ktoré môžu zamedziť bezpečnej prevádzke výrobku.
- Dávajte pozor na prekážky, ako sú napr. korene, kamene, halúzky, jamy a priekopy. Vysoká tráva môže zakrývať prekážky.
- Kosenie trávy na svahoch môže byť nebezpečné. Výrobok nepoužívajte na svahoch so sklonom viac ako 15 °.
- S výrobkom sa pohybujte po vrstevnici. Nepohybujte sa smerom do svahu a zo svahu.
- V blízkosti skrytých rohov a objektov, ktoré vám bránia vo výhľade, sa pohybujte opatrne.

Bezpečnosť pri práci



VÝSTRAHA: Skôr než budete výrobok používať, prečítajte si nasledujúce výstrahy.

- Tento výrobok používajte len na kosenie trávy. Výrobok sa nesmie používať na iné úlohy.
- Používajte osobné ochranné pomôcky. Pozrite si časť *Osobné ochranné prostriedky na strane 310*.
- Naučte sa, ako v prípade núdze rýchlo zastaviť motor.
- Nikdy neštartujte motor v uzavretých priestoroch alebo v blízkosti horľavého materiálu. Výfukové plyny z motora sú horúce a môžu obsahovať iskry, ktoré môžu vyvolať požiar.
- Výrobok nepoužívajte, pokiaľ nie sú nôž a všetky kryty správne upevnené. Nesprávne pripojený nôž sa môže uvoľniť a spôsobiť poranenia osôb.
- Uistite sa, že nôž nenarazí na predmety, ako sú napr. kamene alebo korene. Môže dôjsť k poškodeniu noža a ohnitiu hriadeľa motora. Ohnutá náprava spôsobuje silné vibrácie a vzniká veľké nebezpečenstvo uvoľnenia noža.
- Ak nôž narazí na predmet alebo ak cítite vibrácie, výrobok okamžite vypnite. Odpojte kábel zapalovania od zapalovacej sviečky. Skontrolujte, či nie je výrobok poškodený. Opravte akékoľvek poškodenie alebo kontaktujte servisného zástupcu.

- Keď je naštartovaný motor, rukoväť motorovej brzdy nesmie byť nikdy trvalo pripevnená k rukoväti.
- Položte výrobok na stabilný, rovný povrch a naštartujte ho. Uistite sa, že sa nôž nedostane do kontaktu so zemou alebo inými predmetmi.
- Pri obsluhu vždy stojte za výrobkom.
- Pri obsluhu výrobku dávajte pozor, aby všetky kolesá dosadali na zem a rukoväť držte oboma rukami. Udržiavajte ruky a chodidlá mimo dosahu rotujúcich nožov.
- Keď je motor spustený, výrobok nenakláňajte.
- Pri ťahaní výrobku smerom dozadu buďte opatrní.
- Výrobok nikdy nedvíhajte, keď je spustený motor. Ak musíte výrobok zdvihnúť, najprv vypnite motor a odpojte kábel zapalovania od zapalovacej sviečky.
- Počas obsluhy výrobku necúvajte.
- Pri prechádzaní cez oblasti bez trávy, ako sú napr. štrkové, kamenné a asfaltové chodníky, vypnite motor.
- Keď je zapnutý motor, s výrobkom neutekajte. Počas obsluhy výrobku vždy kráčajte.
- Pred zmenou výšky rezu zastavte motor. Nikdy nevykonávajte nastavenia so spusteným motorom.
- Nikdy nenechávajte výrobok bez dozoru, keď je zapnutý motor. Zastavte motor a uistite sa, že sa rezné zariadenie neotáča.

Bezpečnostné pokyny pre prevádzku

Osobné ochranné prostriedky



VÝSTRAHA: Skôr než budete výrobok používať, prečítajte si nasledujúce výstrahy.

- Osobné ochranné prostriedky nedokážu úplne vylúčiť riziko, ale môžu znížiť vážnosť zranenia v prípade nehody. Váš predajca vám pomôže pri výbere správnych prostriedkov.
- Ak hladina hluku je vyššia ako 85 dB, používajte chrániče sluchu.
- Noste odolné protišmykové topánky. Výrobok neobsluhujte v otvorených topánkach ani s bosými nohami.
- Noste dlhé odolné nohavice.
- Keď je to potrebné, používajte ochranné rukavice, ako napríklad pri montáži, kontrole alebo čistení rezného zariadenia.

Bezpečnostné zariadenia na výrobku



VÝSTRAHA: Skôr než budete výrobok používať, prečítajte si nasledujúce výstrahy.

- Výrobok nepoužívajte s bezpečnostnými zariadeniami, ktoré sú poškodené alebo nefungujú správne.

- Pravidelne kontrolujte bezpečnostné zariadenia. Ak sú bezpečnostné zariadenia poškodené alebo nefungujú správne, obráťte sa na servisného zástupcu Husqvarna.
- Bezpečnostné zariadenia neupravujte.

Kontrola krytu rezacej časti

Kryt rezacej časti tlmí vibrácie vo výrobku a znižuje riziko poranenia kotúčom.

- Skontrolujte kryt rezacej časti, aby ste sa uistili, že na ňom nie sú žiadne známky poškodenia, ako sú napr. praskliny.

Kontrola chrániča remeňa

Chránič remeňa znižuje riziko poranenia a zabezpečuje, aby sa poškodený hnací remeň nevymrštil von.

- Uistite sa, že chránič remeňa nie je poškodený a že je správne pripojený. (Obr. 15)

Rukoväť motorovej brzdy

Rukoväť motorovej brzdy slúži na zastavenie motora. Keď rukoväť motorovej brzdy uvoľníte, motor sa zastaví.

Ak chcete motorovú brzdú skontrolovať, naštartujte motor a potom uvoľníte rukoväť motorovej brzdy. Ak sa motor v priebehu 3 sekúnd nezastaví, požiadajte servisného zástupcu spoločnosti Husqvarna o nastavenie motorovej brzdy.

(Obr. 16)

Kontrola systému na tlmenie vibrácií



VÝSTRAHA: Nadmerné vystavenie vibráciám môže spôsobiť narušenie krvného obehu alebo poškodenie nervov u osôb, ktoré majú zhoršený krvný obeh. Ak máte príznaky nadmerného vystavenia vibráciám, obráťte sa na svojho lekára. Príkladmi týchto symptómov sú: znecitlivenie, stratu citu, brnenie, pichanie, bolesť, strata sily, zmeny farby alebo stavu pokožky. Tieto symptómy sa bežne objavujú na prstoch, rukách a zápästiach.

Systém na tlmenie vibrácií znižuje vibrácie v rukoväti počas prevádzky.

Oceľová rúrka v rukoväti a kryt rezacej časti znižujú vibrácie. KLIPPO LB 548SQe má tiež 4 jednotky na tlmenie vibrácií, ktoré sú pripojené k rukoväti.

- Skontrolujte rukoväť a jednotky na tlmenie vibrácií, aby ste sa uistili, že nedošlo k žiadnym škodám. (Obr. 17)

Podpera čepele

Podpera čepele znižuje riziko ohybu hriadeľa motora. Ak sa čepeľ dotkne predmetu, čepeľ sa posunie

proti podpere čepele. Pohyb spôsobuje opotrebovanie povrchu podpory čepele. Opotrebenie ukazuje, že ochrana hriadeľa motora funguje správne.

Tlmič výfuku

Tlmič výfuku slúži na udržiavanie minimálnej hladiny hluku a na smerovanie výfukových plynov smerom od operátora.

Výrobok nepoužívajte, ak tlmič výfuku chýba alebo je poškodený. Poškodený tlmič výfuku zvyšuje hladinu hluku a nebezpečenstvo požiaru.



VÝSTRAHA: Tlmič výfuku je veľmi horúci počas prevádzky, po nej a tiež počas behu motora na voľnobeh. Zachovávajte opatrnosť v okolí horľavých materiálov alebo výparov, aby ste nespôsobili požiar.

Kontrola tlmiča výfuku

- Pravidelne kontrolujte, či je tlmič výfuku správne pripevnený a či nie je poškodený.

Bezpečnosť paliva



VÝSTRAHA: Skôr než budete používať produkt, prečítajte si nasledujúce výstrahy.

- Výrobok neštartujte, ak sú na ňom zvyšky paliva alebo motorového oleja. Odstráňte neželané palivo/olej a nechajte výrobok vyschnúť.
- Ak vylejete palivo na odev, okamžite sa prezlečte.
- Dávajte pozor, aby ste si palivo nevyliali na telo, pretože môže spôsobiť poranenie. Ak si palivo vylejete na telo, umyte sa pomocou mydla vody.
- Výrobok neštartujte, ak sa na motore vyskytuje netesnosť. Pravidelne kontrolujte výskyt netesností na motore.
- Pri manipulácii s palivom zachovajte opatrnosť. Palivo je horľavá látka a výpary z paliva sú výbušné a môžu spôsobiť poranenia alebo smrť.
- Vyhnite sa vdychovaniu výparov paliva, pretože môžu spôsobiť poranenie. Zabezpečte dostatočné prúdenie vzduchu.
- V blízkosti paliva alebo motora nefajčite.
- Neukladajte do blízkosti paliva alebo motora teplé predmety.
- Nedopĺňajte palivo, keď je zapnutý motor.
- Pred dopĺňaním paliva sa uistite, že motor vychladol.
- Pred dopĺňaním paliva pomaly otvorte veko palivovej nádrže a opatrne uvoľnite tlak.
- Palivo do motora nedopĺňajte v interiéri. Nedostatočné prúdenie vzduchu môže spôsobiť poranenie alebo smrť v dôsledku udusenía alebo otravy oxidom uhľoňatým.

- Veko palivovej nádrže pevne utiahnite. Ak nie je veko palivovej nádrže pevne utiahnuté, existuje riziko vzniku požiaru.
- Pred naštartovaním premiestnite výrobok minimálne 3 m od miesta, kde ste dopĺňali palivo do nádrže.
- Palivovú nádrž nedopĺňajte úplne doplna. Teplo spôsobuje expanziu paliva. Uchovajte miesto navrchu palivovej nádrže.

Bezpečnostné pokyny pre údržbu



VÝSTRAHA: Skôr než budete používať produkt, prečítajte si nasledujúce výstrahy.

- Výfukové plyny z motora obsahujú oxid uhoľnatý, plyn bez zápachu, ktorý je jedovatý a veľmi nebezpečný. Motor neštartujte v interiéri ani v uzavretých priestoroch.
- Pred vykonávaním údržby výrobku zastavte motor a odpojte kábel zapalovania od zapalovacej sviečky.

- Pri vykonávaní údržby rezného zariadenia používajte ochranné rukavice. Čepeľ je veľmi ostrá a ľahko môže dôjsť k porezaniu.
- Príslušenstvo a úprava výrobku, ktoré neschválil výrobca, môžu spôsobiť vážne poranenia alebo smrť. Výrobok neupravujte. Vždy používajte príslušenstvo schválené výrobcom.
- Nepravidelná a nesprávne vykonaná údržba zvyšuje nebezpečenstvo poranenia a poškodenia výrobku.
- Vykonávajte len údržbu uvedenú v tomto návode na používanie. Všetky ostatné práce týkajúce sa údržby musí vykonávať schválený servisný zástupca spoločnosti Husqvarna.
- Výrobok nechajte pravidelne kontrolovať kvôli údržbe u schváleného servisného zástupcu spoločnosti Husqvarna.
- Vymeňte všetky poškodené, opotrebované alebo zlomené diely.

Montáž

Úvod



VÝSTRAHA: Pred zostavením výrobku si musíte prečítať kapitolu o bezpečnosti a porozumieť informáciám, ktoré sa v nej uvádzajú.



VÝSTRAHA: Pred zostavením výrobku od zapalovacej sviečky odpojte kábel zapalovacej sviečky.

Osadte a nastavte držadlo

1. Vyberte maticu držadla a podložku z dosky na hornom držadle.
2. Horné držadlo položte na hornú časť spodného držadla.



VAROVANIE: Uistite sa, že drôty nie sú zachytené alebo poškodené.

3. Pripevnite podložku a maticu držadla. (Obr. 18)
4. Keď pracujete s výrobkom v blízkosti steny, otočte držadlo na stranu, aby ste mali dobrú pracovnú polohu. (Obr. 19)
5. Otočte nastavovacie kolieska na podvozku a nastavte držadlo zvisle. (Obr. 20)

Montáž prípojky na mulčovanie (KLIPPO LB 448S, KLIPPO LB 448SQ, KLIPPO LB 548SQe)

1. Nakloňte výrobok dozadu so zapalovacou sviečkou nahor.
2. Vložte kolíky prípojky na mulčovanie do otvorov z vnútornej strany rezacej časti. (Obr. 21)
3. Pripevnite skrutky zástrčky mulčovania z vonkajšej strany krytu rezacej časti. (Obr. 22)

Prevádzka

Úvod



VÝSTRAHA: Pred používaním výrobku si musíte prečítať kapitolu o bezpečnosti a porozumieť informáciám, ktoré sa v nej uvádzajú.

Husqvarna Connect

Husqvarna Connect je bezplatná aplikácia pre mobilné zariadenia. Aplikácia Husqvarna Connect prináša rozšírené funkcie pre výrobok Husqvarna:

- Rozšírené informácie o výrobku.
- Informácie a podpora vzťahujúce sa na súčasti výrobku a servis.

Ak chcete začať, použite Husqvarna Connect

1. Stiahnite si aplikáciu Husqvarna Connect do mobilného zariadenia.
2. Zaregistrujte sa v aplikácii Husqvarna Connect.
3. Ak chcete pripojiť a zaregistrovať produkt, postupujte podľa pokynov v aplikácii Husqvarna Connect.

Pred obsluhou zariadenia

1. Pozorne si prečítajte tento návod na obsluhu a uistite sa, že ste porozumeli pokynom.
2. Skontrolujte rezné zariadenie a uistite sa, že je správne upevnené a nastavené. Pozrite si kapitolu *Kontrola rezného zariadenia na strane 315*.
3. Nalejte palivo do palivovej nádrže. Pozrite si kapitolu *Doplňanie paliva na strane 313*.
4. Naplňte nádrž a skontrolujte hladinu oleja. Pozrite si kapitolu *Kontrola hladiny oleja na strane 316*.

Doplňanie paliva

Ak je to možné, používajte alkylátový benzín s nízkymi emisiami. Ak nemáte k dispozícii alkylátový benzín s nízkymi emisiami, použite vysokokvalitný bezolovnatý benzín alebo olovnatý benzín s oktánovým číslom minimálne 90.



VAROVANIE: Nepoužívajte benzín s oktánovým číslom menším než 90 RON (87 AKI). Mohlo by to viesť k poškodeniu výrobku.

1. Pomalým otvorením veka palivovej nádrže uvoľnite tlak.
2. S použitím kanistra opatrne doplňte palivo. Ak sa palivo vyleje, pomocou handričky ho utrite a zvyšné palivo nechajte vyschnúť. (Obr. 23)
3. Vyčistite priestor okolo veka palivovej nádrže.
4. Veko palivovej nádrže pevne utiahnite. Ak nie je veko palivovej nádrže pevne utiahnuté, existuje riziko vzniku požiaru.
5. Pred spustením premiestnite výrobok minimálne 3 m od miesta, na ktorom ste dopĺňali palivo do nádrže.

Nastavenie výšky rezu

Výšku rezu možno nastaviť v šiestich rôznych úrovniach.

1. Ak chcete zvýšiť výšku rezu, posuňte páku výšky rezu smerom dopredu.
2. Ak chcete znížiť výšku rezu, posuňte páku výšky rezu smerom dozadu.



VAROVANIE: Nenastavujte výšku rezu príliš nízko. Ak nie je povrch trávnik rovinný, nože môžu narážať o zem.

Zapnutie výrobku

1. Uistite sa, že je kábel zapalovania pripojený k zapalovacej sviečke.
2. Otvorte palivový ventil. (Obr. 24)
3. Stojte za výrobkom.
4. Rukoväť motorovej brzdy držte oproti hornej rukováti. (Obr. 25)
5. Pevne uchopte rukoväť štartovacieho lanka pravou rukou.
6. Pomaly potiahnite štartovacie lanko, kým nepocítite istý odpor.
7. Silným potiahnutím naštartujte motor.



VÝSTRAHA: Štartovacie lanko si neovíjajte okolo ruky.



VAROVANIE: Štartovacie lanko úplne neroztahujte. Keď je štartovacie lanko rozťahnuté, neuvolňujte držadlo štartovacieho lanka.

Používanie pohonu na kolesách

- Zatlačte páku pohonu nadol. (Obr. 26)
- Pred potiahnutím výrobku smerom dozadu deaktivujte pohon a potlačte výrobok zhruba 10cm.
- Uvoľnite rukoväť motorovej brzdy na malú vzdialenosť, aby ste deaktivovali pohon, napr. keď sa pohybuje v blízkosti prekážok.

Vypnutie výrobku

- Ak chcete zastaviť len pohon, uvoľnite rukoväť motorovej brzdy na malú vzdialenosť.
- Ak chcete motor zastaviť, úplne uvoľnite rukoväť motorovej brzdy.
- Zatvorte palivový ventil. (Obr. 27)

Zabezpečenie optimálnych výsledkov

- Vždy používajte ostrý nôž. Tupý nôž poskytuje nepravidelné výsledky kosenia a pokosený povrch trávnik sožltne. Ostrý nôž spotrebuje menej energie ako tupý nôž.
- Nekoste viac ako 1/3 dĺžky trávy. Najprv koste s nastavenou vysokou výškou rezu. Skontrolujte výsledok a znížte výšku rezu na príslušnú úroveň. Ak je tráva veľmi vysoká, pohybujte sa pomaly a ak je to potrebné, pokoste ju dvakrát.
- Zakaždým koste iným smerom, aby ste predišli vzniku pruhov na trávniku.
- Udržiavajte kryt kosačky čistý. Nahromadenie trávy a nečistoty na vnútornej strane krytu kosačky môže viesť k horšiemu výsledku kosenia. Pozrite si časť *Čistenie externých povrchov výrobku na strane 314*.

Údržba

Úvod



VÝSTRAHA: Pred vykonávaním akejkoľvek údržby si musíte prečítať kapitolu o bezpečnosti a porozumieť jej.

Údržba a opravné práce na výrobku si vyžadujú špeciálne školenie. Zaručujeme dostupnosť profesionálnych opravných prác a údržby. Ak váš predajca nie je servisný zástupca, kontaktujte predajcu, ktorý vám poskytne informácie o najbližšom servisnom zástupcovi.

Podrobnejšie informácie nájdete na stránke www.husqvarna.com.

Plán údržby

Intervaly údržby sú vypočítané na základe každodenného používania výrobku. Ak sa výrobok nepoužíva každý deň, tieto intervaly sa menia.

V prípade údržby označenej symbolom * si pozrite pokyny v časti *Bezpečnostné zariadenia na výrobku na strane 310*.

Údržba	Denne	Týždenne	Mesačne
Vykonajte všeobecnú kontrolu	X		
Skontrolujte hladinu oleja	X		
Čistenie výrobku	X		
Vyčistite vzduchový filter	X		
Skontrolujte rezné zariadenie	X		
Skontrolujte kryt rezacej časti*	X		
Skontrolujte rukoväť motorovej brzdy*	X		
Skontrolujte tlmič výfuku*		X	
Skontrolujte zapalovaciu sviečku		X	
Skontrolujte, či hnací remeň nie je poškodený			X
Vyčistite skriňu prevodovky			X
V prípade modelov KLIPPO LB 448S, KLIPPO LB 453S. Vymeňte olej (prvýkrát po 5 hodinách používania, potom po každých 25 hodinách používania a ročne)			X
V prípade modelov KLIPPO LB 448SQ, KLIPPO LB 453SQ, KLIPPO LB 548SQe. Vymeňte olej (prvýkrát po 5 hodinách používania, potom po každých 100 hodinách používania a ročne)			X
Vymeňte vzduchový filter			X
Skontrolujte palivový systém			X
Skontrolujte a nastavte pohon (lanko spojky)			X

Vykonanie všeobecnej kontroly

- Uistite sa, že sú dotiahnuté všetky matice aj skrutky na výrobku.

Čistenie externých povrchov výrobku

- Pomocou kefy odstráňte listy, trávu a nečistoty.
- Uistite sa, že nie je zablokované nasávanie vzduchu vo vrchnej časti motora.

- Na čistenie výrobku nepoužívajte vysokotlakový čistič.
- Ak na čistenie výrobku použijete vodu, nelejte vodu priamo na motor.

Čistenie vnútorného povrchu krytu rezacej časti

1. Položte výrobok na stranu tak, aby tlmič výfuku smeroval nadol.



VAROVANIE: Ak výrobok položíte tak, že vzduchový filter bude smerovať nadol, môže dôjsť k poškodeniu motora.

2. Pomocou hadice vystriekajte vnútorné povrchy krytu rezacej časti.

Skontrolujte hnací remeň a vyčistite skriňu prevodovky

1. Odskrutkujte 4 skrutky na kryte remeňa a odstráňte chránič remeňa. (Obr. 28)
2. Skontrolujte, či hnací remeň a remenica nie sú poškodené.
3. Pomocou kefy odstráňte z krytu prevodovky listy, trávu a nečistoty. (Obr. 29)

Vymeňte a nastavte hnací remeň

1. Odskrutkujte 4 skrutky na kryte remeňa a odstráňte chránič remeňa. (Obr. 28)
2. Plochý skrutkovač vložte medzi kryt kolesa a kolieskom na pravom prednom kolese výrobku.
3. Dôkladne otočte skrutkovačom, aby ste odstránili kryt kolesa.
4. Odskrutkujte skrutku kolesa a vyberte koleso. (Obr. 30)
5. Odpojte hnací remeň od remenice.
6. Uistite sa, že remenice sa pohybujú ľahko na náprave.
7. Ak je to potrebné, naneste olej medzi a za remenicou a namažte nápravu.
8. Nasadte nový hnací remeň a správne ho pripevnite na guľôčkové ložisko pred nastavením hnacieho remeňa. (Obr. 31)
9. Posuňte guľôčkové ložisko nahor alebo nadol a nastavte hnací remeň. (Obr. 32)

Poznámka: Po použití sa nový hnací remeň stáva dlhším. Po niekoľkých hodinách prevádzky opäť nastavte hnací remeň.

10. Pripevnite chránič remeňa.
11. Vyskúšajte výrobok, aby ste sa uistili, že hnací remeň je správne nasadený a nastavený.

Vymeňte a nastavte stredový remeň

1. Odstráňte nôž.

Poznámka: Ak nastavujete len stredový remeň, tento krok nie je potrebný.

2. Uvoľnite nastavovacie skrutky niekoľkými otáčkami, ale neodstraňujte ich. (Obr. 33)
3. Vymeňte stredový remeň a mierne utiahnite nastavovacie skrutky.

Poznámka: Ak nastavujete len stredový remeň, tento krok nie je potrebný.

4. Posuňte prevodový stupeň dopredu alebo dozadu a nastavte stredový remeň. (Obr. 34)
5. Na kontrolu napnutia stredového remeňa použite hák meradla. Remeň je správne napnutý, keď je v strede vŕľa 6 - 10 mm. To sa rovná ťahu 3 kg. (Obr. 35)
6. Utiahnite nastavovacie skrutky úplne na uťahovací moment 3 Nm.
7. Vyskúšajte výrobok, aby ste sa uistili, že hnací remeň je správne nasadený a nastavený.

Kontrola rezného zariadenia



VÝSTRAHA: Aby ste zabránili náhodnému naštartovaniu, odpojte kábel zapalovania od zapalovacej sviečky.



VÝSTRAHA: Pri vykonávaní údržby rezného zariadenia používajte ochranné rukavice. Čepel je veľmi ostrá a ľahko môže dôjsť k porezaniu.

1. Skontrolujte, či sa na reznom zariadení nenachádzajú známky poškodenia alebo praskliny. Poškodené rezné zariadenie vždy vymeňte.
2. Skontrolujte, či nie je poškodený alebo tupý nôž.

Poznámka: Po nabrúsení je potrebné nôž vyrovnat'. Nôž nechajte nabrúsiť, vymeniť a vyrovnat' v servisnom stredisku. Ak narazíte na predmet, ktorý spôsobí zastavenie výrobku, vymeňte poškodený nôž. Nechajte, aby servisné stredisko rozhodlo, či je možné nôž nabrúsiť alebo sa musí vymeniť.

Výmena noža

1. Pomocou dreveného bloku zaistíte nôž. (Obr. 36)
2. Demontujte skrutku noža, pružnú podložku a čepeľ. (Obr. 37)
3. Skontrolujte podporu a skrutku noža, či nie sú poškodené.
 - a) Ak vymieňate čepeľ alebo podporu čepele, vymeňte aj skrutku čepele, pružnú a treciu podložku.
4. Skontrolujte hriadeľ motora a uistite sa, že nie je ohnutý.
5. Pri upevňovaní novej čepele sa uistite, že ohnuté konce smerujú ku krytu rezacej časti. (Obr. 38)

6. Umiestnite treciu podložku a čepeľ na podpera čepele. (Obr. 39)
7. Uistite sa, že je čepeľ zarovno so stredom hriadeľa motora. (Obr. 40)
8. Pomocou dreveného bloku zaistíte nôž. (Obr. 41)
9. Pripevnite pružnú podložku a utiahnite skrutku na uťahovací moment 80 Nm. (Obr. 42)
10. Rukou potočte nožom a uistite sa, že sa voľne otáča.



VÝSTRAHA: Používajte ochranné rukavice. Nôž je veľmi ostrý a ľahko môže dôjsť k porenaniu.

11. Zapnite výrobok a otestujte nôž. Ak nôž nie je správne upevnený, výrobok vibruje alebo poskytuje neuspokojivé výsledky kosenia.

Kontrola hladiny oleja



VAROVANIE: Príliš nízka hladina oleja môže viesť k poškodeniu motora. Pred zapnutím výrobku skontrolujte hladinu oleja.

1. Položte výrobok na rovný povrch.
2. Odstráňte uzáver nádrže na olej s olejovou mierkou.
3. Očistíte olej z olejovej mieryky.
4. Ponornú mierku zasuňte celú do nádrže na olej. Uťahnite uzáver nádrže na olej, aby ste sa uistili, že poskytuje správny obraz o hladine oleja.
5. Vytiahnite olejovú mierku.
6. Skontrolujte hladinu oleja na ponornej mierke.
7. V prípade príliš nízkej hladiny doplňte motorový olej a opätovne skontrolujte hladinu oleja.

(Obr. 43)

Poznámka: Použite lievik, aby ste zabránili úniku oleja.

Výmena motorového oleja



VÝSTRAHA: Bezprostredne po vypnutí motora je motorový olej veľmi horúci. Nechajte motor vychladnúť pred vypustením oleja. Ak sa motorový olej dostane na pokožku, očistite ju mydlom a vodou.

(Obr. 44)

1. Vytiahnite kábel zapalovania zo zapalovacej sviečky.
2. Odstráňte uzáver nádrže na olej.
3. Vypustíte motorový olej.
 - a) Pre modely so zátkou na vypustenie oleja: Pod zátku na vypustenie oleja položte nádobu na zachytenie motorového oleja.

- b) Pre modely bez zátky na vypustenie oleja alebo ak pod ňu nie je možné položiť nádobu na zachytenie motorového oleja: Na vypustenie motorového oleja z nádrže oleja použite olejové čerpadlo (príslušenstvo).
4. Nalejte do nádrže nový motorový olej, pričom sa riaďte odporúčaniami v kapitole *Technické údaje na strane 318*.
 5. Skontrolujte hladinu oleja. V časti *Kontrola hladiny oleja na strane 316*.

Vzduchový filter

Poznámka: Vzduchový filter, ktorý bol používaný dlhší čas, nemožno úplne vyčistiť. Vzduchový filter pravidelne vymieňajte. Poškodený vzduchový filter vždy vymeňte.

Demontáž a montáž vzduchového filtra (KLIPPO LB 488SQ, KLIPPO LB 453SQ, KLIPPO LB 548Qe)



VÝSTRAHA: Používajte ochranné rukavice.

1. Stlačte svorky na kryte vzduchového filtra.
2. Opatrne vyberte kryt vzduchového filtra (A) z motora.
3. Odstráňte vzduchový filter (B) a penový filter (C). (Obr. 45)
4. Skontrolujte, či vzduchový filter nie je poškodený. Poškodený vzduchový filter vymeňte.
5. Čistenie a kontrola vzduchového filtra V časti *Čistenie vzduchového filtra (KLIPPO LB 448SQ, KLIPPO LB 453SQ, KLIPPO LB 548Qe) na strane 316*.
6. Pri montáži postupujte v opačnom poradí.

Čistenie vzduchového filtra (KLIPPO LB 448SQ, KLIPPO LB 453SQ, KLIPPO LB 548Qe)



VAROVANIE: Nepoužívajte motor bez pripojeného vzduchového filtra alebo ak je vzduchový filter znečistený.



VAROVANIE: Ak vzduchový filter nie je možné úplne vyčistiť alebo je poškodený, vymeňte ho. Poškodený vzduchový filter spôsobuje poškodenie motora.

1. Zatláčte poistné výstupky (A), odstráňte kryt vzduchového filtra (B) a odstráňte vzduchový filter (C). (Obr. 46)

2. Oklepte vzduchový filter o tvrdý povrch alebo vyfúkните stlačený vzduch cez vzduchový filter z jeho čistej strany.



VAROVANIE: Na odstránenie nečistôt nepoužívajte kefu, pretože nečistoty sa tak zatlačia do vzduchového filtra.

3. Držiak vzduchového filtra (D) a kryt vzduchového filtra očistite vlhkou handričkou.



VAROVANIE: Uistite sa, že do vzduchového potrubia (E) nevnikla nečistota.

4. Nainštalujte vzduchový filter. Uistite sa, že filter pevne dosadá proti držiaku vzduchového filtra.
5. Najprv nasadte kryt vzduchového filtra so spodnými výstupkami.

Čistenie vzduchového filtra (KLIPPO LB 448S, KLIPPO LB 453S)



VAROVANIE: Nepoužívajte motor bez pripojeného vzduchového filtra alebo ak je vzduchový filter znečistený.



VAROVANIE: Ak vzduchový filter nie je možné úplne vyčistiť alebo je poškodený, vymeňte ho. Poškodený vzduchový filter spôsobuje poškodenie motora.

1. Zatlačte poistné výstupky (A), odstráňte kryt vzduchového filtra (B) a odstráňte vzduchový filter (C). (Obr. 47)
2. Oklepte vzduchový filter o tvrdý povrch alebo vyfúkните stlačený vzduch cez vzduchový filter z jeho čistej strany.



VAROVANIE: Na odstránenie nečistôt nepoužívajte kefu, pretože nečistoty sa tak zatlačia do vzduchového filtra.

3. Držiak vzduchového filtra (D) a kryt vzduchového filtra očistite vlhkou handričkou.



VAROVANIE: Uistite sa, že do vzduchového potrubia (E) nevnikla nečistota.

4. Nainštalujte vzduchový filter. Uistite sa, že filter pevne dosadá proti držiaku vzduchového filtra.
5. Najprv nasadte kryt vzduchového filtra so spodnými výstupkami.

Kontrola zapalovacej sviečky



VAROVANIE: Vždy používajte odporúčaný typ zapalovacej sviečky. Nesprávny typ zapalovacej sviečky môže spôsobiť poškodenie výrobku.

- Ak má motor slabý výkon, ťažko sa štartuje alebo pri voľnobežných otáčkach nefunguje správne, skontrolujte zapalovaciu sviečku.
- Ak chcete znížiť riziko prítomnosti neželaného materiálu na elektródach zapalovacej sviečky, postupujte takto:
 - a) Uistite sa, že voľnobežné otáčky sú správne nastavené.
 - b) Uistite sa, že používate správnu zmes paliva.
 - c) Uistite sa, že je čistý vzduchový filter.
- Ak je zapalovacia sviečka znečistená, očistite ju a skontrolujte, či je medzera medzi elektródami správna. Pozrite si časť *Technické údaje na strane 318*. (Obr. 48)
- V prípade potreby vymeňte zapalovaciu sviečku.

Kontrola palivového systému

- Skontrolujte veko palivovej nádrže a tesnenie veka palivovej nádrže a uistite sa, že nie sú poškodené.
- Skontrolujte palivovú hadicu a uistite sa, že z nej nevyteká palivo. Ak je palivová hadica poškodená, nechajte servisného zástupcu, aby ju vymenil.

Nastavenie lanka spojky

Ak pohon pracuje príliš pomaly, je potrebné nastaviť lanko spojky.

- Otočte nastavovaciu skrutku. (Obr. 49)

Spojovací vodič je správne nastavený, keď sa držiak spojovacieho vodiča nachádza v rovine s maticou.

(Obr. 50)

Preprava, skladovanie a likvidácia

Preprava a uskladnenie

- Pri uskladňovaní a preprave výrobku a paliva sa uistite, že nedochádza k úniku kvapaliny a výparov.

Iskry alebo otvorené plamene, napr. z elektrických zariadení alebo bojlerov, môžu vyvolať požiar.

- Na uskladnenie a prepravu paliva vždy používajte schválené kanistre.

- Pred uskladnením výrobku na dlhšiu dobu vyprázdňte palivovú nádrž. Palivo zlikvidujte v príslušnom zariadení na likvidáciu.
- Počas prepravy výrobok bezpečne upevnite, aby ste zabránili poškodeniu alebo nehodám.
- Výrobok skladujte v uzamknutom priestore mimo dosahu detí a neoprávnených osôb.
- Výrobok skladujte na suchom mieste, ktoré je chránené pred mrazom.

Likvidácia

- Dodržiavajte miestne požiadavky v oblasti recyklácie a platné predpisy.
- Všetky chemikálie, ako napr. motorový olej alebo palivo, zlikvidujte v servisnom stredisku alebo v príslušnom zariadení na likvidáciu.
- Keď už výrobok nepoužívate, pošlite ho predajcovi spoločnosti Husqvarna alebo ho zlikvidujte v recyklačnom zariadení.

Technické údaje

Technické údaje

	KLIPPO LB 448S	KLIPPO LB 448SQ	KLIPPO LB 453S	KLIPPO LB 453SQ	KLIPPO LB 548SQe
Motor					
Značka	Honda	Husqvarna	Honda	Husqvarna	Husqvarna
Model	GCVX-145	HS 166AP	GCVx-170	HS 166AP	HS 166AP
Typ motora	Jednovalcový, 4-taktný, chla- denie s núte- ným obehom vzduchu, OHV	Jednovalcový, 4-taktný, chla- denie s núte- ným obehom vzduchu, OHV	Jednovalcový, 4-taktný, chla- denie s núte- ným obehom vzduchu, OHV	Jednovalcový, 4-taktný, chla- denie s núte- ným obehom vzduchu, OHV	Jednovalcový, 4-taktný, chla- denie s núte- ným obehom vzduchu, OHV
Objem, cm ³	145	166	166	166	166
Rýchlosť, ot./min	2900	2900	2900	2900	2900
Menovitý výkon motora, kW ¹¹¹	2,7	2,75	3,3	2,75	2,75
Systém zapalovania					
Zapalovacia sviečka	NGK BPR5ES	Husqvarna HQT-7	NGK BPR5ES	Husqvarna HQT-7	Husqvarna HQT-7
Vzdialenosť elektród, mm	0,7–0,8	0,7 – 0,8	0,7–0,8	0,7 – 0,8	0,7 – 0,8
Systém paliva a mazania					
Typ mazania motora	Rozstrekova- ním oleja	Rozstrekova- ním oleja	Rozstrekova- ním oleja	Rozstrekova- ním oleja	Rozstrekova- ním oleja
Objem palivovej nádrže, litre	0,9	1,5	0,9	1,5	1,5
Objem olejovej nádrže, litre	0,5	0,5	0,55	0,5	0,5

¹¹¹ Vyznačený výkon motora je priemerný čistý výkon (pri uvedených ot./min) typického sériového motora pre model motora meraný podľa normy SAE J1349/ISO 1585. Sériovo vyrábané motory sa môžu od tejto hodnoty odlišovať. Skutočný výkon motora nainštalovaného na koncovom výrobku závisí od prevádzkovej rýchlosti, podmienok okolitého prostredia a iných hodnôt.

	KLIPPO LB 448S	KLIPPO LB 448SQ	KLIPPO LB 453S	KLIPPO LB 453SQ	KLIPPO LB 548SQe
Motorový olej ¹¹²	Husqvarna SAE 30	Husqvarna SAE 30	Husqvarna SAE 30/SAE 10W-30	Husqvarna SAE 30/SAE 10W-30	Husqvarna SAE 30/SAE 10W-30
Hmotnosť					
S prázdnymi nádržami, kg	30,5	32,5	33	33,5	34,5
Emisie hluku ¹¹³					
Nameraná hladina akustického výkonu, dB (A)	90	93	91	94	92
Zaručená úroveň hlučnosti L _{WA} dB(A)	91	93	94	95	93
Úrovně hlučnosti ¹¹⁴					
Hladina akustického tlaku pri uchu obsluhy, dB (A)	77	79	78	81	79
Stupne vibrácií, a_{hveq} ¹¹⁵					
Rukoväť, m/s ²	4,5	4,2	5,3	6,4	4,0
Rezné zariadenie					
Výška rezu, mm	30 – 60	30 – 60	30 – 60	30 – 60	30 – 60
Šírka rezu, mm	480	480	530	530	480
Nôž	Mulčovanie – 48 cm 5028813-10	Mulčovanie – 48 cm 5028813-10	Mulčovanie – 53 cm 5028814-10	Mulčovanie – 53 cm 5028814-10	Mulčovanie – 48 cm 5028813-10
Pohon					
Rýchlosť, km/h	4,5	4,5	4,5	4,5	4,5

¹¹² Ak sa motorový olej SAE-30 používa pri teplote nižšej ako +5 °C, existuje riziko, že motor nebude dostatočne mazaný. Môže tak dôjsť k poškodeniu motora. V časti *Výmena motorového oleja na strane 316* o vhodnom oleji použiteľnom pri nízkych teplotách.

¹¹³ Hladina hluku meraná ako akustický tlak (L_{WA}) v súlade s európskou smernicou 2000/14/ES.

¹¹⁴ Hladina akustického tlaku podľa smernice ISO 5395. Uvádzané údaje pre hladinu akustického tlaku majú typický štatistický rozptyl (štandardnú odchýlku) 1,2 dB (A).

¹¹⁵ Úroveň vibrácií podľa smernice ISO 5395. Uvádzané údaje pre ekvivalentný stupeň vibrácií majú typický štatistický rozptyl (štandardnú odchýlku) 0,2 m/s².

Vyhlasenie o zhode

Vyhlasenie o zhode EÚ

My, spoločnosť **Husqvarna AB**, SE-561 82 Huskvarna,
Švédsko, tel.: +46-36-146500, vyhlasujeme s plnou
zodpovednosťou, že výrobok:

Popis	Kosačka na trávu
Značka	Husqvarna
Typ/model	KLIPPO LB 448S, KLIPPO LB 453S, KLIPPO LB 448SQ, KLIPPO LB 453SQ, KLIPPO LB 548SQe
Identifikácia	Výrobné čísla od roku 2022 a novšie

plne spĺňa nasledujúce smernice a nariadenia EÚ:

Smernice/Nariadenia	Popis
2006/42/ES	„o strojových zariadeniach“
2014/30/EÚ	„o elektromagnetickej kompatibilite“
2000/14/ES	„týkajúca sa emisie hluku v prostredí pochádzajúceho zo zariadení používaných vo voľnom priestranstve“
2011/65/EÚ	„o obmedzení používania určitých nebezpečných látok v elektrických a elektronických zariadeniach“

a že sa pri ňom uplatňujú nasledujúce normy a
technické špecifikácie: EN ISO 5395-1:2013/A1:2018,
EN ISO 5395-2:2013/A1:2016/A2:2017, EN ISO
14982:2009, EN IEC 63000:2018.

Notifikovaný orgán: 0404, RISE SMP Svensk
Maskinprovning AB, Box 4053, SE-904 03 Umeå,
Sweden. osvedčil zhodu so smernicou Rady
2000/14/ES, posudzovanie zhody: príloha VI.

Informácie týkajúce sa emisie hluku nájdete v časti
Technické údaje na strane 318.

Huskvarna, 2023-02-07



Claes Losdal, Manažér vývoja/Produkty pre záhradu,
Husqvarna AB

Zodpovedný za technickú dokumentáciu



VSEBINA

Uvod.....	321	Vzdrževanje.....	326
Varnost.....	322	Transport skladiščenje in odstranitev.....	330
Montaža.....	325	Tehnični podatki.....	330
Delovanje.....	325	Izjava o skladnosti.....	333

Uvod

Opis izdelka

Izdelek je rotacijska kosilnica, ki z enoto BioClip® travo nareže v gnojilo.

Pregled izdelka

(Sl. 1)

1. Ročica/ročaj
2. Ročica zavore motorja
3. Pogonska ročica
4. Ročica zaganjalne vrvice
5. Pokrovček posode za olje
6. Ščitnik jermena
7. Dušilec
8. Svečka
9. Ščitnik jermena
10. Rezervoar za gorivo
11. Ročica za nastavitev kota ročaja
12. Sistem za dušenje treslajev
13. Nastavitev žice sklopke
14. Ročica za nastavitev višine košnje
15. Ventil za gorivo
16. Zračni filter
17. Pokrov rezila
18. Vzmetna podložka
19. Vijak rezila
20. Rezilo
21. Nosilec rezila
22. Vložek za mulčenje KLIPPO LB 448S, KLIPPO LB 448SQ, KLIPPO LB 548SQe
23. Navodila za uporabo

Simboli na izdelku

- (Sl. 2) OPOZORILO: Površna in napačna uporaba lahko povzroči poškodbe in celo smrt uporabnika ali drugih.
- (Sl. 3) Pred uporabo izdelka natančno preberite navodila za uporabo in se prepričajte, da ste jih razumeli.
- (Sl. 4) Pazite na leteče in odbite predmete.

Namen uporabe

Izdelek uporabite za rezanje trave. Izdelka ne uporabljajte za druga opravila.

- (Sl. 5) Poskrbite, da so osebe in živali na varni razdalji od delovnega območja.
- (Sl. 6) Izklopite motor in odstranite vžigalni kabel, šele nato opravite popravila ali vzdrževalna dela.
- (Sl. 7) Opozorilo: Z rokami in nogami ne segajte v območje premikanja vrtljivih delov.
- (Sl. 8) Opozorilo: Roke in noge držite stran od vrtljivega rezila.
- (Sl. 9) Izdelek je v skladu z veljavnimi predpisi CE.
- (Sl. 10) Izdelek je v skladu z veljavnimi direktivami ZK.
- (Sl. 11) Izdelek je skladen z veljavnimi direktivami Evrazijske carinske unije. Veljavno samo za KLIPPO LB 448S & KLIPPO LB 453S.
- (Sl. 12) Emisija hrupa v okolje je skladna z direktivami in uredbami EU, ZK ter zakonodajo Novega južnega Walesa, in sicer z direktivo "Zaščita okolja pri delu (nadzor hrupa) iz 2017". Zajamčena raven zvočne moči izdelka je navedena na in v *Tehnični podatki na strani 330* in na oznaki.
- (Sl. 13) Bralna koda.

Opomba: Ostali simboli in oznake na izdelku se nanašajo na zakonske zahteve, ki veljajo za nekatere trge.

Oznake na izdelku, samo za Avstralijo in Novo Zelandijo

(Sl. 14)

Roke in noge držite stran od vrtljivega rezila.

Stopnja emisij Euro V



OPOZORILO: Zaradi predelave motorja se razveljavi EU-homologacija tega izdelka.

Odgovornost proizvajalca

Kot je navedeno v zakonodaji, ki ureja odgovornost proizvajalca, ne prevzemamo nikakršne odgovornosti za

poškodbe, ki bi jih naši izdelki povzročili v naslednjih primerih:

- Izdelek ni pravilno popravljen.
- Izdelek je popravljen z deli, ki jih ni izdelal ali odobril proizvajalec.
- Na izdelku je nameščena dodatna oprema, ki je ni izdelal ali odobril proizvajalec.
- Izdelek ni bil popravljen v pooblaščenem servisnem centru ali pri pooblaščenem organu.

Varnost

Varnostne definicije

Opozorila, svarila in opombe opozarjajo na posebej pomembne dele priročnika.



OPOZORILO: Se uporabi, če obstaja nevarnost telesne poškodbe ali smrti uporabnika ali opazovalcev ob neupoštevanju navodil v tem priročniku.



POZOR: Se uporabi, če obstaja nevarnost poškodbe izdelka, drugih materialov ali okolice ob neupoštevanju navodil v tem priročniku.

Opomba: Se uporabi za podajanje podrobnejših informacij, potrebnih v dani situaciji.

Splošna varnostna navodila



OPOZORILO: Pred uporabo izdelka preberite navodila v povezavi z opozorili v nadaljevanju.

- Ta izdelek je lahko nevaren, če ga ne uporabljate pravilno ali če niste previdni. Če ne upoštevate varnostnih navodil, lahko nastopijo poškodbe ali celo smrt.
- Izdelek med delovanjem ustvarja elektromagnetno polje. To polje lahko v nekaterih pogojih interferira z aktivnimi ali pasivnimi medicinskimi vsadki. Emisije hrupa za oznako okolja v skladu z EU (vključno z zakonodajo avstralske zvezne države New South Wales) ter direktivami in uredbami Združenega kraljestva.
- Vedno bodite previdni in ravnajte razumno. Če niste prepričani, kako upravljati ta izdelek v določeni

situaciji, prenehajte z delom in se pogovorite s prodajalcem Husqvarna.

- Ne pozabite, da je uporabnik odgovoren za nesreče, ki jih povzroči drugim ljudem ali njihovi lastnini.
- Izdelek redno čistite. Pozorno preberite znake in nalepke.
- Ne dovolite osebi, ki ni prebrala in ne razume vsebine navodil za uporabo, da upravlja ta izdelek.
- Izdelka ne smejo uporabljati otroci.
- Otroci naj ostanejo zunaj delovnega območja. Vedno mora biti prisotna odgovorna odrasla oseba.
- Izdelka ne smejo uporabljati osebe, ki ne poznajo navodil za uporabo.
- Če izdelek uporabljajo osebe z zmanjšanimi fizičnimi ali intelektualnimi sposobnostmi, jih nenehno nadzorujte. Vedno mora biti prisotna odgovorna odrasla oseba.
- Izdelka ne uporabljajte, ko ste utrujeni, bolni, ali pod vplivom alkohola, drog ali zdravil. To negativno vpliva na vaš vid, pozornost, koordinacijo in presojo.
- Ne uporabljajte izdelkov, ki so poškodovani ali ne delujejo pravilno.
- Izdelka ne spreminjajte ali uporabljajte, če obstaja možnost, da so ga spremenile tretje osebe.
- Ne spreminjajte nastavitve števila vrtljajev motorja.

Varnost delovnega področja



OPOZORILO: Pred uporabo izdelka preberite navodila v povezavi z opozorili v nadaljevanju.

- Z delovnega območja pred začetkom dela odstranite predmete, kot so veje, vejice in kamni.
- Predmeti, ki pridejo v kontakt z rezalno opremo, lahko odletijo in poškodujejo osebe in ostale predmete. Opazovalci in živali naj bodo na varni razdalji od izdelka.

- Izdelka nikoli ne uporabljajte v slabem vremenu, kot je megla, dež, močan veter, izreden mraz ter nevarnost strele. Če izdelek uporabljate v slabem vremenu ali v vlažnih ali mokrih okoljih, vas bo to utrudilo. Slabo vreme lahko povzroči nevarne pogoje, kot je spolzka podlaga.
- Bodite pozorni na osebe, predmete in situacije, ki lahko preprečijo varno obratovanje izdelka.
- Bodite pozorni na ovire, kot so korenine, kamni, veje, jame in jarki. Visoka trava lahko prekriva ovire.
- Košnja trave na pobočju je lahko nevarna. Izdelka ne uporabljajte na pobočjih z naklonom, večjim od 15°.
- Izdelek uporabljajte prečno na pobočje. Ne premikajte se navzgor in navzdol.
- Bodite previdni, kadar se približujete kotom in predmetom, ki omejujejo pogled.

Varnost pri delu



OPOZORILO: Pred uporabo izdelka preberite navodila v povezavi z opozorili v nadaljevanju.

- Ta izdelek uporabljajte izključno za košnjo trave. Ne uporabljajte ga za druga opravila.
- Uporabljajte osebno zaščitno opremo. Glejte *Osebna zaščitna oprema na strani 323*.
- V zaslinem primeru morate znati motor hitro izklopiti.
- Motorja nikoli ne vklopite v zaprtem prostoru ali v bližini vnetljivega materiala. Izpušni plini iz motorja so vroči in lahko vsebujejo iskre, ki lahko povzročijo požar.
- Izdelka ne uporabljajte, če rezilo in vsi pokrovi niso nameščeni pravilno. Nepravilno nameščeno rezilo lahko odleti in povzroči poškodbe.
- Pazite, da rezilo ne udarja ob predmete, npr. kamenje in korenine. To lahko poškoduje rezilo in ukrivi motorno gred. Zvita os povzroča vibracije in zelo visoko tveganje, da rezilo odleti.
- Če rezilo trči ob predmet ali začutite vibracije, izdelek nemudoma izklopite. S svečke odstranite vžigalni kabel. Preglejte, ali je izdelek morda poškodovan. Poškodbe popravite ali pa popravilo prepustite pooblaščenemu serviserju.
- Ročico zavore motorja nikoli ne pritrđite trajno na ročaj, ko je motor obratuje.
- Izdelek vklopite na stabilni in ravni podlagi. Prepričajte se, da rezilo ne trči ob tla ali druge predmete.
- Vedno bodite za izdelkom, ko ga upravljate.
- Ko upravljate izdelek, morajo biti vsa kolesa na tleh, prav tako pa imejte na ročaju obe roki. Roke in noge držite stran od vrtljivih rezil.
- Pri delujočem motorju izdelka nikoli ne nagibajte.
- Ko izdelek potegnete nazaj, bodite previdni.
- Izdelka ne dvigajte, ko motor deluje. Če morate izdelek dvigniti, motor izklopite in s svečke odstranite vžigalni kabel.

- Med uporabo izdelka ne hodite vzvratno.
- Izklopite motor, ko se premikate prek področij brez trave, npr. poti iz gramoza, kamna in asfalta.
- Pri delujočem motorju ne tecite z izdelkom. Pri uporabi tega izdelka vedno hodite.
- Preden spreminjate višino reza, ustavite motor. Ne izvajajte prilagoditev, ko motor deluje.
- Ko je motor vklopljen, imejte izdelek vedno v pogledu. Motor izklopite in se prepričajte, da se rezalna oprema ne vrti.

Varnostna navodila za uporabo

Osebna zaščitna oprema



OPOZORILO: Pred uporabo izdelka preberite navodila v povezavi z opozorili v nadaljevanju.

- Osebna zaščitna oprema ne more popolnoma preprečiti poškodb, vendar v primeru nesreče omili posledice. Prodajalec naj vam pomaga izbrati ustrezno opremo.
- Če je moč hrupa višja od 85 dB, uporabljajte zaščitno opremo za sluh.
- Uporabite trpežno obutev, ki ne drsi. Ne bodite bosi ali nosite odprtih čevljev.
- Oblečene imejte trpežne, dolge hlače.
- Po potrebi uporabite zaščitne rokavice, npr. kadar pritrđujete, pregledujete ali čistite rezalno opremo.

Varnostne naprave na izdelku



OPOZORILO: Pred uporabo izdelka preberite navodila v povezavi z opozorili v nadaljevanju.

- Ne uporabljajte izdelka z varnostnimi napravami, ki so poškodovane ali ne delujejo pravilno.
- Redno preverjajte varnostne naprave. Če so varnostne naprave poškodovane ali ne delujejo pravilno, se obrnite na servisnega zastopnika Husqvarna.
- Ne spreminjajte varnostnih naprav.

Preverjanje pokrova rezila

Pokrov rezila zmanjšuje moč vibracij v izdelku in zmanjšuje nevarnost poškodb, katerih vzrok bi lahko bilo rezilo.

- Preglejte pokrov rezila in se prepričajte, da nima poškodb, kot so razpoke.

Preverjanje ščitnika jermena

Ščitnik jermena zmanjšuje nevarnost poškodb in poskrbi, da pretrgan pogonski jermen ne izskoči.

- Prepričajte se, da ščitnik jermena ni poškodovan in je pravilno pritrjen. (Sl. 15)

Ročica zavore motorja

Ročica zavore motorja izklopi motor. Ko je ročica zavore motorja sproščena, se motor ustavi.

Če želite preveriti zavoro motorja, vklopite motor, potem pa sprostite ročico zavore motorja. Če se motor ne izklopi v 3 sekundah, peljite izdelek k pooblaščenemu serviserju Husqvarna, da nastavi zavoro motorja.

(Sl. 16)

Preverjanje sistema za dušenje treslajev



OPOZORILO: Pri osebah, ki imajo zmanjšano cirkulacijo krvi, lahko pretirana izpostavljenost treslajem povzroči poškodbe ožilja ali živčevja. Če opazite znamenja pretirane izpostavljenosti treslajem, pojdite po medicinsko pomoč. Ti simptomi zajemajo otrplost, izgubo občutenja, ščemenje, zbadanje, bolečino, zmanjšano moč in spremembe barve ali stanja kože. Običajno se pojavijo v prstih, na rokah ali na zapestjih.

Sistem za dušenje treslajev med delovanjem zmanjša treslaje v ročajih.

Jeklena cev v ročaju in pokrov rezila sta namenjena zmanjšanju treslajev. KLIPPO LB 548SQe ima prav tako 4 elemente za blaženje treslajev, ki so pritrjeni na ročaj.

- Preglejte ročaje in elemente za blaženje treslajev ter se prepričajte, da ti niso poškodovani. (Sl. 17)

Nosilec rezila

Nosilec rezila zmanjša tveganje, da bi se motorna gred ukrivila. Če rezilo trči ob predmet, se rezilo premakne na nosilec rezila. Ta premik povzroči obrabo na površju nosilca rezila. Obraba je znak, da zaščita motorne gredi deluje pravilno.

Dušilnik

Dušilnik zmanjšuje raven hrupa na najnižjo možno raven in odvaja izpušne pline stran od uporabnika.

Izdelka ne uporabljajte, če dušilnik ni nameščen ali je poškodovan. Poškodovan dušilnik zviša nivo hrupa in poveča nevarnost požara.



OPOZORILO: Dušilnik se med in po uporabi ter med delovanjem motorja v prostem teku zelo segreje. V bližini vnetljivih materialov in/ali hlapov bodite previdni, da preprečite požar.

Preverjanje dušilnika

- Dušilnik redno preverjajte in se tako prepričajte, da je pravilno nameščen in ni poškodovan.

Varnost pri delu z gorivom



OPOZORILO: Pred uporabo izdelka preberite navodila v povezavi z opozorili v nadaljevanju.

- Če so na izdelku ostanki goriva ali motornega olja, izdelka ne zaganjajte. Očistite ostanke goriva/olja in počakajte, da se izdelek posuši.
- Če se z gorivom polijete po obleki, se nemudoma preoblecite.
- Pazite, da goriva ne polijete po telesu, saj lahko pride do poškodb. Če gorivo polijete po telesu, se očistite z milom in vodo.
- Če motor pušča, izdelka ne zaganjajte. Redno preverjajte, ali motor pušča.
- Z gorivom ravnajte previdno. Gorivo je vnetljivo, hlapi pa so eksplozivni, zato lahko pride do poškodb ali smrti.
- Ne vdihavajte hlapov goriva, saj lahko pride do poškodb. Zagotovite zadosten pretok zraka.
- V bližini goriva ali motorja ne kadite.
- Vročih predmetov ne postavljajte v bližino goriva ali motorja.
- Goriva ne dolivajte, ko je motor vklopljen.
- Pred dolivanjem goriva se prepričajte, da je motor ohlajen.
- Pred dolivanjem počasi odprite pokrovček posode za gorivo in previdno sprostite pritisk.
- Goriva ne dolivajte v zaprtih prostorih. Nezadosten pretok zraka lahko povzroči poškodbe ali smrt zaradi zadušitve ali zastrupitve z ogljikovim monoksidom.
- Skrbno privijte pokrovček posode za gorivo. Če pokrovček posode za gorivo ni dobro zatesnjen, obstaja nevarnost požara.
- Preden izdelek vklopite, ga premaknite najmanj 3 m/10 čevljev stran od mesta, kjer ste napolnili posodo za gorivo.
- Rezervoar za gorivo ne napolnite do konca. Gorivo se razširi zaradi vročine. Pustite prazen prostor na vrhu rezervoarja za gorivo.

Varnostna navodila za vzdrževanje



OPOZORILO: Pred uporabo izdelka preberite navodila v povezavi z opozorili v nadaljevanju.

- Izpušni plini vsebujejo ogljikov monoksid iz motorja, ki je brezbarven, strupen in zelo nevaren plin. Motorja ne vklopite v zaprtih prostorih.
- Preden začnete z vzdrževanjem izdelka, ustavite motor in s svečke odstranite vžigalni kabel.
- Pri vzdrževanju rezalne opreme uporabite zaščitne rokavice. Rezilo je izjemno ostro, zato lahko hitro pride do ureznin.
- Dodatki in spremembe izdelka, ki niso odobrene s strani proizvajalca, lahko vodijo k resnim

poškodbam ali celo v smrt. Ne spreminjajte izdelka. Vedno uporabljajte samo dodatke, ki jih je odobril proizvajalec.

- Če izdelka ne vzdržujete pravilno in redno, se poveča nevarnost poškodb osebam in izdelku.
- Vzdrževanje opravite tako, kot piše v teh navodilih za uporabo. Vsakršno drugačno vzdrževanje

mora opraviti osebje pooblaščen servisne delavnice Husqvarna.

- Redno dovolite osebju pooblaščen servisne delavnice Husqvarna izvajati vzdrževalna dela.
- Zamenjajte poškodovane, obrabljene ali zlomljene dele.

Montaža

Uvod



OPOZORILO: Preden sestavite izdelek morate prebrati in razumeti poglavje o varnosti.



OPOZORILO: Preden sestavite izdelek odklopite kabel vžigalne svečke s svečke.

Namestitev in nastavitev ročaja

1. S plošče na zgornjem ročaju odstranite matico ročaja in podložko.
2. Zgornji ročaj namestite na vrh spodnjega ročaja.



POZOR: Prepričajte se, da žice niso zataknejene ali poškodovane.

3. Pritrdite podložko in matico ročaja. (Sl. 18)
4. Kadar izdelek uporabljate v bližini stene, ročaj obrnite na stran tako, da je v dobrem položaju za delo. (Sl. 19)
5. Za navpično prilagoditev ročaja zavrtite nastavitvena kolesa na ohišju. (Sl. 20)

Namestitev vložka za mulčenje (KLIPPO LB 448S, KLIPPO LB 448SQ, KLIPPO LB 548SQe)

1. Nagnite izdelek vzvratno, tako da je svečka zgoraj.
2. Zatiče vložka za mulčenje vtaknite v luknje z notranje strani pokrova rezila. (Sl. 21)
3. Pritrdite vijake za vložek za mulčenje z zunanje strani pokrova rezila. (Sl. 22)

Delovanje

Uvod



OPOZORILO: Pred uporabo izdelka morate prebrati in razumeti poglavje o varnosti.

Husqvarna Connect

Husqvarna Connect je brezplačna aplikacija za vašo mobilno napravo. Aplikacija Husqvarna Connect omogoča razširitev funkcij vašega izdelka Husqvarna:

- Dodatne informacije o izdelku.
- Informacije o izdelku, delih in servisu ter pomoč.

Začetek uporabe: Husqvarna Connect

1. V mobilno napravo si prenesite aplikacijo Husqvarna Connect.
2. Registrirajte se v aplikaciji Husqvarna Connect.
3. Za vzpostavitev povezave in registracijo izdelka sledite navodilom v aplikaciji Husqvarna Connect.

Pred uporabo izdelka

1. Natančno preberite navodila za uporabo in se prepričajte, da ste jih razumeli.
2. Preglejte rezalno opremo in se prepričajte, da je pravilno pritrjena in nastavljena. Glejte *Kako pregledati rezalno opremo na strani 328*.
3. Napolnite rezervoar za gorivo. Glejte *Dolivanje goriva na strani 325*.
4. Napolnite rezervoar olja in preverite nivo olja. Glejte *Kako preveriti nivo olja na strani 328*.

Dolivanje goriva

Če je na voljo, uporabite nizkoemisijsko/alkilatno gorivo. Če nizkoemisijsko/alkilatno gorivo ni na voljo, uporabite neosvinčeno gorivo dobre kakovosti ali osvinčeno gorivo, ki ima najmanj 90 oktanov.



POZOR: Ne uporabljajte bencina, ki ima oktansko število nižje od 90 RON (87 AKI). Izdelek se lahko tako poškoduje.

1. Počasi odprite pokrovček posode za gorivo, da sprostite pritisk.

2. Napolnite počasi s posodo za gorivo. Če gorivo polijete, ga pobrišite s krpo in pustite, da se preostalo gorivo posuši. (Sl. 23)
3. Očistite področje okrog pokrovčka posode za gorivo.
4. Skrbno privijte pokrovček posode za gorivo. Če pokrovček posode za gorivo ni dobro zatesnjen, obstaja nevarnost požara.
5. Preden izdelek vklopite, ga premaknite najmanj 3 m (10 čevljev) stran od mesta, kjer ste napolnili posodo za gorivo.

Nastavitev višine košnje

Košnjo lahko nastavite na 6 višin.

1. Potisnite ročico za nastavitev višine košnje naprej, da zvišate višino košnje.
2. Povlecite ročico za nastavitev višine košnje nazaj, da znižate višino košnje.



POZOR: Ne nastavite višino rezanja prenizko. Rezila lahko trčijo ob tla, če površina travnika ni ravna.

Zagone izdelka

1. Prepričajte se, da je kabel vžigalne svečke priklopljen na svečko.
2. Odprite ventil goriva. (Sl. 24)
3. Ostanite za izdelkom.
4. Ročico zavore motorja držite ob ročaju. (Sl. 25)
5. Z desno roko držite ročico zaganjalne vrvice.
6. Zaganjalno ročico počasi izvlecite, da začutite nekoliko upora.
7. Močno povlecite, da zaženete motor.



OPOZORILO: Zaganjalne vrvice ne navijajte okoli zapestja.

Uvod



OPOZORILO: Pred izvajanjem vzdrževalnih del morate prebrati in razumeti poglavje o varnosti.

Za servisiranje in popravila na izdelku posebno usposabljanje ni potrebno. Zagotavljamo, da vam bodo na voljo strokovna popravila in servisiranje. Če vaš prodajalec ni pooblaščen serviser, ga povprašajte, kje je naslednja najbližja pooblaščen servisna delavnica.



POZOR: Zaganjalne vrvice ne iztegnite popolnoma. Ko je zaganjalna vrvica iztegnjena, ne izpustite njene ročice.

Za pogon koles

- Pogonsko ročico potisnite navzdol. (Sl. 26)
- Preden izdelek povlečete vzvratno, sprostite pogonsko ročico in izdelek potisnite naprej približno 10cm.
- Nekoliko sprostite ročico zavore motorja, da izklopite pogon, na primer ko ste blizu ovire.

Izklop izdelka

- Če želite zaustaviti samo pogon, nekoliko sprostite ročico motorne zavore.
- Če želite izklopiti motor, popolnoma sprostite ročico zavore motorja.
- Zaprite ventil goriva. (Sl. 27)

Kako doseči dober rezultat

- Vedno uporabljajte ostra rezila. Če uporabljate topo rezilo, bo trava pokošena neenakomerno, ob zarezah pa lahko postane tudi rumena. Ostro rezilo prav tako porabi manj energije kot topo rezilo.
- Ne odrežite več kot tretjino dolžine travnih bilk. Najprej kosite z visoko nastavitvijo višine košnje. Preglejte rezultat in nastavite višino košnje na ustrezno višino. Če je trava zelo visoka, vozite počasi in po potrebi kosite dvakrat.
- Vsakič kosite v različnih smereh, da se na travi ne bi pojavile črte.
- Pokrov kosišča mora biti čist. Obloge iz trave in umazanije na notranji strani pokrova kosišča lahko zmanjša učinkovitost košnje. Glejte *Kako čistiti zunanost izdelka na strani 327*.

Vzdrževanje

Za več informacij glejte www.husqvarna.com.

Urniki vzdrževanja

Izračunani intervali vzdrževanja veljajo za vsakodnevno uporabo izdelka. Intervali se spremenijo, če izdelka ne uporabljate vsakodnevno.

Za vzdrževalna dela, označena z *, glejte navodila v *Varnostne naprave na izdelku na strani 323*.

Vzdrževanje	Dnevno	Tedensko	Mesečno
Opravite splošen pregled	X		
Preverite nivo olja	X		
Izdelek očistite	X		
Očistite zračni filter	X		
Preglejte rezalno opremo	X		
Preglejte pokrov rezila*	X		
Preglejte ročico zavoro motorja*	X		
Preglejte dušilec*		X	
Preglejte svečko		X	
Preglejte, če so na pogonskem jermenu poškodbe			X
Očistite ohišje menjalnika			X
Za KLIPPO LB 448S, KLIPPO LB 453S. Zamenjajte olje (prvič po 5 urah uporabe, potem po vsakih 25 urah uporabe in enkrat na leto.)			X
Za KLIPPO LB 448SQ, KLIPPO LB 453SQ, KLIPPO LB 548SQe. Zamenjajte olje (prvič po 5 urah uporabe, potem po vsakih 100 urah uporabe in enkrat na leto.)			X
Zamenjajte zračni filter			X
Preglejte sistem za gorivo			X
Preglejte in nastavite pogon (žica za sklopko)			X

Izvajanje splošnih pregledov

- Prepričajte se, da so vse matice in vijaki na izdelku ustrezno priti.

Kako čistiti zunanost izdelka

- S krtačo odstranite listje, travo in umazanijo.
- Prepričajte se, da dovod zraka na vrhu motorja ni oviran.
- Izdelka ne čistite z visokotlačnim čistilnikom.
- Če izdelek operete z vodo, pazite, da voda ne teče neposredno na motor.

Kako očistiti notranjo površino pokrova rezila

1. Izdelek položite na stran tako, da je dušilec na spodnji strani.



POZOR: Če položite izdelek na stran tako, da je na tleh zračni filter, lahko poškodujete motor.

2. Izperite notranjo površino pokrova rezila z vodo.

Pregled pogonskega jermena in čiščenje ohišja menjalnika

1. Odstranite 4 vijake na ščitniku jermena in odstranite ščitnik jermena. (Sl. 28)
2. Preglejte, ali so na pogonskem jermenu in jermenici poškodbe.
3. S krtačko odstranite listje, travo in umazanijo z ohišja menjalnika. (Sl. 29)

Menjava in nastavev pogonskega jermena

1. Odstranite 4 vijake na ščitniku jermena in odstranite ščitnik jermena. (Sl. 28)
2. Med kolesni pokrov in kolo na desnem sprednjem kolesu izdelka potisnite ploščat izvijač.
3. Izvijač previdno zavrtite, da odstranite kolesni pokrov.
4. Odstranite kolesni zatič in odstranite kolo. (Sl. 30)
5. Pogonski jermen odstranite z jermenic.
6. Prepričajte se, da se jermenice zlahka premikajo po osi.

- Po potrebi napršite z oljem med jermenicami in za njimi ter namažite os.
- Namestite nov pogonski jermen in ga pravilno pritrдите na kroglični ležaj, preden prilagodite pogonski jermen. (Sl. 31)
- Kroglični ležaj premaknite navzgor ali navzdol, da prilagodite pogonski jermen. (Sl. 32)

Opomba: Nov pogonski jermen po uporabi postane daljši. Po nekaj urah delovanja pogonski jermen znova prilagodite.

- Namestite ščitnik jermena.
- Zaženite izdelek, da se prepričate, da je pogonski jermen pravilno nameščen in prilagojen.

Menjava in nastavev sredinske jermenice

- Odstranite rezilo.

Opomba: Ta korak ni potreben, kadar samo prilagajate sredinsko jermenico.

- Sprostite nastavitvene šobe za nekaj vrtljajev, vendar jih ne odstranite. (Sl. 33)
- Zamenjajte sredinsko jermenico in zmerno pritrđite nastavitvene šobe.

Opomba: Ta korak ni potreben, kadar samo prilagajate sredinsko jermenico.

- Menjalnik premikajte naprej ali nazaj, da prilagodite sredinsko jermenico. (Sl. 34)
- S tehtnico s kavljem za obešanje preverite napetost sredinske jermenice. Jermen je primerno napet, ko se na sredini lahko premika za 6–10 mm. To je enako sili pritiska 3 kg. (Sl. 35)
- Nastavitvene šobe zategnite do konca z zateznim momentom 3 Nm.
- Zaženite izdelek, da se prepričate, da je pogonski jermen pravilno nameščen in prilagojen.

Kako pregledati rezalno opremo



OPOZORILO: Odstranite vžigalni kabel s svečke, da preprečite naključni vklop motorja.



OPOZORILO: Pri vzdrževanju rezalne opreme uporabite zaščitne rokavice. Rezilo je izjemno ostro, zato lahko hitro pride do uresnin.

- Preverite, ali je rezalna oprema poškodovana oziroma razpokana. Če je rezalna oprema poškodovana, jo zamenjajte.
- Preverite, ali je rezilo poškodovano ali topo.

Opomba: Rezilo morate po brušenju postaviti v ravnesje. Izdelek peljite na servisni center, da rezilo nabrusijo, zamenjajo in uravnesijo. Če trčite ob oviro in se izdelek ustavi, zamenjajte poškodovano rezilo. Pooblašena servisna delavnica naj oceni, ali lahko rezilo izostrijo ali pa ga je treba zamenjati.

Zamenjava rezil

- Rezilo blokirajte z leseno klado. (Sl. 36)
- Odstranite vijak rezila, vzmetno podložko in rezilo. (Sl. 37)
- Preverite, ali sta nosilec rezila in vijak rezila poškodovana.
 - Če zamenjate rezilo ali nosilec rezila, zamenjajte tudi vijak rezila, vzmetno podložko in torni podložko.
- Preglejte, ali je motorna gred zvita.
- Ko pritrđite novo rezilo, usmerite nagnjene strani v smer pokrova rezila. (Sl. 38)
- Torni podložko in rezilo namestite na nosilec rezila. (Sl. 39)
- Prepričajte se, da je rezilo poravnano s središčem motorne gredi. (Sl. 40)
- Rezilo blokirajte z leseno klado. (Sl. 41)
- Pitrđite vzmetno podložko in privijte vijak z zateznim momentom 80 Nm. (Sl. 42)
- Ročno zavrtite rezilo in se prepričajte, da se prosto obrača.



OPOZORILO: Uporabljajte zaščitne rokavice. Rezilo je izjemno ostro, zato lahko hitro pride do uresnin.

- Izdelek vklopote, da preizkusite rezilo. Če rezilo ni pritrđeno pravilno, bo izdelek vibriral, rezultat košnje pa ne bo zadovoljiv.

Kako preveriti nivo olja



POZOR: Če je nivo olja prenizek, se lahko poškoduje motor. Preden zaženete izdelek, preverite nivo olja.

- Izdelek naj bo na ravnih tleh.
- Odstranite pokrov rezervoarja olja s priloženo merilno palico.
- Z merilne palice očistite olje.
- Merilno palico vstavite do konca v rezervoar olja. Privijte pokrovček posode za olje, da zagotovite pravilno sliko nivoja olja.
- Odstranite merilno palico.
- Na merilni palici preučite nivo olja.

7. Če je nivo olja nizek, dolijte motorno olje in še enkrat preverite nivo olja.

(Sl. 43)

Opomba: Uporabite lijak, da preprečite razlitje.

Zamenjava motornega olja



OPOZORILO: Tik po zaustavitvi motorja je motorno olje zelo vroče. Preden iztočite motorno olje, se motor mora ohladiti. Če polijete motorno olje po koži, se umijte z milom in vodo.

(Sl. 44)

1. S svečke odstranite vžigalni kabel.
2. Odstranite pokrovček posode za olje.
3. Odočite motorno olje.
 - a) Pri modelih z vijakom za izpust olja: Pod vijak za izpust olja postavite posodo, kamor se bo izteklo motorno olje.
 - b) Pri modelih brez vijaka za izpust olja oziroma če posode ni mogoče namestiti pod vijak za izpust olja: Uporabite oljno črpalko (dodatna oprema), da se olje izteče iz posode za olje.
4. Dolijte novo motorno olje, priporočila najdete v *Tehnični podatki na strani 330*.
5. Preverite nivo olja. Glejte *Kako preveriti nivo olja na strani 328*.

Zračni filter

Opomba: Zračni filter, ki ga uporabljate dolgo, ne morete popolnoma sčistiti. Zračni filter zamenjajte v rednih intervalih. Če je zračni filter poškodovan, ga zamenjajte.

Čiščenje in pregled zračnega filtra (KLIPPO LB 488SQ, KLIPPO LB 453SQ, KLIPPO LB 548Qe)



OPOZORILO: Uporabljajte zaščitne rokavice.

1. Potisnite objemke na pokrovu zračnega filtra.
2. Previdno odstranite pokrov zračnega filtra (A) z motorja.
3. Odstranite zračni filter (B) in filter iz pene (C). (Sl. 45)
4. Preverite, ali je zračni filter poškodovan. Če je zračni filter poškodovan, ga zamenjajte.

5. Očistite in preglejte zračni filter. Glejte *Čiščenje zračnega filtra (KLIPPO LB 448SQ, KLIPPO LB 453SQ, KLIPPO LB 548Qe) na strani 329*.
6. Namestitev poteka v obratnem vrstnem redu.

Čiščenje zračnega filtra (KLIPPO LB 448SQ, KLIPPO LB 453SQ, KLIPPO LB 548Qe)



POZOR: Motor ne sme delovati brez nameščenega zračnega filtra ali če je zračni filter umazan.



POZOR: Če zračnega filtra ni mogoče v celoti očistiti ali je poškodovan, ga zamenjajte. Poškodovan zračni filter poškoduje motor.

1. Potisnite zaklepna jezička (A), odstranite pokrov zračnega filtra (B) in izvlecite zračni filter (C). (Sl. 46)
2. Zračni filter udarite ob trdo površino ali skozi njega spihajte stisnjeni zrak s čiste strani.



POZOR: Filtra ne čistite s krtačenjem, saj tako umazanijo le vtirate.

3. Očistite nosilec zračnega filtra (D) in pokrov zračnega filtra očistite z vlažno krpo.



POZOR: Prepričajte se, da v zračno cev (E) ne prihaja umazanija.

4. Namestite zračni filter. Prepričajte se, da se zračni filter tesno prilega nosilcu zračnega filtra.
5. Zračni filter namestite tako, da najprej vstavite spodnje jezičke.

Čiščenje zračnega filtra (KLIPPO LB 448S, KLIPPO LB 453S)



POZOR: Motor ne sme delovati brez nameščenega zračnega filtra ali če je zračni filter umazan.



POZOR: Če zračnega filtra ni mogoče v celoti očistiti ali je poškodovan, ga zamenjajte. Poškodovan zračni filter poškoduje motor.

1. Potisnite zaklepna jezička (A), odstranite pokrov zračnega filtra (B) in izvlecite zračni filter (C). (Sl. 47)
2. Zračni filter udarite ob trdo površino ali skozi njega spihajte stisnjeni zrak s čiste strani.



POZOR: Filtra ne čistite s krtačenjem, saj tako umazanijo le vtirate.

3. Očistite nosilec zračnega filtra (D) in pokrov zračnega filtra očistite z vlažno krpo.



POZOR: Prepričajte se, da v zračno cev (E) ne prihaja umazanija.

4. Namestite zračni filter. Prepričajte se, da se zračni filter tesno prilega nosilcu zračnega filtra.
5. Zračni filter namestite tako, da najprej vstavite spodnje jezičke.

Pregled svečke



POZOR: Vedno uporabljajte priporočeno vrsto svečke. Zaradi neustrezne vrste vžigalne svečke se izdelek lahko poškoduje.

- Če se moč motorja zmanjša, motorja ni mogoče enostavno zagnati ali ta ne deluje ustrezno v prostem teku, preglejte vžigalno svečko.
- Tveganje za pojav oblog na elektrodah vžigalne svečke lahko zmanjšate tako, da upoštevate ta navodila:
 - a) Hitrost prostega teka mora biti pravilno nastavljena.

- b) Mešanica goriva mora biti ustrezna.
- c) Zračni filter mora biti čist.

- Če je vžigalna svečka umazana, jo očistite in zagotovite, da je razmak med elektrodama ustrezen; glejte *Tehnični podatki na strani 330*. (Sl. 48)
- Vžigalno svečko po potrebi zamenjajte.

Kako pregledati sistem za gorivo

- Preverite, ali sta pokrov rezervoarja za gorivo in tesnilo pokrova rezervoarja za gorivo poškodovana.
- Preverite, ali cev za gorivo pušča. Če je cev za gorivo poškodovana, naj jo pooblaščen servisna delavnica zamenja.

Kako nastaviti žico sklopke

Če se vam zdi vožnja počasna, je potrebno nastaviti žico sklopke.

- Obrnite nastavitven vijak. (Sl. 49)

Žica sklopke je pravilno nastavljena, ko je držalo žične potege poravnano z matico.

(Sl. 50)

Transport skladiščenje in odstranitev

Prevoz in skladiščenje

- Preden prevažate in skladiščite izdelek in gorivo, se prepričajte, da izdelek ne pušča in da ni hlapov. Iskre ali odprti plamen, npr. z električnih naprav ali kotlov, lahko zanetijo ogenj.
- Za prevoz in skladiščenje goriva vedno uporabite odobrene posode.
- Preden izdelek skladiščite za daljše obdobje, izpraznite rezervoar za gorivo. Gorivo zavržite na temu primernem zbirnem mestu.
- Izdelek varno pritrdite na prevozno sredstvo, da se izognete poškodbam in nesrečam.
- Izdelek skladiščite v zaklenjenem prostoru, tako da otroci ali osebe, ki niso primerne za rokovanje z izdelkom, do izdelka ne morajo dostopati.

- Izdelek skladiščite na suhem mestu, kjer ne zmrzuje.

Odstranitev

- Upoštevajte lokalne zahteve za recikliranje in ustrezne predpise.
- Vse kemikalije, kot so motorno olje ali gorivo, zavržite na servisnem centru ali na kakšni drugi temu primerni lokaciji.
- Ko izdelka ne uporabljate več, ga pošljite k prodajalcu Husqvarna ali pa ga zavržite na mestu za recikliranje.

Tehnični podatki

Tehnični podatki

	KLIPPO LB 448S	KLIPPO LB 448SQ	KLIPPO LB 453S	KLIPPO LB 453SQ	KLIPPO LB 548SQe
Motor					
Znamka	Honda	Husqvarna	Honda	Husqvarna	Husqvarna

	KLIPPO LB 448S	KLIPPO LB 448SQ	KLIPPO LB 453S	KLIPPO LB 453SQ	KLIPPO LB 548SQe
Model	GCVX-145	HS 166AP	GCVx-170	HS 166AP	HS 166AP
Tip motorja	Enojni valj, 4-taktni, prisilno hlajenje z zrakom, OHV	Enojni valj, 4-taktni, prisilno hlajenje z zrakom, OHV	Enojni valj, 4-taktni, prisilno hlajenje z zrakom, OHV	Enojni valj, 4-taktni, prisilno hlajenje z zrakom, OHV	Enojni valj, 4-taktni, prisilno hlajenje z zrakom, OHV
Prostornina, cm ³	145	166	166	166	166
Hitrost v vrt./min	2900	2900	2900	2900	2900
Nazivna izhodna moč motorja v kW ¹¹⁶	2,7	2,75	3,3	2,75	2,75
Vžigalni sistem					
Svečka	NGK BPR5ES	Husqvarna HQT-7	NGK BPR5ES	Husqvarna HQT-7	Husqvarna HQT-7
Razmak med elektrodama, mm	0,7–0,8	0,7-0,8	0,7–0,8	0,7-0,8	0,7-0,8
Sistem za gorivo in mazanje					
Vrsta maziva za motor	Pršenje	Pršenje	Pršenje	Pršenje	Pršenje
Prostornina posode za gorivo, litri	0,9	1,5	0,9	1,5	1,5
Prostornina posode za olje, litri	0,5	0,5	0,55	0,5	0,5
Motorno olje ¹¹⁷	Husqvarna SAE 30	Husqvarna SAE 30	Husqvarna SAE 30/SAE 10W-30	Husqvarna SAE 30/SAE 10W-30	Husqvarna SAE 30/SAE 10W-30
Teža					
S praznimi rezervoarji v kg	30,5	32,5	33	33,5	34,5
Emisije hrupa ¹¹⁸					
Raven zvočne moči, izmerjena v dB (A)	90	93	91	94	92
Raven zvočne moči, zajamčena L _{WA} v dB(A)	91	93	94	95	93
Nivoji hrupa ¹¹⁹					
Nivo zvočnega tlaka pri ušesu operaterja, dB(A)	77	79	78	81	79

¹¹⁶ Navedena vrednost moči stroja je povprečni skupni izhod (pri določenem številu vrtljajev na minuto) običajnega proizvodnega stroja za model stroja, izmerjen po standardu SAE J1349/ISO1585. Stroji masovne proizvodnje imajo lahko drugačno vrednost. Dejanska moč izdelka, nameščenega na končni napravi, je odvisna od delovne hitrosti, okoljskih pogojev in drugih vrednosti.

¹¹⁷ Če olje SAE-30 uporabljate pri temperaturah, nižjih od 5 °C, obstaja nevarnost, da motor ne bo dovolj namazan. Ob tem lahko pride do poškodb motorja. Glejte, *Zamenjava motornega olja na strani 329* če želite ugotoviti, katero olje je primerno za nizke temperature.

¹¹⁸ Emisije hrupa v okolje, merjene kot moč zvoka (L_{WA}), v skladu z direktivo ES 2000/14/ES.

¹¹⁹ Nivo zvočnega tlaka v skladu s standardom ISO 5395. Zabeleženi podatki za nivo zvočnega tlaka imajo tipično statistično razpršitev (standardni odklon) 1,2 dB (A).

	KLIPPO LB 448S	KLIPPO LB 448SQ	KLIPPO LB 453S	KLIPPO LB 453SQ	KLIPPO LB 548SQe
Nivo vibracij, a_{hveq}¹²⁰					
Ročaj, m/s ²	4,5	4,2	5,3	6,4	4,0
Rezalna oprema					
Višina reza v mm	30–60	30–60	30–60	30–60	30–60
Širina rezanja, mm	480	480	530	530	480
Rezilo	Mulčenje – 48 cm 5028813-10	Mulčenje – 48 cm 5028813-10	Mulčenje – 53 cm 5028814-10	Mulčenje – 53 cm 5028814-10	Mulčenje – 48 cm 5028813-10
Pogon					
Hitrost v km/h	4,5	4,5	4,5	4,5	4,5

¹²⁰ Raven vibracij v skladu s standardom ISO 5395. Zabeleženi podatki za raven vibracij imajo tipično statistično razpršitev (standardni odklon) 0,2 m/s².

Izjava o skladnosti

Izjava EU o skladnosti

Mi, **Husqvarna AB**, SE--561 82 Huskvarna, Švedska,
tel.: +46-36-146500, izjavljamo na lastno odgovornost,
da je izdelek:

Opis	Vrtna kosilnica
Znamka	Husqvarna
Vrsta/model	KLIPPO LB 448S, KLIPPO LB 453S, KLIPPO LB 448SQ, KLIPPO LB 453SQ, KLIPPO LB 548SQe
Identifikacija	Serijske številke od letnika 2022 dalje

v celoti skladen z naslednjimi direktivami in uredbami
EU:

Direktiva/uredba	Opis
2006/42/ES	"o strojih"
2014/30/EU	o elektromagnetni združljivosti
2000/14/EC	"o emisijah hrupa v okolico"
2011/65/EU	"o omejevanju uporabe nekaterih nevarnih snovi v električni in elektronski opremi"

in so pri tem v veljavi naslednji standardi in/ali tehnične
specifikacije: EN ISO 5395-1:2013/A1:2018, EN ISO
5395-2:2013/A1:2016/A2:2017, EN ISO 14982:2009, EN
IEC 63000:2018.

Priglašeni organ: 0404, RISE SMP Svensk
Maskinprovning AB, Box 4053, SE-904 03 Umeå,
Sweden. je potrdil skladnost z direktivo Sveta
2000/14/ES; postopki ugotavljanja skladnosti: Priloga VI.

Za informacije v zvezi z emisijami hrupa glejte poglavje
Tehnični podatki na strani 330.

Huskvarna, 2023-02-07



Claes Losdal, Vodja oddelka za razvoj vrtno opreme,
Husqvarna AB

Odgovorni za tehnično dokumentacijo



Sadržaj

Uvod.....	334	Održavanje.....	340
Bezbednost.....	335	Transport, skladištenje i odlaganje.....	343
Sklapanje.....	338	Tehnički podaci.....	344
Rukovanje.....	338	Deklaracija o usaglašenosti.....	346

Uvod

Opis proizvoda

Proizvod je rotirajuća kosačica koju gura korisnik, a koja koristi BioClip® za seckanje trave u đubrivo.

Pregled proizvoda

(Sl. 1)

1. Ručka/upravljač
2. Ručica kočnice motora
3. Poluga za pokretanje
4. Ručica užeta startera
5. Poklopac za ulje
6. Štitnik remena
7. Prigušivač
8. Svećica
9. Štitnik remena
10. Rezervoar za gorivo
11. Poluga za podešavanje ugla ručice
12. Sistem prigušenja vibracija
13. Podešavanje sajle kvačila
14. Poluga visine košenja
15. Ventil za gorivo
16. Filter za vazduh
17. Poklopac košenja
18. Opružna podloška
19. Zavrtanj noža
20. Nož
21. Potpora sečiva
22. Merica za usitnjenu travu KLIPPO LB 448S, KLIPPO LB 448SQ, KLIPPO LB 548SQe
23. Uputstvo za rukovaoca

Simboli na proizvodu

- (Sl. 2) UPOZORENJE: Nemarna ili nepravilna upotreba može dovesti do povrede ili smrti rukovaoca ili drugih osoba.
- (Sl. 3) Pre upotrebe, pažljivo pročitajte korisničko uputstvo i budite sigurni da ste ga razumeli.
- (Sl. 4) Pazite na odbačene predmete i odskakivanja.

Namena

Koristite proizvod za košenje trave. Nemojte koristiti proizvod za druge zadatke.

- (Sl. 5) Pazite da ljudi i životinje budu na bezbednoj udaljenosti od radnog područja.
- (Sl. 6) Zaustavite motor i uklonite kabl za paljenje pre popravki i održavanja.
- (Sl. 7) Upozorenje: Udaljite šake i stopala od rotirajućih delova.
- (Sl. 8) Upozorenje: Udaljite šake i stopala od rotirajućeg noža.
- (Sl. 9) Proizvod je usaglašen sa važećim direktivama EZ.
- (Sl. 10) Proizvod je usaglašen sa važećim direktivama UK.
- (Sl. 11) Proizvod je usaglašen sa važećim direktivama Evroazijske carinske unije. Važi samo za KLIPPO LB 448S & KLIPPO LB 453S.
- (Sl. 12) Oznaka emisije buke u okruženje u skladu sa direktivama i propisima EU i UK i propisom o zaštiti radova u okruženju (kontrola buke) Novog Južnog Velsa iz 2017. Garantovani nivo zvučne snage za ovaj proizvod naveden je u *Tehnički podaci na stranici 344* i na nalepnici.
- (Sl. 13) Kôd koji se može skenirati.

Napomena: Ostali simboli/nalepnice koji su navedeni na proizvodu odnose se na pravne zahteve specifične za tržište.

Oznaka na proizvodu, samo za Australiju i Novi Zeland

(Sl. 14)

Udaljite šake i stopala od rotirajućeg sečiva.

Emisije Euro V.



UPOZORENJE: Neovlašćene prepravke motora poništavaju EU tip odobrenja za ovaj proizvod.

Odgovornost za proizvod

Kako je izloženo u zakonima o odgovornosti za proizvode, mi nismo odgovorni za oštećenja

prouzrokovana našim proizvodom u sledećim slučajevima:

- proizvod je popravljen na pogrešan način
- proizvod je popravljen korišćenjem delova koji nisu napravljeni ili odobreni od strane proizvođača
- proizvod ima opremu koja ne potiče ili nije odobrena od strane proizvođača
- proizvod nije popravljen u ovlašćenom servisnom centru ili od strane ovlašćenog stručnjaka

Bezbednost

Bezbednosne definicije

Upozorenja, mere opreza i napomene se koriste da ukažu na naročito važne delove korisničkog uputstva.



UPOZORENJE: Koristi se ako, usled nepoštovanja uputstava, postoji rizik od nastanka telesnih povreda ili smrti kod rukovaoca ili prisutnih osoba.



OPREZ: Koristi se ako, usled nepoštovanja uputstava, postoji rizik od nastanka oštećenja na proizvodu, drugim materijalima ili susednim oblastima.

Napomena: Koristi se za pružanje više informacija koje su neophodne u datoj situaciji.

Opšta bezbednosna uputstva



UPOZORENJE: Pročitajte upozoravajuća uputstva koja slede pre korišćenja proizvoda.

- Proizvod je opasan ako se koristi na nepravilan način ili ako niste oprezni. Može doći do telesne povrede ili smrti ako se ne pridržavate bezbednosnih uputstava.
- Ovaj proizvod pri radu stvara elektromagnetno polje. Ovo polje u određenim uslovima može da izazove smetnje na aktivnim i pasivnim medicinskim implantatima. Kako bi se smanjio rizik od teških ili smrtnih povreda, preporučujemo osobama koje imaju medicinske implante da se pre upotrebe ovog uređaja konsultuju sa lekarom ili proizvođačem implanta.
- Uvek budite pažljivi i koristite zdrav razum. Ako niste sigurni kako da rukujete proizvodom u određenoj

situaciji, prekinite rad i obratite se Husqvarna prodavcu pre nastavka rada.

- Imajte na umu da će se rukovalac smatrati odgovornim za nesrećne slučajeve koji uključuju druge osobe ili njihovu imovinu.
- Održavajte proizvod čistim. Pobrinite se da jasno možete pročitati znakove i nalepnice.
- Nemojte dozvoliti da druga osoba koristi proizvod osim ako se niste uverili da je pročitala i razumela sadržaj korisničkog uputstva.
- Nemojte dozvoliti da dete rukuje proizvodom.
- Vodite računa o tome da deca ne budu u radnom području. Odgovorna odrasla osoba mora biti prisutna sve vreme.
- Ne dozvolite neobučenicima da rukuju proizvodom.
- Uvek nadzirite osobu sa smanjenim fizičkim ili mentalnim sposobnostima koja koristi proizvod. Odgovorna odrasla osoba mora biti prisutna sve vreme.
- Nemojte koristiti proizvod kada ste umorni, bolesni ili pod uticajem alkohola, droge ili lekova. To negativno utiče na vaš vid, opreznost, koordinaciju i rasuđivanje.
- Nemojte koristiti uređaj koji je oštećen ili neispravan.
- Nemojte vršiti izmene na proizvodu i nemojte koristiti proizvod ako postoji mogućnost da su druge osobe vršile izmene na njemu.
- Nemojte da menjate podešavanje za kontrolu brzine motora.

Bezbednost u oblasti rada



UPOZORENJE: Pročitajte upozoravajuća uputstva koja slede pre korišćenja proizvoda.

- Uklonite predmete kao što su grane, grančice i kamenje iz radnog područja pre nego što počnete da koristite proizvod.
- Predmeti koji udare o opremu za košenje mogu da budu izbačeni i izazovu povredu osoba ili oštećenje predmeta. Pazite da prisutne osobe i životinje budu na bezbednoj udaljenosti od proizvoda.
- Nikada nemojte koristiti proizvod u lošim vremenskim uslovima kao što su magla, kiša, jak vetar, intenzivna hladnoća i kada postoji opasnost od pojave munja. Korišćenje proizvoda u lošim vremenskim uslovima ili na vlažnim lokacijama je zamorno. Loši vremenski uslovi mogu da izazovu opasne okolnosti, kao što su klizave površine.
- Vodite računa o osobama, predmetima i situacijama koji bi mogli da spreče bezbedan rad proizvoda.
- Pazite na prepreke, kao što su korenje, kamenje, grančice, jame i jarci. Visoka trava može da sakrije prepreke.
- Košenje trave na nagibima može biti opasno. Nemojte koristiti proizvod na terenu koji ima nagib veći od 15°.
- Rukujte proizvodom preko prednjih strana nagiba. Nemojte ga pomerati gore i dole.
- Budite pažljivi kada se približavate skrivenim uglovima i predmetima koji bi mogli da blokiraju vaš vidik.
- Nemojte postavljati ručicu kočnice motora trajno na ručku kada je motor pokrenut.
- Postavite proizvod na stabilnu, ravnu površinu i pokrenite ga. Vodite računa da sečivo ne dodiruje tlo ili druge predmete.
- Uvek stojte iza proizvoda kada radite sa njim.
- Vodite računa da svi točkići ostanu na tlu i držite dve ruke na ručki kada rukujete proizvodom. Udaljite šake i stopala od rotirajućih sečiva.
- Nemojte naginjati proizvod kada je motor pokrenut.
- Budite pažljivi kada povlačite proizvod unazad.
- Nikada nemojte podizati proizvod kada je motor pokrenut. Ako morate da podignete proizvod, prvo isključite motor i odvojte kabl za paljenje sa svećice.
- Nemojte hodati unazad kada radite sa proizvodom.
- Zaustavite motor kada se krećete preko područja bez trave, na primer, stazica napravljenih od šljunka, kamena i asfalta.
- Ne trčite sa proizvodom ako mu radi motor. Uvek hodajte kada radite sa proizvodom.
- Zaustavite motor pre nego što promenite visinu košenja. Nikada nemojte da vršite podešavanja dok je motor pokrenut.
- Nikada nemojte dozvoliti da proizvod ostane bez nadzora dok je motor pokrenut. Zaustavite motor i uverite se da se oprema za košenje ne okreće.

Bezbednost na radu



UPOZORENJE: Pročitajte upozoravajuća uputstva koja slede pre korišćenja proizvoda.

- Koristite ovaj proizvod samo za košenje travnjaka. Nije dozvoljeno njegovo korišćenje za druge zadatke.
- Koristite ličnu zaštitnu opremu. Pogledajte *Lična zaštitna oprema na stranici 336*.
- Naučite kako da brzo zaustavite motor u slučaju opasnosti.
- Nemojte da pokrećete motor u zatvorenom prostoru ili blizu zapaljivih materijala. Izduvni gasovi motora su vreli i mogu da sadrže varnice, što može izazvati požar.
- Nemojte raditi sa proizvodom ako sečivo i svi poklopci nisu pravilno postavljeni. Nepravilno postavljeno sečivo se može otkaçiti i prouzrokovati telesnu povredu.
- Pobrinite se da sečivo ne udara o predmete kao što su kamenje ili korenje. To može dovesti do oštećenja noža i savijanja osovine motora. Savijena osovina proizvodi velike vibracije i postoji povećana opasnost da se sečivo olabavi.
- Ako sečivo udari o predmet ili ako se pojave vibracije, odmah zaustavite proizvod. Uklonite kabl za paljenje sa svećice. Pregledajte proizvod u pogledu oštećenja. Otklonite oštećenja ili dozvolite ovlašćenom servisnom agentu da izvrši popravku.

Bezbednosna uputstva za rad

Lična zaštitna oprema



UPOZORENJE: Pročitajte upozoravajuća uputstva koja slede pre korišćenja proizvoda.

- Lična zaštitna oprema ne može da u potpunosti spreči telesnu povredu, ali ona umanjuje stepen telesne povrede ako dođe do nesrećnog slučaja. Neka vam vaš prodavac pomogne u izboru odgovarajuće opreme.
- Koristite zaštitu za uši ako je nivo buke iznad 85 dB.
- Nosite čvrste neklizajuće cizme ili cipele. Nemojte nositi obuću sa otvorenim prstima ili ići bosonogi.
- Uvek nosite duge pantalone od čvrstog materijala.
- Nosite zaštitne rukavice po potrebi, na primer, kada pričvršćujete, pregledate ili čistite opremu za košenje.

Bezbednosni uređaji na proizvodu



UPOZORENJE: Pročitajte upozoravajuća uputstva koja slede pre korišćenja proizvoda.

- Nemojte da koristite bezbednosne uređaje koji su oštećeni ili neispravni.
- Redovno proveravajte bezbednosne uređaje. Ako su bezbednosni uređaji oštećeni ili neispravni, obratite se svom Husqvarna servisnom agentu.

- Nemojte vršiti izmene na bezbednosnim uređajima.

Provera poklopca mehanizma za košenje

Poklopac mehanizma za košenje smanjuje vibracije u proizvodu, kao i rizik od povrede nožem.

- Pregledajte poklopac košenja kako biste se uverili da nema oštećenja kao što su naprsline.

Provera štitnika remena

Štitnik remena smanjuje rizik od povrede i onemogućava da dođe do izbacivanja pogonskog remena.

- Uverite se da štitnik remena nije oštećen i da je ispravno postavljen. (Sl. 15)

Ručica kočnice motora

Ručica kočnice motora zaustavlja motor. Kada je ručica kočnice motora otpuštena, motor se zaustavlja.

Da biste izvršili proveru kočnice motora, pokrenite motor pa otpustite ručicu kočnice motora. Ako se motor ne zaustavi u roku od 3 sekunde, neka ovlašćeni Husqvarna serviser izvrši podešavanje kočnice motora.

(Sl. 16)

Da biste proverili sistem prigušenja vibracija



UPOZORENJE: Preterano izlaganje vibracijama može da dovede do oštećenja krvotoka ili oštećenja nervnog sistema kod osoba sa slabijom cirkulacijom krvi. Obratite se lekaru ako imate simptome preterane izloženosti vibracijama. Primeri takvih simptoma su obamrlost, gubitak osećaja, žmarci, iglice, bolovi, malaksalost i promene u boji i stanju kože. Simptomi se obično pojavljuju u prstima, šakama ili zglobovima.

Sistem prigušenja vibracija smanjuje vibracije u ručki na minimum tokom rada.

Čelična cev u upravljaču i poklopac mehanizma za košenje smanjuju vibracije. KLIPPO LB 548SQe poseduje i četiri jedinice za prigušenje vibracija pričvršćene za upravljač.

- Pregledajte upravljač i jedinice za prigušenje vibracija da biste se uverili da nisu oštećeni. (Sl. 17)

Potpota sečiva

Potpota sečiva smanjuje rizik od savijanja osovine motora. Ako sečivo udari u neki predmet, sečivo će se pomeriti uz potporu sečiva. Pomeranje dovodi do habanja površine potpore sečiva. Habanje ukazuje da zaštitna osovine motora radi ispravno.

Prigušivač

Prigušivač održava nivo buke na minimumu i šalje izduvne gasove dalje od rukovaoca.

Ne koristite proizvod ako prigušivač nedostaje ili je oštećen. Oštećeni prigušivač povećava nivo buke i rizik od požara.



UPOZORENJE: Prigušivač postaje veoma vruć tokom i nakon korišćenja i kada motor radi pri brzini praznog hoda. Budite pažljivi u blizini zapaljivih materijala i/ili isparenja kako biste sprečili požar.

Da biste proverili prigušivač

- Redovno proveravajte prigušivač kako biste se uverili da je ispravno postavljen i da nije oštećen.

Bezbednost oko goriva



UPOZORENJE: Pročitajte upozoravajuća uputstva koja slede pre korišćenja proizvoda.

- Nemojte pokretati proizvod ako na njemu postoje tragovi goriva ili motornog ulja. Uklonite neželjeno gorivo/ulje i sačekajte da se proizvod osuši.
- Ako prospete gorivo na odeću, odmah je presvucite.
- Nemojte dozvoliti da gorivo dospe na vaše telo, ono može izazvati telesnu povredu. Ako vam gorivo dospe na telo, uklonite ga vodom i sapunom.
- Nemojte pokretati proizvod ako postoji curenje iz motora. Redovno proveravajte da li postoji curenje iz motora.
- Budite oprezni pri rukovanju gorivom. Gorivo je zapaljivo a isparenja su eksplozivna i mogu izazvati telesne povrede ili smrt.
- Nemojte udisati isparenja goriva, to može izazvati telesnu povredu. Pobrinite se da ima dovoljno protoka vazduha.
- Nemojte pušiti u blizini goriva ili motora.
- Nemojte stavljeti vruće predmete blizu goriva ili motora.
- Nemojte dolivati gorivo kada motor radi.
- Uverite se da je motor hladan pre dopunjavanja goriva.
- Pre dopunjavanja goriva, lagano otvorite poklopac rezervoara za gorivo i pažljivo otpustite pritisak.
- Nemojte dolivati gorivo u motor u zatvorenom prostoru. Nedovoljan protok vazduha može izazvati telesnu povredu ili smrt usled gušenja ili prisustva ugljen-monoksida.
- Do kraja zategnite čep rezervoara za gorivo. Ako čep rezervoara za gorivo nije zategnut, postoji opasnost od požara.
- Izmaknite proizvod bar 3 m / 10 stopa od mesta na kojem ste napunili rezervoar pre pokretanja.

- Ne puniti rezervoar za gorivo do vrha. Toplota izaziva širenje goriva. Ostavite prazan prostor na vrhu rezervoara za gorivo.

Bezbednosna uputstva za održavanje



UPOZORENJE: Pročitajte upozoravajuća uputstva koja slede pre korišćenja proizvoda.

- Izduvni gasovi iz motora sadrže ugljen-monoksid, otrovan i veoma opasan gas bez mirisa. Nemojte puštati motor u rad u zatvorenim prostorima.
- Pre održavanja proizvoda zaustavite motor i uklonite kabl za paljenje sa svećice.
- Nosite zaštitne rukavice kada vršite održavanje na opremi za košenje. Sečivo je veoma oštro i lako dolazi do posekotine.

- Oprema i izmene na proizvodu koji nisu odobreni od strane proizvođača mogu da izazovu teške telesne povrede ili smrt. Nemojte vršiti izmene na proizvodu. Koristite samo delove koje je odobrio proizvođač.
- Ako se održavanje ne vrši na ispravan način i redovno, raste rizik od telesnih povreda i oštećenja proizvoda.
- Vršite samo održavanja opisana u ovom korisničkom uputstvu. Ostalo servisiranje mora da obavlja ovlašćeni Husqvarna serviser.
- Neka ovlašćeni Husqvarna servisni agent redovno vrši servisiranje proizvoda.
- Zamenite oštećene, pohabane ili pokvarene delove.

Sklopanje

Uvod



UPOZORENJE: Pre sklopanja proizvoda, morate pročitati i razumeti poglavlje o bezbednosti.



UPOZORENJE: Uklonite kabl svećice sa svećice pre sklopanja proizvoda.

Sastavljanje i podešavanje ručke

1. Uklonite navrtku ručke i podlošku sa ploče na gornjoj ručki.
2. Postavite gornju ručku u položaj iznad donje ručke.



OPREZ: Uverite se da sajle ne budu uhvaćene ili da se ne oštete.

3. Pričvrstite podlošku i navrtku ručke. (Sl. 18)
4. Okrenite ručku na stranu radi dobrog položaja za rad kada proizvod koristite blizu zida. (Sl. 19)
5. Okrenite točkice za podešavanje na kucištu da biste vertikalno podesili ručku. (Sl. 20)

Postavljanje merice za usitnjenu travu (KLIPPO LB 448S, KLIPPO LB 448SQ, KLIPPO LB 548SQe)

1. Nagnite proizvod ka zadnjoj strani tako da svećica bude okrenuta nagore.
2. Postavite iglice merice za usitnjenu travu u otvore sa unutrašnje strane poklopca mehanizma za košenje. (Sl. 21)
3. Pričvrstite zavrtne za mericu za usitnjenu travu sa spoljne strane poklopca mehanizma za košenje. (Sl. 22)

Rukovanje

Uvod



UPOZORENJE: Pre rada sa proizvodom, morate pročitati i razumeti poglavlje o bezbednosti.

Husqvarna Connect

Husqvarna Connect je besplatna aplikacija za mobilne uređaje. Aplikacija Husqvarna Connect pruža proširene funkcije za proizvod Husqvarna:

- Dodatne informacije o proizvodu.

- Informacije o delovima proizvoda i servisiranju i pomoći u vezi s njima.

Da biste počeli koristiti Husqvarna Connect

1. Preuzmite aplikaciju Husqvarna Connect na svoj mobilni uređaj.
2. Registrirajte se u aplikaciji Husqvarna Connect.
3. Pratite uputstva u aplikaciji Husqvarna Connect da biste se spojili i registrovali proizvod.

Pre rada sa proizvodom

1. Pažljivo pročitajte korisničko uputstvo i budite sigurni da razumete njegov sadržaj.

2. Pregledajte opremu za košenje i uverite se da je pravilno postavljena i podešena. Pogledajte *Pregled opreme za košenje na stranici 341*.
3. Napunite rezervoar za gorivo. Pogledajte *Dosipanje goriva na stranici 339*.
4. Napunite rezervoar za ulje i proverite nivo ulja. Pogledajte *Provera nivoa ulja na stranici 342*.

Dosipanje goriva

Ako je dostupan, koristite alkilatni benzin / benzin koji proizvodi manju količinu štetnih izduvnih gasova. Ako vam nije dostupan alkilatni benzin / benzin koji proizvodi manju količinu štetnih izduvnih gasova, koristite bezolovni benzin ili benzin sa olovom čiji oktanski broj nije manji od 90.



OPREZ: Nemojte koristiti benzin sa oktanskim brojem manjim od 90 RON (87 AKI). To može prouzrokovati oštećenje proizvoda.

1. Polako otvorite čep rezervoara za gorivo da biste izjednačili pritisak.
2. Polako napunite iz kanistera za gorivo. Ako prospete gorivo, obrišite ga krpom i sačekajte da se preostalo gorivo osuši. (Sl. 23)
3. Obrišite deo oko čepa rezervoara za gorivo.
4. Do kraja zategnite čep rezervoara za gorivo. Ako čep rezervoara za gorivo nije zategnut, postoji opasnost od požara.
5. Izmaknite proizvod bar 3 m (10 stopa) od mesta na kojem ste sipali gorivo pre pokretanja.

Podešavanje visine košenja

Visina košenja se može podesiti u 6 nivoa.

1. Pomerite ručicu visine košenja unapred da biste smanjili visinu košenja.
2. Pomerite ručicu visine košenja unazad da biste smanjili visinu košenja.



OPREZ: Nemojte postavljati visinu košenja suviše nisko. Sečiva mogu da udare o tlo ako površina travnjaka nije ujednačena.

Pokretanje proizvoda

1. Proverite da li je kabl za paljenje povezan sa svećicom.

2. Otvorite ventil za gorivo. (Sl. 24)
3. Stanite iza proizvoda.
4. Stisnite ručicu kočnice motora. (Sl. 25)
5. Držite ručicu užeta startera desnom rukom.
6. Lagano izvlačite užu startera dok ne osetite otpor.
7. Snažno povucite da biste pokrenuli motor.



UPOZORENJE: Nemojte namotavati užu startera oko ruke.



OPREZ: Ne izvlačite užu startera u potpunosti. Ne otpuštajte dršku užeta startera dok je užu izvučeno.

Korišćenje pogona na točkicama

- Gurnite polugu za pokretanje nadole. (Sl. 26)
- Pre nego što povučete proizvod unazad, odvojite pogon i gurnite proizvod ka napred približno 10cm.
- Otpustite malo ručicu kočnice motora da biste deaktivirali pogon, na primer, kada se približite prepreci.

Zaustavljanje proizvoda

- Da biste zaustavili samo pogon, otpustite malo ručicu kočnice motora.
- Da biste zaustavili motor, otpustite ručicu kočnice motora u potpunosti.
- Zatvorite ventil za gorivo. (Sl. 27)

Za dobre rezultate

- Uvek koristite oštro sečivo. Tupo sečivo daje neujednačeni rezultat i pokošena površina trave postaje žuta. Oštro sečivo takođe koristi manje energije nego tupo sečivo.
- Nemojte kositi više od 1/3 dužine trave. Prvo kosite sa visokom visinom košenja. Pregledajte rezultat i spustite visinu košenja na prihvatljivi nivo. Ako je trava zaista visoka, vozite polako i kosite dvaput ako bude potrebno.
- Kosite u različitim smerovima svaki put da biste izbegli pruge na travnjaku.
- Poklopac košenja mora da bude čist. Naslage trave i prljavštine s unutarnje strane poklopca košenja mogu da umanje rezultate košenja. Pogledajte *Čišćenje proizvoda spolja na stranici 340*

Održavanje

Uvod



UPOZORENJE: Pre održavanja, morate pročitati i razumeti poglavlje o bezbednosti.

Za sva servisiranja i popravke proizvoda, potrebna je specijalna obuka. Garantujemo dostupnost stručnih popravki i servisiranja. Ako vaš prodavac nije servisni agent, obratite mu se za informacije o najbližem servisnom agentu.

Za detaljnije informacije pogledajte www.husqvarna.com.

Šema održavanja

Intervali održavanja su izračunati na osnovu svakodnevnog korišćenja proizvoda. Intervali se menjaju ako se proizvod ne koristi svakodnevno.

Za održavanja obeležena znakom *, pogledajte uputstva u *Bezbednosni uređaji na proizvodu na stranici 336*.

Održavanje	Dnevno	Nedeljno	Mesečno
Izvršite generalni pregled	X		
Proverite nivo ulja	X		
Očistite proizvod	X		
Očistite filter za vazduh	X		
Pregledajte opremu za košenje	X		
Pregledajte poklopac košenja*	X		
Pregledajte ručicu kočnice motora*	X		
Pregledajte auspuh*		X	
Pregledajte svećicu		X	
Pregledajte ima li oštećenja na pogonskom remenu			X
Očistite kućište zupčanika			X
Za KLIPPO LB 448S, KLIPPO LB 453S. Zamenite ulje (prvi put posle 5 sati rada, a zatim na svakih 25 sati rada i jednom godišnje)			X
Za KLIPPO LB 448SQ, KLIPPO LB 453SQ, KLIPPO LB 548SQe. Zamenite ulje (prvi put posle 5 sati rada, a zatim na svakih 100 sati rada i jednom godišnje)			X
Zamenite filter za vazduh			X
Pregledajte sistem za gorivo			X
Pregledajte i podesite pogon (sajla kvačila)			X

Vršenje opšteg pregleda

- Uverite se da su sve navrtke i zavrtnji na proizvodu ispravno pritegnuti.

Čišćenje proizvoda spolja

- Uklonite lišće, travu i prljavštinu pomoću četke.
- Uverite se da ulaz vazduha na vrhu motora nije blokiran.
- Nemojte da koristite čistač pod visokim pritiskom za čišćenje proizvoda.

- Ako koristite vodu za čišćenje proizvoda, ne polivajte motor.

Čišćenje unutrašnje površine poklopca mehanizma za košenje

1. Stavite proizvod na bok tako da je auspuh dole.



OPREZ: Ako se proizvod spusti tako da je filter za vazduh dole, motor može da se ošteti.

- Isperite unutrašnju stranu poklopca mehanizma za košenje vodom iz creva.

Pregled pogonskog remena i čišćenje kućišta zupčanika

- Uklonite četiri zavrtnja na štitniku remena i uklonite ga. (Sl. 28)
- Pregledajte da pogonski remen i podizač remena nisu oštećeni.
- Četkom uklonite lišće, travu i prljavštinu iz kućišta zupčanika. (Sl. 29)

Zamena i podešavanje pogonskog remena

- Uklonite četiri zavrtnja na štitniku remena i uklonite ga. (Sl. 28)
- Postavite ravni odvijlač između ratkapne i točka na prednjem desnom točku proizvoda.
- Pažljivo okrenite odvijlač da biste uklonili ratkapnu.
- Uklonite vijak točka i skinite točak. (Sl. 30)
- Skinite pogonski remen sa podizača remena.
- Pobrinite se da se podizači remena lako kreću na osovinu.
- Po potrebi, isprskajte prodiruće ulje između i iza podizača remena i podmažite osovinu.
- Instalirajte novi pogonski remen i pravilno ga pričvrstite na kugličnom ležaju pre nego što podesite pogonski remen. (Sl. 31)
- Pomerite kuglični ležaj nagore ili nadole da biste podesili pogonski remen. (Sl. 32)

Napomena: Novi pogonski remen izdužuje se nakon upotrebe. Ponovo podesite pogonski remen nakon nekoliko sati rada.

- Postavite štitnik remena.
- Pokrenite proizvod da biste proverili da li je pogonski remen pravilno postavljen i podešen.

Zamena i podešavanje središnjeg remena

- Uklonite sečivo.

Napomena: Ovaj korak nije obavezan kada podešavate samo središnji remen.

- Olabavite vijke za podešavanje za nekoliko obrtaja, ali ih nemojte uklanjati. (Sl. 33)
- Zamenite središnji remen i umereno zategnite vijke za podešavanje.

Napomena: Ovaj korak nije obavezan kada podešavate samo središnji remen.

- Pomerite zupčanik unapred ili unazad da biste podesili središnji remen. (Sl. 34)
- Pomoću vage sa kukom ispitajte zategnutost središnjeg remena. Remen je pravilno zategnut kada može da se pomeri za 6 do 10 cm u sredini. To je jednako opterećenju od 3 kg. (Sl. 35)
- Pričvrstite vijke za podešavanje u potpunosti primenom momenta pritezanja od 3 Nm.
- Pokrenite proizvod da biste proverili da li je pogonski remen pravilno postavljen i podešen.

Pregled opreme za košenje



UPOZORENJE: Da biste sprečili neželjeno pokretanje, uklonite kabl za paljenje sa svećice.



UPOZORENJE: Nosite zaštitne rukavice kada vršite održavanje na opremi za košenje. Sečivo je veoma oštro i lako dolazi do posekوتا.

- Pregledajte opremu za košenje u pogledu oštećenja ili naprsina. Uvek zamenite oštećenu opremu za košenje.
- Pregledajte sečivo da biste videli je li oštećeno ili tupo.

Napomena: Nakon oštrenja sečiva potrebno ga je balansirati. Neka servisni centar naoštiri, zameni i balansira sečivo. Ako udarite o prepreku nakon čega se proizvod zaustavi, zamenite oštećeno sečivo. Neka servisni centar odredi da li sečivo može da se naoštiri ili mora da se zameni.

Zamena sečiva

- Blokirajte sečivo pomoću komada drveta. (Sl. 36)
- Uklonite vijak sečiva, opružnu podlošku i sečivo. (Sl. 37)
- Pregledajte da li su potpora sečiva i vijak sečiva oštećeni.
 - Ako zamenite sečivo ili potporu sečiva, zamenite i vijak sečiva, opružnu podlošku i podlošku za trenje.
- Pregledajte osovinu motora kako biste se uverili da nije savijena.
- Kada postavite novo sečivo, uverite se da su savijeni krajevi okrenuti u smeru poklopca mehanizma za košenja. (Sl. 38)
- Postavite podlošku za trenje i sečivo uz potporu sečiva. (Sl. 39)
- Pobrinite se da je sečivo poravnato sa sredinom osovine motora. (Sl. 40)
- Blokirajte sečivo pomoću komada drveta. (Sl. 41)

- Postavite opružnu podlošku i zategnite vijak na moment pritezanja od 80 Nm. (Sl. 42)
- Povucite sečivo rukom da biste proverili da li se slobodno okreće.



UPOZORENJE: Koristite zaštitne rukavice. Sečivo je veoma oštro i lako dolazi do posekotina.

- Pokrenite proizvod kako biste testirali sečivo. Ako sečivo nije ispravno postavljeno, pojaviće se vibriranje proizvoda ili rezultat košenja neće biti zadovoljavajući.

Provera nivoa ulja



OPREZ: Previše nizak nivo ulja može da ošteti motor. Proverite nivo ulja pre pokretanja proizvoda.

- Stavite proizvod na ravno tlo.
- Uklonite poklopac rezervoara za ulje sa šipkom za merenje.
- Obrišite ulje na šipki za merenje.
- Stavite šipku za merenje do kraja u rezervoar ulja. Zategnite poklopac rezervoara za ulje da biste tačno izmerili nivo ulja.
- Uklonite šipku za merenje.
- Očitajte nivo ulja na šipci za merenje.
- Ako je nivo ulja nizak, dospite motorno ulje i ponovo proverite nivo.

(Sl. 43)

Napomena: Koristite levak da biste sprečili prosipanje.

Zamena motornog ulja



UPOZORENJE: Motorno ulje je vrelo neposredno nakon zaustavljanja motora. Pustite da se motor ohladi pre odlivanja motornog ulja. Ako prospete motorno ulje na kožu, sperite ga sa tela sapunom i vodom.

(Sl. 44)

- Uklonite kabl za paljenje sa svećice.
- Uklonite poklopac rezervoara za ulje.
- Ispustite motorno ulje.
 - Za modele sa čepom za ispuštanje ulja: Stavite posudu za skupljanje ulja ispod čepa za ispuštanje ulja.

- Za modele bez čepa za ispuštanje ulja ili ako nije moguće staviti posudu ispod čepa za ispuštanje ulja: Koristite pumpu za ulje (dodatna oprema) da ispuštite motorno ulje iz rezervoara za ulje.

- Sipajte novo motorno ulje tipa preporučenog u *Tehnički podaci na stranici 344*.
- Proverite nivo ulja. Pogledajte *Provera nivoa ulja na stranici 342*.

Filter za vazduh

Napomena: Dugo korišćen filter za vazduh ne može da se potpuno očisti. Redovno menjajte filter za vazduh. Uvek zamenite oštećeni filter za vazduh.

Uklanjanje i postavljanje filtera za vazduh (KLIPPO LB 488SQ, KLIPPO LB 453SQ, KLIPPO LB 548Qe)



UPOZORENJE: Koristite zaštitne rukavice.

- Gurnite spojnice poklopca filtera za vazduh.
- Pažljivo skinite poklopac filtera za vazduh (A) sa motora.
- Uklonite filter za vazduh (B) i filter od pene (C). (Sl. 45)
- Proverite da li je filter za vazduh oštećen. Zamenite oštećeni filter za vazduh.
- Očistite i pregledajte filter za vazduh. Pogledajte *Čišćenje filtera za vazduh (KLIPPO LB 448SQ, KLIPPO LB 453SQ, KLIPPO LB 548Qe) na stranici 342*.
- Postavite obrnutim redosledom.

Čišćenje filtera za vazduh (KLIPPO LB 448SQ, KLIPPO LB 453SQ, KLIPPO LB 548Qe)



OPREZ: Ne koristite motor bez filtera za vazduh ili sa prljavim filterom za vazduh.



OPREZ: Zamenite filter za vazduh ako se ne očisti u potpunosti ili ako je oštećen. Oštećeni filter za vazduh uzrokuje oštećenje motora.

- Gurnite jezičke za zavravljanje (A), uklonite poklopac filtera za vazduh (B) i filter za vazduh (C). (Sl. 46)
- Udarite filter za vazduh o tvrdi površinu ili udvajte komprimovani vazduh kroz filter za vazduh sa čiste strane filtera.



OPREZ: Ne koristite četku za uklanjanje prljavštine, jer se tako prljavština gura u filter.

- Očistite držač filtera za vazduh (D) i poklopac filtera za vazduh vlažnom krpom.



OPREZ: Pobrinite se da prljavština ne ode u cev za vazduh (E).

- Postavite filter za vazduh. Uverite se da filter za vazduh do kraja naleže na držač filtera za vazduh.
- Stavite poklopac filtera za vazduh tako da donji jezičci idu prvi.

Čišćenje filtera za vazduh (KLIPPO LB 448S, KLIPPO LB 453S)



OPREZ: Ne koristite motor bez filtera za vazduh ili sa prljavim filterom za vazduh.



OPREZ: Zamenite filter za vazduh ako se ne očisti u potpunosti ili ako je oštećen. Oštećeni filter za vazduh uzrokuje oštećenje motora.

- Gurnite jezičke za završavanje (A), uklonite poklopac filtera za vazduh (B) i filter za vazduh (C). (Sl. 47)
- Udarite filter za vazduh o tvrdu površinu ili uduvajte komprimovani vazduh kroz filter za vazduh sa čiste strane filtera.



OPREZ: Ne koristite četku za uklanjanje prljavštine, jer se tako prljavština gura u filter.

- Očistite držač filtera za vazduh (D) i poklopac filtera za vazduh vlažnom krpom.



OPREZ: Pobrinite se da prljavština ne ode u cev za vazduh (E).

- Postavite filter za vazduh. Uverite se da filter za vazduh do kraja naleže na držač filtera za vazduh.
- Stavite poklopac filtera za vazduh tako da donji jezičci idu prvi.

Pregled svećice



OPREZ: Uvek koristite preporučeni tip svećice. Neodgovarajući tip svećice može da ošteti proizvod.

- Pregledajte svećicu ako je snaga motora mala, ako se teško pokreće ili nepravilno radi u praznom hodu.
- Da biste smanjili rizik od nakupljanja neželjenog materijala na elektrodama svećice, poštujujte sledeća uputstva:
 - Uverite se da je broj obrtaja na praznom hodu pravilno podešen.
 - Uverite se da je mešavina dobro napravljena.
 - Uverite se da je filter za vazduh čist.
- Ako je svećica prljava, očistite je i ujedno proverite da li je razmak između elektroda tačan, pogledajte *Tehnički podaci na stranici 344*. (Sl. 48)
- Zamenite svećicu ako je potrebno.

Pregled sistema za gorivo

- Pogledajte da li su poklopac rezervoara za gorivo i njegova zaptivka oštećeni.
- Pogledajte da li crevo za gorivo curi. Ako je crevo za gorivo oštećeno, neka ga serviser zameni.

Podešavanje sajle kvačila

Ako vam se čini da pogon sporo radi, podešite sajlu kvačila.

- Okrenite vijak za podešavanje. (Sl. 49)

Sajla kvačila pravilno je podešena kada je držač sajle kvačila poravnat sa navrtkom.

(Sl. 50)

Transport, skladištenje i odlaganje

Transport i skladištenje

- Uverite se da pri skladištenju i transportu proizvoda i goriva nema isparavanja i curenja iz proizvoda. Varnice i otvoren plamen, na primer iz električnih uređaja i bojlera, može da zapali požar.
- Uvek koristite odobrene kanistere za čuvanje i transport goriva.
- Ispraznite rezervoar za gorivo pre dužeg skladištenja proizvoda. Gorivo odbacujte na odgovarajućoj lokaciji za odbacivanje

- Da biste sprečili nezgode i oštećenja, dobro fiksirajte proizvod prilikom transporta.
- Čuvajte proizvod u zaključanoj prostoriji da biste sprečili neodobren pristup deci i drugim osobama.
- Čuvajte proizvod na suvom mestu bez mraza.

Odlaganje

- Pratite lokalne zakone i propise o reciklaži.

- Sve hemikalije, kao što su motorno ulje i gorivo, odbacujte u servisnom centru ili na odgovarajućem mestu za odbacivanje.

- Kad rashodujete proizvod, pošaljite ga Husqvarna prodavcu ili ga odnesite na odgovarajuće mesto za reciklažu.

Tehnički podaci

Tehnički podaci

	KLIPPO LB 448S	KLIPPO LB 448SQ	KLIPPO LB 453S	KLIPPO LB 453SQ	KLIPPO LB 548SQe
Motor					
Marka	Honda	Husqvarna	Honda	Husqvarna	Husqvarna
Model	GCVX-145	HS 166AP	GCVx-170	HS 166AP	HS 166AP
Tip motora	Jedan cilindar, 4-taktni, aktivno vazdušno hlađenje, OHV	Jedan cilindar, 4-taktni, aktivno vazdušno hlađenje, OHV	Jedan cilindar, 4-taktni, aktivno vazdušno hlađenje, OHV	Jedan cilindar, 4-taktni, aktivno vazdušno hlađenje, OHV	Jedan cilindar, 4-taktni, aktivno vazdušno hlađenje, OHV
Zapremina cilindra, cm ³	145	166	166	166	166
Brzina, o/min	2900	2900	2900	2900	2900
Nominalna izlazna snaga motora, kW ¹²¹	2,7	2,75	3,3	2,75	2,75
Sistem paljenja					
Svećica	NGK BPR5ES	Husqvarna HQT-7	NGK BPR5ES	Husqvarna HQT-7	Husqvarna HQT-7
Zazor elektroda, mm	0,7–0,8	0,7-0,8	0,7–0,8	0,7-0,8	0,7-0,8
Sistem za gorivo i podmazivanje					
Tip podmazivanja motora	Prskanje	Prskanje	Prskanje	Prskanje	Prskanje
Kapacitet rezervoara za gorivo, litri	0,9	1,5	0,9	1,5	1,5
Kapacitet rezervoara za ulje, litri	0,5	0,5	0,55	0,5	0,5
Motorno ulje ¹²²	Husqvarna SAE 30	Husqvarna SAE 30	Husqvarna SAE 30/SAE 10W-30	Husqvarna SAE 30/SAE 10W-30	Husqvarna SAE 30/SAE 10W-30
Težina					
Sa praznim rezervoarima, kg	30,5	32,5	33.	33,5	34,5

¹²¹ Naznačena snaga motora je prosečna neto izlazna snaga (pri navedenim obrtajima u minutu) tipičnog proizvodnog motora za model motora izmerena prema SAE standardu J1349/ISO1585. Vrednost motora iz masovne proizvodnje može da se razlikuje. Stvarna izlazna snaga postavljenog motora na proizvodu će zavisići od radne brzine, uslova u okruženju i drugih vrednosti.

¹²² Ako se ulje SAE-30 koristi na temperaturama nižim od +5 °C, postoji opasnost da se motor ne podmazuje dovoljno. Tako može da dođe do oštećenja motora. Pogledajte *Zamena motornog ulja na stranici 342* za odgovarajući tip ulja za niske temperature.

	KLIPPO LB 448S	KLIPPO LB 448SQ	KLIPPO LB 453S	KLIPPO LB 453SQ	KLIPPO LB 548SQe
Emisija buke ¹²³					
Nivo zvučne snage, mereno dB (A)	90	93	91	94	92
Nivo zvučne snage, garantovano L _{WA} dB (A)	91	93	94	95	93
Nivoi zvuka ¹²⁴					
Nivo zvučnog pritiska na uho rukovaoca, dB (A)	77	79	78	81	79
Nivo vibracija, a_{hveq} ¹²⁵					
Ručka, m/s ²	4,5	4,2	5,3	6,4	4,0
Oprema za košenje					
Visina košenja, mm	30–60	30–60	30–60	30–60	30–60
Širina košenja, mm	480	480	530	530	480
Nož	Malčiranje – 48 cm	Malčiranje – 48 cm	Malčiranje – 53 cm	Malčiranje – 53 cm	Malčiranje – 48 cm
	5028813-10	5028813-10	5028814-10	5028814-10	5028813-10
Pogon					
Brzina, km/h	4,5	4,5	4,5	4,5	4,5

¹²³ Emisije buke u životnoj sredini merene kao zvučna snaga (L_{WA}) u skladu sa direktivom 2000/14/EZ.

¹²⁴ Nivo pritiska buke prema ISO 5395. Prijavljeni podaci za nivo zvučnog pritiska imaju tipičnu statističku disperziju (standardna devijacija) od 1,2 dB (A).

¹²⁵ Nivo vibracija prema ISO 5395. Podaci o nivou vibracije imaju tipičnu statističku disperziju (standardnu devijaciju) od 0,2 m/s².

Deklaracija o usaglašenosti

EU Deklaracija o usaglašenosti

Mi, **Husqvarna AB**, SE-561 82 Huskvarna, Švedska, tel:
+46-36-146500, izjavljujemo pod punom odgovornošću
da je proizvod:

Opis	Kosačica za travu
Marka	Husqvarna
Tip/model	KLIPPO LB 448S, KLIPPO LB 453S, KLIPPO LB 448SQ, KLIPPO LB 453SQ, KLIPPO LB 548SQe
Identifikacija	Serijski brojevi od 2022 i nadalje

su u potpunosti usaglašeni sa sledećim EU direktivama i
propisima:

Direktiva/propis	Opis
2006/42/EZ	„koji se odnose na mašine“
2014/30/EU	„koji se odnose na elektromagnetsku kompatibilnost“
2000/14/EZ	„koji se odnose na emisiju buke u okruženju“
2011/65/EU	„koji se odnose na ograničenje upotrebe određenih opasnih supstanci u električnoj i elektronskoj opremi“

i da su sledeći standardi i/ili tehničke specifikacije
primenjeni: EN ISO 5395-1:2013/A1:2018, EN ISO
5395-2:2013/A1:2016/A2:2017, EN ISO 14982:2009, EN
IEC 63000:2018.

Ovlašćeno telo: 0404, RISE SMP Svensk
Maskinprovning AB, Box 4053, SE-904 03 Umeå,
Sweden, je sertifikovalo usaglašenost sa direktivom
veća 2000/14/EC, postupak za procenu usklađenosti:
Aneks VI.

Za informacije o emisiji buke pogledajte *Tehnički podaci*
na stranici 344.

Huskvarna, 2023-02-07



Claes Losdal, menadžer razvoja / baštenski proizvodi,
Husqvarna AB

Odgovoran za tehničku dokumentaciju



Innehåll

Introduktion.....	347	Underhåll.....	352
Säkerhet.....	348	Transport, förvaring och kassering.....	356
Montering.....	351	Tekniska data.....	356
Drift.....	351	Försäkran om överensstämmelse.....	359

Introduktion

Produktbeskrivning

Produkten är en rotorgräsklippare som styrs av en gående person och som använder BioClip® för att finfördela gräset till gödning.

Produktöversikt

(Fig. 1)

1. Handtag/styre
2. Motorbromsbygel
3. Körspak
4. Startsnörets handtag
5. Oljelock
6. Remkäpa
7. Ljuddämpare
8. Tändstift
9. Remkäpa
10. Bränsletank
11. Spak för vinkeljustering av handtaget
12. Avvibreringssystem
13. Kopplingsvajerjustering
14. Klipphöjdsspak
15. Bränsleventil
16. Luftfilter
17. Klippkäpa
18. Fjäderbricka
19. Knivbult
20. Blad
21. Knivstöd
22. Mulchingplugg KLIPPO LB 448S, KLIPPO LB 448SQ, KLIPPO LB 548SQe
23. Bruksanvisning

Symboler på produkten

- (Fig. 2) **WARNING!** Slarvigt eller felaktigt användande kan resultera i skador eller dödsfall för användaren eller andra.
- (Fig. 3) Läs igenom bruksanvisningen noggrant och se till att du förstår instruktionerna innan användning.
- (Fig. 4) Akta dig för utslungade föremål och rikoschetter.

Avsedd användning

Använd produkten för att klippa gräs. Använd inte produkten till andra uppgifter.

- (Fig. 5) Håll alltid människor och djur på säkert avstånd från arbetsområdet.
- (Fig. 6) Stäng av motorn och ta av tändkabeln före reparation eller underhåll.
- (Fig. 7) Varning! Håll händer och fötter borta från roterande delar.
- (Fig. 8) Varning! Håll händer och fötter borta från den roterande kniven.
- (Fig. 9) Produkten överensstämmer med gällande EG-direktiv.
- (Fig. 10) Produkten överensstämmer med gällande brittiska direktiv.
- (Fig. 11) Produkten överensstämmer med gällande direktiv från Eurasiska tullunionen. Gäller endast för KLIPPO LB 448S & KLIPPO LB 453S.
- (Fig. 12) Miljömärkning för bulleremission enligt direktiv och bestämmelser för EU och Storbritannien samt New South Wales-lagen "Protection of the Environment Operations (Noise Control) Regulation 2017". Produktens garanterade ljudeffektivitet anges i *Tekniska data på sida 356* och på etiketten.
- (Fig. 13) Kod som kan skannas.

Notera: Andra symboler/dekaler på produkten hänvisar till marknads specifika juridiska krav.

Dekal på produkten, endast för Australien och Nya Zeeland

(Fig. 14)

Håll händer och fötter borta från den roterande kniven.

Euro V-utsläpp



WARNING: Manipulering av motorn upphäver EG-typgodkännandet för den här produkten.

Säkerhet

Säkerhetsdefinitioner

Varningar, försiktighetsåtgärder och anmärkningar används för att betona speciellt viktiga delar i bruksanvisningen.



WARNING: Används om det finns risk för skador eller dödsfall för användaren eller kringstående om anvisningarna i bruksanvisningen inte följs.



OBSERVERA: Används om det finns risk för skada på produkten, annat material eller det angränsande området om anvisningarna i bruksanvisningen inte följs.

Notera: Används för att ge mer information som är nödvändig i en viss situation.

Allmänna säkerhetsanvisningar



WARNING: Läs varningsinstruktionerna nedan innan du använder produkten.

- Denna produkt är farlig om den används på fel sätt, och om du inte är försiktig. Skada eller dödsfall kan inträffa om du inte följer säkerhetsinstruktionerna.
- Denna produkt alstrar ett elektromagnetiskt fält under drift. Detta fält kan under vissa omständigheter ge påverkan på aktiva eller passiva medicinska implantat. För att reducera risken för omständigheter som kan leda till allvarliga eller livshotande skador rekommenderar vi därför personer med implantat att rådgöra med läkare samt tillverkaren av det medicinska implantatet innan denna produkt används.
- Var alltid försiktig och använd sunt förnuft. Om du inte vet hur du ska använda produkten i en särskild situation ska du stanna den och tala med en Husqvarna-återförsäljare innan du fortsätter.

Produktsansvar

Enligt lagstiftningen för produktsansvar ansvarar vi inte för skador som vår produkt orsakar om:

- produkten repareras felaktigt
- produkten repareras med delar som inte kommer från tillverkaren eller inte har godkänts av tillverkaren
- produkten har ett tillbehör som inte kommer från tillverkaren eller inte har godkänts av tillverkaren
- produkten inte repareras vid ett godkänt servicecenter eller av en godkänd person.

- Tänk på att användaren kommer att hållas ansvarig för olyckor som involverar andra människor eller deras egendom.
- Håll produkten ren. Se till att du kan läsa skyltar och dekalering tydligt.
- Låt inte någon använda produkten om du inte är säker på att personen har läst och förstår innehållet i bruksanvisningen.
- Låt inte barn använda produkten.
- Håll barn borta från arbetsområdet. En vuxen person måste vara närvarande hela tiden.
- Låt inte en person utan kännedom om instruktionerna använda produkten.
- Övervaka alltid en person med nedsatt fysisk eller mental kapacitet som använder produkten. En vuxen person måste vara närvarande hela tiden.
- Använd aldrig produkten om du är trött, sjuk eller om du är påverkad av alkohol, droger eller läkemedel. Detta har en negativ inverkan på din syn, ditt omdöme och din kroppskontroll.
- Använd inte en produkt som har skador eller inte fungerar korrekt.
- Modifiera aldrig den här produkten och använd den inte om det är möjligt att den har blivit modifierad av andra.
- Ändra inte inställningen för motorns varvtalsreglering.

Säkerhet i arbetsområdet



WARNING: Läs varningsinstruktionerna nedan innan du använder produkten.

- Ta bort föremål som grenar, kvistar och stenar från arbetsområdet innan du använder produkten.
- Objekt som slår mot skärutrustningen kan slungas ut och orsaka skador på personer och föremål. Håll alltid människor och djur på säkert avstånd från produkten.
- Använd aldrig produkten i dåligt väder, som dimma, regn, hård vind, extrem kyla och risk för blixtnedslag. Det är ansträngande att använda produkten i dåligt

väder eller på fuktiga eller våta platser. Dåligt väder kan leda till farliga förhållanden, t.ex. hala ytor.

- Håll utkik efter personer, föremål och situationer som kan förhindra säker användning av produkten.
- Håll utkik efter hinder, som rötter, stenar, grenar, gropar och diken. Långt gräs kan dölja hinder.
- Det kan vara farligt att klippa gräs i slutningar. Använd inte produkten i terräng som lutar mer än 15°.
- Klipp tvärs över slutningar. Inte upp och ned.
- Var uppmärksam när du närmar dig dolda hörn och föremål som skymmer sikten.

Arbets säkerhet



VARNING: Läs varningsinstruktionerna nedan innan du använder produkten.

- Använd enbart den här produkten för att klippa gräsmattor. Det är inte tillåtet att använda den för andra uppgifter.
- Använd personlig skyddsutrustning. Se *Personlig skyddsutrustning på sida 349*.
- Se till att du vet hur man snabbt stoppar motorn i en nödsituation.
- Starta aldrig motorn i ett stängt utrymme eller nära brandfarliga material. Motoravgaserna är heta och kan medföra gnistor som kan orsaka brand.
- Använd inte produkten utan att kniven och alla kåpor är korrekt monterade. En felaktigt monterad kniv kan lossna och orsaka personskador.
- Se till att kniven inte slår emot föremål som stenar och rötter. Detta kan göra att kniven skadas och böja motoraxeln. En böjd axel orsakar kraftiga vibrationer och risken för att kniven lossnar blir mycket hög.
- Om kniven träffar ett föremål eller om det uppstår vibrationer ska du omedelbart stanna produkten. Koppla bort tändkabeln från tändstiftet. Kontrollera om det finns några skador på produkten. Reparera skadorna eller låt en behörig serviceverkstad utföra reparationen.
- Fäst aldrig motorbromsbygeln permanent på handtaget när motorn är igång.
- Ställ produkten på ett stabilt plant underlag och starta den. Se till att kniven inte vidrör marken eller andra föremål.
- Håll dig alltid bakom produkten när du använder den.
- Låt alla hjul stå på marken och håll båda händerna på handtaget när du använder produkten. Håll händer och fötter borta från de roterande knivarna.
- Luta inte produkten när motorn är igång.
- Var försiktig när du drar produkten bakåt.
- Lyft aldrig upp produkten när motorn är igång. Om du måste lyfta produkten ska du först stanna motorn och koppla bort tändkabeln från tändstiftet.
- Gå inte baklänges när du använder produkten.

- Stäng av motorn när du rör dig över områden utan gräs, t.ex. gångar av grus, sten och asfalt.
- Spring inte med produkten när motorn är igång. Gå alltid när du använder produkten.
- Stäng av motorn innan du ändrar klipphöjden. Gör aldrig justeringar med motorn igång.
- Lämna aldrig produkten utanför ditt synfält med motorn igång. Stäng av motorn och se till att skärutrustningen inte roterar.

Säkerhetsinstruktioner för drift

Personlig skyddsutrustning



VARNING: Läs varningsinstruktionerna nedan innan du använder produkten.

- Personlig skyddsutrustning kan inte eliminera skaderisken helt, men den reducerar effekten av en skada vid ett eventuellt olyckstillbud. Be din återförsäljare om hjälp med att välja rätt utrustning.
- Använd hörselskydd om ljudnivån är högre än 85 dB.
- Använd kraftiga halksäkra kängor eller skor. Använd inte öppna skor och var inte barfota.
- Använd tjockare långbyxor.
- Använd skyddshandskar vid behov, till exempel när du ansluter, undersöker eller rengör skärutrustningen.

Säkerhetsanordningar på produkten



VARNING: Läs varningsinstruktionerna nedan innan du använder produkten.

- Använd inte en produkt med säkerhetsanordningar som är skadade eller som inte fungerar korrekt.
- Kontrollera säkerhetsanordningarna regelbundet. Om säkerhetsanordningarna är skadade eller om de inte fungerar korrekt ska du kontakta en Husqvarna-serviceverkstad.
- Gör inga ändringar på säkerhetsanordningarna.

Kontrollera klippkåpan

Klippkåpan dämpar vibrationerna och minskar risken för skador orsakade av kniven.

- Undersök klippkåpan för att se till att där inte finns några skador, t.ex. sprickor.

Kontrollera remkåpan

Remkåpan minskar risken för skador och hindrar att en brusten drivrem skjuts ut.

- Se till att remkåpan inte har skador och att den är korrekt monterad. (Fig. 15)

Motorbromsbygel

Motorbromsbygeln stänger av motorn. När motorbromsbygeln släpps stannar motorn.

För att inspektera motorbromsen ska du starta motorn och sedan släppa motorbromsbygeln. Om motorn inte stannar inom tre sekunder ska du låta en godkänd Husqvarna-serviceverkstad justera motorbromsen.

(Fig. 16)

Kontrollera avvibreringssystemet



VARNING: Överexponering av vibrationer kan orsaka blodkärls- eller nervskador hos personer med dålig blodcirkulation. Uppsök läkare om du upplever symptom som kan relateras till överexponering av vibrationer. Exempel på sådana symptom är domningar, avsaknad av känsel, kittlingar, stickningar, smärta, avsaknad eller reducering av normal styrka, förändringar i hudens färg eller dess yta. Dessa symptom uppträder vanligtvis i fingrar, händer eller handleder.

Avvibreringssystemet minskar vibrationerna i handtaget under användning.

Stålröret i styret och klippkåpan minskar vibrationerna. KLIPPO LB 548SQe har dessutom fyra avvibreringselement på styret.

- Inspektera styret och avvibreringselementen för att se till att det inte finns några skador. (Fig. 17)

Knivstöd

Knivstödet minskar risken för att motoraxeln böjs. Om kniven träffar ett föremål rör sig kniven mot knivstödet. Rörelsen orsakar slitage på knivstödet yta. Slitaget visar att skyddet av motoraxeln fungerar på rätt sätt.

Ljuddämpare

Ljuddämparen håller ljudnivån till ett minimum och leder bort motorns avgaser från användaren.

Använd inte produkten utan ljuddämpare eller med en skadad ljuddämpare. En defekt ljuddämpare ökar ljudnivån och brandrisken.



VARNING: Ljuddämparen blir mycket varm under och efter användning samt när motorn går på tomgång. Var försiktig nära brandfarliga material och/eller ångor för att förhindra brand.

Kontrollera ljuddämparen

- Undersök ljuddämparen regelbundet för att se till att den är korrekt monterad och inte skadad.

Bränslesäkerhet



VARNING: Läs varningsinstruktionerna nedan innan du använder produkten.

- Starta inte produkten om det finns bränsle eller motorolja på produkten. Ta bort det oönskade bränslet/oljan och låt produkten torka.
- Om du spillt bränsle på kläderna skall dessa bytas omedelbart.
- Se till att inte få bränsle på kroppen, det kan orsaka personskador. Om du får bränsle på kroppen ska du använda tvål och vatten för att ta bort bränslet.
- Starta inte produkten om motorn har en läcka. Undersök regelbundet om motorn läcker.
- Var försiktig med bränsle. Bränsle är brandfarligt och ångorna är explosiva och kan orsaka skador eller dödsfall.
- Undvik att andas in bränsleångor då det kan orsaka personskador. Se till att det finns tillräckligt luftflöde.
- Rök inte i närheten av bränslet eller motorn.
- Placera inga varma föremål i närheten av bränslet eller motorn.
- Fyll inte på bränsle när motorn är på.
- Se till att motorn har svalnat innan du fyller på bränsle.
- Innan du fyller på bränsle bör du öppna bränsletanklocket långsamt och försiktigt släppa på trycket.
- Fyll inte på bränsle i motorn inomhus. Otillräckligt luftflöde kan orsaka skador eller dödsfall på grund av kvävning eller kolmonoxidförgiftning.
- Dra åt bränsletanklocket ordentligt. Om bränsletanklocket inte dras åt ordentligt finns det en risk för brand.
- Flytta produkten minst 3 m från den plats där du fyllde på tanken innan du startar den.
- Fyll inte upp tanken helt. Värme gör att bränslet expanderar. Lämna lite plats längst upp på tanken.

Säkerhetsinstruktioner för underhåll



VARNING: Läs varningsinstruktionerna nedan innan du använder produkten.

- Motorns avgaser innehåller kolmonoxid, en luktlös, giftig och mycket farlig gas. Starta inte motorn inomhus eller i slutna utrymmen.
- Innan du utför underhåll på produkten ska du stänga av motorn och ta bort tändkabeln från tändstiftet.
- Använd skyddshandskar när du utför underhåll på skärutrustningen. Kniven är mycket vass och skärskador uppstår lätt.
- Tillbehör och ändringar av produkten som inte godkänts av tillverkaren kan orsaka allvariga skador

- eller dödsfall. Modifiera inte produkten. Använd endast tillbehör som godkänts av tillverkaren.
- Om underhåll inte utförs korrekt och regelbundet ökar risken för personskador och skador på produkten.
 - Utför endast underhåll enligt anvisningarna i den här bruksanvisningen. All annan service måste utföras av en godkänd Husqvarna-serviceverkstad.

- Låt en godkänd Husqvarna-serviceverkstad utföra service på produkten regelbundet.
- Byt ut skadade, slitna och trasiga delar.

Montering

Introduktion



VARNING: Innan du monterar produkten måste du läsa igenom och förstå kapitlet om säkerhet.



VARNING: Avlägsna tändstiftskabeln från tändstiftet innan du monterar produkten.

Montera och justera handtaget

1. Ta bort handtagsmuttern och brickan från plattan på det övre handtaget.
2. Placera det övre handtaget i rätt läge på det undre handtaget.



OBSERVERA: Se till att ledningarna inte kläms eller skadas.

3. Fäst brickan och handtagsmuttern. (Fig. 18)
4. Vrid handtaget till sidan för en bättre position när du använder produkten nära en vägg. (Fig. 19)
5. Vrid justeringshjulen på chassit för att justera handtaget vertikalt. (Fig. 20)

Montera mulchingpluggen (KLIPPO LB 448S, KLIPPO LB 448SQ, KLIPPO LB 548SQe)

1. Luta produkten bakåt med tändstiftet uppåt.
2. Sätt mulchingpluggens stift i hålen från insidan av klippkåpan. (Fig. 21)
3. Skruva i skruvarna till mulchingpluggen från utsidan av klippkåpan. (Fig. 22)

Drift

Introduktion



VARNING: Innan du använder produkten måste du läsa igenom och förstå kapitlet om säkerhet.

Husqvarna Connect

Husqvarna Connect är en kostnadsfri app för mobila enheter. Husqvarna Connect-appen utökar funktionerna för Husqvarna-produkten:

- Mer produktinformation.
- Information om, och hjälp med, produktdelar och service.

Börja använda Husqvarna Connect

1. Hämta Husqvarna Connect-appen på din mobila enhet.
2. Utför registreringen i Husqvarna Connect-appen.
3. Följ instruktionerna i Husqvarna Connect-appen för att ansluta och registrera produkten.

Innan du använder produkten

1. Läs igenom bruksanvisningen noggrant och se till att du förstår instruktionerna.
2. Undersök skärutrustningen för att se till att den är korrekt monterad och justerad. Se *Kontrollera skärutrustningen på sida 354*.
3. Fyll bränsletanken. Se *Fylla på bränsle på sida 351*.
4. Fyll oljetanken och kontrollera oljenivån. Se *Kontrollera oljenivån på sida 354*.

Fylla på bränsle

Använd miljöanpassad bensin/alkylatbensin om det finns. Om miljöanpassad bensin/alkylatbensin inte finns tillgänglig ska du använda blyfri bensin eller blyad bensin av hög kvalitet med ett oktantal på minst 90.



OBSERVERA: Använd inte bensin med ett oktantal lägre än 90 RON (87 AKI). Det kan orsaka skador på produkten.

1. Öppna tanklocket långsamt för att släppa på trycket.

- Fyll på långsamt med en bränsledunk. Om du spiller bränsle ska du ta bort det med en trasa och låta bensenresterna avdunsta. (Fig. 23)
- Torka rent runt bränsletanklocket.
- Dra åt bränsletanklocket ordentligt. Om bränsletanklocket inte dras åt ordentligt finns det en risk för brand.
- Flytta produkten minst tre meter från den plats där du fyllde på tanken innan du startar den.

Ställa in klipphöjden

Klipphöjden kan justeras i sex nivåer.

- Flytta klipphöjdsspaken framåt för att höja klipphöjden.
- Flytta klipphöjdsspaken bakåt för att sänka klipphöjden.



OBSERVERA: Ställ inte in för låg klipphöjd. Knivarna kan träffa marken om gräsmattans yta inte är plan.

Starta produkten

- Se till att tändkabeln är ansluten till tändstiftet.
- Öppna bränslekranen. (Fig. 24)
- Stå bakom produkten.
- Håll motorbromsbygeln mot handtaget. (Fig. 25)
- Håll i startsnörets handtag med höger hand.
- Dra långsamt i startsnöret tills du känner ett motstånd.
- Dra kraftigt för att starta motorn.



VARNING: Vira inte startsnöret runt handen.



OBSERVERA: Dra inte ut startsnöret helt. Släpp inte startsnörets handtag när startsnöret är utdraget.

Använda drivningen på hjulen ()

- Tryck ner körspaken. (Fig. 26)
- Innan du drar produkten bakåt kopplar du ur drivningen och skjuter produkten framåt ca 10cm.
- Släpp motorbromsbygeln en liten bit för att koppla ur drivningen, t.ex. när du går nära ett hinder.

Stänga av produkten

- För att bara stoppa drivningen ska du släppa motorbromsbygeln en liten bit.
- För att stänga av motorn ska du släppa motorbromsbygeln helt.
- Stäng bränslekranen. (Fig. 27)

Få ett bra resultat

- Använd alltid en vass kniv. En slö kniv ger ett ojämnt resultat och grässets snittyta blir gul. En vass kniv förbrukar mindre energi än en slö kniv.
- Klipp inte mer än en tredjedel av grässets längd. Klipp först med hög klipphöjd. Undersök resultatet och sänk klipphöjden till en lämplig nivå. Om gräset är väldigt långt kan du köra sakta och klippa två gånger vid behov.
- Klipp i olika riktningar varje gång för att undvika ränder i gräsmattan.
- Håll klippkåpan ren. Ansamling av gräs och smuts på insidan av klippkåpan kan försämra klippresultatet. Se *Rengöra produkten utvändigt på sida 353*.

Underhåll

Introduktion



VARNING: Innan du utför underhåll måste du läsa och förstå kapitlet om säkerhet.

För allt service- och reparationsarbete på produkten krävs särskild utbildning. Vi garanterar att du kan få en fackmannamässig reparation och service utförd. Om din återförsäljare inte är en serviceverkstad kan du tala med dem för information om närmaste serviceverkstad.

Mer information finns här i www.husqvarna.com.

Underhållsschema

Underhållsintervallen beräknas utifrån daglig användning av produkten. Intervallen ändras om produkten inte används dagligen.

För underhåll som markeras med * ska du se anvisningarna i *Säkerhetsanordningar på produkten på sida 349*.

Underhåll	Dagligen	Varje vecka	Varje månad
Utför en allmän inspektion	X		

Underhåll	Dagligen	Varje vecka	Varje månad
Kontrollera oljenivån	X		
Rengör produkten	X		
Rengör luftfiltret	X		
Kontrollera skärutrustningen	X		
Kontrollera klippkåpan*	X		
Kontrollera motorbromsbygeln*	X		
Kontrollera ljuddämparen*		X	
Kontrollera tändstiftet		X	
Kontrollera om drivremmen har skador			X
Rengör växelhuset			X
För KLIPPO LB 448S, KLIPPO LB 453S. Byt ut oljan (första gången efter fem timmars användning, sedan efter var 25:e timmes användning och varje år)			X
För KLIPPO LB 448SQ, KLIPPO LB 453SQ, KLIPPO LB 548SQe. Byt ut oljan (första gången efter fem timmars användning, sedan efter var 100:e timmes användning och varje år)			X
Byt luftfilter			X
Kontrollera bränslesystemet			X
Kontrollera och justera drivningen (kopplingsvajer)			X

Allmän inspektion

- Se till att alla skruvar och muttrar på produkten är korrekt åtdragna.

Rengöra produkten utvändigt

- Använd en borste för att ta bort löv, gräs och smuts.
- Kontrollera att luftintaget på motorns ovansida inte är igentäppt.
- Undvik att använda högtryckstvätt när du rengör maskinen.
- Om du använder vatten för att rengöra produkten ska du inte spola vatten direkt på motorn.

Rengöra insidan av klippkåpan

1. Placera produkten på sidan med ljuddämparen nedåt.



OBSERVERA: Om produkten placeras med luftfiltret nedåt kan motorn skadas.

2. Spola av klippkåpan insida med vatten.

Inspektera drivremmen och rengöra växelhuset

1. Ta bort de fyra skruvarna på remkåpan och lyft bort remkåpan. (Fig. 28)
2. Inspektera om drivremmen och remhjulet har skador.
3. Använd en borste för att ta bort löv, gräs och smuts från växelhuset. (Fig. 29)

Byta ut och ställa in drivremmen

1. Ta bort de fyra skruvarna på remkåpan och lyft bort remkåpan. (Fig. 28)
2. Sätt in en platt skruvmejsel mellan navkapseln och hjulet på produktens högra framhjul.
3. Vrid skruvmejseln försiktigt för att ta bort navkapseln.
4. Lossa hjulbulten och ta av hjulet. (Fig. 30)
5. Ta bort drivremmen från remhjulen.
6. Se till att remhjulen löper lätt på axeln.
7. Spraya vid behov rostlösare mellan och bakom remhjulen och smörj axeln.
8. Installera en ny drivrem och fäst den ordentligt i kullagret innan du justerar drivremmen. (Fig. 31)
9. Flytta kullagret uppåt eller nedåt för att justera drivremmen. (Fig. 32)

Notera: En ny drivrem blir längre efter användning. Justera drivremmen igen efter några timmars drift.

10. Montera remkåpan.
11. Använd produkten för att se till att drivremmen är rätt monterad och inställd.

Byta ut och ställa in mellanremmen

1. Tag bort kniven.

Notera: Det här steget är inte nödvändigt om du bara justerar mellanremmen.

2. Lossa justerskruvorna några varv, men ta inte bort dem. (Fig. 33)
3. Byt ut mellanremmen och dra åt justerskruvorna något.

Notera: Det här steget är inte nödvändigt om du bara justerar mellanremmen.

4. Flytta drevet framåt eller bakåt för att justera mellanremmen. (Fig. 34)
5. Använd en krokväg för att undersöka mellanremmens spänning. Remmen är korrekt spänd när den kan flyttas 6–10 mm i mitten. Det är lika med en dragkraft på 3 kg. (Fig. 35)
6. Dra åt justerskruvorna helt med ett moment på 3 Nm.
7. Använd produkten för att se till att drivremmen är rätt monterad och inställd.

Kontrollera skärutrustningen



WARNING: För att förhindra oavsiktlig start ska du ta bort tändkabeln från tändstiftet.



WARNING: Använd skyddshandskar när du utför underhåll på skärutrustningen. Kniven är mycket vass och skärskador uppstår lätt.

1. Kontrollera så att skärutrustningen inte är skadad eller har sprickor. Byt alltid ut skadad skärutrustning.
2. Titta på kniven för att se om den är skadad eller slö.

Notera: Kniven måste balanseras när den har slipats. Låt en serviceverkstad slipa, byta och balansera kniven. Om du träffar ett hinder som gör att produkten stannar ska du byta ut den skadade kniven. Låt serviceverkstaden bedöma om kniven kan slipas eller måste ersättas.

Byta knivar

1. Lås kniven med en träbit. (Fig. 36)
2. Ta bort knivbulten, fjäderbrickan och kniven. (Fig. 37)
3. Kontrollera om knivstödet och knivbulten har skador.
 - a) Om du byter ut kniven eller knivstödet ska du också byta ut knivbulten, fjäderbrickan och friktionsbrickan.
4. Kontrollera motoraxeln för att se till att den inte är böjd.
5. När du monterar den nya kniven ska du rikta knivens böjda ändar mot klippkåpan. (Fig. 38)
6. Lägg friktionsbrickan och kniven mot knivstödet. (Fig. 39)
7. Se till att kniven är i linje med motoraxelns mitt. (Fig. 40)
8. Lås kniven med en träbit. (Fig. 41)
9. Montera fjäderbrickan och dra åt bulten med ett vridmoment på 80 Nm. (Fig. 42)
10. Dra runt kniven för hand och se till att den roterar fritt.



WARNING: Använd skyddshandskar. Kniven är mycket vass och skärskador uppstår lätt.

11. Starta produkten för att testa kniven. Om kniven inte är korrekt monterad känner du vibrationer i produkten eller så är klippresultat otillfredsställande.

Kontrollera oljenivån



OBSERVERA: För låg oljenivå kan orsaka allvarliga motorskador. Kontrollera oljenivån innan du startar produkten.

1. Ställ produkten på plan mark.
2. Ta bort oljetanklocket med mätsticken.
3. Torka av oljan från mätsticken.
4. Sätt tillbaka mätsticken helt i oljetanken. Dra åt oljetankens lock för att säkerställa att oljenivån visas korrekt.
5. Ta bort mätsticken.
6. Kontrollera oljenivån på mätsticken.
7. Om oljenivån är låg ska du fylla på med motorolja och kontrollera oljenivån igen.

(Fig. 43)

Notera: Använd en tratt för att förhindra spill.

Byta motorolja



VARNING: Motorolja är mycket het direkt efter att motorn stoppats. Låt motorn svalna innan du tappar ur motoroljan. Om du spiller olja på huden måste du rengöra med tvål och vatten.

(Fig. 44)

1. Ta bort tändkabeln från tändstiftet.
2. Ta bort oljetanklocket.
3. Tappa ur motoroljan.
 - a) För modeller med avtappningsplugg: Ställ en behållare under avtappningspluggen att samlar upp motoroljan i.
 - b) För modeller utan avtappningsplugg eller om det inte går att placera en behållare under avtappningspluggen: Använd en oljepump (tillbehör) för att tappa ur motoroljan från oljetanken.
4. Fyll på ny motorolja av den typ som rekommenderas i *Tekniska data* på sida 356.
5. Kontrollera oljenivån. Se *Kontrollera oljenivån* på sida 354.

Lufffilter

Notera: Ett länge använt lufffilter kan aldrig bli fullständigt rent. Byt lufffiltret regelbundet. Byt alltid ut ett skadat lufffilter.

Ta bort och installera lufffiltret (KLIPPO LB 488SQ, KLIPPO LB 453SQ, KLIPPO LB 548Qe)



VARNING: Använd skyddshandskar.

1. Tryck på klämmorna på lufffilterkåpan.
2. Ta försiktigt bort lufffilterkåpan (A) från motorn.
3. Ta bort lufffiltret (B) och skumfiltret (C). (Fig. 45)
4. Undersök om lufffiltret är skadat. Byt lufffiltret om det är skadat.
5. Rengör och undersök lufffiltret. Se *Rengöra lufffiltret (KLIPPO LB 448SQ, KLIPPO LB 453SQ, KLIPPO LB 548Qe)* på sida 355.
6. Installera i omvänd ordningsföljd.

Rengöra lufffiltret (KLIPPO LB 448SQ, KLIPPO LB 453SQ, KLIPPO LB 548Qe)



OBSERVERA: Kör aldrig motorn utan monterat lufffilter eller om lufffiltret är smutsigt.



OBSERVERA: Byt lufffiltret om det inte blir helt rent eller om det är skadat. Ett skadat lufffilter leder till skador på motorn.

1. Tryck på spärrflikarna (A), ta bort lufffilterkåpan (B) och ta bort lufffiltret (C). (Fig. 46)
2. Slå lufffiltret mot en hård yta eller blås tryckluft genom lufffiltret från den rena sidan av lufffiltret.



OBSERVERA: Använd inte en borste för att ta bort smuts eftersom smutsen då trycks in i lufffiltret.

3. Rengör lufffilterhållaren (D) och lufffilterkåpan lock med en fuktig trasa.



OBSERVERA: Se till att ingen smuts kommer in i luffkanalen (E).

4. Installera lufffiltret. Se till att lufffiltret ligger helt tätt mot lufffilterhållaren.
5. Installera lufffilterkåpan med de nedre flikarna först.

Rengöra lufffiltret (KLIPPO LB 448S, KLIPPO LB 453S)



OBSERVERA: Kör aldrig motorn utan monterat lufffilter eller om lufffiltret är smutsigt.



OBSERVERA: Byt lufffiltret om det inte blir helt rent eller om det är skadat. Ett skadat lufffilter leder till skador på motorn.

1. Tryck på spärrflikarna (A), ta bort lufffilterkåpan (B) och ta bort lufffiltret (C). (Fig. 47)
2. Slå lufffiltret mot en hård yta eller blås tryckluft genom lufffiltret från den rena sidan av lufffiltret.



OBSERVERA: Använd inte en borste för att ta bort smuts eftersom smutsen då trycks in i lufffiltret.

3. Rengör lufffilterhållaren (D) och lufffilterkåpan lock med en fuktig trasa.



OBSERVERA: Se till att ingen smuts kommer in i luffkanalen (E).

4. Installera lufffiltret. Se till att lufffiltret ligger helt tätt mot lufffilterhållaren.
5. Installera lufffilterkåpan med de nedre flikarna först.

Så undersöker du tändstiftet



OBSERVERA: Använd alltid rekommenderad tändstiftstyp. Fel typ av tändstift kan orsaka skador på produkten.

- Undersök tändstiftet om motorn har låg effekt, är svår att starta eller inte fungerar korrekt vid tomgångsvarvtal.
- Följ dessa instruktioner om du vill minska risken för oönskat material på tändstiftets elektroder:
 - a) Se till att tomgångsvarvtalet är korrekt justerat.
 - b) Se till att bränsleblandningen är korrekt.
 - c) Se till att luftfiltret är rent.
- Om tändstiftet är smutsigt rengör du det och ser till att elektrodavståndet är korrekt, se *Tekniska data på sida 356*. (Fig. 48)
- Byt ut tändstiftet vid behov.

Kontrollera bränslesystemet

- Kontrollera bränsletanklocket och tätningen till bränsletanklocket för att se till att det inte finns några skador.
- Kontrollera bränsleslangen för att se till att inget läckage förekommer. Om bränsleslangen är skadad ska du låta en serviceverkstad byta ut den.

Justera kopplingsvajern

Om drivningen känns långsam måste kopplingsvajern justeras.

- Vrid justerskruven. (Fig. 49)

Kopplingsvajern är korrekt justerad när kopplingsvajerns hållare är i linje med muttern.

(Fig. 50)

Transport, förvaring och kassering

Transport och förvaring

- Vid förvaring och transport av produkten och bränslet ska du se till att det inte förekommer något läckage eller avgaser. Gnistor eller öppen eld, t.ex. från elektriska apparater eller pannor, kan orsaka brand.
- Använd alltid godkända behållare för transport och förvaring av bränsle.
- Töm bränsletanken innan du placerar produkten för förvaring under en längre tid. Kassera bränslet på lämplig anvisad plats
- Fäst produkten ordentligt under transport för att förhindra skador och olyckor.

- Förvara produkten i ett låst utrymme för att förhindra åtkomst för barn eller personer som inte är behöriga.
- Förvara produkten på en torr och frostfri plats.

Kassering

- Följ lokala återvinningsbestämmelser och tillämpliga förordningar.
- Kassera alla kemikalier, som olja och bränsle, vid en serviceverkstad eller på lämplig anvisad plats.
- När produkten inte längre används ska du skicka den till en Husqvarna-återförsäljare eller lämna den till en återvinningsstation.

Tekniska data

Tekniska data

	KLIPPO LB 448S	KLIPPO LB 448SQ	KLIPPO LB 453S	KLIPPO LB 453SQ	KLIPPO LB 548SQe
Motor					
Varumärke	Honda	Husqvarna	Honda	Husqvarna	Husqvarna
Modell	GCVX-145	HS 166AP	GCVx-170	HS 166AP	HS 166AP
Motortyp	Encylindrig, fyrtakt, forcerad luftkylning, OHV	Encylindrig, fyrtakt, forcerad luftkylning, OHV	Encylindrig, fyrtakt, forcerad luftkylning, OHV	Encylindrig, fyrtakt, forcerad luftkylning, OHV	Encylindrig, fyrtakt, forcerad luftkylning, OHV
Slagvolym, cm ³	145	166	166	166	166
Varvtal, varv/min	2900	2900	2900	2900	2900

	KLIPPO LB 448S	KLIPPO LB 448SQ	KLIPPO LB 453S	KLIPPO LB 453SQ	KLIPPO LB 548SQe
Nominell motoreffekt, kW ¹²⁶	2,7	2,75	3,3	2,75	2,75
Tändsystem					
Tändstift	NGK BPR5ES	Husqvarna HQT-7	NGK BPR5ES	Husqvarna HQT-7	Husqvarna HQT-7
Elektroavstånd, mm	0,7–0,8	0,7–0,8	0,7–0,8	0,7–0,8	0,7–0,8
Bränsle- och smörjsystem					
Typ av motorsmörjning	Splash	Splash	Splash	Splash	Splash
Volym bensintank, liter	0,9	1,5	0,9	1,5	1,5
Volym oljetank, liter	0,5	0,5	0,55	0,5	0,5
Motorolja ¹²⁷	Husqvarna SAE 30	Husqvarna SAE 30	Husqvarna SAE 30/SAE 10W-30	Husqvarna SAE 30/SAE 10W-30	Husqvarna SAE 30/SAE 10W-30
Vikt					
Med tomma tankar, kg	30,5	32,5	33	33,5	34,5
Bulleremission ¹²⁸					
Ljudeffektnivå, uppmätt dB(A)	90	93	91	94	92
Ljudeffektnivå, garanterad L _{WA} dB(A)	91	93	94	95	93
Ljudnivåer ¹²⁹					
Ljudtrycksnivå vid användarens öra, dB(A)	77	79	78	81	79
Vibrationsnivåer, a_{hveg} ¹³⁰					
Handtag, m/s ²	4,5	4,2	5,3	6,4	4,0
Skärutrustning					
Klipphöjd, mm	30–60	30–60	30–60	30–60	30–60
Klippbredd, mm	480	480	530	530	480
Blad	Mulch – 48 cm 5028813-10	Mulch – 48 cm 5028813-10	Mulch – 53 cm 5028814-10	Mulch – 53 cm 5028814-10	Mulch – 48 cm 5028813-10
Drivning					

¹²⁶ Motorns angivna märkeffekt är medelvärde för nettoeffekten (vid det specificerade varvtalet) hos en typisk produktionsmotor för den motormodell som mätts enligt SAE-standard J1349/ISO1585. Massproducerade motorer kan avvika från detta värde. Den faktiska uteffekten hos den motor som är installerad i slutprodukten kommer att bero på driftshastigheten, omgivningens egenskaper och andra faktorer.

¹²⁷ Om SAE-30-olja används vid lägre temperatur än 5 °C är det risk att motorn inte smörjs tillräckligt. Detta kan skada motorn. Se *Byta motorolja på sida 355* för information om rätt olja vid låga temperaturer.

¹²⁸ Bulleremission till omgivningen uppmätt som ljudeffekt (L_{WA}) enligt EG-direktiv 2000/14/EG.

¹²⁹ Ljudtrycksnivå enligt ISO 5395. Redovisade data för ljudtrycksnivå har ett typiskt spridningsmått (standardavvikelse) på 1,2 dB (A).

¹³⁰ Vibrationsnivå enligt ISO 5395. Rapporterade data för vibrationsnivå har en typisk statistisk spridning (standardavvikelse) på 0,2 m/s².

	KLIPPO LB 448S	KLIPPO LB 448SQ	KLIPPO LB 453S	KLIPPO LB 453SQ	KLIPPO LB 548SQe
Hastighet, km/h	4,5	4,5	4,5	4,5	4,5

Försäkran om överensstämmelse

EU-försäkran om överensstämmelse

Vi, **Husqvarna AB**, 561 82 Huskvarna, Sverige, tel:
+46-36-146500, försäkrar på eget ansvar att produkten:

Beskrivning	Gräsklippare
Varumärke	Husqvarna
Typ/Modell	KLIPPO LB 448S, KLIPPO LB 453S, KLIPPO LB 448SQ, KLIPPO LB 453SQ, KLIPPO LB 548SQe
Identifiering	Serienummer daterade 2022 och framåt

uppfyller alla krav i följande EU-direktiv och förordningar:

Direktiv/förordning	Beskrivning
2006/42/EG	"om maskiner"
2014/30/EU	"angående elektromagnetisk kompatibilitet"
2000/14/EC	"angående emission av buller till omgivningen"
2011/65/EU	"angående begränsning av användning av vissa farliga ämnen i elektrisk och elektronisk utrustning"

och att följande standarder och/eller tekniska specifikationer tillämpas: EN ISO 5395-1:2013/A1:2018, EN ISO 5395-2:2013/A1:2016/A2:2017, EN ISO 14982:2009, EN IEC 63000:2018.

Anmänt organ: 0404, RISE SMP Svensk Maskinprovning AB, Box 4053, SE-904 03 Umeå, Sweden. har intygat överensstämmelse med rådets direktiv 2000/14/EG, procedur för utvärdering av överensstämmelse: bilaga VI.

För information om bulleremissioner, se *Tekniska data på sida 356*.

Huskvarna, 2023-02-07



Claes Losdal, utvecklingschef/trädgårdsprodukter,
Husqvarna AB

Ansvarig för teknisk dokumentation



İçindekiler

Giriş.....	360	Bakım.....	365
Güvenlik.....	361	Taşıma, depolama ve atma.....	369
Montaj.....	364	Teknik veriler.....	369
Çalışma.....	364	Uyumluluk Bildirimi.....	372

Giriş

Ürün açıklaması

Ürün, çimleri gübre olacak şekilde kesmek için BioClip® kullanılan yaya kumandalı bir döner çim biçme makinesidir.

Ürüne genel bakış

(Şek. 1)

1. Tutma yeri/gidon
2. Motor fren kolu
3. Tahrik kolu
4. Çalıştırma ipi kolu
5. Yağ kapağı
6. Kayış koruyucusu
7. Susturucu
8. Buji
9. Kayış koruyucusu
10. Yakıt deposu
11. Tutma yeri açısının ayarı için kol
12. Titreşim azaltma sistemi
13. Kavrama kablosu ayarı
14. Kesim yüksekliği kolu
15. Yakıt valfi
16. Hava filtresi
17. Kesim kapağı
18. Yaylı rondela
19. Bıçak civatası
20. Bıçak
21. Bıçak desteği
22. Malç tapası KLIPPO LB 448S, KLIPPO LB 448SQ, KLIPPO LB 548SQe
23. Kullanım kılavuzu

Ürün üzerindeki semboller

(Şek. 2) UYARI: Dikkatsiz ya da yanlış kullanım, operatörün veya başkalarının yaralanmasına veya ölmesine neden olabilir.

(Şek. 3) Lütfen kullanım kılavuzunu dikkatle okuyun ve kullanımdan önce talimatları anladığınızdan emin olun.

Kullanım amacı

Ürünü çim biçmek için kullanın. Ürünü başka işler için kullanmayın.

(Şek. 4) Atılan nesnelere ve seken cisimlere dikkat edin.

(Şek. 5) İnsanları ve hayvanları çalışma alanından güvenli bir uzaklıkta tutun.

(Şek. 6) Onarım veya bakım işlemlerinden önce motoru durdurun ve ateşleme kablosunu çıkarın.

(Şek. 7) Uyarı: El ve ayaklarınızı döner parçalardan uzak tutun.

(Şek. 8) Uyarı: El ve ayaklarınızı döner bıçaktan uzak tutun.

(Şek. 9) Bu ürün yürürlükteki AT direktiflerine uygundur.

(Şek. 10) Bu ürün yürürlükteki Birleşik Krallık yönetmeliklerine uygundur.

(Şek. 11) Ürün, geçerli Avrasya Gümrük Birliği direktiflerine uygundur. Yalnızca KLIPPO LB 448S & KLIPPO LB 453S için geçerlidir.

(Şek. 12) AB ve BK direktifleri ile düzenlemeleri ve Yeni Güney Galler mevzuatı "Çevre Koruma Operasyonları (Gürültü Kontrolü) Yönetmeliği 2017" uyarınca çevreye yayılan gürültü emisyonu etiketi. Ürünün garantili ses gücü düzeyi *Teknik veriler sayfa: 369* bölümünde ve etiketin üstünde belirtilmektedir.

(Şek. 13) Taranabilir kod.

Not: Ürünün üzerindeki diğer semboller/etiketler, pazara özel yasal gerekliliklerle ilgilidir.

Ürün üzerindeki etiket, sadece Avustralya ve Yeni Zelanda için geçerlidir

(Şek. 14)

El ve ayaklarınızı döner bıçaktan uzak tutun.

Avrupa V Emisyonları



UYARI: Motorun kurcalanması bu ürünün AB tip onayını geçersiz kılar.

Ürün sorumluluğu

Ürün sorumluluğu yasalarında belirtildiği üzere;

- ürünün hatalı bir şekilde onarılması,
- ürünün, üretici tarafından onaylanmayan veya üreticiden alınmayan parçalarla tamir edilmesi,
- üründe, üreticiden alınmayan veya üretici tarafından onaylanmayan bir aksesuar bulunması,
- ve ürünün, onaylı bir servis merkezinde veya yetkili bir kurum tarafından tamir edilmemesi durumunda oluşabilecek hasarlardan sorumlu değildir.

Güvenlik

Güvenlik tanımları

Kılavuzdaki önemli kısımları vurgulamak için uyarılar ve notlar kullanılmıştır.



UYARI: Kılavuzdaki talimatlara uyulmadığı takdirde operatör veya çevredeki kişiler için ciddi yaralanma veya ölüm tehlikesi varsa kullanılır.



DİKKAT: Kılavuzdaki talimatlara uyulmadığı takdirde ürünün, diğer malzemelerin veya çevrenin zarar görme riski olduğunda kullanılır.

Not: Belirli bir durumda bilgi verilmesi gerektiğinde kullanılır.

Genel güvenlik talimatları



UYARI: Ürünü kullanmadan önce aşağıdaki uyarı talimatlarını okuyun.

- Bu ürün yanlış kullanıldığında veya dikkatli olmazsanız tehlikelidir. Güvenlik talimatlarına uyulmaması yaralanmalara veya ölüme yol açabilir.
- Bu ürün, çalışırken elektromanyetik bir alan oluşturur. Bu alan, bazı koşullarda aktif veya pasif tıbbi implantlarda parazitlenmeye neden olabilir. Ciddi yaralanmaya veya ölüme neden olabilecek durumların ortaya çıkma riskini azaltmak için tıbbi implantı olan kişilerin, bu ürünü çalıştırmadan önce doktorlarına ve tıbbi implant üreticilerine danışmalarını öneririz.
- Her zaman dikkatli olun ve sağduyunuzu kullanın. Özel bir durumda ürünü nasıl kullanacağınızdan emin değilseniz durun ve devam etmeden önce Husqvarna bayinizle görüşün.

- Diğer insanları veya bu insanlara ait mülkleri içeren kazalardan operatörün sorumlu tutulacağını unutmayın.
- Ürünü temiz tutun. İşaretleri ve etiketleri net bir şekilde okuyabildiğinizden emin olun.
- Kullanım kılavuzunun içindekileri okuyup anladığından emin olmadan kimsenin ürünü kullanmasına izin vermeyin.
- Ürünü, bir çocuğun kullanmasına izin vermeyin.
- Çocukları çalışma alanından uzakta tutun. Sorumluluk sahibi bir yetişkin her zaman orada olmalıdır.
- Talimatlar hakkında bilgisi olmayan birinin ürünü kullanmasına izin vermeyin.
- Fiziksel veya zihinsel kapasitesi düşük olan bir kişi ürünü kullanırken bu kişiyi daima gözetim altında tutun. Sorumluluk sahibi bir yetişkin her zaman orada olmalıdır.
- Ürünü yorgunken, hastayken veya alkol ya da ilaç etkisi altındayken kullanmayın. Bu durum görüş, dikkat, koordinasyon ve doğru bir şekilde düşünmenizi olumsuz yönde etkiler.
- Hasarlı veya düzgün çalışmayan bir ürünü kullanmayın.
- Başkaları tarafından değiştirilmiş olma olasılığı varsa bu ürünü değiştirmeyin veya kullanmayın.
- Motor devir kontrolü ayarını değiştirmeyin.

Çalışma alanı güvenliği



UYARI: Ürünü kullanmadan önce aşağıdaki uyarı talimatlarını okuyun.

- Ürünü kullanmadan önce çalışma alanındaki dal, çalı çırpı ve taş gibi nesnelere alın.
- Kesme donanımına çarpan nesnelere fırlatılarak kişi ve nesnelere zarar görmesine neden olabilir. Etraftaki insanları ve hayvanları üründen güvenli bir uzaklıkta tutun.
- Ürünü sis, yağmur, kuvvetli rüzgar, şiddetli soğuk ve yıldırım düşmesi riski gibi olumsuz hava koşullarında hiçbir zaman kullanmayın. Ürünü olumsuz hava

koşullarında veya nemli ya da ıslak yerlerde kullanmak yorucudur. Kötü hava, kaygan yüzeyler gibi tehlikeli koşullara neden olabilir.

- Ürünün güvenli bir şekilde çalışmasını önleyebilecek kişi, nesne ve durumlara dikkat edin.
- Kök, taş, çalı çırpı, çukur, hendek gibi engellere dikkat edin. Uzun çim nesnelere saklayabilir.
- Eğimli yerlerde çim kesmek tehlikeli olabilir. Ürünü 15°den daha eğimli zeminlerde kullanmayın.
- Yokuşlarda ürünü yatay olarak kullanın. Yukarı ve aşağı hareket ettirmeyin.
- Gizli köşelere ve açık görüşü engelleyen nesnelere yanına giderken dikkatli olun.

Çalışma güvenliği



UYARI: Ürünü kullanmadan önce aşağıdaki uyarı talimatlarını okuyun.

- Bu ürünü yalnızca çimenlik alanlarda çim kesmek için kullanın. Ürünün başka işler için kullanılması yasaktır.
- Kişisel koruyucu araçlar kullanın. Bkz. *Kişisel koruyucu ekipman sayfa: 362*.
- Acil bir durumda motoru hızlı bir şekilde nasıl kapatacağınızı öğrenin.
- Ürünü hiçbir zaman kapalı yerlerde veya yanıcı maddelerin yakınında çalıştırmayın. Motordan çıkan egzoz dumanları sıcaktır ve yangın çıkmasına neden olabilecek kıvılcımlar içerir.
- Bıçağı ve tüm kapakları doğru bir şekilde takmadan ürünü çalıştırmayın. Yanlış bir şekilde takılan bıçak gevşeyerek yaralanmanıza neden olabilir.
- Bıçağın taş veya kök gibi nesnelere çarpmamasına dikkat edin. Bu, bıçağa zarar verebilir ve motor milini bükebilir. Bükülmüş aks, ağır titreşime ve çok yüksek bir bıçak gevşemesi riskine neden olabilir.
- Bıçak bir cisme çarpar veya titreşim olursa ürünü hemen durdurun. Ateşleme kablosunu bujiden ayırın. Üründe hasar olup olmadığını kontrol edin. Hasarları onarın veya yetkili bir servis noktasının onarım yapmasını sağlayın.
- Motor çalıştırıldığında motor fren kolunu hiçbir zaman sürekli olarak kola takmayın.
- Ürünü sabit ve düz bir yüzeye koyup çalıştırın. Bıçağın yere veya diğer cisimlere çarpmadığından emin olun.
- Ürünü çalıştırırken her zaman arkasında durun.
- Ürünü kullanırken tüm tekerleklerin yere basmasını sağlayın ve 2 elinizi kolun üzerinde tutun. Ellerinizi ve ayaklarınızı döner bıçaklardan uzakta tutun.
- Motor çalışırken ürünü yatırmayın.
- Ürünü arkaya doğru çekerken dikkatli olun.
- Motor çalışırken ürünü hiçbir zaman yukarı kaldırmayın. Ürünü kaldırmamız gerekirse önce motoru durdurun ve ateşleme kablosunu bujiden ayırın.
- Ürünü kullanırken arkaya doğru yürümeyin.

- Çakılı, taş ve asfalt gibi malzemelerden yapılmış, çim olmayan alanlardan geçerken motoru durdurun.
- Motor çalışırken ürünle birlikte koşmayın. Ürünü kullanırken her zaman yürüyün.
- Kesme yüksekliğini değiştirmeden önce motoru durdurun. Motor çalışırken asla ayarlama yapmayın.
- Motor çalışırken ürünün hiçbir zaman görüş alanından çıkmasına izin vermedin. Motoru durdurun ve kesme donanımının dönmediğinden emin olun.

Kullanım için güvenlik talimatları

Kişisel koruyucu ekipman



UYARI: Ürünü kullanmadan önce aşağıdaki uyarı talimatlarını okuyun.

- Kişisel koruyucu ekipmanlar yaralanma riskini tamamen engelleyemez ancak bir kaza durumunda yaralanmanın derecesini azaltır. Bayinizin doğru ekipmanı seçmenize yardımcı olmasını sağlayın.
- Gürültü düzeyi 85 dB'den fazlaysa kulaklık koruma ekipmanı kullanın.
- Ağır hizmet tipi kaymayan botlar veya ayakkabılar kullanın. Açık ayakkabılar giymeyin veya çıplak ayakla yürümeyin.
- Kalın, uzun pantolonlar giyin.
- Kesme donanımını takma, kontrol etme veya temizleme gibi gerekli durumlarda koruyucu eldivenler kullanın.

Ürünün üzerindeki güvenlik araçları



UYARI: Ürünü kullanmadan önce aşağıdaki uyarı talimatlarını okuyun.

- Güvenlik cihazları hasarlı olan veya düzgün çalışmayan bir ürünü kullanmayın.
- Güvenlik araçlarını düzenli olarak kontrol edin. Güvenlik cihazları hasarlıysa veya düzgün çalışmıyorsa Husqvarna servis noktasıyla görüşün.
- Güvenlik araçları üzerinde değişiklik yapmayın.

Kesme kapağını kontrol etme

Kesme kapağı, üründeki titreşimleri ve bıçakla yaralanma riskini azaltır.

- Çatlak gibi hasarlar olmadığından emin olmak için kesme kapağını inceleyin.

Kayış koruyucusunu kontrol etme

Kayış koruyucusu, yaralanma riskini azaltır ve kopan hareket kayışının fırlamasını önler.

- Kayış koruyucusunda hasar olmadığından ve doğru şekilde takıldığından emin olun. (Şek. 15)

Motor fren kolu

Motor fren kolu, motoru durdurur. Motor fren kolu bırakıldığında motor durur.

Motor freninde inceleme yapmak için motoru çalıştırıp motor fren kolunu serbest bırakın. Motor 3 saniye içinde durmazsa motor frenini onaylı Husqvarna servis noktasına arıyın.

(Şek. 16)

Titreşim azaltma sistemini kontrol etme



UYARI: Titreşime aşırı ölçüde maruz kalmak, dolaşım bozukluğu olan kişilerde dolaşım veya sinir sistemi hasarına yol açabilir. Titreşime aşırı maruz kalma belirtileri gösteriyorsanız tıbbi yardım alın. Bu belirtiler arasında uyuşma, his kaybı, karıncalanma, iğnelenme, acı, güç kaybı, cilt renginde veya durumunda değişiklik bulunmaktadır. Bu belirtiler çoğunlukla parmaklarda, ellerde veya bileklerde ortaya çıkar.

Titreşim azaltma sistemi, çalışma sırasında tutma yerindeki titreşimi azaltır.

Kesme kapağı ve gidondaki çelik boru, titreşimi azaltır. KLIPPO LB 548SQe modelinde ayrıca gidona takılı 4 adet titreşim azaltma birimi vardır.

- Gidonu ve titreşim azaltma birimlerini kontrol edip hasarlı olmadıklarından emin olun. (Şek. 17)

Bıçak desteği

Bıçak desteği, motor mili eğilmesi riskini azaltır. Bıçak, bir nesneye çarparsa bıçak desteğine doğru hareket eder. Hareket, bıçak desteği yüzeyinde aşınmaya neden olur. Aşınma, motor mili korumasının doğru şekilde çalıştığını gösterir.

Susturucu

Susturucu, gürültü düzeyini minimum seviyede tutar ve egzoz dumanlarını operatörden uzağa gönderir.

Susturucu yoksa veya hasarlıysa ürünü kullanmayın. Hasarlı bir susturucu, gürültü düzeyini ve yangın riskini artırır.



UYARI: Susturucu kullanım sırasında, kullanım sonrasında ve motor rölantide çalışırken çok sıcak olur. Yangını önlemek için yanıcı malzemelerin ve/veya dumanların yakınında dikkatli olun.

Susturucuyu kontrol etme

- Düzgün takıldığından ve hasarlı olmadığından emin olmak için susturucuyu düzenli olarak kontrol edin.

Yakıt güvenliği



UYARI: Ürünü kullanmadan önce aşağıdaki uyarı talimatlarını okuyun.

- Ürünün üzerinde yakıt veya motor yağı varsa ürünü çalıştırmayın. İstenmeyen yakıtı/yağı temizleyin ve ürünün kurumasını bekleyin.
- Kıyafetlerinize yakıt bulaşırsa kıyafetlerinizi hemen değiştirin.
- Vücudunuza yakıt bulaştırmayın; bu, yaralanmaya sebep olabilir. Vücudunuza yakıt bulaşırsa yakıtı temizlemek için su ve sabun kullanın.
- Motorda sızıntı varsa ürünü çalıştırmayın. Motorda sızıntı olup olmadığını düzenli olarak kontrol edin.
- Yakıtla uğraşırken dikkatli olun. Yakıt yanıcı ve dumanlar patlayıcıdır; yaralanmalara veya ölüme sebep olabilir.
- Yaralanmaya sebep olabileceğinden yakıt dumanını solumayın. Yeterli hava akışı olduğundan emin olun.
- Yakıtın veya motorun yakınında sigara içmeyin.
- Yakıtın veya motorun yakınına sıcak nesnelere koymayın.
- Motor açıkken yakıt eklemeyin.
- Yakıtı yenilemeden önce motorun soğuduğundan emin olun.
- Yakıtı yenilemeden önce yakıt tankı kapağını yavaşça açın ve basıncı dikkatlice tahliye edin.
- Kapalı bir alanda motora yakıt eklemeyin. Nefessiz kalma veya karbon monoksit nedeniyle yeterli hava akışının olmaması yaralanmaya veya ölüme sebep olabilir.
- Yakıt tankı kapağını tamamen sıkın. Yakıt tankı kapağı sıkılmamışsa yangın riski vardır.
- Çalıştırmadan önce ürünü, yakıt tankını doldurduğunuz konumdan en az 3 m/10 ft uzağa taşıyın.
- Yakıt tankını tamamen doldurmayın. Isı yakıtın genişlemesine neden olur. Yakıt tankının üst kısmında boşluk bırakın.

Bakım için güvenlik talimatları



UYARI: Ürünü kullanmadan önce aşağıdaki uyarı talimatlarını okuyun.

- Motordan gelen egzoz dumanı kokusuz, zehirli ve son derece tehlikeli bir gaz olan karbon monoksit içerir. Motoru iç mekanlarda veya kapalı alanlarda çalıştırmayın.
- Ürün üzerinde bakım yapmadan önce motoru durdurup ateşleme kablosunu bujiden çıkarın.
- Kesme donanımı üzerinde bakım yaparken koruyucu eldiven kullanın. Bıçak çok keskindir ve kolaylıkla kesiklere yol açabilir.

- Üretici tarafından onaylanmamış aksesuarlar ve ürün değişiklikleri, ciddi yaralanmalara veya ölüme neden olabilir. Ürünü değiştirmeyin. Her zaman üretici tarafından onaylanmış aksesuarları kullanın.
- Bakım işlemi doğru ve düzenli şekilde yapılmadığı takdirde yaralanma ve ürün hasarı riski artar.
- Bakım işlemi yalnızca kullanıcı kılavuzunda belirtildiği şekilde gerçekleştirin. Diğer tüm servis

ve bakım işlemleri, onaylı Husqvarna servis noktası tarafından yapılmalıdır.

- Ürün üzerindeki servis işlemlerini düzenli olarak Husqvarna servis noktasına yaptırın.
- Hasarlı, aşınmış ya da kırık parçaları değiştirin.

Montaj

Giriş



UYARI: Ürünü monte etmeden önce güvenlik bölümünü okuyup anlamalısınız.



UYARI: Ürünün montajını yapmadan önce buji kablosunu bujiden çıkarın.

Tutma yerini monte etme ve ayarlama

1. Tutma yeri somununu ve rondelayı üst tutma yerindeki plakadan çıkarın.
2. Üst tutma yerini alt tutma yerinin üzerine yerleştirin.



DİKKAT: Kabloların takılmadığından veya hasar görmediğinden emin olun.

3. Rondelayı ve tutma yeri somununu takın. (Şek. 18)
4. Ürünü duvar yakınında çalıştırdığınızda iyi bir çalıştırma konumu için tutma yerini yana çevirin. (Şek. 19)
5. Tutma yerini dikey olarak ayarlamak için gövde üzerindeki ayar tekerlerini çevirin. (Şek. 20)

Malç tapasını monte etme (KLIPPO LB 448S, KLIPPO LB 448SQ, KLIPPO LB 548SQe)

1. Buji yukarıda olacak şekilde ürünü geriye doğru eğin.
2. Malç tapasının pimlerini kesme kapağının iç tarafından deliklere doğru yerleştirin. (Şek. 21)
3. Malç tapasının vidalarını kesme kapağının dış tarafından takın. (Şek. 22)

Çalışma

Giriş



UYARI: Ürünü kullanmadan önce güvenlik bölümünü okuyup anlamalısınız.

Husqvarna Connect

Husqvarna Connect, mobil cihazınız için ücretsiz bir uygulamadır. Husqvarna Connect uygulaması, Husqvarna ürününüz için ayrıntılı işlevler sunar:

- Ayrıntılı ürün bilgileri.
- Ürün parçaları ve servis hakkında bilgi ve yardım.

Husqvarna Connect uygulamasını kullanmaya başlamak için

1. Husqvarna Connect uygulamasını mobil cihazınıza indirin.
2. Husqvarna Connect uygulamasında kaydolun.
3. Ürünü bağlamak ve kaydettirmek için Husqvarna Connect uygulamasındaki talimatları izleyin.

Ürünü çalıştırmadan önce

1. Kullanım kılavuzunu dikkatle okuyun ve talimatları anladığınızdan emin olun.
2. Doğru bir şekilde takılıp ayarlandığından emin olmak için kesme donanımını inceleyin. Bkz. *Kesme donanımını kontrol etme sayfada: 367.*
3. Yakıt tankını doldurun. Bkz. *Yakıt doldurma sayfada: 364.*
4. Yağ tankını doldurun ve yağ seviyesini kontrol edin. Bkz. *Yağ seviyesini kontrol etme sayfada: 367.*

Yakıt doldurma

Varsa düşük emisyonlu/alkilat benzin kullanın. Düşük emisyonlu/alkilat benzin yoksa kaliteli kurşunsuz benzin veya oktan numarası 90'ın altında olmayan kurşunlu benzin kullanın.



DİKKAT: Oktan numarası 90 RON (87 AKI) değerinin altında olan benzin kullanmayın. Bu, üründe hasara neden olabilir.

1. Basıncı tahliye etmek için yakıt tankı kapağını yavaşça açın.
2. Yakıt bidonuyla yavaşça doldurun. Yakıt dökerseniz bezle silin ve kalan yakıtı kurumaya bırakın. (Şek. 23)
3. Yakıt tankı kapağının çevresini temizleyin.
4. Yakıt tankı kapağını tamamen sıkın. Yakıt tankı kapağı sıkılmamışsa yangın riski vardır.
5. Çalıştırmadan önce ürünü, yakıt tankını doldurduğunuz konumdan en az 3 m (10 ft) uzağa taşıyın.

Kesme yüksekliğini ayarlama

Kesme yüksekliği 6 seviyede ayarlanabilir.

1. Kesme yüksekliğini artırmak için kesme yüksekliği kolunu öne getirin.
2. Kesme yüksekliğini azaltmak için kesme yüksekliği kolunu arkaya getirin.



DİKKAT: Kesme yüksekliğini çok alçakta belirlemeyin. Çimenlik alanın yüzeyi düz değilse bıçaklar yere çarpabilir.

Ürünü çalıştırma

1. Ateşleme kablosunun bujiye bağlandığından emin olun.
2. Yakıt valfini açın. (Şek. 24)
3. Ürünü arkasında durun.
4. Motor fren kolunu tutma çubuğunun karşısında tutun. (Şek. 25)
5. Çalıştırma ipinin kolunu sağ elinizle tutun.
6. Çalıştırma ipini bir miktar direnç hissedene kadar yavaşça çekin.
7. Motoru çalıştırmak için kuvvetlice çekin.



UYARI: Çalıştırma ipini elinize dolamayın.



DİKKAT: Çalıştırma ipini tamamen uzatmayın. Çalıştırma ipi çekilmiş durumdayken çalıştırma ipi kolunu serbest bırakmayın.

Tekerleklerde tahrikin kullanılması

- Tahrik kolunu aşağı itin. (Şek. 26)
- Ürünü geriye doğru çekmeden önce tahriki devre dışı bırakın ve ürünü yaklaşık 10cm ileri itin.
- Örneğin bir engele yaklaştığınızda tahriki devre dışı bırakmak için motor freni kolunu kısa bir mesafe serbest bırakın.

Ürünü durdurma

- Sadece tahriki durdurmak için motor freni kolunu kısa bir mesafe serbest bırakın.
- Motoru durdurmak için motor freni kolunu tamamen serbest bırakın.
- Yakıt valfini kapatın. (Şek. 27)

İyi sonuç alma

- Her zaman keskin bıçak kullanın. Kör bıçak, düzensiz bir sonuç verir ve çimin kesme yüzeyi sarı olur. Ayrıca keskin bıçak kör bıçaktan daha az güç kullanır.
- Çim boyunun 1/3'ünden fazlasını kesmeyin. Önce kesme yüksekliği yüksek ayardayken kesmeye başlayın. Sonucu inceleyin ve kesme yüksekliğini uygun seviyeye indirin. Çimler çok uzunsa makineyi yavaş kullanın ve gerekirse 2 kere kesin.
- Her seferinde farklı yönlerde keserek çimenlik alanda çizgi oluşmasını önleyin.
- Kesme kapağını temiz tutun. Kesme kapağının iç tarafında çim ve kir birikmesi kesme performansını zayıflatır. Bkz. *Ürünün dış kısmını temizleme sayfa: 366.*

Bakım

Giriş



UYARI: Bakım yapmadan önce güvenlik bölümünü okuyup anlamanız gerekir.

Ürüne uygulanacak tüm servis ve onarım işlemleri için özel eğitim gereklidir. Profesyonel onarım ve servis hizmetlerinin mevcut bulunduğunu garanti etmekteyiz. Yetkili satıcınız servis noktası değilse kendisiyle görüşüp en yakınınızdaki servis noktası hakkında bilgi edinin.

Daha ayrıntılı bilgi için bkz. www.husqvarna.com.

Bakım takvimi

Bakım aralıkları, ürünün günlük kullanımına göre hesaplanır. Ürün her gün kullanılmıyorsa aralıklar değişir.

* İşaretili bakım için şu bölümdeki talimatlara bakın: *Ürünün üzerindeki güvenlik araçları sayfa: 362.*

Bakım	Günlük	Haftalık	Aylık
Genel inceleme yapma	X		
Yağ seviyesini inceleme	X		
Ürünü temizleme	X		
Hava filtresini temizleme	X		
Kesme ekipmanını inceleme	X		
Kesme kapağını inceleme*	X		
Motor fren kolunu inceleme*	X		
Susturucuyu inceleme*		X	
Bujiyi inceleme		X	
Tahrik kayışında hasar olup olmadığını kontrol etme			X
Dişli kovanını temizleme			X
KLIPPO LB 448S, KLIPPO LB 453S için. Yağ değişimi (ilk kullanımda 5 saatten sonra, daha sonra her 25 saatlik kullanımda ve yılda bir)			X
KLIPPO LB 448SQ, KLIPPO LB 453SQ, KLIPPO LB 548SQe için. Yağ değişimi (ilk kullanımda 5 saatten sonra, daha sonra her 100 saatlik kullanımda ve yılda bir)			X
Hava filtresini değiştirme			X
Yakıt sistemini inceleme			X
Tahriri inceleme ve ayarlama (kavrama kablosu)			X

Genel denetim yapma

- Ürünün üzerindeki tüm somun ve vidaların doğru şekilde sıkıldığından emin olun.

Ürünün dış kısmını temizleme

- Yaprak, çim ve kirleri gidermek için fırça kullanın.
- Motorun üst kısmındaki hava girişinin kapanmadığından emin olun.
- Ürünü temizlemek için yüksek basınçlı yıkayıcı kullanmayın.
- Ürünü temizlemek için su kullanıyorsanız suyu doğrudan motorun üzerine akıtmayın.

Kesme kapağının iç yüzeyini temizleme

1. Ürünü susturuculu yanı alta gelecek şekilde yerleştirin.



DİKKAT: Ürün hava filtresi alta gelecek şekilde yerleştirilirse motor hasar görebilir.

2. Kesme kapağının iç yüzeyini hortum kullanarak suyla yıkayın.

Hareket kayışını kontrol etme ve dişli kovanını temizleme

1. Kayış koruyucusu üzerindeki 4 adet vidayı ve kayış koruyucusunu çıkarın. (Şek. 28)
2. Hareket kayışı ve kayış makarasında hasar olup olmadığını kontrol edin.
3. Dişli kovanındaki yaprak, çim ve kirleri almak için fırça kullanın. (Şek. 29)

Hareket kayışını değiştirme ve ayarlama

1. Kayış koruyucusu üzerindeki 4 adet vidayı ve kayış koruyucusunu çıkarın. (Şek. 28)
2. Ürünün sağ ön tekerleğindeki jant kapağı ve tekerlek arasına bir düz tornavida yerleştirin.
3. Jant kapağını çıkarmak için tornavidayı dikkatlice burkun.
4. Tekerlek civatasını ve ardından tekerleği çıkarın. (Şek. 30)
5. Hareket kayışını kayış makaralarından çıkarın.
6. Kayış makaralarının aks üzerinde kolayca hareket ettiğinden emin olun.

7. Gerekirse kayış makaraları arasına ve arkasına nüfuz edici yağ püskürtün ve aksı yağlayın.
8. Yeni bir hareket kayışı takın ve hareket kayışını ayarlamadan önce rulmana doğru şekilde takın. (Şek. 31)
9. Hareket kayışını ayarlamak için rulmanı yukarı veya aşağı hareket ettirin. (Şek. 32)

Not: Yeni hareket kayışı kullandıktan sonra uzar. Birkaç saat çalıştırmadan sonra hareket kayışını tekrar ayarlayın.

10. Kayış koruyucusunu takın.
11. Hareket kayışının doğru şekilde takılıp ayarlandığından emin olmak için ürünü çalıştırın.

Orta kayışı değiştirme ve ayarlama

1. Bıçağı sökün.

Not: Bu adım sadece orta kayışı ayarlıyorsanız gerekli değildir.

2. Ayar vidalarını birkaç tur gevşetin ancak çıkarmayın. (Şek. 33)
3. Orta kayışı değiştirin ve ayar vidalarını orta derecede sıkın.

Not: Bu adım sadece orta kayışı ayarlıyorsanız gerekli değildir.

4. Orta kayışı ayarlamak için dişliyi ileri veya geriye doğru hareket ettirin. (Şek. 34)
5. Orta kayışın gerginliğini kontrol etmek için kancalı terazi kullanın. Kayış, ortada 6-10 mm hareket edebildiğinde doğru gerginliğe sahiptir. Bu, 3 kg'lık çekmeye eşittir. (Şek. 35)
6. Ayar vidalarını 3 Nm'lik bir torkla tamamen sıkın.
7. Hareket kayışının doğru şekilde takılıp ayarlandığından emin olmak için ürünü çalıştırın.

Kesme donanımını kontrol etme



UYARI: Kazara çalışmayı önlemek için ateşleme kablosunu bujiden ayırın.



UYARI: Kesme donanımına bakım yaptığınızda koruyucu eldivenler kullanın. Bıçak çok keskindir ve kolaylıkla kesiklere yol açabilir.

1. Kesme donanımında hasar veya çatlak olup olmadığını inceleyin. Hasarlı bir kesme donanımını kesinlikle değiştirin.
2. Hasarlı veya kör olup olmadığını anlamak için bıçağa bakın.

Not: Bilendikten sonra bıçağı dengelemek gerekir. Bıçağın bir servis merkezinde bilenmesini, değiştirilmesini ve dengelenmesini sağlayın. Ürünün durmasına neden olan bir engele çarparsanız hasarlı bıçağı değiştirin. Bıçağın bilenip bilenmeyeceğini veya değiştirmek gerekir gerekmediğine servis merkezinin karar vermesini sağlayın.

Bıçağı değiştirme

1. Bıçağı bir tahta parçasıyla kilitleyin. (Şek. 36)
2. Bıçak civatasını, yaylı rondelayı ve bıçağı çıkarın. (Şek. 37)
3. Bıçak desteğinde ve bıçak civatasında hasar olup olmadığını kontrol edin.
 - a) Bıçağı veya bıçak desteğini değiştirirseniz bıçak civatasını, yaylı rondelayı ve sürtünme rondelasını da değiştirin.
4. Bükülmeliğinden emin olmak için motor milini inceleyin.
5. Yeni bıçağı taktığınızda, bıçağın bükülmüş uçlarının kesme kapağının yönünde olduğundan emin olun. (Şek. 38)
6. Sürtünme rondelasını ve bıçağı bıçak desteğine yerleştirin. (Şek. 39)
7. Bıçağın, motor milinin orta kısmıyla hizalandığından emin olun. (Şek. 40)
8. Bıçağı ahşap bir blokla kilitleyin. (Şek. 41)
9. Yaylı rondela takın ve civatayı 80 Nm'lik torkla sıkın. (Şek. 42)
10. Bıçağı elinizle çekerek döndürün ve serbestçe döndüğünden emin olun.



UYARI: Koruyucu eldivenler kullanın. Bıçak çok keskindir ve kolaylıkla kesiklere yol açabilir.

11. Bıçağı test etmek için ürünü çalıştırın. Bıçak doğru bir şekilde takılmadıysa üründe titreşim olur veya kesme işleminin sonucu başarısızdır.

Yağ seviyesini kontrol etme



DİKKAT: Yağ seviyesinin çok düşük olması motora zarar verebilir. Ürünü çalıştırmadan önce yağ seviyesini kontrol edin.

1. Ürünü düz bir zemine koyun.
2. Yağ çubuğu takılı yağ deposu kapağını çıkarın.
3. Yağ çubuğundaki yağı temizleyin.
4. Yağ çubuğunu yağ deposuna tamamen itin. Yağ seviyesinin doğru belirlenmesi için yağ deposu kapağını sıkın.
5. Yağ çubuğunu çıkarın.

- Yağ çubuğundaki yağ seviyesini kontrol edin.
- Yağ seviyesi düşükse motor yağı doldurun ve yağ seviyesini tekrar kontrol edin.

(Şek. 43)

Not: Dökülmeyi önlemek için huni kullanın.

Motor yağının değiştirilmesi



UYARI: Motor yağı, motor durdurulduktan hemen sonra çok sıcaktır. Motor yağınızı boşaltmadan önce motorun soğumasını bekleyin. Cildinize motor yağı dökülürse sabun ve suyla temizleyin.

(Şek. 44)

- Ateşleme kablosunu bujiden çıkarın.
- Yağ deposu kapağını çıkarın.
- Motor yağınızı boşaltın.
 - Yağ tahliye tapası bulunan modeller için: Yağ tahliye tapasının altına motor yağınızı alacak bir kap yerleştirin.
 - Yağ tahliye tapası bulunmayan modeller için veya yağ tahliye tapasının altına bir kap koyulamıyorsa: Bir yağ pompası (aksesuar) kullanarak yağ deposundaki motor yağınızı tahliye edin.
- Şu bölümde tavsiye edilen tipte yeni motor yağı doldurun: *Teknik veriler sayfada: 369.*
- Yağ seviyesini kontrol edin. Bkz. *Yağ seviyesini kontrol etme sayfada: 367.*

Hava filtresi

Not: Uzun süre kullanılan hava filtresi tamamen temizlenemez. Hava filtresini düzenli aralıklarla değiştirin. Hasar görmüş hava filtrelerini daima değiştirin.

Hava filtresini çıkarma ve takma (KLIPPO LB 488SQ, KLIPPO LB 453SQ, KLIPPO LB 548Qe)



UYARI: Korumacı eldivenler kullanın.

- Hava filtresi kapağının üzerindeki klipslere bastırın.
- Hava filtresi kapağını (A) motordan dikkatlice çıkarın.
- Hava filtresini (B) ve köpük filtreyi (C) çıkarın. (Şek. 45)
- Hava filtresinde hasar olup olmadığını kontrol edin. Hasar görmüş hava filtresini değiştirin.

- Hava filtresini temizleyin ve kontrol edin. Bkz. *Hava filtresini temizleme (KLIPPO LB 448SQ, KLIPPO LB 453SQ, KLIPPO LB 548Qe) sayfada: 368.*
- Ters sırayla takın.

Hava filtresini temizleme (KLIPPO LB 448SQ, KLIPPO LB 453SQ, KLIPPO LB 548Qe)



DİKKAT: Hava filtresi takılı değilse veya kirliyse motoru çalıştırmayın.



DİKKAT: Tamamen temizlenemiyor ya da hasarlıysa hava filtresini değiştirin. Hasarlı bir hava filtresi motorda hasara neden olur.

- Mandal tırnaklarını (A) itin, hava filtresi kapağını (B) ve hava filtresini (C) çıkarın. (Şek. 46)
- Hava filtresini sert bir yüzeye vurun veya hava filtresinin temiz tarafından hava filtresine doğru basınçlı hava üfleyin.



DİKKAT: Kiri hava filtresinin içine iteceğinden kiri temizlemek için fırça kullanmayın.

- Hava filtresi tutucusunu (D) ve hava filtresi kapağını nemli bir bezle temizleyin.



DİKKAT: Hava kanalına (E) kir girmedüğinden emin olun.

- Hava filtresini takın. Hava filtresinin hava filtresi tutucusuna tamamen oturduğundan emin olun.
- Hava filtresi kapağını alttaki tırnaklardan başlayarak takın.

Hava filtresini temizleme (KLIPPO LB 448S, KLIPPO LB 453S)



DİKKAT: Hava filtresi takılı değilse veya kirliyse motoru çalıştırmayın.



DİKKAT: Tamamen temizlenemiyor ya da hasarlıysa hava filtresini değiştirin. Hasarlı bir hava filtresi motorda hasara neden olur.

- Mandal tırnaklarını (A) itin, hava filtresi kapağını (B) ve hava filtresini (C) çıkarın. (Şek. 47)
- Hava filtresini sert bir yüzeye vurun veya hava filtresinin temiz tarafından hava filtresine doğru basınçlı hava üfleyin.



DİKKAT: Kiri hava filtresinin içine iteçeğinden kiri temizlemek için fırça kullanmayın.

- Hava filtresi tutucusunu (D) ve hava filtresi kapağını nemli bir bezle temizleyin.



DİKKAT: Hava kanalına (E) kir girmedeğinden emin olun.

- Hava filtresini takın. Hava filtresinin hava filtresi tutucusuna tamamen oturduğundan emin olun.
- Hava filtresi kapağını alttaki tırnaklardan başlayarak takın.

Bujinin kontrol edilmesi



DİKKAT: Daima önerilen tipte buji kullanın. Yanlış buji türü ürüne zarar verebilir.

- Motor gücü düşükse, çalıştırılması kolay değılse veya rölantide düzgün bir şekilde çalışmıyorsa bujiyi kontrol edin.
- Buji elektrotlarında istenmeyen nesne riskini azaltmak için şu talimatlara uyun:

- Rölanti hızının doğru ayarlandığından emin olun.
 - Yakıt karışımının doğru olduğundan emin olun.
 - Hava filtresinin temiz olduğundan emin olun.
- Buji kirliyse temizleyin ve elektrot boşluğunun doğru olduğundan emin olun, bkz. *Teknik veriler sayfada: 369*. (Şek. 48)
 - Gerekirse bujiyi değıştirin.

Yakıt sistemini kontrol etme

- Hasar olmadığından emin olmak için yakıt tankı kapağını ve yakıt tankı kapağının contasını inceleyin.
- Sızıntı olmadığından emin olmak için yakıt hortumunu inceleyin. Yakıt hortumu hasarlıysa bir servis noktasında değıştirilmesini sağlayın.

Kavrama kablosunu ayarlama

Tahrik yavaşlamış gibiyse kavrama kablosunu ayarlamak gerekir.

- Ayar vidasını çevirin. (Şek. 49)

Kavrama kablosu ayrıca somunla hizalandığında kavrama kablosu doğru şekilde ayarlanmıştır.

(Şek. 50)

Taşıma, depolama ve atma

Taşıma ve saklama

- Ürün ile yakıtı taşımak ve saklamak için sızıntı veya duman olmadığından emin olun. Örneğın, elektrikli cihazlardan veya kazanlardan kaynaklanan kıvılcım veya açık alevler yangın çıkarabilir.
- Yakıtı taşımak ve saklamak için her zaman onaylı kaplar kullanın.
- Ürünü uzun bir süre için saklama yerine koymadan önce yakıt tankını boşaltın. Yakıtı uygun bir çöp atma merkezinde bertaraf edin
- Hasar veya kaza olmasını önlemek için taşıma sırasında ürünü güvenli bir şekilde bağlayın.

- Çocukların veya yetkili olmayan kişilerin erişmesini önlemek için ürünü kilitleli bir alanda tutun.
- Ürünü kuru ve donmayan bir yerde tutun.

Atma

- Yerel geri dönüşüm gerekliliklerine ve geçerli düzenlemelere uyun.
- Motor yağı veya yakıt gibi kimyasalları servis merkezinde veya uygun bir atık noktasında atın.
- Ürün artık kullanılmıyorsa ürünü Husqvarna bayisine gönderin veya geri dönüşüm noktasında atın.

Teknik veriler

Teknik veriler

	KLIPPO LB 448S	KLIPPO LB 448SQ	KLIPPO LB 453S	KLIPPO LB 453SQ	KLIPPO LB 548SQe
Motor					
Marka	Honda	Husqvarna	Honda	Husqvarna	Husqvarna
Model	GCVX-145	HS 166AP	GCVx-170	HS 166AP	HS 166AP

	KLIPPO LB 448S	KLIPPO LB 448SQ	KLIPPO LB 453S	KLIPPO LB 453SQ	KLIPPO LB 548SQe
Motor tipi	Tek silindirli, 4 Zamanlı, Basınçlı Havayla Soğutma, OHV	Tek silindirli, 4 Zamanlı, Basınçlı Havayla Soğutma, OHV	Tek silindirli, 4 Zamanlı, Basınçlı Havayla Soğutma, OHV	Tek silindirli, 4 Zamanlı, Basınçlı Havayla Soğutma, OHV	Tek silindirli, 4 Zamanlı, Basınçlı Havayla Soğutma, OHV
Hacim, cm ³	145	166	166	166	166
Devir, dev/dak	2900	2900	2900	2900	2900
Nominal motor çıkışı gücü, kW ¹³¹	2,7	2,75	3,3	2,75	2,75
Ateşleme Sistemi					
Buji	NGK BPR5ES	Husqvarna HQT-7	NGK BPR5ES	Husqvarna HQT-7	Husqvarna HQT-7
Elektrot boşluğu, mm	0,7-0,8	0,7-0,8	0,7-0,8	0,7-0,8	0,7-0,8
Yakıt ve yağlama sistemi					
Motor yağlama türü	Çarpmalı yağlama	Çarpmalı yağlama	Çarpmalı yağlama	Çarpmalı yağlama	Çarpmalı yağlama
Yakıt deposu kapasitesi, litre	0,9	1,5	0,9	1,5	1,5
Yağ deposu kapasitesi, litre	0,5	0,5	0,55	0,5	0,5
Motor yağı ¹³²	Husqvarna SAE 30	Husqvarna SAE 30	Husqvarna SAE 30/SAE 10W-30	Husqvarna SAE 30/SAE 10W-30	Husqvarna SAE 30/SAE 10W-30
Ağırlık					
Boş depolarla birlikte, kg	30,5	32,5	33	33,5	34,5
Gürültü emisyonu¹³³					
Ses gücü düzeyi, ölçülmüş dB (A)	90	93	91	94	92
Ses gücü düzeyi, garantili L _{WA} dB (A)	91	93	94	95	93
Ses düzeyleri¹³⁴					
Operatörün kulağındaki ses basıncı düzeyi, dB (A)	77	79	78	81	79
Titreşim düzeyleri, a_{hveq}¹³⁵					

¹³¹ Motor için gösterilen güç derecesi SAE J1349/ISO1585 standardına göre ölçülen motor modeli için tipik bir üretim motorunun (belirlenmiş dev/dak'da) ortalama net güç çıkışıdır. Seri üretim motorları bu değerden farklı olabilir. Ürünün son haline takılan motorun gerçek güç çıkışı çalışma hızına, çevre koşullarına ve diğer değerlere bağlıdır.

¹³² SAE-30 yağ, +5°C'nin altındaki sıcaklıkta kullanılırsa motoru yeterince yağlayamayabilir. Bu, motora zarar verebilir. Bkz. *Motor yağının değiştirilmesi sayfa: 368* Düşük sıcaklıklara yönelik doğru yağ için.

¹³³ 2000/14/AT sayılı AT direktifi uyarınca ses gücü (L_{WA}) olarak çevrede ölçülen gürültü emisyonu düzeyi.

¹³⁴ ISO 5395'e göre ses basıncı düzeyi. Ses basıncı düzeyi için bildirilen verilerdeki tipik istatistik dağılım (standart sapma) 1,2 dB(A) şeklindedir.

¹³⁵ ISO 5395'e göre titreşim düzeyi. Titreşim düzeyi için bildirilen verilerdeki tipik istatistik dağılım (standart sapma) 0,2 m/sn² şeklindedir.

	KLIPPO LB 448S	KLIPPO LB 448SQ	KLIPPO LB 453S	KLIPPO LB 453SQ	KLIPPO LB 548SQe
Tutma yeri, m/sn ²	4,5	4,2	5,3	6,4	4,0
Kesme ekipmanı					
Kesim yüksekliđi, mm	30-60	30-60	30-60	30-60	30-60
Kesim geniřliđi, mm	480	480	530	530	480
Bıçak	Malç - 48 cm 5028813-10	Malç - 48 cm 5028813-10	Malç - 53 cm 5028814-10	Malç - 53 cm 5028814-10	Malç - 48 cm 5028813-10
Tahrik					
Hız, km/sa.	4,5	4,5	4,5	4,5	4,5

Uyumluluk Bildirimi

AB Uyumluluk Bildirimi

Biz, **Husqvarna AB**, SE-561 82 Huskvarna, İsveç, tel: +46-36-146500 olarak tek sorumlu vasfıyla ürüne ilişkin aşağıdaki beyanlarda bulunmaktayız:

Açıklama	Çim biçme makinesi
Marka	Husqvarna
Tip/Model	KLIPPO LB 448S, KLIPPO LB 453S, KLIPPO LB 448SQ, KLIPPO LB 453SQ, KLIPPO LB 548SQe
Kimlik	2022 ve sonrası tarihli seri numaraları

aşağıdaki AB direktifleri ve yönetmelikleriyle tamamen uyumludur:

Direktif/Yönetmelik	Açıklama
2006/42/AT	"makinelere ilgili"
2014/30/AB	"elektromanyetik uyumlulukla ilgili"
2000/14/AT	"çevredeki gürültü emisyonlarıyla ilgili"
2011/65/AB	"elektrikli ve elektronik ekipmanlarda belirli tehlikeli maddelerin kullanımının kısıtlanmasına ilişkin"

ve aşağıdaki standartlar ve/veya teknik özellikler uygulanmıştır: EN ISO 5395-1:2013/A1:2018, EN ISO 5395-2:2013/A1:2016/A2:2017, EN ISO 14982:2009, EN IEC 63000:2018.

Onaylanmış kuruluş: 0404, RISE SMP Svensk Maskinprovning AB, Box 4053, SE-904 03 Umeå, Sweden. 2000/14/AT konsey direktifi, uyumluluk değerlendirme prosedürü: Ek VI ile uyumluluğu belgelemiştir.

Gürültü emisyonları ile ilgili bilgi için bkz. *Teknik veriler sayfa: 369*.

Huskvarna, 2023-02-07



Claes Losdal, Geliştirme Müdürü/Bahçe Ürünleri,
Husqvarna AB

Teknik dokümantasyon sorumlusu

Türk ithalat şirketi daha fazla bilgi için temas edilecek:
Çullas Orman Bahçe ve Tarım Mak. San. Tic. A.Ş.
Suadiye Mh. Bağdat Cd. No:455/4
Kadıköy – 34740 İstanbul / Türkiye
Telefon: +90 216 519 88 82
Faks: +90 216 519 88 78
info@cullas.com.tr



Зміст

Вступ.....	373	ТЕХНІЧНЕ ОБСЛУГОВУВАННЯ.....	379
Безпека.....	374	Транспортування, зберігання й утилізація.....	383
Збирання.....	378	Технічні характеристики.....	384
Експлуатація.....	378	Декларація відповідності.....	386

Вступ

Опис виробу

Це оберտальна газонокосарка для піших операторів із системою BioClip® для перетворення трави на добриво.

Огляд виробу

(Мал. 1)

1. Ручка/рукоятка
2. Ручка зупинення двигуна
3. Важіль привода
4. Ручка стартера
5. Кришка бака для оливи
6. Кожух паса
7. Глушник
8. Свічка запалювання
9. Кожух паса
10. Паливний бак
11. Важіль регулювання кута ручки
12. Система поглинання вібрації
13. Регулювання дроту зчеплення
14. Важіль регулювання висоти різання
15. Паливний клапан
16. Повітряний фільтр
17. Кожух леза
18. Пружинна шайба
19. Болт леза
20. Лезо
21. Опора леза
22. Заглушка для мульчування KLIPPO LB 448S, KLIPPO LB 448SQ, KLIPPO LB 548SQe
23. Посібник користувача

Символи на виробі

- (Мал. 2) УВАГА! недбале чи неправильне використання може призвести до травм або смерті оператора чи інших осіб.
- (Мал. 3) Перед початком використання виробу уважно прочитайте посібник користувача й переконайтеся, що зрозуміли всі вказівки.

Призначення

Користуйтеся виробом для зрізання трави. Забороняється використовувати виріб для інших завдань.

- (Мал. 4) Остерігайтеся рикошету й об'єктів, які можуть вилітати з-під виробу.
- (Мал. 5) Сторонні особи та тварини повинні перебувати на безпечній відстані від робочої зони.
- (Мал. 6) Перед проведенням ремонтних робіт або обслуговування необхідно зупинити двигун та витягнути провід запалювання.
- (Мал. 7) Увага! Тримайте руки та ноги на відстані від деталей, що обертаються.
- (Мал. 8) Увага! Тримайте руки й ноги на безпечній відстані від леза, що обертається.
- (Мал. 9) Цей виріб відповідає вимогам відповідних директив ЄС.
- (Мал. 10) Цей виріб відповідає вимогам застосовних норм Сполученого Королівства.
- (Мал. 11) Виріб відповідає вимогам застосовних директив Митного союзу ЄАЕС. Діє лише для KLIPPO LB 448S & KLIPPO LB 453S.
- (Мал. 12) Етикетка з інформацією щодо шумових викидів у навколишнє середовище відповідно до вимог директив і нормативних актів ЄС і Сполученого Королівства та Закону про збереження навколишнього середовища (контроль шуму) 2017 р. Нового Південного Уельсу. Гарантований рівень звукової потужності виробу вказано в розділі

(Мал. 13) Сканований код.

Зверніть увагу: Інші символи та наклейки на виробі стосуються законодавчих вимог, які діють на певних ринках.

Бирка на виробі, тільки для Австралії та Нової Зеландії

(Мал. 14)

Тримайте руки й ноги на безпечній відстані від леза, що обертається.

Відповідає вимогам європейського екологічного стандарту Євро-5



ПОПЕРЕДЖЕННЯ: Внесення змін у двигун позбавляє чинності сертифікацію ЄС для цього виробу.

Безпека

Визначення щодо безпеки

Попередження, застереження й примітки служать для наголосження на особливо важливих положеннях посібника.



ПОПЕРЕДЖЕННЯ: Вказує на те, що в разі порушення інструкцій, наведених у цьому посібнику, існує небезпека поранення або смерті оператора чи інших осіб, що знаходяться поруч.



УВАГА: Вказує на те, що в разі порушення інструкцій, наведених у цьому посібнику, існує небезпека пошкодження виробу, інших матеріалів або навколишніх об'єктів.

Зверніть увагу: Використовується для надання додаткової інформації щодо певної ситуації.

Загальні правила техніки безпеки



ПОПЕРЕДЖЕННЯ: Перш ніж розпочати використання виробу, уважно прочитайте наведені нижче попередження.

Відповідальність за якість продукції

Згідно із законом про відповідальність за якість продукції ми не несемо відповідальності за будь-які пошкодження, спричинені роботою наших виробів, якщо:

- виріб було неправильно відремонтовано;
- виріб було відремонтовано із використанням деталей, виготовлених не виробником або не затверджених ним;
- виріб обладнано аксесуаром, виготовленим не виробником або не затвердженим ним;
- виріб було відремонтовано в неавторизованому сервісному центрі або неавторизованою компанією;

- Цей виріб може бути небезпечним у разі неправильного або недбалого використання. Порушення правил техніки безпеки може призвести до травм або смерті.
- Під час роботи цього виробу утворюється електромагнітне поле. Це поле може за деяких умов взаємодіяти з активними чи пасивними медичними імплантатами. Щоб зменшити ризик тяжких або смертельних травм, рекомендуємо особам із медичними імплантатами проконсультуватися зі своїм лікарем і виробником медичного імплантату перед початком експлуатації цього виробу.
- Завжди будьте обережні й керуйтеся здоровим глуздом. Якщо ви маєте сумніви щодо того, як користуватися виробом у конкретній ситуації, припиніть роботу й проконсультуйтеся з дилером Husqvarna.
- Пам'ятайте, що оператор несе відповідальність за нещасні випадки, у результаті яких постраждали інші особи або їхнє майно.
- Тримайте пристрій у чистоті. Переконайтеся, що знаки та наклейки читабельні.
- Не дозволяйте використовувати виріб стороннім особам доки не переконаєтеся, що вони прочитали й зрозуміли весь зміст посібника користувача.
- Не дозволяйте дітям використовувати виріб.
- Не підпускайте до робочої зони дітей. Біля виробу, що працює, має завжди перебувати відповідальна доросла особа.

- Не дозволяйте використовувати прилад особам, що не ознайомилися з інструкціями.
- Завжди наглядуйте за особами з обмеженими фізичними чи розумовими можливостями, які використовують виріб. Біля виробу, що працює, має завжди перебувати відповідальна доросла особа.
- Забороняється використовувати виріб, якщо ви втомлені, хворі, чи перебуваєте під впливом наркотиків, алкоголю або медикаментів. Ці фактори мають негативний вплив на ваш зір, зосередженість, свідомість і координацію рухів.
- Не використовуйте виріб, який пошкоджений або не працює належним чином.
- Заборонено вносити зміни в конструкцію виробу чи використовувати виріб, якщо є підозра, що його було змінено сторонніми особами.
- Не змінюйте налаштування керування частотою обертання двигуна.

уважно прочитайте наведені нижче попередження.

Безпека в робочій зоні



ПОПЕРЕДЖЕННЯ: Перш ніж розпочати використання виробу, уважно прочитайте наведені нижче попередження.

- Перед використанням виробу приборіть з робочої зони всі гілки, лозу та каміння.
- Предмети, що потраплять на різальне обладнання, можуть відлетіти та поранити сторонніх осіб або пошкодити інші предмети. Сторонні особи та тварини повинні знаходитися на безпечній відстані від виробу.
- Забороняється використовувати виріб за поганої погоди на кшталт туману, дощу, сильного вітру, значного холоду або грози. Робота в погану погоду або на вологих ділянках виснажує. Погана погода може стати причиною небезпечних умов роботи, таких як слизькі поверхні.
- Бережіться осіб, предметів та ситуацій, які можуть зашкодити безпечній роботі виробу.
- Бережіться перешкод на кшталт коріння, каміння, гілок, ям або канав. Висока трава може приховувати перешкоди.
- Скошування трави на схилах може бути небезпечним. Не використовуйте виріб на ділянках із нахилом понад 15°.
- Використовуйте виріб на схилах у горизонтальному напрямку. Не рухайтесь вверх і вниз.
- Будьте обережні, наближаючись до прихованих кутів та предметів, які можуть закривати поле зору.

- Використовуйте виріб лише для скошування трав'яних газонів. Заборонено використовувати виріб для інших цілей.
- Використовуйте засоби індивідуального захисту. Див. *Засоби індивідуального захисту на сторінці 376*.
- Дізнайтеся, як швидко зупинити двигун в екстреній ситуації.
- Забороняється запускати двигун у закритому приміщенні або поблизу легкозаймистих матеріалів. Вихлопні дими мають високу температуру й можуть містити іскри, що можуть призвести до травм.
- Забороняється використовувати виріб без правильно встановленого леза та всіх кожухів. Неправильно встановлене лезо може від'єднатися й призвести до травм.
- Слідкуйте, щоб лезо не зачіпляло сторонні предмети на кшталт каміння та коріння. Це може призвести до пошкодження леза та згинання вала двигуна. Зігнута вісь викликає значні вібрації та призводить до ризику від'єднання леза від виробу.
- У разі удару леза об будь-який сторонній предмет чи появи вібрації негайно зупиніть виріб. Від'єднайте провід запалювання від свічки запалювання. Перевіряйте виріб на наявність пошкоджень. Виправляйте пошкодження або здавайте виріб на ремонт в авторизований центр обслуговування.
- Забороняється закріплювати ручку зупинення двигуна на рукоятці, коли працює двигун.
- Поставте виріб на тверду рівну поверхню та вимкніть його. При цьому лезо не повинно торкатися землі або інших предметів.
- Під час роботи з виробом завжди залишайтеся позаду нього.
- Під час роботи з виробом усі колеса мають залишатися на землі, а обидві руки треба тримати на ручці. Тримайте руки та ноги на відстані від лез, що обертаються.
- Не нахиляйте виріб, коли двигун увімкнений.
- Будьте обережні під час руху у зворотному напрямку.
- Забороняється піднімати виріб коли двигун увімкнений. Якщо виріб треба підняти, спочатку вимкніть двигун та від'єднайте провід запалювання від свічки запалювання.
- Не рухайтесь у зворотному напрямку під час роботи з виробом.
- Вимикайте двигун під час руху через ділянки без трави на кшталт доріжок із гравію, каменю або асфальту.
- Не бігайте з виробом, коли двигун увімкнений. Під час роботи з виробом необхідно ходити зі звичайною швидкістю.

Техніка безпеки



ПОПЕРЕДЖЕННЯ: Перш ніж розпочати використання виробу,

- Вимикайте двигун, перш ніж змінювати висоту різання. Забороняється виконувати регулювання при ввімкненому двигуні.
- Забороняється залишати виріб без нагляду коли двигун працює. Зупиніть двигун та переконайтеся, що ріжуче обладнання не обертається.

Правила техніки безпеки під час використання

Засоби індивідуального захисту



ПОПЕРЕДЖЕННЯ: Перш ніж розпочати використання виробу, уважно прочитайте наведені нижче попередження.

- Особисте захисне спорядження не може повністю усунути небезпеку травмування, але при нещасному випадку воно знизить ступінь важкості травми. Дозвольте дилеру допомогти вам із вибором підходящого обладнання.
- Використовуйте засоби захисту органів слуху, якщо рівень шуму перевищує 85 дБ.
- Використовуйте взуття із захистом від ковзання для роботи у важких умовах. Забороняється використовувати відкрите взуття або працювати взагалі без нього.
- Використовуйте цупкі довгі штани.
- За потреби використовуйте рукавички, наприклад, якщо необхідно приєднати, оглянути або почистити різальне обладнання.

Запобіжне обладнання на виробі



ПОПЕРЕДЖЕННЯ: Перш ніж розпочати використання виробу, уважно прочитайте наведені нижче попередження.

- Не використовуйте виріб із запобіжними пристроями, які пошкоджені або не працюють належним чином.
- Регулярно перевіряйте захисні пристрої. Якщо запобіжні пристрої пошкоджені або не працюють належним чином, зверніться до центру обслуговування Husqvarna.
- Не вносьте зміни до захисних пристроїв.

Перевірка кожуха леза

Кожух леза частково поглинає вібрацію виробу та знижує небезпеку травмування лезом.

- Огляньте кожух леза та переконайтеся, що він не має пошкоджень на кшталт тріщин.

Перевірка кожуха паса

Кожух паса зменшує ризик травмування й запобігає вискакуванню розірваного приводного паса.

- Переконайтеся, що кожух паса не пошкоджено й правильно встановлено. (Мал. 15)

Ручка зупинення двигуна

Ручка зупинення двигуна зупиняє двигун. За відпускання ручки зупинення двигуна він зупиняється.

Щоб перевірити роботу гальма двигуна, запустіть двигун, а потім відпустіть ручку зупинення. Якщо двигун не зупиняється протягом 3 секунд, необхідно передати виріб в авторизований центр обслуговування Husqvarna для налаштування гальма двигуна.

(Мал. 16)

Перевірка системи поглинання вібрації



ПОПЕРЕДЖЕННЯ: Надмірний вплив вібрації може ушкодити нервову систему або систему кровообігу в людей, які мають погіршений кровообіг. Якщо у вас проявляються симптоми надмірного впливу вібрації, зверніться по медичну допомогу. До таких симптомів належать: оніміння, втрата чутливості, пощипування, поколювання, біль, втрата сили, зміни кольору або стану шкіри. Зазвичай ці симптоми проявляються в пальцях, руках і зап'ястках.

Система поглинання вібрації знижує вібрацію в ручці під час роботи.

Сталева трубка в рукоятці й кожусі леза знижує вібрацію. KLIPPO LB 548SQe оснащено 4 елементами поглинання вібрації, прикріпленими до рукоятки.

- Перевірте рукоятку й елементи поглинання вібрації, щоб переконатися у відсутності пошкоджень. (Мал. 17)

Опора леза

Опора леза знижує ризик того, що вал двигуна зігнеться. У разі удару леза об будь-який сторонній предмет лезо рухатиметься в напрямку опори леза. Цей рух є причиною зношення поверхні опори леза. Зношення вказує на те, що захист вала двигуна працює правильно.

Глушник

Глушник зменшує рівень шуму та відводить вихлопні гази подалі від оператора.

Не використовуйте виріб із пошкодженим глушником або взагалі без глушника. Пошкоджений глушник збільшує рівень шуму та підвищує небезпеку загоряння.



ПОПЕРЕДЖЕННЯ: Під час роботи виробу та відразу після роботи, а також під час роботи двигуна на холостих обертах глушник сильно нагрівається. Зважайте на легкозаймисті матеріали та/або випари, щоб не допустити пожежі.

Перевірка глушника

- Регулярно оглядайте глушник, стежте, щоб він був правильно під'єднаний та справний.

Заходи безпеки під час роботи з паливом



ПОПЕРЕДЖЕННЯ: Перш ніж розпочати використання виробу, уважно прочитайте наведені нижче попередження.

- Не запускайте виріб, якщо на ньому залишилося пальне або моторна олива. Приберіть непотрібне пальне/оливу та дайте виробу просохнути.
- Якщо ви пролили пальне на свій одяг, негайно переодягніться.
- Не допускайте потрапляння пального на тіло, адже це може призвести до травм. Для видалення пального, що потрапило на тіло, використовуйте мило та воду.
- Не запускайте виріб у разі наявності протікання у двигуні. Регулярно перевіряйте двигун на протікання.
- Будьте обережні при поводженні з паливом. Пальне є легкозаймистою речовиною, а його пари вибухонебезпечні та можуть призвести до травм або смерті.
- Не вдихайте вихлопні гази, це може призвести до травм. Забезпечте належне провітрювання.
- Не паліть біля пального або двигуна.
- Не кладіть біля пального або двигуна теплі предмети.
- Не доливайте пальне в працюючий виріб.
- Перед заправленням переконайтеся, що двигун охолонув.
- Перед заправленням повільно відкрийте кришку паливного бака, обережно зменшивши тиск.
- Не заправляйте виріб у приміщенні. Недостатнє провітрювання може призвести до травм або

смерті внаслідок задухи чи отруєння монооксидом вуглецю.

- Затягуйте кришку паливного бака повністю. Якщо кришку паливного бака не затягнуто, існує ризик виникнення пожежі.
- Перед запуском пересуньте виріб щонайменше на 3 м від місця, де ви заправляли його.
- Не заповнюйте паливний бак повністю. Під впливом високої температури паливо розширюється. Залиште трохи вільного місця вгорі бака.

Правила техніки безпеки під час обслуговування



ПОПЕРЕДЖЕННЯ: Перш ніж розпочати використання виробу, уважно прочитайте наведені нижче попередження.

- Вихлопні гази з двигуна містять монооксид вуглецю, отруйний та дуже небезпечний газ без запаху. Забороняється заводити виріб у приміщенні чи в замкнутому просторі.
- Перед тим, як почати технічне обслуговування виробу, вимкніть двигун та від'єднайте провід запалювання від свічки запалювання.
- Під час технічного обслуговування різального обладнання використовуйте захисні рукавиці. Лезо дуже гостре, ним можна легко порізатися.
- Встановлення аксесуарів, виготовлених не виробником, або внесення змін, не затверджених ним, може призвести до серйозної травми чи смерті. Вносити зміни в виріб забороняється. Використовуйте лише сертифіковані виробником аксесуари.
- Якщо не проводити правильне та регулярне технічне обслуговування, виникає небезпека травм та пошкодження виробу.
- Виконуйте технічне обслуговування лише так, як це наведено в цьому посібнику користувача. Будь-які інші види обслуговування повинні проводитися в авторизованому центрі обслуговування Husqvarna.
- Регулярне обслуговування виробу може проводити авторизований центр обслуговування Husqvarna.
- Замінійте пошкоджені, зношені або зламані деталі.

Збирання

Вступ



ПОПЕРЕДЖЕННЯ: Перед монтажем виробу обов'язково прочитайте й усвідомте зміст розділу про заходи безпеки.



ПОПЕРЕДЖЕННЯ: Перед збиранням виробу необхідно від'єднати кабель від свічки запалювання.

Збирання й регулювання рукоятки

1. Зніміть гайку ручки й шайбу з пластины на верхній ручці.
2. Переведіть верхню ручку в положення на верхній частині нижньої ручки.



УВАГА: Переконайтеся в тому, що дроти не затиснуті й не пошкоджені.

3. Прикріпіть шайбу й гайку ручки. (Мал. 18)
4. Коли ви використовуєте виріб біля стіни, поверніть ручку вбік, аби працювати було зручніше. (Мал. 19)
5. Поверніть регулювальні колеса на рамі, щоб відрегулювати рукоятку вертикально. (Мал. 20)

Монтаж заглушки для мульчування (KLIPPO LB 448S, KLIPPO LB 448SQ, KLIPPO LB 548SQe)

1. Нахиліть виріб назад свічкою запалювання вгору.
2. Вставте штифти заглушки для мульчування в отвори з внутрішньої сторони кожуха леза. (Мал. 21)
3. Прикріпіть гвинти заглушки для мульчування із зовнішньої сторони кожуха леза. (Мал. 22)

Експлуатація

Вступ



ПОПЕРЕДЖЕННЯ: Перед експлуатацією виробу обов'язково прочитайте й усвідомте зміст розділу про заходи безпеки.

Husqvarna Connect

Husqvarna Connect є безкоштовною програмою для мобільного пристрою. У програмі Husqvarna Connect доступна ціла низка розширених функцій для користування Husqvarna:

- розширена інформація про виріб;
- відомості про деталі й обслуговування виробу, а також довідкова інформація.

Щоб почати користуватися Husqvarna Connect

1. Завантажте програму Husqvarna Connect на свій мобільний пристрій.
2. Зареєструйтеся в програмі Husqvarna Connect.
3. Виконайте кроки з реєстрації в програмі Husqvarna Connect, щоб під'єднати та зареєструвати виріб.

Перед початком роботи з виробом

1. Уважно прочитайте посібник користувача та переконайтеся, що ви зрозуміли всі вказівки.
2. Огляньте різальне обладнання та переконайтеся, що воно правильно встановлено та налаштовано. Див. *Перевірка різального обладнання на сторінці 381*.
3. Наповніть паливний бак. Див. *Заправлення паливом на сторінці 378*.
4. Наповніть паливний бак та перевірте рівень оливи. Див. *Перевірка рівня оливи на сторінці 382*.

Заправлення паливом

Якщо є можливість, використовуйте бензин з низьким рівнем викидів/бензин-алкілат. Якщо можливості використовувати бензин з низьким рівнем викидів/бензин-алкілат немає, використовуйте якісний неетилований бензин або етилований бензин із октановим числом не менше 90.



УВАГА: Не використовуйте бензин із октановим числом нижче 90 RON (87 AKI). Це може призвести до пошкодження виробу.

1. Повільно відкрутіть кришку паливного бака, щоб вивільнити тиск.

2. Повільно влийте пальне з каністри. У разі проливання пального витріть його ганчіркою або дайте йому висохнути. (Мал. 23)
3. Витріть поверхню біля кришки паливного бака.
4. Затягуйте кришку паливного бака повністю. Якщо кришку паливного бака не затягнуто, існує ризик виникнення пожежі.
5. Перед запуском пересуньте виріб на 3 м від місця, де ви заправляли його.

Налаштування висоти різання

Можна встановити 6 різних рівнів висоти різання.

1. Для збільшення висоти різання потягніть важіль регулювання висоти різання вперед.
2. Для зменшення висоти різання потягніть важіль регулювання висоти різання назад.



УВАГА: Не встановлюйте занадто низьку висоту різання. Леза можуть зачепити землю, якщо поверхня газону буде нерівною.

Запуск виробу

1. Переконайтеся, що провід запалювання під'єднаний до свічки запалювання.
2. Відкрийте клапан подачі палива. (Мал. 24)
3. Залишайтеся позаду виробу.
4. Утримуйте ручку зупинення двигуна біля рукоятки. (Мал. 25)
5. Утримуйте ручку троса стартера правою рукою.
6. Повільно потягніть ручку троса стартера доки не відчуєте деякий спротив.
7. Потягніть шнур сильно, щоб запустити двигун.



ПОПЕРЕДЖЕННЯ: Не намотуйте трос стартера на руку.



УВАГА: Не витягайте трос стартера повністю. Не відпускайте ручку троса стартера, коли трос повністю витягнуто.

Підключення приводу до коліс

- Опустіть важіль приводу. (Мал. 26)
- Перш ніж рухати виріб у зворотному напрямку, розчепіть привід і штовхніть виріб вперед приблизно на 10см.
- Злегка відпустіть ручку зупинення двигуна, щоб розчепити привід, наприклад у разі наближення до перешкоди.

Зупинення виробу

- Щоб зупинити лише привід, злегка відпустіть рукоятку гальма двигуна.
- Щоб зупинити двигун, необхідно повністю відпустити ручку зупинення двигуна.
- Закрийте клапан подачі палива. (Мал. 27)

Забезпечення ефективної роботи

- Завжди користуйтеся гострим лезом. Тупе лезо різє нерівно, а трава на поверхні розрізу жовтіє. Крім того, гостре лезо споживає менше енергії за тупе.
- Не скошуйте більше $\frac{1}{3}$ довжини трави. Спочатку треба виконувати скошування з великою висотою різання. Оцініть результат і зменште висоту зрізання на потрібну вам. Якщо трава дуже довга, ведіть газонокосарку повільно і виконайте скошування двічі, якщо це необхідно.
- Косіть щоразу в різних напрямках, щоб на газоні не було смуг.
- Тримайте кожух леза в чистоті. Скупчення трави й бруду на внутрішньому боці кожуха леза може негативно вплинути на результат роботи. Див. *Чищення зовнішніх поверхонь виробу на сторінці 380.*

ТЕХНІЧНЕ ОБСЛУГОВУВАННЯ

Вступ



ПОПЕРЕДЖЕННЯ: Перед виконанням робіт із технічного обслуговування обов'язково прочитайте й усвідомте зміст розділу про заходи безпеки.

Для всіх робіт з обслуговування та ремонту необхідна спеціальна підготовка. Ми гарантуємо доступність послуг із професійного ремонту та обслуговування. Якщо ваш дилер не є агентом з обслуговування, зверніться до нього по інформацію щодо найближчого центру обслуговування.

Для отримання більш детальної інформації див. www.husqvarna.com.

Графік технічного обслуговування

Інтервали технічного обслуговування зазначено з урахуванням щоденного використання виробу. Інтервали змінюються для іншої частоти використання виробу.

Інформацію щодо технічного обслуговування елементів, позначених знаком *, див. у *Запобіжне обладнання на виробі на сторінці 376.*

Технічне обслуговування	Щодня	Щотижня	Щомісяця
Загальна перевірка	X		
Перевірка рівня оливи	X		
Очищення виробу	X		
Почистьте повітряний фільтр	X		
Перевірка різального обладнання	X		
Перевірка кожуха леза*	X		
Перевірка ручки зупинення двигуна*	X		
Перевірка глушника*		X	
Перевірка свічки запалювання		X	
Огляньте приводний пас на наявність пошкоджень			X
Очищення корпусу редуктора			X
Для KLIPPO LB 448S, KLIPPO LB 453S. Заміна оливи (перший раз через 5 годин експлуатації, далі – кожні 25 годин експлуатації)			X
Для KLIPPO LB 448SQ, KLIPPO LB 453SQ, KLIPPO LB 548SQe. Заміна оливи (перший раз через 5 годин експлуатації, далі – кожні 100 годин експлуатації)			X
Замініть повітряний фільтр			X
Перевірка паливної системи			X
Перевірка та налаштування приводу (дріт зчеплення)			X

Процедура загальної перевірки

- Переконайтеся, що всі гайки й гвинти на виробі затягнуто відповідним чином.

Чищення зовнішніх поверхонь виробу

- Прибійте листя, траву та бруд за допомогою щітки.
- Переконайтеся, що всмоктувач повітря зверху двигуна не заблокований.
- Для чищення виробу не використовуйте миючий апарат високого тиску.
- У разі використання води для чищення виробу, забороняється лити її безпосередньо на двигун.

Чищення внутрішніх поверхонь кожуха леза

1. Покладіть виріб на бік глушником донизу.



УВАГА: Якщо покласти виріб повітряним фільтром донизу, може виникнути ризик пошкодження двигуна.

2. Промийте водою зі шлангу внутрішню поверхню кожуха леза.

Перевірка приводного паса й очищення корпусу редуктора

1. Видаліть 4 гвинта на кожусі паса й зніміть кожух паса. (Мал. 28)
2. Перевірте приводний пас і шків на наявність пошкоджень.
3. Щіткою приберіть із корпусу редуктора листя, траву й бруд. (Мал. 29)

Заміна й регулювання приводного паса

1. Видаліть 4 гвинта на кожусі паса й зніміть кожух паса. (Мал. 28)
2. Вставте пласку викрутку між ковпаком і колесом на правому передньому колесі виробу.
3. Обережно перевірте викрутку, щоб видалити ковпак.
4. Викрутіть болт кріплення колеса й зніміть колесо. (Мал. 30)
5. Зніміть приводний пас зі шківів паса.

6. Переконайтеся в тому, що шків паса легко рухаються на осі.
7. Якщо необхідно, нанесіть оливу з високою проникною здатністю між шківми паса й позаду них і змастіть вісь.
8. Перед регулюванням приводного паса правильно встановіть і прикріпіть новий приводний пас на кульковий підшипник. (Мал. 31)
9. Зруште кульковий підшипник угору або вниз, щоб відрегулювати приводний пас. (Мал. 32)

Зверніть увагу: Новий приводний пас стає довшим після використання. Після декількох годин роботи знову відрегулюйте приводний пас.

10. Установіть кожух паса.
11. Запустіть пристрій, щоб переконатися в тому, що приводний пас правильно встановлено й відрегульовано.

Заміна й регулювання центрального паса

1. Зніміть лезо.

Зверніть увагу: Цей крок не потрібний, коли ви лише регулюєте центральний пас.

2. Послабте регулювальні гвинти на кілька обертів, але не видаляйте їх. (Мал. 33)
3. Замініть центральний пас і помірно затягніть регулювальні гвинти.

Зверніть увагу: Цей крок не потрібний, коли ви лише регулюєте центральний пас.

4. Зруште редуктор уперед або назад, щоб відрегулювати центральний пас. (Мал. 34)
5. Щоб перевірити натяг центрального паса, скористайтеся вагами з гаком. Пас правильно натягнуто, якщо він може рухатися на 6–10 мм у центрі. Це еквівалентно тязі 3 кг. (Мал. 35)
6. Повністю затягніть регулювальні гвинти з моментом 3 Н·м.
7. Запустіть пристрій, щоб переконатися в тому, що приводний пас правильно встановлено й відрегульовано.

Перевірка різального обладнання



ПОПЕРЕДЖЕННЯ: Зніміть провід запалювання зі свічки запалювання, щоб попередити ненавмисний запуск.



ПОПЕРЕДЖЕННЯ: Під час технічного обслуговування різального обладнання використовуйте захисні

рукавиці. Лезо дуже гостре, ним можна легко порізатися.

1. Перевірте різальне обладнання на наявність пошкоджень або тріщин. Обов'язково замінійте пошкоджене різальне обладнання.
2. Огляньте лезо на предмет пошкоджень або затуплення.

Зверніть увагу: Після гостріння леза необхідно відрегулювати його баланс. Гостріння, заміну та балансування леза необхідно проводити в центрі обслуговування. У разі потраплення на перешкоду, що призвела до зупинки двигуна, замініть пошкоджене лезо. Спеціалісти центру обслуговування мають провести оцінювання стану леза та надати консультацію щодо необхідності його гостріння або заміни.

Заміна ножа

1. Зафіксуйте лезо дерев'яним брусом. (Мал. 36)
2. Видаліть болт леза, пружинну шайбу й лезо. (Мал. 37)
3. Перевірте опору леза й болт леза на наявність пошкоджень.
 - а) Якщо ви замінюєте лезо або опору леза, також слід замінювати болт леза, пружинну шайбу й фрикційну шайбу.
4. Перевірте вал леза на наявність згинання.
5. Під час установлення нового леза переконайтеся, що зігнуті кінці леза направлені в напрямку кожуха леза. (Мал. 38)
6. Установіть фрикційну шайбу й лезо на опору леза. (Мал. 39)
7. Переконайтеся в тому, що лезо суміщене із центром вала двигуна. (Мал. 40)
8. Зафіксуйте лезо дерев'яним брусом. (Мал. 41)
9. Установіть пружинну шайбу й затягніть болт із моментом 80 Н·м. (Мал. 42)
10. Прокрутіть лезо рукою й переконайтеся в тому, що воно вільно обертається.



ПОПЕРЕДЖЕННЯ:

Використовуйте захисні рукавички. Лезо дуже гостре, ним можна легко порізатися.

11. Запустіть виріб, щоб перевірити роботу леза. У разі неправильного встановлення леза у виріб буде спостерігатися вібрація або результат скошування буде незадовільний.

Перевірка рівня оливи



УВАГА: Занадто низький рівень оливи може спричинити пошкодження двигуна. Перед запуском виробу необхідно перевіряти рівень оливи.

1. Установіть виріб на рівній поверхні.
2. Зніміть кришку бака для оливи за допомогою під'єданого вимірювального стрижня.
3. Усуньте оливу з вимірювального стрижня.
4. Повністю вставте вимірювальний стрижень у бак для оливи. Затягніть кришку бака для оливи, щоб отримати достовірне уявлення про рівень оливи.
5. Вийміть вимірювальний стрижень.
6. Перевірте рівень оливи на вимірювальному стрижні.
7. Якщо рівень оливи занижений, залийте моторну оливу й перевірте рівень ще раз.

(Мал. 43)

Зверніть увагу: Для запобігання проливання скористайтеся лійкою.

Заміна моторної оливи



ПОПЕРЕДЖЕННЯ: Відразу після заправки двигуна моторна олива є дуже гарячою. Дайте двигуну охолонути, перш ніж зливати моторну оливу. Якщо моторна олива потрапить на шкіру, промийте цю ділянку водою з милом.

(Мал. 44)

1. Витягніть провід запалювання зі свічки запалювання.
2. Зніміть кришку бака для оливи.
3. Злийте моторну оливу.
 - a) Для моделей із пробкою зливного отвору: помістіть під пробку зливного отвору посудину для збору моторної оливи.
 - b) Для моделей без пробки зливного отвору або якщо під пробку зливного отвору неможливо помістити посудину: зливайте моторну оливу з масляного бака, використовуючи оливний насос (приладдя).
4. Залийте свіжу моторну оливу рекомендованого типу, указанного в розділі *Технічні характеристики на сторінці 384*.
5. Перевірте рівень оливи. Дивіться розділ *Перевірка рівня оливи на сторінці 382*.

Повітряний фільтр

Зверніть увагу: Неможливо повністю очистити повітряний фільтр, який використовувався протягом довгого часу. Регулярно замінюйте повітряний фільтр. Пошкоджений повітряний фільтр необхідно замінювати обов'язково.

Установлення й виймання повітряного фільтра (KLIPPO LB 488SQ, KLIPPO LB 453SQ, KLIPPO LB 548Qe)



ПОПЕРЕДЖЕННЯ:

Використовуйте захисні рукавиці.

1. Натисніть на затискачі кришки повітряного фільтра.
2. Обережно зніміть кришку повітряного фільтра (A) з двигуна.
3. Зніміть повітряний фільтр (B) і поролоновий фільтр (C). (Мал. 45)
4. Перевірте повітряний фільтр на наявність пошкоджень. Пошкоджений повітряний фільтр необхідно замінити.
5. Почистьте й перевірте повітряний фільтр. Дивіться розділ *Очищення повітряного фільтра (KLIPPO LB 448SQ, KLIPPO LB 453SQ, KLIPPO LB 548Qe) на сторінці 382*.
6. Для встановлення виконайте вказівки вище у зворотному порядку.

Очищення повітряного фільтра (KLIPPO LB 448SQ, KLIPPO LB 453SQ, KLIPPO LB 548Qe)



УВАГА: Заборонено експлуатувати виріб без повітряного фільтра або якщо фільтр забруднений.



УВАГА: Якщо фільтр не можна повністю очистити або він має пошкодження, замініть його. Пошкоджений повітряний фільтр спричиняє пошкодження двигуна.

1. Натисніть на засувки (A), зніміть кришку повітряного фільтра (B) і вийміть сам фільтр (C). (Мал. 46)
2. Постукайте повітряним фільтром об тверду поверхню або продуйте стисненим повітрям із чистої сторони.



УВАГА: Не використовуйте щітку для очищення, адже це просуває бруд усередину фільтра.

- Очистьте тримач повітряного фільтра (D) і кришку фільтра вологою ганчіркою.



УВАГА: Переконайтеся, що в повітропровід (E) не потрапляє бруд.

- Установіть повітряний фільтр. Переконайтеся, що повітряний фільтр щільно сів на тримач фільтра.
- Установлюйте кришку повітряного фільтра спершу нижніми засувками.

Очищення повітряного фільтра (KLIPPO LB 448S, KLIPPO LB 453S)



УВАГА: Заборонено експлуатувати виріб без повітряного фільтра або якщо фільтр забруднений.



УВАГА: Якщо фільтр не можна повністю очистити або він має пошкодження, замініть його. Пошкоджений повітряний фільтр спричиняє пошкодження двигуна.

- Натисніть на засувки (A), зніміть кришку повітряного фільтра (B) і вийміть сам фільтр (C). (Мал. 47)
- Постукайте повітряним фільтром об тверду поверхню або продуйте стисненим повітрям із чистої сторони.



УВАГА: Не використовуйте щітку для очищення, адже це просуває бруд усередину фільтра.

- Очистьте тримач повітряного фільтра (D) і кришку фільтра вологою ганчіркою.



УВАГА: Переконайтеся, що в повітропровід (E) не потрапляє бруд.

- Установіть повітряний фільтр. Переконайтеся, що повітряний фільтр щільно сів на тримач фільтра.
- Установлюйте кришку повітряного фільтра спершу нижніми засувками.

Перевірка свічки запалювання



УВАГА: Завжди користуйтеся рекомендованими свічками запалення. Неправильний тип свічки запалювання може призвести до пошкодження виробу.

- У разі, якщо двигун втрачає потужність, його важко запустити або він погано працює на холостому ходу, необхідно перевірити свічку запалювання.
- Щоб зменшити ризик потраплення зайвих предметів на електроди свічки запалювання, дотримуйтеся таких інструкцій:
 - переконайтеся, що швидкість холостого ходу встановлено правильно;
 - переконайтеся в правильності змішування паливної суміші;
 - переконайтеся, що повітряний фільтр чистий.
- Якщо свічка запалювання забруднена, її слід очистити й переконатися в тому, що між електродами встановлено правильний проміжок (див. *Технічні характеристики на сторінці 384*). (Мал. 48)
- За необхідності замініть свічку запалювання.

Перевірка паливної системи

- Перевірте кришку паливного бака та її ущільнювач на предмет пошкоджень.
- Перевірте шланг подачі пального на предмет протікань. У разі пошкодження шланга подачі пального замініть його в центрі обслуговування.

Регулювання дроту зчеплення

Якщо відчувається, що привід працює повільно, треба відрегулювати дріт зчеплення.

- Поверніть регулювальний гвинт. (Мал. 49)

Дріт зчеплення відрегульовано правильно, коли скобу дроту зчеплення вирівняно відносно гайки.

(Мал. 50)

Транспортування, зберігання й утилізація

Транспортування та зберігання

- У разі транспортування та зберігання виробу та пального необхідно переконатися у відсутності протікань та випарів. Іскри або відкритий вогонь, наприклад, від електричних пристроїв, можуть спричинити пожежу.
- Для зберігання та транспортування палива слід використовувати лише сертифіковані резервуари.

- Спорожніть паливний бак у разі, якщо виріб зберігатиметься протягом тривалого часу. Утилізуйте паливо у відповідних місцях для утилізації
- Під час транспортування закріплюйте виріб безпечним чином, щоб уникнути пошкоджень та нещасних випадків.

- Зберігайте виріб у закритому приміщенні, куди не зможуть отримати доступ діти та особи без належної підготовки.
- Зберігайте виріб у сухому місці за температури нижче 0 градусів.

- Утилізуйте всі хімічні речовини на кшталт моторної оливи або палива в центрі обслуговування або у відповідних місцях для утилізації.
- Якщо виріб більше не використовується, відправте його дилеру Husqvarna або утилізуйте у відповідному місці для утилізації.

Утилізація

- Виконуйте місцеві вимоги та відповідні норми і правила щодо утилізації.

Технічні характеристики

Технічні характеристики

	KLIPPO LB 448S	KLIPPO LB 448SQ	KLIPPO LB 453S	KLIPPO LB 453SQ	KLIPPO LB 548SQe
Двигун					
Бренд	Honda	Husqvarna	Honda	Husqvarna	Husqvarna
Модель	GCVX-145	HS 166AP	GCVx-170	HS 166AP	HS 166AP
Тип двигуна	Одноциліндровий, 4-тактний, примусове повітряне охолодження, клапан розташований зверху	Одноциліндровий, 4-тактний, примусове повітряне охолодження, клапан розташований зверху	Одноциліндровий, 4-тактний, примусове повітряне охолодження, клапан розташований зверху	Одноциліндровий, 4-тактний, примусове повітряне охолодження, клапан розташований зверху	Одноциліндровий, 4-тактний, примусове повітряне охолодження, клапан розташований зверху
Об'єм, см ³	145	166	166	166	166
Частота обертання, об./хв	2900	2900	2900	2900	2900
Номинальна потужність двигуна, кВт ¹³⁶	2,7	2,75	3,3	2,75	2,75
Система запалювання					
Свічка запалювання	NGK BPR5ES	Husqvarna HQT-7	NGK BPR5ES	Husqvarna HQT-7	Husqvarna HQT-7
Проміжок між електродами, мм	0,7–0,8	0,7–0,8	0,7–0,8	0,7–0,8	0,7–0,8
Паливна система й система змащування					
Тип змащування двигуна	Бризкання	Бризкання	Бризкання	Бризкання	Бризкання
Об'єм паливного бака, л	0,9	1,5	0,9	1,5	1,5
Об'єм бака для оливи, л	0,5	0,5	0,55	0,5	0,5

¹³⁶ Указана номінальна потужність двигуна є середньою кінцевою потужністю (за вказаного числа обертів на хвилину) типового серійного двигуна для цієї моделі, виміряною згідно зі стандартом SAE J1349/ISO1585. Потужність серійних двигунів може відрізнятися від цього значення. Фактична вихідна потужність двигуна, встановленого у виробі, залежить від робочої швидкості, умов навколишнього середовища та інших факторів.

	KLIPPO LB 448S	KLIPPO LB 448SQ	KLIPPO LB 453S	KLIPPO LB 453SQ	KLIPPO LB 548SQe
Моторна олива ¹³⁷	Husqvarna SAE 30	Husqvarna SAE 30	Husqvarna SAE 30/SAE 10W-30	Husqvarna SAE 30/SAE 10W-30	Husqvarna SAE 30/SAE 10W-30
Маса					
Маса з порожніми баками, кг	30,5	32,5	33	33,5	34,5
Випромінювання шуму ¹³⁸					
Рівень звукової потужності, дБ (А)	90	93	91	94	92
Гарантований рівень звукової потужності, L _{WA} дБ(А)	91	93	94	95	93
Рівні звуку ¹³⁹					
Рівень звукового тиску у вусі оператора, дБ(А)	77	79	78	81	79
Рівні вібрації, a_{hveq} ¹⁴⁰					
Ручка, м/с ²	4,5	4,2	5,3	6,4	4,0
Різальне обладнання					
Висота зрізання, мм	30–60	30–60	30–60	30–60	30–60
Ширина зрізання, мм	480	480	530	530	480
Лезо	Мульчування – 48 см	Мульчування – 48 см	Мульчування – 53 см	Мульчування – 53 см	Мульчування – 48 см
	5028813-10	5028813-10	5028814-10	5028814-10	5028813-10
Привод					
Швидкість, км/год	4,5	4,5	4,5	4,5	4,5

¹³⁷ У разі використання оливи SAE-30 за температури нижче +5 °C існує ризик недостатнього змащування двигуна. Це може призвести до пошкодження двигуна. Дивіться розділ *Заміна моторної оливи на сторінці 382* для отримання відомостей щодо оливи для низьких температур.

¹³⁸ Випромінювання шуму в середовище, виміряне як звукова потужність (L_{WA}), відповідає директиві ЄС 2000/14/ЄС.

¹³⁹ Рівень шумового тиску відповідає стандарту ISO 5395. Заявлені дані про рівень звукового тиску мають стандартну статистичну розбіжність (стандартне відхилення) у 1,2 дБ(А).

¹⁴⁰ Рівень вібрації відповідає стандарту ISO 5395. Заявлені дані щодо рівня вібрації мають стандартну статистичну розбіжність (стандартне відхилення) у 0,2 м/с².

Декларація відповідності

Декларація відповідності ЄС

Ми, компанія **Husqvarna AB**, SE-561 82 Huskvarna, Швеція, тел.: +46-36-146500, заявляємо під свою виключну відповідальність, що представлений виріб:

Опис	Газонокосарка
Бренд	Husqvarna
Тип / модель	KLIPPO LB 448S, KLIPPO LB 453S, KLIPPO LB 448SQ, KLIPPO LB 453SQ, KLIPPO LB 548SQe
Ідентифікація	Серійні номери за 2022 рік і пізніше

повністю відповідає таким директивам і нормам ЄС:

Директива/норма	Опис
2006/42/EC	«Про механічне обладнання»
2014/30/EU	«Про електромагнітну сумісність»
2000/14/EC	«Про виділення шуму в навколишнє середовище»
2011/65/EU	«Про обмеження використання деяких небезпечних речовин в електричному й електронному обладнанні»

і що до нього застосовуються вказані далі узгоджені стандарти та (або) технічні специфікації: EN ISO 5395-1:2013/A1:2018, EN ISO 5395-2:2013/A1:2016/A2:2017, EN ISO 14982:2009, EN IEC 63000:2018.

Уповноважений орган: Компанія 0404, RISE SMP Svensk Maskinprovning AB, Box 4053, SE-904 03 Umeå, Sweden. підтвердила відповідність директиві ради ЄС 2000/14/EC, процедура оцінки відповідності: Додаток VI.

Відомості стосовно випромінювання шуму дивіться в розділі *Технічні характеристики на сторінці 384.*

Husqvarna, 2023-02-07



Клас Лосдал (Claes Losdal), директор із питань розвитку / продукції для садівництва, Husqvarna AB

Відповідальний за технічну документацію



内容

引言.....	387	维护.....	391
安全性.....	388	运输、存放和废弃处理.....	395
安装.....	390	技术参数.....	395
操作.....	390	一致性声明.....	397

引言

产品说明

本产品是一款步行控制旋转式割草机，可使用 BioClip® 刀片将草料切割成肥料。

产品概览

(图 1)

1. 手柄/手柄杆
2. 引擎制动手柄
3. 驱动拨杆
4. 启动绳把手
5. 油箱盖
6. 皮带保护罩
7. 消音器
8. 火花塞
9. 皮带保护罩
10. 燃油箱
11. 手柄角度调节杆
12. 防振系统
13. 离合器拉线调节
14. 修剪高度杆
15. 燃油阀
16. 空气滤清器
17. 切割防护盖
18. 弹簧垫片
19. 刀片螺栓
20. 刀片
21. 刀片支撑
22. 地面覆盖插件 KLIPPO LB 448S, KLIPPO LB 448SQ, KLIPPO LB 548SQe
23. 操作手册

本产品上的符号

- (图 2) 警告：疏忽或使用不当有可能导致操作员或他人受到伤害或死亡。
- (图 3) 请仔细阅读操作手册，确保在充分理解各项说明之后再使用本产品。
- (图 4) 注意抛掷物和反弹物。
- (图 5) 确保人员和动物与工作区域保持安全距离。

预期用途

使用产品修剪草坪。切勿将产品用于其他任务。

(图 6) 执行维修或维护作业之前，务必将引擎熄火并拆下点火线。

(图 7) 警告：保持手脚远离回转部件。

(图 8) 警告：保持手脚远离正在旋转的刀片。

(图 9) 本产品符合适用的 EC 指令的要求。

(图 10) 本产品符合适用的英国法规。

(图 11) 本产品符合适用的欧亚关税同盟 (Eurasian Customs Union) 指令。仅适用于 KLIPPO LB 448S & KLIPPO LB 453S。

(图 12) 对环境的噪音排放的标签符合欧盟指令、英国指令和新南威尔士州法规“2017 年环境行动（噪音控制）保护法规”的要求。本产品的保证声功率级详见 *技术参数* 在 *第 395 页* 上和标签。

(图 13) 可扫描代码。

注意：有关本产品上的其他符号/标识，请参阅市场特定的法律要求。

产品上的标识 (仅适用于澳大利亚和新西兰)

(图 14)

使手和脚远离正在旋转的刀片。

欧五排放



警告：对发动机进行篡改将使本产品的 EU 型式检验失效。

产品责任

如产品责任法律中所引用的，在以下情况下，我们对我们的产品所导致的损坏不承担责任：

- 未正确修理产品。
- 使用并非来自制造商或者未获得制造商批准的零部件修理产品。

- 产品具有并非来自制造商或者未获得制造商批准的附件。
- 未在获得批准的服务中心修理产品，或者并非由获得批准的机构修理产品。

安全性

安全定义

本手册使用了“警告”、“小心”和“注意”来指出特别重要的内容。



警告： 当不遵守手册中的说明可能会给操作员或周围人员带来伤害或死亡风险时，会使用此标志。



小心： 当不遵守手册中的说明可能会对产品、其他材料或附近区域造成损坏时，会使用此标志。

注意： 用于提供特定状况下所需的更多信息。

一般安全须知



警告： 请在使用本产品前阅读下面的警告说明。

- 如果使用不当，或者如果您不小心，则本产品非常危险。如果未遵守一般安全须知，可能会导致伤害或死亡。
- 本产品在生产期间会产生电磁场。电磁场在某些情况下会干扰有源或无源医疗植入体。为了减少严重或致命性伤害风险，我们建议使用医疗植入体的人员在操作本产品之前先咨询其医生及医疗植入体制造商。
- 请务必多加小心，并运用常识来判断。如果您不确定在特殊情况下如何操作本产品，请停止操作并与您的 Husqvarna 经销商联系。
- 切记，操作员将对涉及他人或其财产的事故负责。
- 请保持产品清洁。确保您可以清楚地阅读标记和标签。
- 务必确保操作员已阅读并理解说明书的内容，否则不得使用本产品。
- 切勿让儿童操作本产品。
- 请让儿童远离工作区域。成人监督人必须始终在场。
- 切勿让不熟悉使用说明书的人员操作产品。
- 若使用产品的人员身体能力或心智能力降低，务必对其进行监督。成人监督人必须始终在场。
- 当您感到疲倦、生病或受到酒精、麻醉或药物的影响时，请勿使用本产品。这些因素会对您的视觉、警惕性、协调能力或判断力产生不良影响。
- 请勿使用已损坏或无法正常工作的产品。

- 如果本产品可能被他人改动过，请勿再进行改动或使用。
- 请勿更改引擎速度控制的设置。

工作区安全



警告： 请在使用本产品前阅读下面的警告说明。

- 在使用本产品之前，请清除作业区域中的树枝、枝桠和石头等物体。
- 这些物体碰撞到切割设备会被弹出，导致人员受伤和物体损坏。确保附近人员和动物与本产品保持安全距离。
- 切勿在雾天、雨天、强风、严寒和闪电等恶劣天气下使用本产品。在恶劣天气下或潮湿地点使用本产品容易令人感到疲倦。恶劣天气会导致危险的情况，如湿滑的路面。
- 留意可能妨碍本产品安全运行的人员、物体和情况。
- 留意如树根、石头、枝桠、坑和沟渠等障碍。茂盛的草会隐藏障碍物。
- 在斜坡上割草可能非常危险。不要在坡度超过 15° 的地面上使用本产品。
- 面对斜坡操作本产品。切勿上下移动。
- 在接近隐藏的和物体时请小心谨慎，以免阻碍视线。

作业安全



警告： 请在使用本产品前阅读下面的警告说明。

- 本产品仅用于切割草坪。不允许用于其他任务。
- 使用个人防护装备。请参阅 *个人防护装备* 在第 389 页上。
- 确保您知道在紧急情况下如何快速让引擎停止工作。
- 切勿在封闭空间或易燃物品附近启动引擎。引擎排出的废气浓烟温度很高，并可能带有火花，能引发火灾。
- 除非已正确连接刀片和所有盖板，否则请勿操作本产品。未正确连接的刀片可能松动，导致人身伤害。
- 确保刀片不会碰到石头和树根等物体。这会损坏刀片，并折弯引擎轴。一旦引擎轴折弯，就会导致严重振动，同时刀片松动风险会变得极高。

- 如果刀片碰撞到任何异物或者发生振动，请立即关闭本产品。将点火线从火花塞上断开。检查本产品是否损坏。维修损坏的地方或让授权的保养厂执行维修。
- 启动引擎时，切勿将引擎制动手柄永久连接至手柄。
- 将本产品放置在稳定、平坦的地面上，然后将其启动。确保刀片不会碰撞到地面或其他物体。
- 当您操作本产品时，请始终站在本产品的后面。
- 在操作本产品时使所有车轮接触地面，并将双手放在手柄上。手和脚远离正在旋转的刀片。
- 引擎启动后，切勿倾斜本产品。
- 向后拉动本产品时请小心谨慎。
- 切勿在引擎运行时吊装本产品。如果必须吊装本产品，务必先将引擎熄火，并将点火线从火花塞上断开。
- 在操作本产品时切勿倒退行走。
- 当您在没有草的区域移动时，例如在石砾、石头和沥青道路上移动时，应将引擎熄火。
- 切勿在引擎运行时和本产品一起跑着移动。操作本产品时始终保持步行。
- 在更改修剪高度之前，请先将引擎熄火。切勿在引擎运行时进行调整。
- 切勿在引擎运行时将本产品置于视线以外的地方。将引擎熄火，确保切割设备不转动。

操作安全须知

个人防护装备



警告： 请在使用本产品前阅读下面的警告说明。

- 个人防护装备不能完全避免受伤，但当意外发生时，可降低伤害程度。请经销商协助您选择正确的防护装备。
- 如果噪声级高于 85 dB，请使用听觉保护设备。
- 穿上结实耐磨防滑靴或防滑鞋。请勿穿凉鞋或赤脚。
- 请穿上厚实长裤。
- 必要时戴上保护手套，例如在安装、检查或清洁切割设备时。

产品上的安全装置



警告： 请在使用本产品前阅读下面的警告说明。

- 请勿使用安全装置受损或无法正常工作的产品。
- 定期检查安全装置。如果安全装置受损或无法正常工作，请联系您的 Husqvarna 保养厂。
- 切勿改装安全装置。

检查切割防护盖

切割防护盖可降低本产品产生的振动，并降低被刀片割伤的风险。

- 检查切割防护盖，确保没有损坏，如裂缝。

检查皮带保护罩

皮带保护罩可降低割伤的风险，并确保断裂的驱动皮带不会弹出。

- 确保皮带保护罩没有损坏且已正确安装。(图 15)

引擎制动手柄

引擎制动手柄可让引擎停止运行。当引擎制动手柄松开时，引擎会停止运行。

要检查引擎的制动情况，请启动引擎，然后松引擎制动手柄。如果引擎未能在 3 秒内停止运行，应请许可的 Husqvarna 保养厂调整引擎制动。

(图 16)

检查防振系统



警告： 血液循环不佳的人受到过度振动时，可能会导致血液循环系统或神经受损。如果您因过度振动而引起以下症状，请就医。这些症状包括：麻木、失去知觉、麻刺、刺痛、疼痛、虚弱、肤色或皮肤状况发生变化。这些症状通常出现在手指、双手或手腕上。

防振系统可降低运行期间手柄的振动级别。

手柄杆和切割防护盖中的钢管可降低振动级别。KLIPPO LB 548SQe 的手柄杆上还安装了 4 个减振装置。

- 检查手柄杆和减振装置，以确保没有损坏。(图 17)

刀片支撑

刀片支撑可降低引擎轴折弯的风险。如果刀片碰到物体，刀片会靠着刀片支架移动。移动会造成刀片支撑表面磨损。磨损表示引擎轴的保护功能正常。

消音器

消音器用于最大程度降低噪音，并将引擎的排烟导离操作人员。

如果消音器缺失或损坏，请勿使用本产品。损坏的消音器会增加噪音水平以及火灾风险。



警告： 消音器在使用期间和之后以及当引擎以急速运转时会变得很烫。务必当心附近的易燃材料和/或烟雾，以防引起火灾。

检查消音器

- 定期检查消音器，确保其安装正确且无损坏。

燃油安全须知



警告： 请在使用本产品前阅读下面的警告说明。

- 如果产品上沾染燃油或引擎机油，切勿启动产品。去除多余的燃油/机油，使产品保持干燥。

- 如果燃油溅到衣物上，请立即更换衣物。
- 切勿使身体沾染上燃油，否则可能会导致伤害。如果燃油溅到身上，必须使用肥皂和水洗净。
- 如果引擎发生泄漏，切勿启动产品。定期检查引擎是否有泄漏。
- 请小心处理燃油。燃油易燃，油烟具有爆炸性，并且可能导致伤害或死亡。
- 切勿吸入油烟，它可能导致伤害。确保充分通风。
- 切勿在燃油或引擎附近吸烟。
- 切勿在燃油或引擎附近放置高温物体。
- 切勿在引擎运转期间添加燃油。
- 确保重新加注燃油之前，引擎处于冷却状态。
- 重新加注燃油之前，缓缓打开燃油箱盖，并小心释放压力。
- 切勿在室内为引擎添加燃油。通风不充分情况下，可能由于窒息性气体或一氧化碳的原因而导致伤害或死亡。
- 完全拧紧燃油箱盖。如果燃油箱盖没有拧紧，则有失火的风险。
- 启动之前，将产品从加油位置移开至少 3 米 / 10 英尺。
- 请勿将燃油箱完全加满油。热量会使燃油膨胀。为燃油箱顶部保留一定的空间。

维护安全须知



警告： 请在使用本产品前阅读下面的警告说明。

- 引擎排出的废气中含有一氧化碳，这是一种极危险的无味有毒气体。切勿在室内或密闭空间中启动引擎。
- 在对本产品进行任何维护之前，务必先将引擎熄火，并将点火线从火花塞拆下。
- 维护切割设备时，请戴上保护手套。刀片非常锋利，很容易造成割伤。
- 未经制造商批准加装附件或改动产品可能导致严重的伤害或死亡。切勿改动本产品。始终使用获得制造商批准的零件。
- 如未正确和定期地进行维护，导致伤害的风险和损坏产品的风险将会增加。
- 只能进行此用户手册所述的维护工作。所有其他保养操作必须由许可的 Husqvarna 保养厂完成。
- 由许可的 Husqvarna 保养厂定期对本产品进行保养。
- 更换已经损坏、磨损或破损的零件。

安装

简介



警告： 在安装本产品之前，您必须阅读并理解安全章节。



警告： 安装产品之前，先拆下火花塞中的火花塞电缆。

装配和调整手柄

1. 从上手柄的板上拆下手柄螺母和垫片。
2. 将上手柄在下手柄顶部放置到位。

3. 装上垫片和手柄螺母。(图 18)
4. 当您在墙壁附近操作本产品时，请将手柄转到侧面以获得良好的操作位置。(图 19)
5. 转动底盘上的调整轮以垂直调整手柄。(图 20)

装配地面覆盖插件 (KLIPPO LB 448S, KLIPPO LB 448SQ, KLIPPO LB 548SQe)

1. 使火花塞朝上，向后倾斜产品。
2. 从切割防护盖内侧将地面覆盖插件的销置于孔中。(图 21)
3. 从切割防护盖的外侧为地面覆盖插件安装螺钉。(图 22)



小心： 确保电线未被卡住或损坏。

操作

引言



警告： 在使用本产品之前，您必须阅读并理解安全章节。

Husqvarna Connect

Husqvarna Connect 是一款可在移动设备上免费使用的应用程序。Husqvarna Connect 应用程序可为您的 Husqvarna 产品提供扩展功能：

- 扩展产品信息。
- 关于帮助、产品零件和保养的信息。

开始使用 Husqvarna Connect

1. 将 Husqvarna Connect 应用程序下载至您的移动设备。
2. 在 Husqvarna Connect 应用程序中注册。
3. 执行 Husqvarna Connect 应用程序中的说明步骤以连接并注册产品。

操作产品之前

1. 请认真阅读本说明书，确保您充分理解各项说明。
2. 检查切割设备，确保其连接正确且调整得当。请参阅 *润滑切割设备在第 393 页上*。
3. 加注燃油箱。请参阅 *添加燃油在第 391 页上*。
4. 加注机油箱并检查机油油位。请参阅 *检查油位在第 393 页上*。

添加燃油

如果可行，请使用低排放/烷基化汽油。如果没有低排放/烷基化汽油，可使用优质无铅汽油或辛烷值不低于 90 的含铅汽油。



小心：切勿使用辛烷值低于 90 RON (87 AKI) 的汽油。这可能导致损坏产品。

1. 缓慢打开燃油箱盖以释放压力。
2. 用燃油罐慢慢加油。如果有燃油溅出，请用布擦拭，然后让剩余的燃油挥发掉。(图 23)
3. 将燃油箱盖四周清理干净。
4. 完全拧紧燃油箱盖。如果燃油箱盖没有拧紧，则有失火的风险。
5. 启动之前，将产品从加油位置移开至少 3 m (10 ft)。

设置修剪高度

修剪高度有 6 个可调级别。

1. 向前移动修剪高度调节杆，以增加修剪高度。
2. 向后移动修剪高度调节杆，以降低修剪高度。



小心：切勿将修剪高度设置得太低。如果草坪表面不平，刀片可能会碰到地面。

简介



警告：进行维护之前，您必须先阅读并理解安全须知章节。

要对本产品执行任何保养和维修工作，都需要经过专门培训。我们承诺提供专业的维修和保养。如果您的经销商不是保养代理商，请联系该经销商以获取离您最近的保养代理商的信息。

启动产品

1. 确保将点火线连接至火花塞中。
2. 打开燃油阀。(图 24)
3. 站在本产品后面。
4. 握住引擎制动手柄，使其紧靠手柄杆。(图 25)
5. 用右手握住启动绳把手。
6. 慢慢拉出启动绳，直到感觉到有阻力。
7. 用力拉启动绳，以启动引擎。



警告：切勿将启动器绳绕在手上。



小心：切勿完全放开启动绳。当启动绳拉出时，切勿放开启动绳把手。

使用车轮上的驱动装置

- 向下推驱动杆。(图 26)
- 在向后拉动产品之前，松开驱动装置，然后将产品向前推动约 10 厘米。
- 将引擎制动手柄松开一段距离以脱离驱动装置，例如，当您靠近障碍物时。

关闭产品

- 要仅停止驱动装置，将引擎制动手柄松开一段距离。
- 要将引擎熄火，请完全松开引擎制动手柄。
- 关闭燃油阀。(图 27)

为获得良好的作业效果

- 务必使用锐利的刀片。钝刀片会产生不规则的结果，且草的切割表面会变黄。此外，锐利的刀片比钝刀片更加节能。
- 修剪高度不得超过草长的 $\frac{1}{3}$ 。从较高的修剪高度开始切割。检查结果，将修剪高度降低到合适的水平。如果草非常长，请缓慢前进，必要时切割 2 次。
- 每次的修剪方向不应相同，以防止草坪上出现条纹。
- 保持切割防护盖干净。切割防护盖内侧积聚草和污垢会降低切割效果。请参阅 *清洁本产品的外部在第 392 页上*。

维护

有关更多详细信息，请参阅 www.husqvarna.com。

维护时间表

维护间隔是在每天都使用本产品的情况下计算得出的。如果并非每天都使用本产品，维护间隔会有所不同。

有关带有 * 标记的维护，请参阅中的说明 *产品上的安全装置在第 389 页上*。

维护	每天	每周	每月
执行一般性检查	X		
检查机油油位	X		
清洁本产品	X		
清洁空气滤清器	X		
检查切割设备	X		
检查切割防护盖*	X		
检查引擎制动手柄*	X		
检查消音器*		X	
检查火花塞		X	
检查驱动皮带是否损坏			X
清洁齿轮箱			X
对于 KLIPPO LB 448S, KLIPPO LB 453S, 更换机油 (使用 5 小时后首次更换, 之后每使用 25 小时后及每年更换一次)			X
对于 KLIPPO LB 448SQ, KLIPPO LB 453SQ, KLIPPO LB 548SQe, 更换机油 (使用 5 小时后首次更换, 之后每使用 100 小时后及每年更换一次)			X
更换空气滤清器			X
检查燃油系统			X
检查并调整驱动器 (离合器导线)			X

进行一般性检查

- 确保产品上的所有螺母和螺丝都已正确上紧。

清洁本产品的外部

- 用刷子清除树叶、草和污垢。
- 确保引擎顶部的进气口畅通无阻
- 不要使用高压清洗机清洁产品。
- 如果用水清洁本产品, 切勿用水直接冲洗引擎。

清洁切割防护盖的内表面

1. 将本产品侧放, 消音器朝下。



小心： 如果以空气滤清器朝下的方式放置本产品, 可能导致引擎损坏。

2. 用水冲洗切割防护盖的内表面。

检查驱动皮带并清洁齿轮箱

1. 拆下皮带防护罩上的 4 个螺钉, 拆下皮带防护罩。(图 28)
2. 检查驱动皮带和皮带滑轮是否损坏。
3. 用刷子清除齿轮箱中的树叶、草和污垢。(图 29)

更换并调节驱动皮带

1. 拆下皮带防护罩上的 4 个螺钉, 拆下皮带防护罩。(图 28)
2. 将平头螺丝刀放在罩盖和产品右前轮上的轮之间。
3. 小心地旋转螺丝刀, 拆下罩盖。
4. 拆下车轮螺栓并拆下车轮。(图 30)
5. 从皮带滑轮上取下驱动皮带。
6. 确保皮带滑轮可以在轴上顺畅移动。
7. 如果需要, 在皮带滑轮之间和后部喷洒渗透润滑油, 并润滑轴。
8. 安装新的驱动皮带, 并将其正确安装在球轴承处, 然后再调整驱动皮带。(图 31)
9. 向上或向下移动球轴承, 以调整驱动皮带。(图 32)

注意： 新的驱动皮带在使用后会变长。运行数小时, 再次调整驱动皮带。

10. 安装皮带防护罩。
11. 操作产品, 确保驱动皮带正确安装和调整。

更换并调节中间皮带

1. 拆下刀片。

注意： 如果仅调节中间皮带，则无需执行此步骤。

2. 将调整螺钉拧松几圈，但不要将其取下。(图 33)
3. 更换中间皮带并适当地拧紧调整螺钉。

注意： 如果仅调节中间皮带，则无需执行此步骤。

4. 向前或向后移动齿轮，以调整中间皮带。(图 34)
5. 使用吊钩检查中间皮带的张力。如果皮带可以在中间移动 6–10 mm，则张力正确。这相当于 3 kg 的拉力。(图 35)
6. 用 3 Nm 扭矩拧紧调整螺钉。
7. 操作产品，确保驱动皮带正确安装和调整。

润滑切割设备



警告： 为防止意外启动，请将点火线从火花塞上拆下。



警告： 维护切割设备时，请戴上保护手套。刀片非常锋利，很容易造成割伤。

1. 检查切割设备是否有损坏或裂痕。务必更换损坏的切割设备。
2. 检查刀片，查看是否损坏或变钝。

注意： 每次磨利刀片后，必须对刀片进行平衡调整。让维修中心磨利、更换和平衡刀片。如果您撞到障碍物并导致本产品停止运行，请更换损坏的刀片。让维修中心评估刀片能否磨利还是必须更换。

更换刀片

1. 使用木块卡住刀片。(图 36)
2. 拆下刀片螺栓、弹簧垫片和刀片。(图 37)
3. 检查刀片支架和刀片螺栓是否损坏。
 - a) 如果更换刀片或刀片支架，则还要更换刀片螺栓、弹簧垫片和摩擦垫片。
4. 检查发动机轴，确保其未弯曲。
5. 安装新刀片时，确保弯曲端指向切割防护盖的方向。(图 38)
6. 将摩擦垫片和刀片紧靠在刀片支架上。(图 39)
7. 确保刀片与引擎轴中心对准。(图 40)
8. 使用木块卡住刀片。(图 41)
9. 安装弹簧垫片，并拧紧螺栓至扭矩为 80 Nm。(图 42)
10. 用手拉住刀片旋转，确保刀片转动自如。



警告： 使用防护手套。刀片非常锋利，很容易割到手。

11. 启动本产品以测试刀片。如果刀片未正确安装，则本产品中存在振动，或切割结果令人不满意。

检查油位



小心： 如果油位过低，可能导致引擎损坏。启动本产品之前，请先检查油位。

1. 将本产品置于平坦地面上。
2. 将机油箱盖与连接的油尺一起拆下。
3. 清洁油尺上的机油。
4. 将油尺完全放到机油箱中。拧紧机油箱盖，以确保获得正确的油位。
5. 取出油尺。
6. 检查油尺上的油位。
7. 如果油位过低，加注引擎油后再次检查油位。

(图 43)

注意： 请使用漏斗，以防止漏油。

更换引擎油



警告： 引擎刚停止运行时，引擎油的温度会非常高。待引擎冷却后再排空引擎油。如果引擎油溅在皮肤上，请用肥皂和水清洗。

(图 44)

1. 从火花塞上拆下点火线。
2. 拧下机油箱盖。
3. 排空引擎油。
 - a) 对于带放油塞的型号：在放油塞下方放一个容器，以收集引擎油。
 - b) 对于不带放油塞的型号，或者无法在放油塞下方放置容器：使用油泵（附件）从机油箱中排出引擎油。
4. 加注中推荐的相应类型的新引擎油 *技术参数* 在第 395 页上。
5. 检查油位。请参阅 *检查油位* 在第 393 页上。

空气滤清器

注意： 使用时间较长的空气滤清器可能无法彻底清洁。定期更换空气滤清器。务必更换损坏的空气滤清器。

拆卸和安装空气滤清器 (KLIPPO LB 488SQ, KLIPPO LB 453SQ, KLIPPO LB 548Qe)



警告： 使用防护手套。

1. 将卡夹按压到空气滤清器外壳上。
2. 从引擎上小心地拆下空气滤清器外壳 (A)。
3. 拆下空气滤清器 (B) 和泡沫滤网 (C)。 (图 45)
4. 检查空气滤清器是否损坏。更换损坏的空气滤清器。
5. 清洁并检查空气滤清器。请参阅 *清洁空气滤清器 (KLIPPO LB 448SQ, KLIPPO LB 453SQ, KLIPPO LB 548Qe)* 在第 394 页上。
6. 按照相反的顺序安装。

清洁空气滤清器 (KLIPPO LB 448SQ, KLIPPO LB 453SQ, KLIPPO LB 548Qe)



小心： 如果未安装空气滤清器或空气滤清器脏污，则请勿运行引擎。



小心： 如果无法彻底清洁空气滤清器或空气滤清器已损坏，则将其更换。空气滤清器损坏会造成引擎损坏。

1. 推动门锁卡舌 (A)，拆下空气滤清器外壳 (B)，然后取出空气滤清器 (C)。 (图 46)
2. 将空气滤清器扣击硬表面或用压缩空气从空气滤清器的清洁侧吹扫。



小心： 请勿使用刷子清除灰尘，因为这样会使灰尘进入空气滤清器中。

3. 用湿布清洁空气滤清器支架 (D) 和空气滤清器外壳。



小心： 确保没有灰尘进入空气管 (E)。

4. 安装空气滤清器。确保空气滤清器完全密封在空气滤清器支架上。
5. 安装空气滤清器外壳，首先安装底部卡舌。

清洁空气滤清器 (KLIPPO LB 448S, KLIPPO LB 453S)



小心： 如果未安装空气滤清器或空气滤清器脏污，则请勿运行引擎。



小心： 如果无法彻底清洁空气滤清器或空气滤清器已损坏，则将其更换。空气滤清器损坏会造成引擎损坏。

1. 推动门锁卡舌 (A)，拆下空气滤清器外壳 (B)，然后取出空气滤清器 (C)。 (图 47)
2. 将空气滤清器扣击硬表面或用压缩空气从空气滤清器的清洁侧吹扫。



小心： 请勿使用刷子清除灰尘，因为这样会使灰尘进入空气滤清器中。

3. 用湿布清洁空气滤清器支架 (D) 和空气滤清器外壳。



小心： 确保没有灰尘进入空气管 (E)。

4. 安装空气滤清器。确保空气滤清器完全密封在空气滤清器支架上。
5. 安装空气滤清器外壳，首先安装底部卡舌。

检查火花塞



小心： 务必使用建议的火花塞类型。火花塞类型不正确可能导致产品损坏。

- 如果引擎动力不足，请检查火花塞是否不容易启动或者怠速时是否运行不正确。
- 为降低在火花塞电极上出现多余物质的风险，请遵循这些说明：
 - a) 确保已正确调节怠速。
 - b) 确保混合燃油正确。
 - c) 确保空气滤清器清洁。
- 如果火花塞脏污，请进行清洁并确保电极间隙正确，请参阅 *技术参数* 在第 395 页上。 (图 48)
- 必要时请更换火花塞。

检查燃油系统

- 检查燃油箱盖和燃油箱盖的密封，确保没有损坏。
- 检查油管，确保不漏油。如果油管损坏，请让保养厂进行更换。

调节离合器拉线

如果感觉驱动速度很慢，则需要调节离合器拉线。

- 转动调节螺钉。 (图 49)

离合器拉线支架与螺母对齐时，离合器拉线正确调整。 (图 50)

运输、存放和废弃处理

运输及存放

- 存放和运输产品和燃油时，确保不存在泄漏或烟雾。火花或明火（例如来自电气设备或锅炉等）可能引发火灾。
- 务必使用获得批准的容器存放和运输燃油。
- 将产品长期存放前，先清空燃油箱。在适当的处置地点处理燃油
- 在运输过程中安全地固定产品，以防止损坏和发生事故。
- 将产品放在上锁的区域，以防止儿童或他人擅自触碰。

- 将本产品存放在干燥、防冻的区域。

废弃处理

- 遵守当地的回收要求和适用的法规。
- 在服务中心或适当的处置地点处理所有化学品，如机油或燃油。
- 当产品不再可用时，将其发送给 Husqvarna 经销商或送至回收点处理。

技术参数

技术参数

	KLIPPO LB 448S	KLIPPO LB 448SQ	KLIPPO LB 453S	KLIPPO LB 453SQ	KLIPPO LB 548SQe
引擎					
品牌	Honda	Husqvarna	Honda	Husqvarna	Husqvarna
型号	GCVX-145	HS 166AP	GCVx-170	HS 166AP	HS 166AP
引擎类型	单缸，4 冲程，强制风冷，顶置气门 (OHV)	单缸，4 冲程，强制风冷，顶置气门 (OHV)	单缸，4 冲程，强制风冷，顶置气门 (OHV)	单缸，4 冲程，强制风冷，顶置气门 (OHV)	单缸，4 冲程，强制风冷，顶置气门 (OHV)
排量，cm ³	145	166	166	166	166
转速，rpm	2900	2900	2900	2900	2900
标称引擎输出，kW ¹⁴¹	2.7	2.75	3.3	2.75	2.75
点火系统					
火花塞	NGK BPR5ES	Husqvarna HQT-7	NGK BPR5ES	Husqvarna HQT-7	Husqvarna HQT-7
电极间隙，mm	0.7-0.8	0.7-0.8	0.7-0.8	0.7-0.8	0.7-0.8
燃油和润滑系统					
引擎润滑类型	飞溅	飞溅	飞溅	飞溅	飞溅
燃油箱容量，升	0.9	1.5	0.9	1.5	1.5
机油箱容量，升	0.5	0.5	0.55	0.5	0.5

¹⁴¹ 所标注的引擎功率额定值是指引擎型号对应的典型生产引擎在指定转速下的平均净输出功率，是根据 SAE 标准 J1349/ISO1585 测得。批量生产引擎的该数值可能有所不同。最终产品中所安装引擎的实际功率输出取决于运行速度、环境条件及其他值。

	KLIPPO LB 448S	KLIPPO LB 448SQ	KLIPPO LB 453S	KLIPPO LB 453SQ	KLIPPO LB 548SQe
引擎油 ¹⁴²	Husqvarna SAE 30	Husqvarna SAE 30	Husqvarna SAE 30/SAE 10W-30	Husqvarna SAE 30/SAE 10W-30	Husqvarna SAE 30/SAE 10W-30
重量					
(油箱均排空时) , kg	30.5	32.5	33	33.5	34.5
噪音排放 ¹⁴³					
声功率级测量值 , dB (A)	90	93	91	94	92
声功率级保证值 L _{WA} , dB(A)	91	93	94	95	93
声压级 ¹⁴⁴					
操作员耳旁声压级 , dB (A)	77	79	78	81	79
振级 , a _{hveq} ¹⁴⁵					
手柄 , m/s ²	4.5	4.2	5.3	6.4	4.0
切割设备					
修剪高度 , mm	30-60	30-60	30-60	30-60	30-60
修剪宽度 , mm	480	480	530	530	480
刀片	地面覆盖插件 - 48 cm 5028813-10	地面覆盖插件 - 48 cm 5028813-10	地面覆盖插件 - 53 cm 5028814-10	地面覆盖插件 - 53 cm 5028814-10	地面覆盖插件 - 48 cm 5028813-10
驱动					
速度 , km/h	4.5	4.5	4.5	4.5	4.5

¹⁴² 如果在低于 +5 °C 的温度下使用 SAE-30 机油，存在无法充分润滑引擎的风险。这会损坏引擎。请参阅 [更换引擎油](#) 在第 393 页上 以了解适合在低温下使用的机油。

¹⁴³ 环境噪音排放以声功率 (L_{WA}) 测量，符合 EC 指令 2000/14/EC 的要求。

¹⁴⁴ 噪音声压级符合 ISO 5395 标准。噪音声压级的报告数据中具有 1.2 dB(A) 的典型统计公差 (标准偏差) 。

¹⁴⁵ 振级符合 ISO 5395 标准。振级的报告数据中具有 0.2 m/s² 的典型统计公差 (标准偏差) 。

一致性声明

欧盟一致性声明

我们 Husqvarna AB (地址 : SE-561 82 Huskvarna , Sweden , 电话 : +46-36-146500) 谨此声明 , 本产品 :

描述	割草机
品牌	Husqvarna
类型/型号	KLIPPO LB 448S, KLIPPO LB 453S, KLIPPO LB 448SQ, KLIPPO LB 453SQ, KLIPPO LB 548SQe
标识	2022 及以后的序列号

完全符合以下欧盟指令和法规的要求 :

指令/法规	描述
2006/42/EC	"关于机械"
2014/30/EU	"关于电磁兼容性"
2000/14/EC	"关于环境噪音排放"
2011/65/EU	"关于在电气和电子设备中限制使用某些有害物质的指令"

并适用以下标准和/或技术规格 : EN ISO 5395-1:2013/A1:2018, EN ISO 5395-2:2013/A1:2016/A2:2017, EN ISO 14982:2009, EN IEC 63000:2018。

认证机构 : 0404, RISE SMP Svensk Maskinprovning AB, Box 4053, SE-904 03 Umeå, Sweden. 已对上述产品进行了认证, 遵循的认证流程为欧洲理事会指令 2000/14/EC 的合规评估流程 : 附录 VI。

有关噪音排放的信息, 请参阅 *技术参数* 在第 395 页上。

Huskvarna, 2023-02-07



Claes Losdal, Husqvarna AB 园艺产品开发经理

技术文档负责人



Husqvarna®

www.husqvarna.com

Original instructions
Оригинални инструкции
Původní pokyny
Originale instruktioner
Originalanweisungen
Αρχικές οδηγίες
Instrucciones originales
Originaaljuhend
Alkuperäiset ohjeet
Instructions d'origine

Originalne upute
Eredeti útmutatás
Istruzioni originali
取扱説明書原本
Originalios instrukcijos

Lietošanas pamācība
Originale instructies
Originale instruksjoner
Oryginalne instrukcje
Instruções originais
Instrucțiuni inițiale
Оригинальные инструкции
Pôvodné pokyny
Izvirna navodila
Originalna uputstva
Bruksanvisning i original
Orjinal talimatlar
Оригинальні інструкції
原始说明



1142948-38



2023-07-13