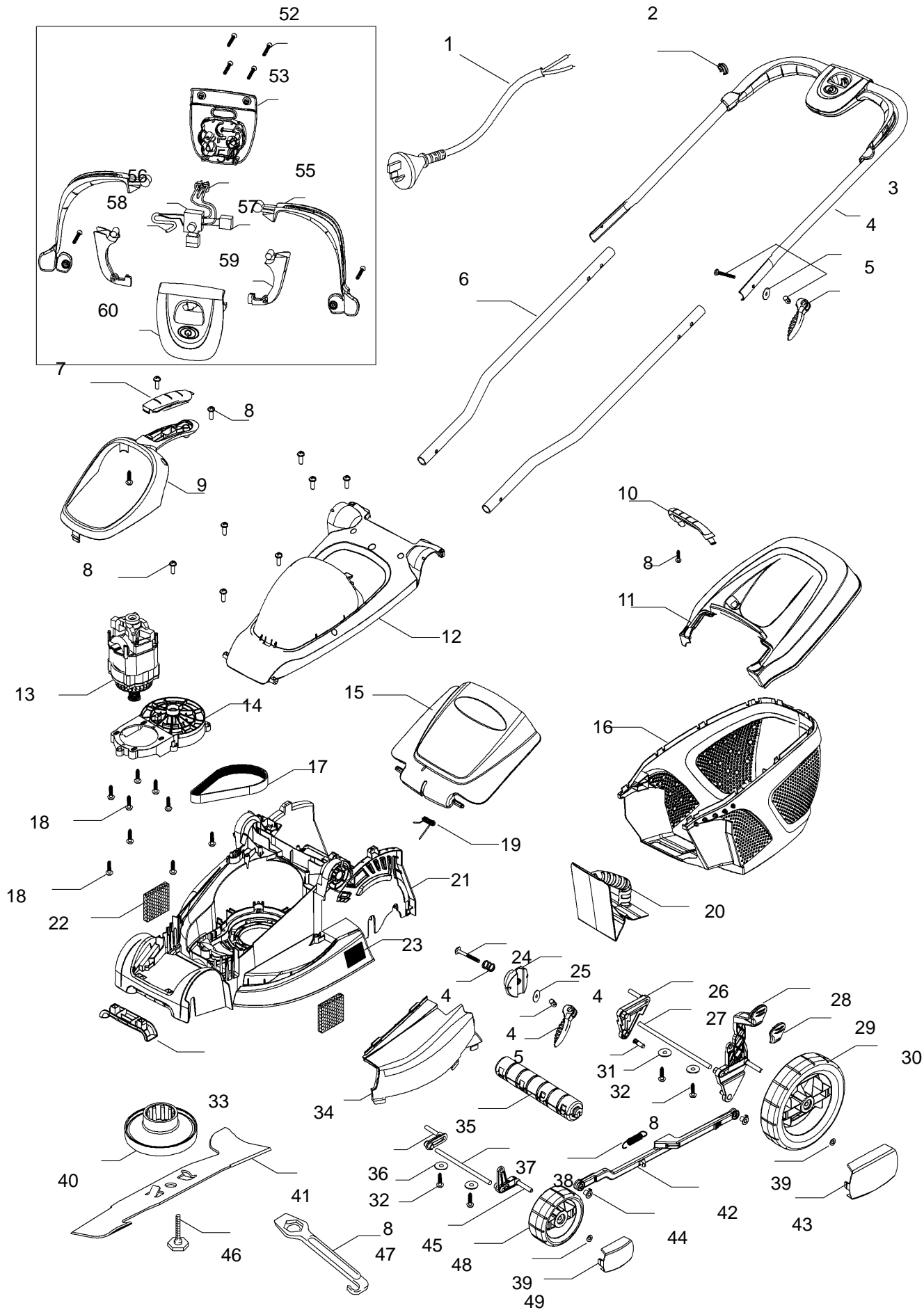


IPL Flymo Multimo 360 9669592-40 9669592-41 9664807-62 9664807-99 2010-06  
Replaces AP0909002



IPL Flymo Multimo 360 9669592-40 9669592-41 9664807-62 9664807-99 2010-06

Item	PNC	Description	Qty	Notes
1	5131253-00	MAINS LEAD	1	AUS
2	5138574-00	CABLE CLIP	2	
3	5053302-01	HANDLE UPPER	1	
4	5107217-02	FIXING KIT (NEW WHEELS)	1	
5	5107393-00	CAM LOCK	4	
6	5108057-68	HANDLE LOWER	2	
7	5107910-68	HANDLE INSERT	1	
8	5107229-01	SCREW 6 SPLINE 5MM DIA	14	
9	5107809-00	HANDLE MOTOR COWL VISI TYPE	1	
10	5050208-01	HANDLE ASSY GRASSBOX	1	
11	5107813-00	LID GRASSBOX	1	
12	5107808-00	COWL MOTOR	1	
13	5052091-02	MOTOR ASSY	1	
14	5107636-00	DRIVE ASSY CENTRIFUGAL RC	1	
15	5742584-01	FLAP SAFETY	1	
16	5052093-01	GRASSBOX LOWER ASSY	1	
17	5755026-01	BELT J6	1	
18	5131191-00	SCREW-CAP WASHER 6 SPLINE	9	
19	5054743-01	SPRING TORSION	1	
20	5100690-01	MULCH PLUG	1	
21	5742585-68	DECK	1	
22	5253007-01	FILTER-FLAME RETARDANT	2	
23	5054744-01	LABEL WARNING (ELECTRIC)	1	
24	5148859-04	BOLT SQUARE HD	2	
25	5108039-00	BLOCK PIVOT	2	
26	5743828-01	SPACER AXLE REAR RH	1	
27	5743832-01	AXLE REAR 36/34CM	1	
28	5052092-02	HEIGHT ADJUST ARM ASSY	1	Inc Item 29
29	5108046-64	COVER PLATE HGHT ADJUST	1	
30	5107830-00	WHEEL MOULDING (DIA 254MM)	2	
31	5107634-00	PIN ROLLER	2	
32	5139189-00	WASHER (PLAIN) (6936501)	4	
33	5107816-68	HANDLE GRIP FRONT GREY	1	
34	5107807-00	COVER PLATE HEIGHT ADJUST	1	
35	5052094-01	ROLLER ASSY	1	
36	5743826-01	SPACER AXLE FRONT RH	1	
37	5743831-01	AXLE FRONT 36/34CM	1	
38	5108051-00	SPRING COUNTER BALANCE	1	
39	5149680-00	10MM STARLOCK WASHER	4	
40	5107826-00	IMPELLER ADAPTOR	1	
41	5219473-90	BLADE 36CM	1	
42	5107817-00	ROD LINK	1	
43	5107831-00	HUB CAP (DIA 254MM)	2	
44	5131091-00	PIN PIVOT	2	
45	5743827-01	SPACER AXLE FRONT LH	1	
46	5107779-00	BLADE BOLT ASSY (BLACK)	1	
47	5107780-64	SPANNER PLASTIC - ORANGE	1	
48	5107827-00	WHEEL MOULDING ( DIA 150)	2	
49	5107828-00	HUB CAP ( DIA 150)	2	
52	5107796-00	SCREW POLYMATE NO.6x19 6Spline	6	
53	5227218-01	SWITCHBOX LOWER AUS	1	AUS
53	5227217-01	SWITCHBOX LOWER EU	1	EU
54	5131117-00	EURO PIN RETAINER	1	EU
55	5227215-01	LEVERS (PAIR)	1	
56	5227209-01	SWITCH (RED CAP)	1	
57	5131216-00	CAPACITOR	1	
58	5227211-01	INTERNAL LEAD	1	
59	5227214-01	ACTUATORS (PAIR)	1	
60	5227208-01	SWITCHBOX UPPER	1	WITH BUTTON